



BSI Standards Publication

**Plastics piping systems
— Thermoplastics pipes
and fittings for hot and
cold water — Test method
for the resistance of
mounted assemblies to
temperature cycling**

National foreword

This British Standard is the UK implementation of ISO 19893:2011.

The UK participation in its preparation was entrusted to Technical Committee PRI/88/4, Test Methods - Plastic Piping.

A list of organizations represented on this committee can be obtained on request to its secretary.

This publication does not purport to include all the necessary provisions of a contract. Users are responsible for its correct application.

© The British Standards Institution 2012

ISBN 978 0 580 64383 5

ICS 23.040.20; 23.040.45

Compliance with a British Standard cannot confer immunity from legal obligations.

This British Standard was published under the authority of the Standards Policy and Strategy Committee on 31 January 2012.

Amendments issued since publication

Date	Text affected
------	---------------

INTERNATIONAL STANDARD

ISO
19893

First edition
2011-12-15

Plastics piping systems — Thermoplastics pipes and fittings for hot and cold water — Test method for the resistance of mounted assemblies to temperature cycling

Systèmes de canalisations en plastique — Tubes thermoplastiques et raccords pour eau chaude et froide — Méthode d'essai de la résistance des assemblages à des cycles de température



Reference number
ISO 19893:2011(E)



COPYRIGHT PROTECTED DOCUMENT

© ISO 2011

All rights reserved. Unless otherwise specified, no part of this publication may be reproduced or utilized in any form or by any means, electronic or mechanical, including photocopying and microfilm, without permission in writing from either ISO at the address below or ISO's member body in the country of the requester.

ISO copyright office
Case postale 56 • CH-1211 Geneva 20
Tel. + 41 22 749 01 11
Fax + 41 22 749 09 47
E-mail copyright@iso.org
Web www.iso.org

Published in Switzerland

Foreword

ISO (the International Organization for Standardization) is a worldwide federation of national standards bodies (ISO member bodies). The work of preparing International Standards is normally carried out through ISO technical committees. Each member body interested in a subject for which a technical committee has been established has the right to be represented on that committee. International organizations, governmental and non-governmental, in liaison with ISO, also take part in the work. ISO collaborates closely with the International Electrotechnical Commission (IEC) on all matters of electrotechnical standardization.

International Standards are drafted in accordance with the rules given in the ISO/IEC Directives, Part 2.

The main task of technical committees is to prepare International Standards. Draft International Standards adopted by the technical committees are circulated to the member bodies for voting. Publication as an International Standard requires approval by at least 75 % of the member bodies casting a vote.

Attention is drawn to the possibility that some of the elements of this document may be the subject of patent rights. ISO shall not be held responsible for identifying any or all such *patent rights*.

ISO 19893 was prepared by Technical Committee ISO/TC 138, *Plastics pipes, fittings and valves for the transport of fluids*, Subcommittee SC 5, *General properties of pipes, fittings and valves of plastic materials and their accessories — Test methods and basic specifications*.

Plastics piping systems — Thermoplastics pipes and fittings for hot and cold water — Test method for the resistance of mounted assemblies to temperature cycling

1 Scope

This International Standard specifies a method for testing the resistance to temperature cycling of joints for piping systems with rigid or flexible thermoplastics pipes.

It is applicable to thermoplastics piping systems intended to be used in hot and cold water pressure applications.

2 Principle

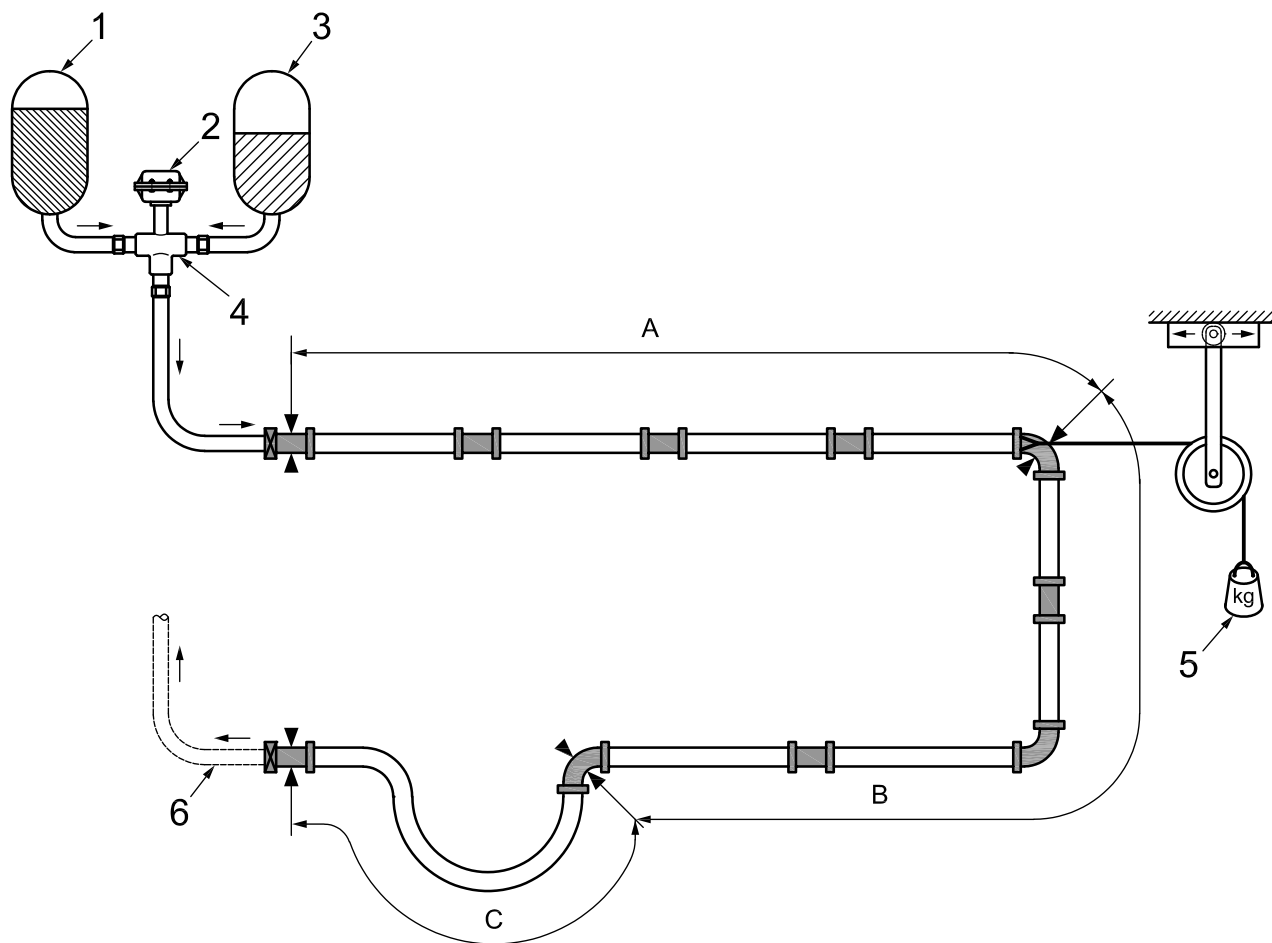
A test assembly of pipes and fittings (see Figure 1) is subjected to temperature cycling by the passage of water under pressure using hot and cold water alternately, for a specified number of cycles.

While being subjected to temperature cycling, parts of the assembly of pipes and fittings are maintained under tensile stress and/or flexural strain using static clamps.

During and after the test, the assembly is monitored for signs of leakage.

NOTE It is assumed that the following test parameters are set by the reference product standard (i.e. the standard making reference to this International Standard):

- a) the test temperatures (see 3.1, 3.2 and 6.1);
- b) the duration of a complete cycle and each part of the cycle (see 3.1, 3.2 and 6.1);
- c) the test pressure (see 3.6 and 6.1);
- d) the tensile stress (see 3.8 and 5.3);
- e) the bending radius (see Clause 4 and Figures 1 and 2);
- f) the total number of cycles, including the first five cycles (see 6.2 and 6.3).



Key

- | | |
|-------------------------|--|
| 1 hot water reservoir | 6 return pipe to reservoir (alternative test assembly) |
| 2 alternation equipment | A branch A (anchored section) |
| 3 cold water reservoir | B branch B (section free to expand and contract) |
| 4 balancing valves | C branch C (bent pipe section) |
| 5 tensioning device | |

Figure 1 — Test assembly of temperature cycling test

3 Apparatus

3.1 Cold water source, capable of all of the following:

- a) supplying the water volume necessary to maintain the temperature variation throughout the test piece within the specified maximum difference (see 6.2);
- b) supplying this water at the lowest temperature specified in the reference product standard with an accuracy of $\pm 2^\circ\text{C}$;
- c) supplying this water for the duration of at least each cycle as specified in the reference product standard. If not specified otherwise in the reference product standard, to an accuracy of the duration time of ${}^+1_0$ minute(s).

3.2 Hot water source, capable of all of the following:

- a) supplying the water volume necessary to achieve the required water velocity (see 6.2);
- b) supplying this water at the highest temperature specified in the reference product standard to an accuracy of $\pm 2^{\circ}\text{C}$;
- c) supplying this water for the duration of at least each cycle as specified in the reference product standard. If not specified otherwise in the reference product standard, to an accuracy of the duration time of ${}^+1_0$ minute(s).

3.3 Balancing valves, capable of regulating the water velocity as necessary to maintain the temperature variation throughout the test piece within the specified maximum difference (see 6.2).

3.4 Alternation equipment, capable of achieving each change in hot and cold water temperatures at the inlet within 1 min.

3.5 Thermometer(s), capable of checking conformity to the specified test temperatures (see 3.1, 3.2 and 6.2).

3.6 Pressure gauge(s) and a device, for regulating the water pressure in the test assembly at the pressure specified in the reference product standard to an accuracy of $\pm 0,5 \text{ bar}^1$ ($\pm 0,05 \text{ MPa}$), except for brief pressure spikes, which can occur if the temperature of water is changed.

3.7 Supporting brackets, as appropriate, comprising anchor brackets (fixed points) capable of restraining piping components and guide brackets, capable of supporting piping components without inhibiting longitudinal movement (see Clause 5 and Figure 1).

3.8 Tensioning device, capable of applying the required initial tensile stress (see 5.3).

NOTE This is to simulate stress which can be induced in any fixed pipe section as a result of contraction caused by cooling to temperatures below those prevailing during installation.

4 Test assembly

The test assembly shall comprise an assembly of pipes and fittings jointed and clipped in accordance with Figure 2 and the manufacturer's recommended practice, except as follows.

If, while following the manufacturer's recommended practice, the pipe cannot be bent to the configuration shown for branch C in Figure 2, for instance, because of the material, wall thickness and/or outside diameter of the pipe, branch C shall conform to Figure 3.

The test assembly as shown in Figure 2 shall include the following:

- a) for branch A: at least three prestressed pipes linked by straight connectors, stressed in accordance with 5.3, where the free length of such combination shall be $(3\ 000 \pm 100)$ mm;
- b) for branch B: at least two straight pipes, each free to move and having a minimum free length of (300 ± 10) mm;
- c) for branch C: at least one bend (see Figure 2 or 3, as appropriate) supported by ends. The free length of pipe shall either be in the range of $27d_n$ to $28d_n$, where d_n is the nominal diameter of the pipe or alternatively, shall have a length which enables the minimum pipe bending radius, as stated by the manufacturer, to be formed. Unless specified by the product standard or agreed between parties, the bending radius shall be $6d_e$.

1) $1 \text{ bar} = 0,1 \text{ MPa} = 10^5 \text{ Pa}$; $1 \text{ MPa} = 1 \text{ N/mm}^2$.

5 Preparation of the test assembly

5.1 If applicable, subject the test assembly to preconditioning in accordance with the recommendations of the manufacturer(s) of piping components and/or the jointing components (e.g. adhesive).

5.2 Condition the test assembly at a room temperature of $(23 \pm 2) ^\circ\text{C}$ for at least 1 h.

5.3 Prestress branch A of the test assembly to the tensile stress specified in the reference product standard and fix in position the free ends of the stressed branch.

EXAMPLE Dimension of the pipe: 32×3 mm.

Tensile stress according to the reference product standard: $\sigma_t = 2 \text{ MPa} = 2 \text{ N/mm}^2$. Equation for the circular ring area:

$$A = 0,25 \times \pi \times [d_n^2 - (d_n - 2e)^2] \quad (1)$$

where

A circular ring area, expressed in square millimetres (mm^2);

d_n outside diameter, expressed in millimetres (mm);

e wall thickness, expressed in millimetres (mm).

$$A = 0,25 \times \pi \times [(32)^2 - (32 - 6)^2] = 273 \text{ mm}^2$$

Equation for the tensile force:

$$F = \sigma_t \times A = 2 \times 273 = 546 \text{ N} \quad (2)$$

This is equal to an applied mass of 56 kg.

Unfasten the fixed straight connector on the downstream side of branch A, charge branch A with the tensile force of 546 N (e.g. with a weight of 56 kg) on a bowden cable. Tighten the fixed straight connector again. From that moment, the pre-stress in branch A is preset and the weight can be removed.

5.4 Fill the test assembly with cold water so that all air is expelled.

6 Procedure

6.1 Start the sequence of cycles, of cold and then hot water, specified in the reference product standard [see b) of the note to Clause 2] under the conditions of pressure and temperatures applicable to the class of service conditions as specified in the reference product standard. The ambient air temperature, $T_{a,\text{air}}$, during the whole testing time shall be: $20 ^\circ\text{C} \leq T_{a,\text{air}} < 35 ^\circ\text{C}$.

Unless specified otherwise in the relevant system standard referring to this particular diameter range, the following settings shall be used for diameters smaller than 63 mm:

— duration of a complete cycle: 30^{+2}_0 minutes;

— duration of the cold cycle: 15^{+1}_0 minutes;

— duration of the hot cycle: 15^{+1}_0 minutes;

— total number of cycles: 5 000.

6.2 Within the first five cycles:

- a) adjust the balancing valve(s) so that for the remainder of the test, during each part of the water cycle where a temperature is to be maintained, the temperature drop between the inlet and the outlet of the test assembly is less than 5 °C;
- b) perform any tightening or adjustment of joints necessary to eliminate any leakage;
- c) adjust the pressure control devices so that for the remainder of the test, the specified test pressure is maintained.

6.3 Throughout and following completion of the number of cycles specified by the reference product standard, inspect all joints for any signs of leakage, e.g. scaling. If leakage occurs, record the type and position of the leakage and when it was observed.

6.4 In the test arrangement for diameters larger than 63 mm (depicted in Figure 4), the cycle times are usually increased in order to maintain a stable and reproducible temperature profile. If problems occur with the temperature control, especially with the alternation time (< 1 min at the inlet) or the constancy of the temperature, alternative durations shall be used. Unless specified otherwise in the relevant system standard referring to this particular diameter range, the following settings shall be used for diameters larger than 63 mm:

- duration of a complete cycle: 60^{+2}_0 minutes;
- duration of the cold cycle: 30^{+1}_0 minutes;
- duration of the hot cycle: 30^{+1}_0 minutes;
- total number of cycles: 2 500.

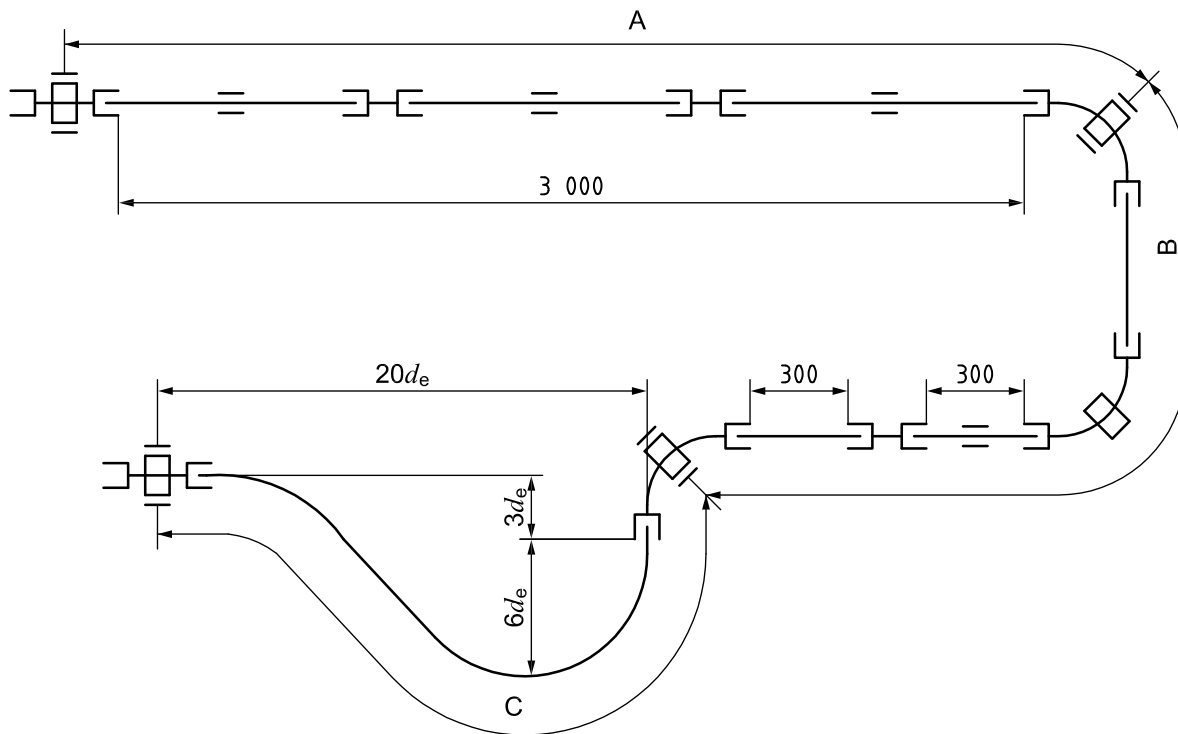
7 Test report

The test report shall include the following information:

- a) a reference to this International Standard, i.e. ISO 19893:2011, and to the reference product standard;
- b) the material and other identification of the components under test, including the class of service condition and the operating pressure;
- c) whether the pipe was flexible or rigid;
- d) the tensile stress in branch A;
- e) the inlet and outlet temperatures (lower and higher temperature of the cycle), in degrees Celsius;
- f) the duration of the complete cycle and each part of the cycle, in minutes;
- g) the total number of complete cycles, (including the first five cycles);
- h) the test pressure, in bars;
- i) signs of leakage, if any, and where and when it occurred;
- j) any factors that can have affected the results, such as any incident or operating details not specified in this International Standard;

- k) the date of test;
- l) minimum, maximum and average ambient air temperature.

Dimensions in millimetres



Key

- A branch A (anchored section)
- B branch B (section free to expand and contract)
- C branch C (cold bent pipe section)

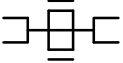
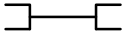
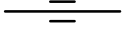
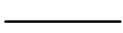
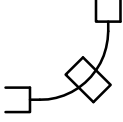
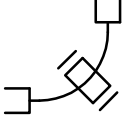
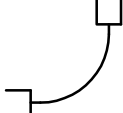
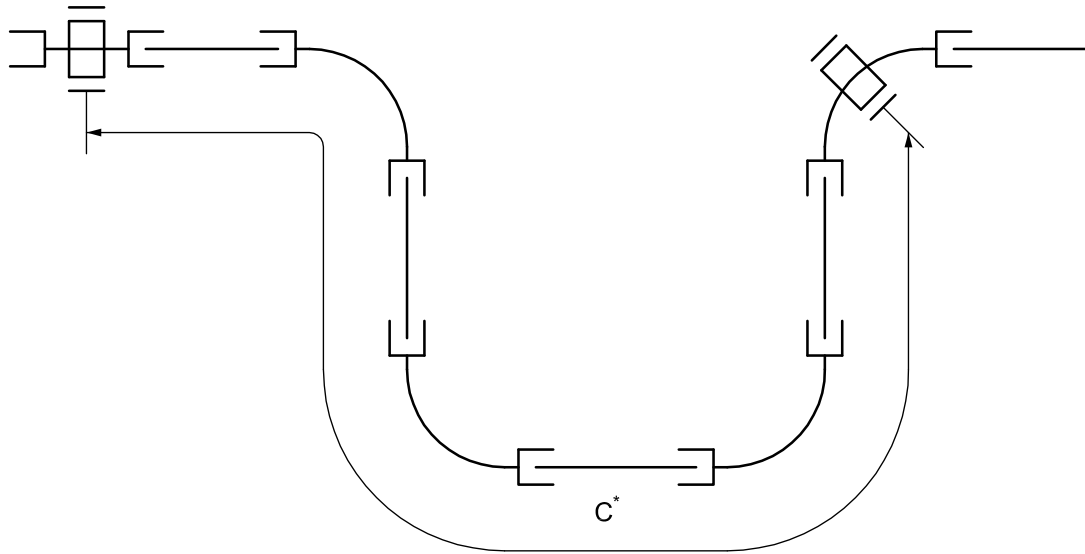
-  fixed straight connector
-  straight connector
-  pipe with guide
-  free pipe
-  supported elbow (moves freely)
-  fixed elbow
-  elbow

Figure 2 — Test arrangement



Key

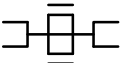
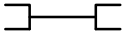

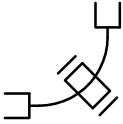
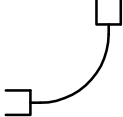
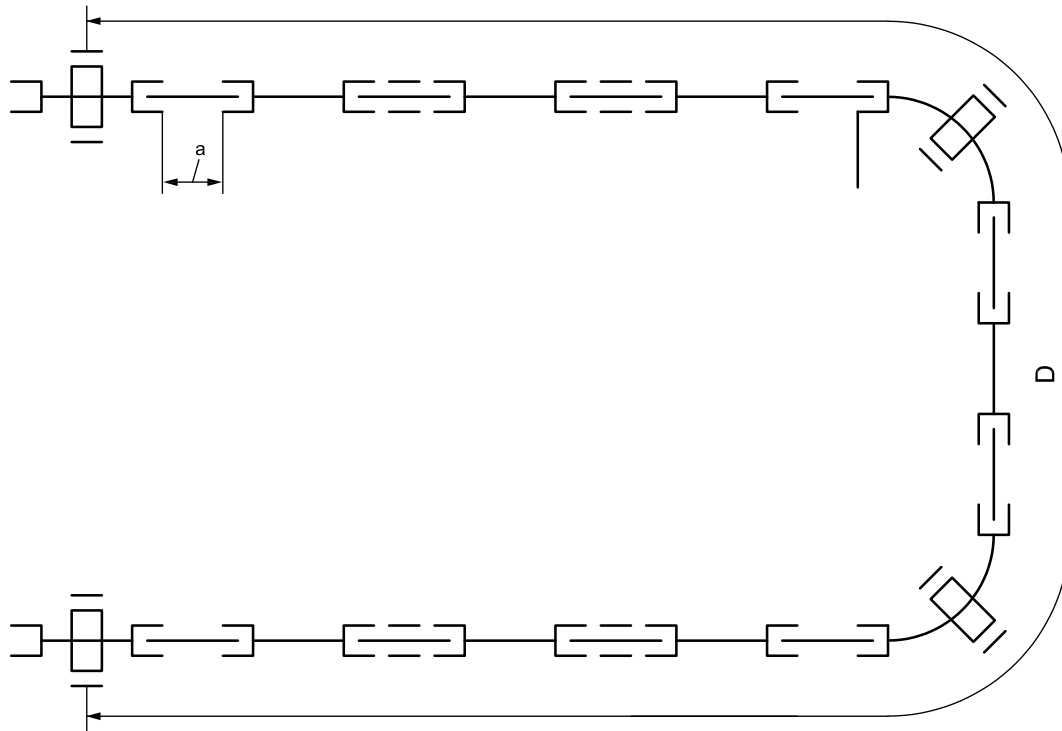
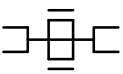
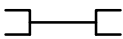
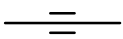

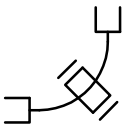
- C* branch C (for rigid pipes)
-  fixed straight connector
-  straight connector
-  free pipe
-  fixed elbow
-  elbow

Figure 3 — Alternative test arrangement of branch C for rigid pipes



Key

-  fixed straight connector
-  straight connector
-  pipe with guide
-  free pipe
-  fixed elbow

^a Minimum length of each pipe section = $120 \begin{smallmatrix} +20 \\ 0 \end{smallmatrix}$.

Figure 4 — Alternative test arrangement of branch B for diameters larger than 63 mm (no prestress)

British Standards Institution (BSI)

BSI is the national body responsible for preparing British Standards and other standards-related publications, information and services.

BSI is incorporated by Royal Charter. British Standards and other standardization products are published by BSI Standards Limited.

About us

We bring together business, industry, government, consumers, innovators and others to shape their combined experience and expertise into standards-based solutions.

The knowledge embodied in our standards has been carefully assembled in a dependable format and refined through our open consultation process. Organizations of all sizes and across all sectors choose standards to help them achieve their goals.

Information on standards

We can provide you with the knowledge that your organization needs to succeed. Find out more about British Standards by visiting our website at bsigroup.com/standards or contacting our Customer Services team or Knowledge Centre.

Buying standards

You can buy and download PDF versions of BSI publications, including British and adopted European and international standards, through our website at bsigroup.com/shop, where hard copies can also be purchased.

If you need international and foreign standards from other Standards Development Organizations, hard copies can be ordered from our Customer Services team.

Subscriptions

Our range of subscription services are designed to make using standards easier for you. For further information on our subscription products go to bsigroup.com/subscriptions.

With **British Standards Online (BSOL)** you'll have instant access to over 55,000 British and adopted European and international standards from your desktop. It's available 24/7 and is refreshed daily so you'll always be up to date.

You can keep in touch with standards developments and receive substantial discounts on the purchase price of standards, both in single copy and subscription format, by becoming a **BSI Subscribing Member**.

PLUS is an updating service exclusive to BSI Subscribing Members. You will automatically receive the latest hard copy of your standards when they're revised or replaced.

To find out more about becoming a BSI Subscribing Member and the benefits of membership, please visit bsigroup.com/shop.

With a **Multi-User Network Licence (MUNL)** you are able to host standards publications on your intranet. Licences can cover as few or as many users as you wish. With updates supplied as soon as they're available, you can be sure your documentation is current. For further information, email bsmusales@bsigroup.com.

BSI Group Headquarters

389 Chiswick High Road London W4 4AL UK

Revisions

Our British Standards and other publications are updated by amendment or revision.

We continually improve the quality of our products and services to benefit your business. If you find an inaccuracy or ambiguity within a British Standard or other BSI publication please inform the Knowledge Centre.

Copyright

All the data, software and documentation set out in all British Standards and other BSI publications are the property of and copyrighted by BSI, or some person or entity that owns copyright in the information used (such as the international standardization bodies) and has formally licensed such information to BSI for commercial publication and use. Except as permitted under the Copyright, Designs and Patents Act 1988 no extract may be reproduced, stored in a retrieval system or transmitted in any form or by any means – electronic, photocopying, recording or otherwise – without prior written permission from BSI. Details and advice can be obtained from the Copyright & Licensing Department.

Useful Contacts:

Customer Services

Tel: +44 845 086 9001

Email (orders): orders@bsigroup.com

Email (enquiries): cservices@bsigroup.com

Subscriptions

Tel: +44 845 086 9001

Email: subscriptions@bsigroup.com

Knowledge Centre

Tel: +44 20 8996 7004

Email: knowledgecentre@bsigroup.com

Copyright & Licensing

Tel: +44 20 8996 7070

Email: copyright@bsigroup.com



...making excellence a habit.™