

BS ISO 19689:2016



BSI Standards Publication

**Motorcycles and mopeds —
Communication between
vehicle and external equipment
for diagnostics — Diagnostic
connector and related electrical
circuits, specification and use**

National foreword

This British Standard is the UK implementation of ISO 19689:2016.

The UK participation in its preparation was entrusted to Technical Committee AUE/14, Motor cycles and mopeds.

A list of organizations represented on this committee can be obtained on request to its secretary.

This publication does not purport to include all the necessary provisions of a contract. Users are responsible for its correct application.

© The British Standards Institution 2016.

Published by BSI Standards Limited 2016

ISBN 978 0 580 86552 7

ICS 43.140; 43.180

Compliance with a British Standard cannot confer immunity from legal obligations.

This British Standard was published under the authority of the Standards Policy and Strategy Committee on 31 October 2016.

Amendments/corrigenda issued since publication

Date	Text affected
------	---------------

**Motorcycles and mopeds —
Communication between vehicle and
external equipment for diagnostics
— Diagnostic connector and related
electrical circuits, specification and use**

*Motos et vélomoteurs — Communication entre véhicule et
équipement externe pour les diagnostics — Raccord de diagnostic et
circuits électriques relatifs, spécifications et utilisation*



COPYRIGHT PROTECTED DOCUMENT

© ISO 2016, Published in Switzerland

All rights reserved. Unless otherwise specified, no part of this publication may be reproduced or utilized otherwise in any form or by any means, electronic or mechanical, including photocopying, or posting on the internet or an intranet, without prior written permission. Permission can be requested from either ISO at the address below or ISO's member body in the country of the requester.

ISO copyright office
Ch. de Blandonnet 8 • CP 401
CH-1214 Vernier, Geneva, Switzerland
Tel. +41 22 749 01 11
Fax +41 22 749 09 47
copyright@iso.org
www.iso.org

Contents

Page

Foreword	iv
Introduction	v
1 Scope	1
2 Normative references	1
3 Terms and definitions	1
4 Vehicle connector location	2
4.1 General.....	2
4.2 Recommended location.....	2
4.3 Vehicle operation.....	2
5 Vehicle and external test equipment connector design	3
5.1 Dimensions.....	3
5.2 Number of contacts.....	3
5.3 Contact requirements.....	3
5.4 Connector colour/features.....	3
5.5 Temperature class.....	3
5.6 External test equipment connector cycle life.....	3
5.7 Contact and connector parameters and performance requirements.....	3
5.7.1 Preconditioning.....	3
5.7.2 Functional parameters for contacts.....	4
5.7.3 Performance requirements for contacts.....	4
5.7.4 Connector system performance requirements.....	4
5.7.5 Accelerated environmental exposures for the vehicle connector.....	4
6 Contact allocation and specifications for related electrical circuits	5
6.1 Vehicle and external test equipment connector contact designation and general allocation.....	5
6.2 General contact allocation.....	6
6.3 Vehicle connector contact allocation.....	6
6.3.1 Vehicle connector contact 1.....	6
6.3.2 Vehicle connector contact 2.....	6
6.3.3 Vehicle connector contact 3.....	7
6.3.4 Vehicle connector contact 4.....	7
6.3.5 Vehicle connector contact 5.....	7
6.3.6 Vehicle connector contact 6.....	7
6.4 Vehicle connector contact protection.....	7
6.5 External test equipment connector contact allocations and requirements for related circuits.....	7
6.5.1 External test equipment connector contact 1.....	7
6.5.2 External test equipment connector contacts 2, 5 and 6.....	7
6.5.3 External test equipment connector contact 3.....	8
6.5.4 External test equipment connector contact 4.....	8
6.6 External test equipment connector contact protection.....	8
6.7 Minimum impedance between external test equipment connector contact 3 and external surface of external test equipment.....	8
Annex A (normative) Diagnostic connection	9
Bibliography	12

Foreword

ISO (the International Organization for Standardization) is a worldwide federation of national standards bodies (ISO member bodies). The work of preparing International Standards is normally carried out through ISO technical committees. Each member body interested in a subject for which a technical committee has been established has the right to be represented on that committee. International organizations, governmental and non-governmental, in liaison with ISO, also take part in the work. ISO collaborates closely with the International Electrotechnical Commission (IEC) on all matters of electrotechnical standardization.

The procedures used to develop this document and those intended for its further maintenance are described in the ISO/IEC Directives, Part 1. In particular the different approval criteria needed for the different types of ISO documents should be noted. This document was drafted in accordance with the editorial rules of the ISO/IEC Directives, Part 2 (see www.iso.org/directives).

Attention is drawn to the possibility that some of the elements of this document may be the subject of patent rights. ISO shall not be held responsible for identifying any or all such patent rights. Details of any patent rights identified during the development of the document will be in the Introduction and/or on the ISO list of patent declarations received (see www.iso.org/patents).

Any trade name used in this document is information given for the convenience of users and does not constitute an endorsement.

For an explanation on the meaning of ISO specific terms and expressions related to conformity assessment, as well as information about ISO's adherence to the World Trade Organization (WTO) principles in the Technical Barriers to Trade (TBT) see the following URL: www.iso.org/iso/foreword.html.

The committee responsible for this document is ISO/TC 22, *Road vehicles*, Subcommittee SC 38, *Motorcycles and mopeds*.

Introduction

This International Standard specifies on-board diagnostic connector for motorcycles and mopeds.

Motorcycles and mopeds — Communication between vehicle and external equipment for diagnostics — Diagnostic connector and related electrical circuits, specification and use

1 Scope

This International Standard specifies a minimum set of requirements for a diagnostic connector used in communication between motorcycles and mopeds, and external equipment for diagnostics. Its aim is to promote the use of a common diagnostic connector throughout the motorcycle industry. The diagnostic connection consists of two mating connectors, the vehicle connector and the external test equipment connector. Applicable to all types of motorcycles and mopeds, the connector specified is sealed with positive locking feature and is intended for short-term diagnostic connection only.

This International Standard specifies functional requirements for

- a) the vehicle connector, separated into the four principal areas of
 - connector location,
 - connector design,
 - connector contact allocation, and
 - electrical requirements for connector and related electrical circuits, and
- b) the external test equipment connector, separated into the three principal areas of
 - connector design,
 - connector contact allocation, and
 - electrical requirements for connector and related electrical circuits.

The dimensional requirements of the vehicle connector are given as a minimum specification, to allow design freedom.

2 Normative references

The following documents, in whole or in part, are normatively referenced in this document and are indispensable for its application. For dated references, only the edition cited applies. For undated references, the latest edition of the referenced document (including any amendments) applies.

ISO 8092-2:2005, *Road vehicles — Connections for on-board electrical wiring harnesses — Part 2: Definitions, test methods and general performance requirements*

ISO 16750-2, *Road vehicles — Environmental conditions and testing for electrical and electronic equipment — Part 2: Electrical loads*

3 Terms and definitions

For the purposes of this document, the following terms and definitions apply.

**3.1
connection**

two mated connectors or contacts

[SOURCE: ISO 15031-3:2004, 3.1]

**3.2
connector**

assembly of contact and housing which terminates conductors for the purpose of providing connection and disconnection to a suitable mating connector

[SOURCE: ISO 15031-3:2004, 3.2]

**3.3
contact**

conductive element in a connector (including means for cable attachment) which mates with a corresponding element to provide an electrical path

[SOURCE: ISO 15031-3:2004, 3.3]

**3.4
female contact**

electrical contact (including means for cable attachment) intended to make electrical engagement on its inner surface and to accept entry of a male contact, thus forming an electrical connection

EXAMPLE Receptacle, sleeve.

[SOURCE: ISO 15031-3:2004, 3.4]

**3.5
male contact**

electrical contact (including means for cable attachment) intended to make electrical engagement on its outer surface and to enter a female contact, thus forming an electrical connection

EXAMPLE Tab, pin, blade.

[SOURCE: ISO 15031-3:2004, 3.5]

4 Vehicle connector location

4.1 General

It should be recognized that country or regional governments could mandate a connector location which supersedes these provisions.

4.2 Recommended location

The vehicle connector shall be located in easily access. The preferred location is under the seating position.

4.3 Vehicle operation

Attachment of any external test equipment to the vehicle connector shall not preclude normal physical and electrical operation of the vehicle.

See ISO 15031-3:2004, 4.5.

5 Vehicle and external test equipment connector design

5.1 Dimensions

For the dimensions of the external test equipment connector, see [Annex A](#).

The external test equipment connector shall be mateable with the vehicle connector; compliance of the electrical, mechanical and climatic performances of the connection shall be guaranteed.

5.2 Number of contacts

The vehicle connector and the external test equipment connector shall be capable of accommodating 6 contacts.

5.3 Contact requirements

The vehicle connector shall consist of female contacts that will mate with the male blade contacts of the external test equipment connector.

See ISO 15031-3:2004, 5.3.1.

5.4 Connector colour/features

The vehicle connector shall be red coloured.

The vehicle connector and the external test equipment connector shall have latching features to ensure that the external test equipment connector will remain mated when properly connected. The latching feature shall be designed to provide a positive feel when the external test equipment connector is fully seated.

The vehicle connector shall have the latch mechanism that can be released when disconnect latched connectors.

5.5 Temperature class

The minimum temperature range for the selected material shall be Class 2, in accordance with the environmental temperature range specified in ISO 8092-2:2000, Table 3, i.e. -40 °C to +85 °C.

See ISO 15031-3:2004, 5.7.

5.6 External test equipment connector cycle life

The external test equipment manufacturer shall specify the minimum number of mating cycles the external test equipment connector is capable of while meeting the requirements.

See ISO 15031-3:2004, 5.8.

5.7 Contact and connector parameters and performance requirements

5.7.1 Preconditioning

Take unused samples and perform 200 mating cycles before applying the test given in [5.7.5](#) and the requirements given in [5.7.3](#) and [5.7.4](#).

5.7.2 Functional parameters for contacts

The functional parameters for the contacts are as follows:

- a) the blade size for the external test equipment connector shall be in accordance with [Annex A](#);
- b) the current-carrying capacity for contacts more than 3,5 A d.c. (full circuits test)/7,5 A d.c. (single circuit test) at 20 °C;
- c) the temperature range shall be -40 °C to +85 °C (Class 2 of the environmental temperature range according to ISO 8092-2:2005, Table 3);
- d) the voltage range shall be in accordance with ISO 16750-2;
- e) the contact system shall accept a cross-sectional area of cable conductors of up to 0,50 mm² and 20 AWG.

5.7.3 Performance requirements for contacts

The contact system (i.e. mated contact pairs) shall meet the performance requirements given under point a) of this subclause, following performance of each of the environmental exposures according to [5.7.5](#). Tests of connection resistance shall be in accordance with ISO 8092-2:2005, 4.8.1.1.

- a) Resistance cable-to-cable per contact pair: 30 mΩ at initial mating when tested with a constant current source of 1 A in accordance with ISO 8092-2:2005, 4.8.1.3.
- b) Recommended connection resistance at low current: 100 mΩ at initial mating when tested with a constant current source of 100 μA in accordance with ISO 8092-2:2005, 4.8.1.2.

5.7.4 Connector system performance requirements

The connector system shall meet the performance requirements given under points a) to e) of this subclause, following performance of each of the environmental exposures according to [5.7.5](#). Measurements shall be taken at room temperature (23°C ± 5°C).

- a) Insulation resistance between adjacent contacts tested in accordance with ISO 8092-2:2005, 4.12: ≥100 MΩ.
- b) Contact retention in housing tested in accordance with ISO 8092-2:2005, 4.7: ≥60 N.
- c) Connection (with lock) and disconnection (without lock) force tested in accordance with ISO 8092-2:2005, 4.3.1, fully equipped with 6 contact pairs: ≤75 N.
- d) Polarization features shall prevent mismating of connectors when a force of 150 N is applied.
- e) Water tightness test in accordance with ISO 8092-2:2005, 4.9.1.1.2 (leakage current ≤50 μA at 48 V) and 4.9.1.1.3.

5.7.5 Accelerated environmental exposures for the vehicle connector

Accelerated environmental testing shall be conducted for the vehicle connector when not mated to the external test equipment connector. However, the suitable cover according to [5.7.4 e\)](#) shall be attached on the vehicle connector. Perform each environmental exposure, a) to d), as follows, with separate sample groups. After exposure, the vehicle connector shall be mated to the original external test equipment connector for the performance tests given in [5.7.3](#) and [5.7.4](#).

- a) Thermal cycling

Perform the test in accordance with ISO 8092-2:2005, 4.22.1 with the following modifications.

- cycles: 1 000 times

— transition time: 5 min max.

b) Temperature/humidity cycling

Perform the test in accordance with ISO 8092-2:2005, 4.10.1 with the following modifications.

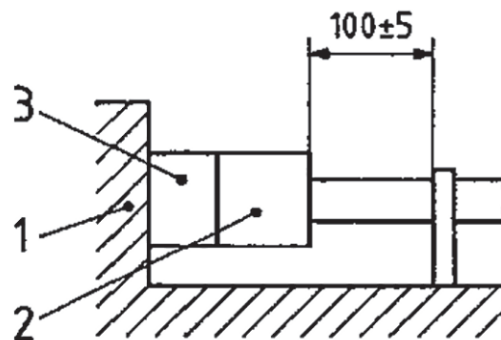
— cycles: 15 times

c) Mechanical shock

Apply three shocks at 50 g in each of the three mutually perpendicular axes of the connector.

See ISO 15031-3:2004, 5.10.5 c).

The test method refers to the [Figure 1](#).



Key

- 1 test bench
- 2 test sample
- 3 fixed connector

Figure 1 — Test method 1

d) Vibration

Sinusoidal ($1,5 \pm 0,15$) mm amplitude by 15 g for 2 h in each of the three mutually perpendicular axes at room temperature.

See ISO 15031-3:2004, 5.10.5 d).

The test method refers to the [Figure 1](#).

e) Chemical fluids

This subclause is in accordance with ISO 8092-2:2005, 4.23.1 and 4.23.2

6 Contact allocation and specifications for related electrical circuits

6.1 Vehicle and external test equipment connector contact designation and general allocation

See [Figure 2](#) and [Table 1](#) for vehicle connector and external test equipment contact designations.

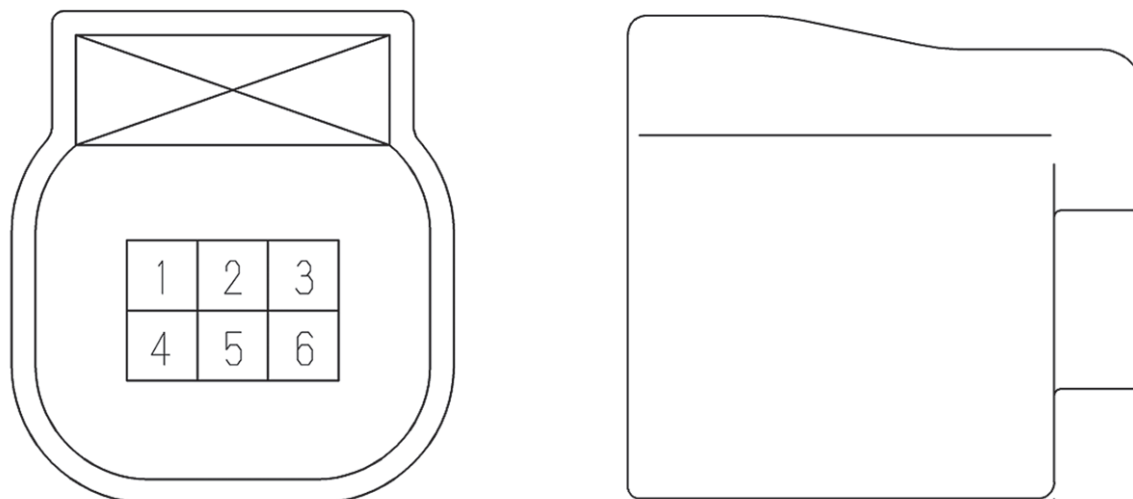


Figure 2 — Contact designation for vehicle connector mating end view

6.2 General contact allocation

See [Table 1](#) for a summary of contact allocations.

Table 1 — General contact allocation

Contact	General allocation
1	Discretionary ^a
2	CAN_H line of ISO 15765-4 ^b
3	Ground
4	Permanent positive voltage/ Switched vehicle battery voltage (ignition on/off)
5	CAN_L line of ISO 15765-4 ^b
6	K line according to ISO 9141-2 and ISO 14230-4 ^b

^a Assignment of Contact 1 in the vehicle connector is left at the discretion of the vehicle manufacturer.

^b For Contacts 2, 5 and 6, the related diagnostic communication assignments are shown. These contacts can also be used for alternate assignments in the vehicle connector. See [6.3](#) and [6.5](#) for further information.

6.3 Vehicle connector contact allocation

6.3.1 Vehicle connector contact 1

Allocation of Contact 1 of the vehicle connector is left at the discretion of the vehicle manufacturer.

6.3.2 Vehicle connector contact 2

If ISO 15765-4 CAN is used in a vehicle to supply OBD required communication services, then Contact 2 of the vehicle connector shall be the CAN-High bus signal connection.

However, if ISO 15765-4 is not used for that purpose, then assignment of the contact is left at the discretion of the vehicle manufacturer, provided the assignment does not interfere with the operation of, nor cause damage to, the tools conforming to ISO 15031-4.

See ISO 15031-3:2004, 6.3.5.

6.3.3 Vehicle connector contact 3

Contact 3 of the vehicle connector is designated ground.

6.3.4 Vehicle connector contact 4

Contact 4 of the vehicle connector is designated to provide permanent positive voltage or switched vehicle battery voltage (ignition on/off) for the external test equipment, both for power and also as a reference for K-line communications. This connection should be protected by the use of a fuse or other circuit protection element. This circuit may be grouped with other circuits.

See ISO 15031-3:2004, 6.3.10.

6.3.5 Vehicle connector contact 5

If ISO 15765-4 CAN is used in a vehicle to supply OBD required communication services, then Contact 5 of the vehicle connector shall be the CAN-Low bus signal connection.

However, if ISO 15765-4 is not used for that purpose, then assignment of the contact is left at the discretion of the vehicle manufacturer, provided the assignment does not interfere with the operation of, nor cause damage to, tools conforming to ISO 15031-4.

See ISO 15031-3:2004, 6.3.8.

6.3.6 Vehicle connector contact 6

If a two-wire or one-wire ISO 9141-2 or ISO 14230-4 interface is used in a vehicle to supply OBD required communication services, then Contact 6 of the vehicle connector shall be the K line of the interface.

However, if neither interface is used for that purpose, then assignment of the contact is left at the discretion of the vehicle manufacturer, provided the assignment does not interfere with the operation of, nor cause damage to, tools conforming to ISO 15031-4.

See ISO 15031-3:2004, 6.3.6.

6.4 Vehicle connector contact protection

The vehicle manufacturer should provide circuit protection in the event that the contacts of the vehicle connector are shorted together. This protection is limited to the ranges of voltages present at the vehicle connector before the external test equipment connector is mated to it.

See ISO 15031-3:2004, 6.4.

6.5 External test equipment connector contact allocations and requirements for related circuits

6.5.1 External test equipment connector contact 1

Contact 1 shall not be used by external test equipment.

6.5.2 External test equipment connector contacts 2, 5 and 6

Assignment and use of external test equipment connector contacts 2, 5 and 6 shall be compatible with the assignment and use of their mating contact in the vehicle connector (see [6.3](#)).

See ISO 15031-3:2004, 6.5.2.

6.5.3 External test equipment connector contact 3

Contact 3 of the external test equipment connector is designated ground. This contact shall be used by the ISO 15031-4 external test equipment as the signal ground reference for vehicle communication transceivers. This contact may be used by the external test equipment as a power ground.

6.5.4 External test equipment connector contact 4

Contact 4 of the external test equipment connector is designated as permanent positive voltage or switched vehicle battery voltage (Ignition on/off) and is available to supply operating power and a reference voltage to the external test equipment.

6.6 External test equipment connector contact protection

All circuits connected to the contacts of the external test equipment connector should be protected to the extent that no damage to these circuits will occur if any contact of the external test equipment connector.

- is connected to contact 4 of the vehicle connector, as permanent positive voltage or switched vehicle battery voltage (Ignition on/off) for a current up to 7,5A,
- is connected to contact 3 of the vehicle connector, vehicle ground.

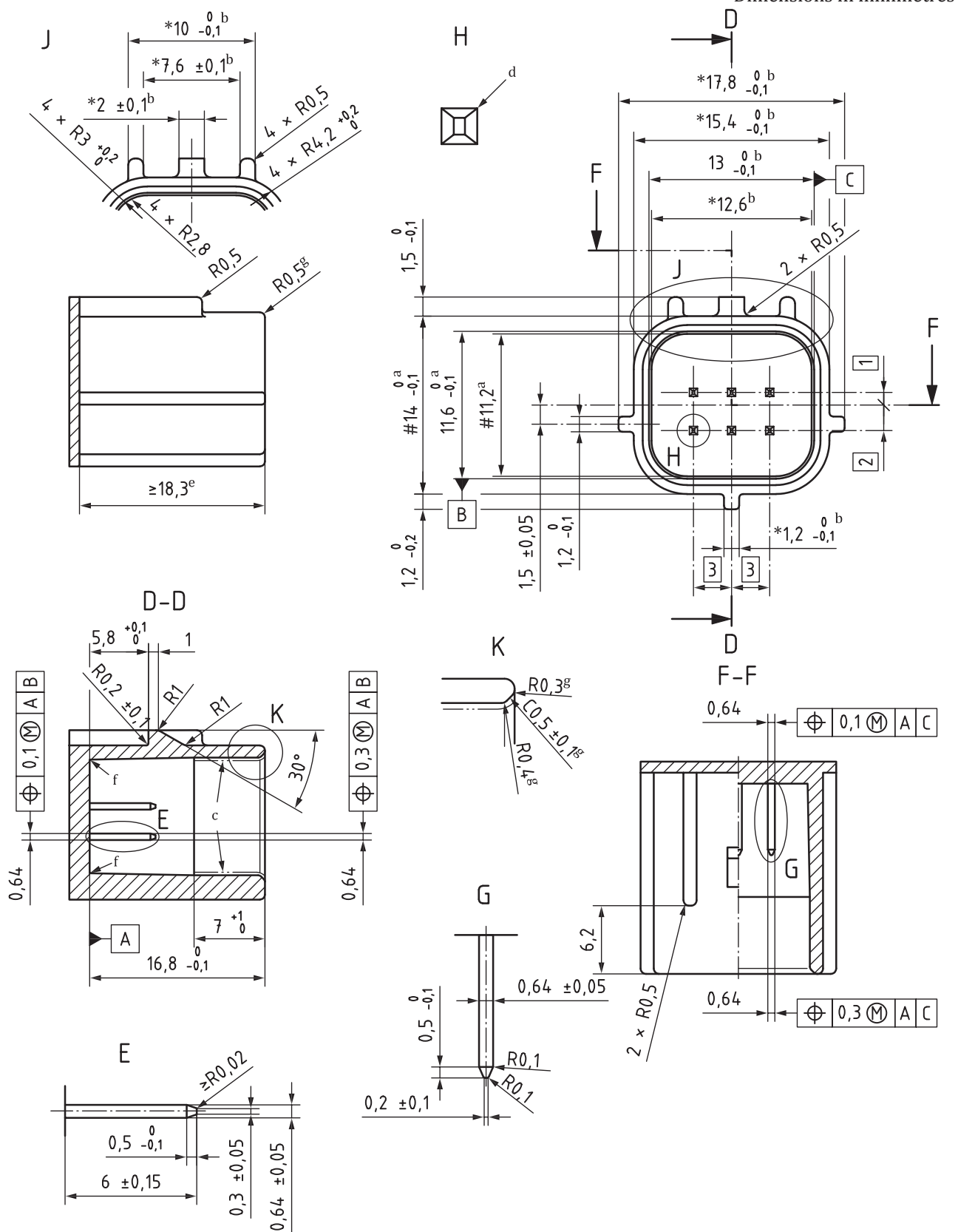
6.7 Minimum impedance between external test equipment connector contact 3 and external surface of external test equipment

The minimum impedance shall be 1 M Ω .

Annex A
(normative)

Diagnostic connection

Dimensions in millimetres



Key

General

Unspecified R shall be R0,3 +0,15/-0,15.

General tolerance is as mentioned below.

+0,15 / -0,15 at 10 max., +0,2/-0,2 at 50 max., eccent :0,1.

- a Dimension marked # shall be divided evenly by centre line of 11,6 +0/-0,1.
- b Dimension marked * shall be divided evenly by centre line of 13 +0/-0,1.
- c No parting line on the sealing surface.
Surface in tool polished with RA: 1,6 µm.
- d No burr and no flaw on the contact.
C0,05 at max. on all egde of the contact is allowed.
No mating section and no broken-out section at the contact surface of the contact.
Contact material shall be copper alloy.
Sn plating shall be applied after underplating.
Thickness of Sn plating shall be between 0,8 µm to 4,0 µm.
Plating area shall be whole surface of the contact.
- e Length shall be 18,3 at min. for mating vehicle connector.
- f R0,2 at max. is allowed.
- g Dimension marked g shall be applicable all around

Figure A.1 — External test equipment connector

Bibliography

- [1] ISO 6722-1, *Road vehicles — 60 V and 600 V single-core cables — Part 1: Dimensions, test methods and requirements for copper conductor cables*
- [2] ISO 9141-2, *Road vehicles — Diagnostic systems — Part 2: CARB requirements for interchange of digital information*
- [3] ISO 14230-4, *Road vehicles — Diagnostic systems — Keyword Protocol 2000 — Part 4: Requirements for emission-related systems*
- [4] ISO 15031-2, *Road vehicles — Communication between vehicle and external equipment for emissions-related diagnostics — Part 2: Guidance on terms, definitions, abbreviations and acronyms*
- [5] ISO 15031-3:2004, *Road vehicles — Communication between vehicle and external equipment for emissions-related diagnostics — Part 3: Diagnostic connector and related electrical circuits, specification and use*
- [6] ISO 15031-4, *Road vehicles — Communication between vehicle and external equipment for emissions-related diagnostics — Part 4: External test equipment*
- [7] ISO 15765-4, *Road vehicles — Diagnostics on Controller Area Networks (CAN) — Part 4: Requirements for emissions-related systems*

British Standards Institution (BSI)

BSI is the national body responsible for preparing British Standards and other standards-related publications, information and services.

BSI is incorporated by Royal Charter. British Standards and other standardization products are published by BSI Standards Limited.

About us

We bring together business, industry, government, consumers, innovators and others to shape their combined experience and expertise into standards-based solutions.

The knowledge embodied in our standards has been carefully assembled in a dependable format and refined through our open consultation process. Organizations of all sizes and across all sectors choose standards to help them achieve their goals.

Information on standards

We can provide you with the knowledge that your organization needs to succeed. Find out more about British Standards by visiting our website at bsigroup.com/standards or contacting our Customer Services team or Knowledge Centre.

Buying standards

You can buy and download PDF versions of BSI publications, including British and adopted European and international standards, through our website at bsigroup.com/shop, where hard copies can also be purchased.

If you need international and foreign standards from other Standards Development Organizations, hard copies can be ordered from our Customer Services team.

Copyright in BSI publications

All the content in BSI publications, including British Standards, is the property of and copyrighted by BSI or some person or entity that owns copyright in the information used (such as the international standardization bodies) and has formally licensed such information to BSI for commercial publication and use.

Save for the provisions below, you may not transfer, share or disseminate any portion of the standard to any other person. You may not adapt, distribute, commercially exploit, or publicly display the standard or any portion thereof in any manner whatsoever without BSI's prior written consent.

Storing and using standards

Standards purchased in soft copy format:

- A British Standard purchased in soft copy format is licensed to a sole named user for personal or internal company use only.
- The standard may be stored on more than 1 device provided that it is accessible by the sole named user only and that only 1 copy is accessed at any one time.
- A single paper copy may be printed for personal or internal company use only.

Standards purchased in hard copy format:

- A British Standard purchased in hard copy format is for personal or internal company use only.
- It may not be further reproduced – in any format – to create an additional copy. This includes scanning of the document.

If you need more than 1 copy of the document, or if you wish to share the document on an internal network, you can save money by choosing a subscription product (see 'Subscriptions').

Reproducing extracts

For permission to reproduce content from BSI publications contact the BSI Copyright & Licensing team.

Subscriptions

Our range of subscription services are designed to make using standards easier for you. For further information on our subscription products go to bsigroup.com/subscriptions.

With **British Standards Online (BSOL)** you'll have instant access to over 55,000 British and adopted European and international standards from your desktop. It's available 24/7 and is refreshed daily so you'll always be up to date.

You can keep in touch with standards developments and receive substantial discounts on the purchase price of standards, both in single copy and subscription format, by becoming a **BSI Subscribing Member**.

PLUS is an updating service exclusive to BSI Subscribing Members. You will automatically receive the latest hard copy of your standards when they're revised or replaced.

To find out more about becoming a BSI Subscribing Member and the benefits of membership, please visit bsigroup.com/shop.

With a **Multi-User Network Licence (MUNL)** you are able to host standards publications on your intranet. Licences can cover as few or as many users as you wish. With updates supplied as soon as they're available, you can be sure your documentation is current. For further information, email subscriptions@bsigroup.com.

Revisions

Our British Standards and other publications are updated by amendment or revision.

We continually improve the quality of our products and services to benefit your business. If you find an inaccuracy or ambiguity within a British Standard or other BSI publication please inform the Knowledge Centre.

Useful Contacts

Customer Services

Tel: +44 345 086 9001

Email (orders): orders@bsigroup.com

Email (enquiries): cservices@bsigroup.com

Subscriptions

Tel: +44 345 086 9001

Email: subscriptions@bsigroup.com

Knowledge Centre

Tel: +44 20 8996 7004

Email: knowledgecentre@bsigroup.com

Copyright & Licensing

Tel: +44 20 8996 7070

Email: copyright@bsigroup.com

BSI Group Headquarters

389 Chiswick High Road London W4 4AL UK