



BSI Standards Publication

Plastics — Determination of aerobic biodegradation of non-floating plastic materials in a seawater/sediment interface — Method by analysis of evolved carbon dioxide

National foreword

This British Standard is the UK implementation of ISO 19679:2016.

The UK participation in its preparation was entrusted to Technical Committee PRI/21, Testing of plastics.

A list of organizations represented on this committee can be obtained on request to its secretary.

This publication does not purport to include all the necessary provisions of a contract. Users are responsible for its correct application.

© The British Standards Institution 2016.
Published by BSI Standards Limited 2016

ISBN 978 0 580 89528 9

ICS 83.080.01

Compliance with a British Standard cannot confer immunity from legal obligations.

This British Standard was published under the authority of the Standards Policy and Strategy Committee on 30 September 2016.

Amendments/corrigenda issued since publication

| Date | Text affected |
|------|---------------|
|------|---------------|

Plastics — Determination of aerobic biodegradation of non-floating plastic materials in a seawater/sediment interface — Method by analysis of evolved carbon dioxide

Plastiques — Détermination de la biodégradation aérobie des matières plastiques non-flottantes à l'interface eau de mer/sédiments — Méthode par analyse du dioxyde de carbone libéré





COPYRIGHT PROTECTED DOCUMENT

© ISO 2016, Published in Switzerland

All rights reserved. Unless otherwise specified, no part of this publication may be reproduced or utilized otherwise in any form or by any means, electronic or mechanical, including photocopying, or posting on the internet or an intranet, without prior written permission. Permission can be requested from either ISO at the address below or ISO's member body in the country of the requester.

ISO copyright office
Ch. de Blandonnet 8 • CP 401
CH-1214 Vernier, Geneva, Switzerland
Tel. +41 22 749 01 11
Fax +41 22 749 09 47
copyright@iso.org
www.iso.org

Contents

Page

| | |
|--|-----------|
| Foreword | iv |
| Introduction | v |
| 1 Scope | 1 |
| 2 Normative references | 1 |
| 3 Terms and definitions | 1 |
| 4 Principle | 2 |
| 5 Test environment | 2 |
| 6 Reagents | 2 |
| 7 Apparatus | 3 |
| 8 Procedure | 3 |
| 8.1 Test material..... | 3 |
| 8.2 Reference material..... | 4 |
| 8.3 Preparation of the sediment..... | 4 |
| 8.4 Test setup..... | 4 |
| 8.5 Pre-conditioning phase..... | 4 |
| 8.6 Start of the test..... | 5 |
| 8.7 Carbon dioxide measurement..... | 5 |
| 8.8 End of the test..... | 6 |
| 9 Calculation and expression of results | 6 |
| 9.1 Calculation..... | 6 |
| 9.1.1 Amount of CO ₂ produced..... | 6 |
| 9.1.2 Percentage of biodegradation..... | 8 |
| 9.2 Visual inspection..... | 8 |
| 9.3 Expression and interpretation of results..... | 8 |
| 10 Validity of results | 9 |
| 11 Test report | 9 |
| Annex A (informative) Example of respirometric system based on CO₂ measurement | 10 |
| Bibliography | 11 |

Foreword

ISO (the International Organization for Standardization) is a worldwide federation of national standards bodies (ISO member bodies). The work of preparing International Standards is normally carried out through ISO technical committees. Each member body interested in a subject for which a technical committee has been established has the right to be represented on that committee. International organizations, governmental and non-governmental, in liaison with ISO, also take part in the work. ISO collaborates closely with the International Electrotechnical Commission (IEC) on all matters of electrotechnical standardization.

The procedures used to develop this document and those intended for its further maintenance are described in the ISO/IEC Directives, Part 1. In particular the different approval criteria needed for the different types of ISO documents should be noted. This document was drafted in accordance with the editorial rules of the ISO/IEC Directives, Part 2 (see www.iso.org/directives).

Attention is drawn to the possibility that some of the elements of this document may be the subject of patent rights. ISO shall not be held responsible for identifying any or all such patent rights. Details of any patent rights identified during the development of the document will be in the Introduction and/or on the ISO list of patent declarations received (see www.iso.org/patents).

Any trade name used in this document is information given for the convenience of users and does not constitute an endorsement.

For an explanation on the meaning of ISO specific terms and expressions related to conformity assessment, as well as information about ISO's adherence to the World Trade Organization (WTO) principles in the Technical Barriers to Trade (TBT) see the following URL: www.iso.org/iso/foreword.html.

The committee responsible for this document is ISO/TC 61, *Plastics*, Subcommittee SC 5, *Physical-chemical properties*.

Introduction

Products made with biodegradable plastics are designed to be recovered by means of organic recycling in composting plants or in anaerobic digesters. The uncontrolled dispersion of biodegradable plastics in natural environments is not desirable. The biodegradability of products cannot be considered as an excuse to spread wastes that should be recovered and recycled. However, test methods to measure rate and level of biodegradation in natural environments (such as soil or the marine environment) are of interest in order to better characterize the behaviour of plastics in these very particular environments. As a matter of fact, some plastics are used in products that are applied in the sea (e.g. fishing gear) and sometimes they can get lost or put willingly in marine environment. The characterization of biodegradable plastic materials can be enlarged by applying specific test methods that enable the quantitative assessment of biodegradation of plastics exposed to marine sediment and seawater. Plastic products are directly littered or arrive with fresh waters in the pelagic zone (free water). From there, and depending on density, tides, currents, and marine fouling plastics may sink to the sublittoral, and reach the seafloor surface. Many biodegradable plastics have a density higher than 1 and therefore tend to sink. The sediment passes from aerobic to anoxic and finally anaerobic conditions going from the surface (the interface with seawater) into deeper layers, displaying a very steep oxygen gradient.

Plastics — Determination of aerobic biodegradation of non-floating plastic materials in a seawater/sediment interface — Method by analysis of evolved carbon dioxide

1 Scope

This International Standard specifies a test method to determine the degree and rate of aerobic biodegradation of plastic materials when settled on marine sandy sediment at the interface between seawater and the seafloor, by measuring the evolved carbon dioxide.

This test method is a simulation under laboratory conditions of the habitat found in different seawater/sediment-areas in the sea, e.g. in a benthic zone where sunlight reaches the ocean floor (photic zone) that, in marine science, is called sublittoral zone

The determination of biodegradation of plastic materials buried in marine sediment is outside the scope of this International Standard.

Measurement of aerobic biodegradation can also be obtained by monitoring the oxygen consumption, as described in ISO 18830.

The conditions described in this International Standard may not always correspond to the optimum conditions for the maximum degree of biodegradation to occur.

2 Normative references

The following documents, in whole or in part, are normatively referenced in this document and are indispensable for its application. For dated references, only the edition cited applies. For undated references, the latest edition of the referenced document (including any amendments) applies.

ISO 14852:1999, *Determination of the ultimate aerobic biodegradability of plastic materials in an aqueous medium — Method by analysis of evolved carbon dioxide*

ISO 8245, *Water quality — Guidelines for the determination of total organic carbon (TOC) and dissolved organic carbon (DOC)*

3 Terms and definitions

For the purposes of this document the following terms and definitions apply.

3.1

theoretical amount of evolved carbon dioxide

ThCO₂

maximum theoretical amount of carbon dioxide evolved after completely oxidising a chemical compound, calculated from the molecular formula or from determination of total organic carbon (TOC)

Note 1 to entry: It is expressed as milligrams of carbon dioxide evolved per milligram or gram of test compound.

3.2

total organic carbon

TOC

amount of carbon bound in an organic compound

Note 1 to entry: Total organic carbon is expressed as milligrams of carbon per 100 mg of the compound.

3.3 dissolved organic carbon DOC

that part of the organic carbon in water which cannot be removed by specified phase separation methods, for example by centrifugation at 40 000 ms⁻² for 15 min or by membranes with pores of 0,2 µm to 0,45 µm diameter

3.4 pre-conditioning phase

pre-incubation of an inoculum under the conditions of the subsequent test in the absence of test material, with the aim to consume potential organic matter present in excess that could disturb biodegradation measurement and to improve the acclimatization of the microorganisms to the test conditions

4 Principle

This test method is based on the determination of evolved carbon dioxide and derives from ISO 14852. The testing medium is based on a solid phase and a liquid phase. The solid phase is a sandy marine sediment laid in the bottom of a closed flask; the liquid phase is a column of natural or artificial sea water, poured on the sediment. The test material is preferably in the form of a film to be laid down on top of the sediment, at the interface between the solid phase and the liquid phase. This is a simulation of an object that has sunk and finally reached the sea floor. The system is contained in a closed flask.

The carbon dioxide evolved during the microbial degradation is determined by a suitable analytical method. The level of biodegradation is determined by comparing the amount of carbon dioxide evolved with the theoretical amount (ThCO₂) and expressed in percentage. The test result is the maximum level of biodegradation, determined from the plateau phase of the biodegradation curve. The principle of a system for measuring evolved carbon dioxide is given in ISO 14852:1999, Annex A.

The details of interlaboratory testing based on the test method specified in this International Standard are available in Reference [5].

5 Test environment

Incubation shall take place in the dark or in diffuse light in an enclosure which is free from vapours inhibitory to microorganisms and which is maintained at a constant temperature, preferably between 15 °C to 25 °C, but not exceeding 28 °C, to an accuracy of ±2 °C. Any change in temperature shall be justified and clearly indicated in the test report.

NOTE Test results are obtained for temperature that may be different from real conditions in marine environment.

6 Reagents

6.1 Distilled or deionized water

free of toxic substances (copper in particular) and containing less than 2 mg/l of DOC.

6.2 Artificial seawater

Dissolve:

| | |
|---|-------|
| Sodium chloride (NaCl) | 22 g |
| Magnesium chloride hexahydrate (MgCl ₂ · 6 H ₂ O) | 9,7 g |
| Sodium sulfate (Na ₂ SO ₄) | 3,7 g |

| | |
|---|--------|
| Calcium chloride (CaCl ₂) | 1 g |
| Potassium chloride (KCl) | 0,65 g |
| Sodium hydrogen carbonate (NaHCO ₃) | 0,20 g |

in water ([6.1](#)) and make up to 1 000 ml.

6.3 Natural seawater/sediment

Take a sample of a sandy sediment and seawater with a shovel beneath the low-water line into a bucket. Transfer the wet sediment together with seawater into sealed containers for transport and fast deliver it to the laboratory. After delivery, conserve the sediment at low temperature (approximately 4 °C) until use. The seawater/sediment sample should be preferably used within 4 weeks after sampling. Record storage time and conditions.

NOTE Seawater and sediment can also be sampled from large, well-running public marine aquaria.

Measure the TOC, pH and nitrogen content of the sediment and of the natural seawater if used instead of artificial seawater. The carbon content of sediment should be in the range of 0,1 % to 2 %.

A preliminary oxidation can be applied to the sediment in order to decrease the organic matter content and the background respiration. Sediment and seawater are fluxed with air and gently stirred (max. 20 r/min to 30 r/min) in a large container for the desired period of time. Report this pre-treatment process in the test report.

7 Apparatus

7.1 Test flasks

Biometer flasks of the volume of about 250 ml are appropriate. The vessels shall be located in a constant-temperature room or in a thermostatic apparatus (e.g. water-bath). Stirring can be applied on seawater on condition that it does not disturb the sediment/seawater interface.

NOTE A suitable apparatus is shown in [Figure A.1](#). An example of a stirred apparatus is given in OECD TG 308, Annex 4.[\[6\]](#)

7.2 Container for the CO₂ absorber

A glass beaker to be located in the headspace of the reactor and filled with 10 ml of Ba(OH)₂ 0,025 N or with 3 ml of KOH 0,5 N.

7.3 Analytical balance

Analytical balance shall have a sensitivity of at least 0,1 mg.

7.4 pH meter

8 Procedure

8.1 Test material

The test material should be in film or sheet form. Cut samples of the test material in the shape of a disk. Disks shall have a smaller diameter than the glass flasks, so that the disks can be easily laid on the bottom of the glass flask.

The sample shall be of known mass and contain sufficient carbon to yield CO₂ that can be adequately measured by the system used.

Use a test material concentration of at least 100 mg/l of seawater plus sediment. This mass of the sample should correspond to TOC of about 60 mg/l. The maximum mass of sample per flask is limited by the oxygen supply to the glass flask. The use of 150 mg to 300 mg of test material per litre seawater plus sediment is recommended.

Calculate the TOC from the chemical formula or determine it by a suitable analytical technique (e.g. elemental analysis or measurement in accordance with ISO 8245) and calculate the ThCO_2 .

The form and shape of the test material may influence its biodegradability. Similar shapes and thicknesses should preferably be used if different kinds of plastic materials are to be compared.

NOTE 1 The test material may also be introduced as powder. However, this can be critical, as practical experience has shown that it is difficult to keep a powder settled at the sediment/seawater interface without special measures. Refer to ISO 10210 for preparation of powder from plastic materials.

NOTE 2 When the test material in form of film is laid down on the surface of the sediment, it could limit the gas exchange between the water body and the sediment, promoting the formation of anaerobic zones under the test material. In order to reduce this effect, it is possible to perforate the film sample homogeneously over the entire surface.

8.2 Reference material

Use ashless cellulose filters as a reference material¹⁾. If possible, the TOC, form, and size should be comparable to that of the test material. As a negative control, a non-biodegradable polymer (e.g. polyethylene) in the same form as the test material can optionally be used.

8.3 Preparation of the sediment

Filter the sediment in a funnel with a coarse filter paper to eliminate excess seawater. Sediment is ready for testing when dripping of sea water is ended. Sediment after filtering is named "wet sediment" hereafter.

8.4 Test setup

Provide several flasks, so that the test includes at least the following:

- a) three flasks for the test material (symbol F_T);
- b) three flasks for the blank (symbol F_B);
- c) three flasks for reference material (symbol F_C).

In addition, it is possible to add three more flasks for negative control (symbol F_N), if required.

NOTE Two flasks for test material, blank, reference material, and negative control may be used instead of three for screening purposes.

8.5 Pre-conditioning phase

In a typical case, use a test flask with a volume of 250 ml. Lay down 30 g of the wet sediment on the bottom of the flask. Carefully pour 70 ml of natural or artificial seawater. The test should be performed with a water/sediment volume ratio between 3:1 and 5:1 and a sediment layer of about 0,3 cm to 0,5 cm, depending on the granulometry of the sediment.

NOTE When using very coarse-grained sediment, the layer may be increased up to 1,5 cm.

1) Laboratory filter paper Whatman n° 42 has been found satisfactory for this purpose and is an example of a suitable product available commercially. This information is given for the convenience of users of this document and does not constitute an endorsement by ISO of this product.

Add carbon dioxide absorber to the absorber compartments of the test flask in a typical case 3 ml of KOH 0,5 N or 10 ml of Ba(OH)₂ 0,025 N. Place the flasks in a constant-temperature environment and allow all vessels to reach the desired temperature. Take the necessary readings and monitor the CO₂ evolution.

This phase is carried out in order to verify that the endogenous respiration is similar in the different vessels and also to obtain a preliminary oxidation of excess organic matter, in order to start the test with a lower endogenous respiration. The inoculum can be gently stirred in order to accelerate the biodegradation of excess organic matter.

This phase is generally protracted for a week but is possible to extend this time if a high amount of CO₂ evolved is measured.

In case the CO₂ evolution of a vessel is different, reject the diverging vessel or in case of multiple anomalies, start again using new sediment.

8.6 Start of the test

Dunk the plastic film sample, cut as described in [8.1](#), on the sediment of each vessel. Mass of samples (test and reference material) should be about 20 mg each when using a flask with a volume of 250 ml corresponding to an initial test item concentration specified in [8.1](#). In order to ensure a homogeneous contact between sample and sediment, it is recommended to cover the sample with a suitable cover slip. The cover slips shall be introduced in blank vessels also, for assuring similar conditions.

NOTE A suitable cover slip can be made using a common non-biodegradable vinyl-coated fibreglass mosquito net with a fibre diameter of about 280 µm and a 1,8 mm × 1,6 mm mesh.

For an example, see [Annex A](#).

Repeat the procedure for the reference material and the material for the negative control to the respective flasks. Record the mass of the sediment, the sample and the volume of seawater introduced in each vessel.

Nutrients may be supplemented as needed to support microbial diversity and to maintain the capacity to biodegrade the test material. The need and timing of additional nutrients or other appropriate measures may be judged by observation of the temporal course of the biodegradation of the reference substance cellulose. Any addition and the applied method shall be reported in the test report.

8.7 Carbon dioxide measurement

8.7.1 The CO₂ reacts with Ba(OH)₂ and is precipitated as barium carbonate (BaCO₃). The amount of CO₂ produced is determined by titrating the remaining barium hydroxide with 0,05 N hydrochloric acid to a phenolphthalein end-point or by automatic titrator. Because of the static incubation, the barium carbonate builds up on the surface of the liquid and shall be broken up periodically by shaking the container gently to ensure continued absorption of the evolved CO₂. This problem can be avoided by using KOH instead of Ba(OH)₂, which does not form a precipitate.

NOTE A discussion on the use of KOH in place of Ba(OH)₂ is reported in Reference [\[5\]](#).

8.7.2 The containers for the CO₂ absorber shall be removed and titrated before their capacity is exceeded. The period of time will vary with sediments and test materials and increases slowly as the carbon content of the sediment is reduced (a recommended frequency of every 3 to 4 days for the first two to three weeks and every 1 to 3 weeks, thereafter). At the time of removal of the containers, the reactor should be allowed to sit open so that the air is refreshed before replacing 10 ml of fresh barium hydroxide and resealing the reactor. The reactors should remain open approximately 15 min.

8.7.3 The carbon dioxide evolution rate may reach a plateau when all of the accessible carbon has been oxidized. The test may be terminated at this point or earlier, at the discretion of the user. If possible, the

residual test material may be extracted from the sediment with an appropriate method and quantified (optional).

NOTE The evolved CO₂ can be quantitatively measured also using other suitable methods such as those based on infrared CO₂-analysers or those based on TOC analysers equipped with an infrared photometer or on gravimetric analysis.

8.8 End of the test

When a constant level of CO₂ evolution is attained (plateau phase reached) and no further biodegradation is expected, the test is considered to be completed. The maximum test period is 24 months. In the case of long test durations, special attention shall be paid to the technical system (e.g. tightness of the test vessels and connections). Any special measures taken e.g. to ensure microbial diversity or to provide sufficient nutrients shall be detailed in the test report. On the last day of the test, measure the pH, acidify all the bottles with 1 ml of concentrated hydrochloric acid in order to decompose the carbonates and bicarbonates, continue the test for 24 h and finally measure the amount of carbon dioxide evolved in each of the series of flasks.

9 Calculation and expression of results

9.1 Calculation

9.1.1 Amount of CO₂ produced

The first step in calculating the amount of CO₂ produced is to correct the test material reactors for endogenous CO₂ production. The control reactor serves as a blank to correct for CO₂ which may be produced through endogenous respiration of the microorganisms. The amount of CO₂ produced by a test material is determined by the difference (in ml of titrant) between the experimental and blank containers. The next step is to convert millilitres of HCl titrated into milligrams of CO₂ produced.

9.1.1.1 Ba(OH)₂ used as CO₂ absorber

When CO₂ enters the absorber containers, it reacts in the following manner:



The BaCO₃ formed is insoluble and precipitates. The amount of Ba(OH)₂ remaining in the solution is determined by titration of the 10 ml with HCl according to the following chemical reaction:



From [Formulae \(1\)](#) and [\(2\)](#), it can be seen that 1 mmol of CO₂ is produced for every 2 mmol of HCl titrated. This means that the number of mmol of CO₂ produced is derived using [Formula \(3\)](#):

$$\text{mmol CO}_2 = \frac{\text{mmol HCl}}{2} \quad (3)$$

The normality of HCl used is 0,05 N. Substituting for mmol gives:

$$\text{mmol CO}_2 = \frac{(0,05 \text{ N}) \times (\text{ml of HCl})}{2} \quad (4)$$

To convert to mg CO₂, the value shall be multiplied by the molecular weight of CO₂ which is 44:

$$\text{mg CO}_2 = \frac{[(0,05) \times \text{ml titrated}]}{2} \times 44 = 1,1 \text{ ml of HCl titrated} \quad (5)$$

Thus, to convert ml of HCl to mg CO₂, the former is multiplied by 1,1.

9.1.1.2 KOH used as CO₂ absorber

The evolved CO₂ will react with KOH in the following manner:



K₂CO₃, the product of [Formula \(6\)](#), is soluble and does not precipitate.

The fresh KOH solution, where no CO₂ has been absorbed, can be titrated with HCl as:



The KOH solutions used as CO₂ absorbers will have both unreacted KOH and K₂CO₃ as per [Formula \(6\)](#).

During titration, both chemical species will react with HCl, as follows:



The pH shifts in [Formulae \(6\)](#) and [\(7\)](#) are superimposed and cannot be distinguished. Only a single end point in the range of pH between 7 and 8, corresponding to the two reactions, can be identified by using a suitable indicator.

The adsorbed CO₂ can be determined by subtracting from the H⁺ equivalents needed to neutralize the original KOH solution and the H⁺ equivalents needed to neutralize the reactions represented by [Formulae \(8\)](#) and [\(9\)](#). In practice:

$\text{mmol CO}_2 = \{\text{ml HCl consumed [Formula (7)]} - \text{ml HCl consumed in Formula (8)} + \text{Formula (9) end point}\} \times N \text{ HCl}$

where N is the normality of the HCl solution.

If an end point titrator is available, the mmol of CO₂ can be determined, without using an indicator, with a further reaction. A further addition of HCl makes HCl react with KHCO₃, produced with reaction [Formula (9)]:



The number of equivalent consumed in Formula (10), and therefore in Formula (9), corresponds to the K₂CO₃ produced during Formula (6), that in turn corresponds to the absorbed CO₂.

Consequently, 1 mole of KHCO₃ corresponds to 1 mole of CO₂ reacted in Formula (6):

$\text{mmol CO}_2 = \text{mmol HCl consumed in Formula (10) end point}$

Therefore:

$\text{mmol CO}_2 = \text{ml HCl consumed in Formula (10)} \times N \text{ HCl}$

where N is the normality of the HCl solution.

The amount of CO₂ expressed in milligrams is finally obtained as follows:

$\text{mg CO}_2 = \text{mmol CO}_2 \times 44$

9.1.2 Percentage of biodegradation

The percentage of biodegradation is the ration between the evolved CO₂ and theoretical CO₂ (ThCO₂). The ThCO₂ is:

$$\text{ThCO}_2 = \text{specimen (mg)} \times \text{TOC(\%)} \times \frac{44}{12} \quad (11)$$

where

TOC (%) is the TOC of the plastic material (or reference material) divided by 100;

44 is the molecular weight of CO₂;

12 is the molecular weight of C.

Therefore:

$$\% \text{ Biodegradation} = \frac{\text{mg CO}_2 \text{ produced}}{\text{ThCO}_2} \times 100 \quad (12)$$

9.2 Visual inspection

At the end of the test, check the condition of the samples. If still present, samples can be retrieved for mass determination, other analysis, and photographs.

9.3 Expression and interpretation of results

Compile a table of the CO₂ values measured and the percentages of biodegradation for each measurement interval and each test flask. For each vessel, plot an evolved CO₂ cumulative curve and a biodegradation curve in percentage as a function of time.

A curve of mean biodegradation values may be plotted.

The maximum level of biodegradation determined as the mean value of the plateau phase of the biodegradation curve or the highest value, e.g. when the curve decreases or, further on, slowly increases in the plateau phase, characterizes the degree of biodegradation of the test material.

The wettability and the shape of the test material may influence the result obtained, and hence the test procedure may be limited to comparing plastic materials of similar chemical structure.

Information on the toxicity of the test material may be useful in the interpretation of test results showing a low biodegradability.

10 Validity of results

The test is considered valid, if

- a) the degree of biodegradation of the reference material (F_C) is >60 % after 180 days,
- b) the evolved CO_2 of the blank F_B at the end of the test does not exceed 3,5 mg CO_2/g wet sediment (see 8.3) after 6 months,

NOTE This value has been determined in an interlaboratory test.

- c) the amount of CO_2 evolved from the three blank F_B are within 20 % of the mean at the plateau phase or at the end of the test,
- d) the difference between the percentage biodegradation of the reference material in the different vessels is less than 20 % of the mean at the end of the test.

If a negative control (flasks F_N) has been performed, no significant amount of evolved CO_2 shall be observed.

If these criteria are not fulfilled, repeat the test using another sediment.

11 Test report

The test report shall contain at least the following information:

- a) a reference to this International Standard, i.e. ISO 19679:2016;
- b) all information necessary to identify the test and reference materials, including their TOC, $ThCO_2$, chemical;
- c) the main test parameters, including test volume, test medium used, incubation temperature and final pH;
- d) the source and amount of the marine sediment used;
- e) the analytical techniques used, including the principle of the respirometer and the TOC;
- f) all the test results obtained for the test and reference materials (in tabular and graphical form), including the evolved CO_2 , the percentage biodegradation values;
- g) the duration of the lag phase, biodegradation phase and maximum level of degradation, as well as the total test duration; and, optionally, if run or determined, the negative control F_N ;
- h) any other relevant data (e.g. result of the visual final inspection and analysis of final samples, if still retrievable; photos of the final samples);
- i) details of the methods used during the test period in order to support microbial diversity or to avoid nutrient deficiency.

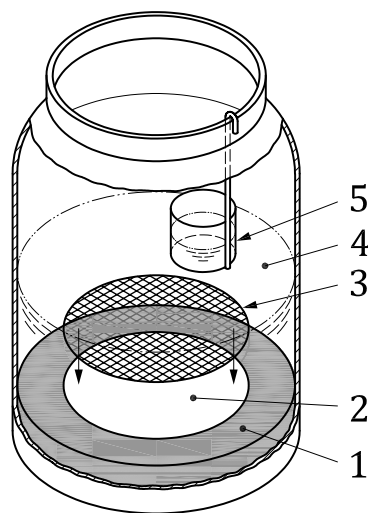
Annex A (informative)

Example of respirometric system based on CO₂ measurement

The measurement of the evolved CO₂ can be obtained by trapping the evolved CO₂ in a closed system and then by quantifying it by suitable titration systems. Microorganisms in the vessel consume the oxygen and form CO₂. This is absorbed by a CO₂ absorber (generally NaOH) that can then be titrated to determine the amount of the absorbed CO₂.

In a typical case, a 250 ml vessel is used. The sediment occupies about 20 ml, the seawater 70 ml and the headspace 160 ml. The O₂ present in air at 1 atm and 28 °C and a relative humidity of 100 % is about 0,274 261 mg/ml. This means that the O₂ available at the beginning is 0,274 261 mg/ml × 160 ml = 4 341,847 6 mg (1,373 05 mM). The amount dissolved in the seawater can be neglected. This amount of O₂ is sufficient to oxidize to CO₂ and H₂O an amount of biodegradable organic carbon equal to 16,441 566 mg and producing 1,373 05 × 44 = 60,285 742 mM mg of CO₂.

The system needs to be opened in order to refresh the headspace when the O₂ concentration reaches 25 % of the original oxygen concentration.



Key

- 1 sediment
- 2 sample
- 3 cover slip
- 4 liquid medium
- 5 container for the CO₂ absorber

Figure A.1 — Test flask

Bibliography

- [1] ISO 10210, *Plastics — Methods for the preparation of samples for biodegradation testing of plastic materials*
- [2] ISO 18830, *Plastics — Determination of aerobic biodegradation of non-floating plastic materials in a seawater/sandy sediment interface — Method by measuring the oxygen demand in closed respirometer*
- [3] TOSIN M., WEBER M., SIOTTO M., LOTT C., DEGLI-INNOCENTI F. Laboratory test methods to determine the degradation of plastics in marine environmental conditions. *Front. Microbiol.* 2012, **3** p. 225. DOI:10.3389/fmicb.2012.00225
- [4] MODELLI A., CALCAGNO B., SCANDOLA M. Kinetics of Aerobic Polymer Degradation in Soil by Means of the ASTM D 5988 Standard Method. *Journal of Polymer Degradation*, Vol 7, No. 2, 1999
- [5] ISO/TC 61/SC 5/WG 22 doc. N 17, Ring test final report seawater sediment interface, 2015
- [6] OECD TG 308, *Guidelines for the Testing of Chemicals, Test No. 308: Aerobic and Anaerobic Transformation in Aquatic Sediment Systems*

British Standards Institution (BSI)

BSI is the national body responsible for preparing British Standards and other standards-related publications, information and services.

BSI is incorporated by Royal Charter. British Standards and other standardization products are published by BSI Standards Limited.

About us

We bring together business, industry, government, consumers, innovators and others to shape their combined experience and expertise into standards-based solutions.

The knowledge embodied in our standards has been carefully assembled in a dependable format and refined through our open consultation process. Organizations of all sizes and across all sectors choose standards to help them achieve their goals.

Information on standards

We can provide you with the knowledge that your organization needs to succeed. Find out more about British Standards by visiting our website at bsigroup.com/standards or contacting our Customer Services team or Knowledge Centre.

Buying standards

You can buy and download PDF versions of BSI publications, including British and adopted European and international standards, through our website at bsigroup.com/shop, where hard copies can also be purchased.

If you need international and foreign standards from other Standards Development Organizations, hard copies can be ordered from our Customer Services team.

Copyright in BSI publications

All the content in BSI publications, including British Standards, is the property of and copyrighted by BSI or some person or entity that owns copyright in the information used (such as the international standardization bodies) and has formally licensed such information to BSI for commercial publication and use.

Save for the provisions below, you may not transfer, share or disseminate any portion of the standard to any other person. You may not adapt, distribute, commercially exploit, or publicly display the standard or any portion thereof in any manner whatsoever without BSI's prior written consent.

Storing and using standards

Standards purchased in soft copy format:

- A British Standard purchased in soft copy format is licensed to a sole named user for personal or internal company use only.
- The standard may be stored on more than 1 device provided that it is accessible by the sole named user only and that only 1 copy is accessed at any one time.
- A single paper copy may be printed for personal or internal company use only.

Standards purchased in hard copy format:

- A British Standard purchased in hard copy format is for personal or internal company use only.
- It may not be further reproduced – in any format – to create an additional copy. This includes scanning of the document.

If you need more than 1 copy of the document, or if you wish to share the document on an internal network, you can save money by choosing a subscription product (see 'Subscriptions').

Reproducing extracts

For permission to reproduce content from BSI publications contact the BSI Copyright & Licensing team.

Subscriptions

Our range of subscription services are designed to make using standards easier for you. For further information on our subscription products go to bsigroup.com/subscriptions.

With **British Standards Online (BSOL)** you'll have instant access to over 55,000 British and adopted European and international standards from your desktop. It's available 24/7 and is refreshed daily so you'll always be up to date.

You can keep in touch with standards developments and receive substantial discounts on the purchase price of standards, both in single copy and subscription format, by becoming a **BSI Subscribing Member**.

PLUS is an updating service exclusive to BSI Subscribing Members. You will automatically receive the latest hard copy of your standards when they're revised or replaced.

To find out more about becoming a BSI Subscribing Member and the benefits of membership, please visit bsigroup.com/shop.

With a **Multi-User Network Licence (MUNL)** you are able to host standards publications on your intranet. Licences can cover as few or as many users as you wish. With updates supplied as soon as they're available, you can be sure your documentation is current. For further information, email subscriptions@bsigroup.com.

Revisions

Our British Standards and other publications are updated by amendment or revision.

We continually improve the quality of our products and services to benefit your business. If you find an inaccuracy or ambiguity within a British Standard or other BSI publication please inform the Knowledge Centre.

Useful Contacts

Customer Services

Tel: +44 345 086 9001

Email (orders): orders@bsigroup.com

Email (enquiries): cservices@bsigroup.com

Subscriptions

Tel: +44 345 086 9001

Email: subscriptions@bsigroup.com

Knowledge Centre

Tel: +44 20 8996 7004

Email: knowledgecentre@bsigroup.com

Copyright & Licensing

Tel: +44 20 8996 7070

Email: copyright@bsigroup.com

BSI Group Headquarters

389 Chiswick High Road London W4 4AL UK