



BSI Standards Publication

Graphic technology — Test method for the determination of the binding strength for perfect-bound products — Page-pull test working upwards

National foreword

This British Standard is the UK implementation of ISO 19594:2017.

The UK participation in its preparation was entrusted to Technical Committee PAI/43, Graphic technology.

A list of organizations represented on this committee can be obtained on request to its secretary.

This publication does not purport to include all the necessary provisions of a contract. Users are responsible for its correct application.

© The British Standards Institution 2017.
Published by BSI Standards Limited 2017

ISBN 978 0 580 91303 7

ICS 37.100.10

Compliance with a British Standard cannot confer immunity from legal obligations.

This British Standard was published under the authority of the Standards Policy and Strategy Committee on 28 February 2017.

Amendments/corrigenda issued since publication

Date	Text affected
------	---------------

**Graphic technology — Test method
for the determination of the binding
strength for perfect-bound products
— Page-pull test working upwards**

*Technologie graphique — Méthodes d'essai pour la détermination de
la force de fixation des produits à reliure collée — Essai de traction de
page vers le haut*





COPYRIGHT PROTECTED DOCUMENT

© ISO 2017, Published in Switzerland

All rights reserved. Unless otherwise specified, no part of this publication may be reproduced or utilized otherwise in any form or by any means, electronic or mechanical, including photocopying, or posting on the internet or an intranet, without prior written permission. Permission can be requested from either ISO at the address below or ISO's member body in the country of the requester.

ISO copyright office
Ch. de Blandonnet 8 • CP 401
CH-1214 Vernier, Geneva, Switzerland
Tel. +41 22 749 01 11
Fax +41 22 749 09 47
copyright@iso.org
www.iso.org

Contents

Page

Foreword	iv
Introduction	v
1 Scope	1
2 Normative references	1
3 Terms and definitions	1
4 Principle	2
5 Apparatus	2
5.1 Material testing system.....	2
5.2 Test fixture.....	3
5.2.1 Equipment on the upper traverse.....	3
5.2.2 Downholder.....	4
6 Test preparation	5
6.1 General.....	5
6.2 Sampling.....	6
6.3 Conditioning.....	6
6.4 Insertion of the specimen.....	6
6.5 Application of the preload.....	7
6.6 Fixing the test sheet.....	8
6.7 Execution of the pull procedure.....	9
6.8 Calculation of the binding strength.....	10
6.9 Calculation of the coefficient of variation.....	10
7 Precision	11
8 Report	11
Annex A (informative) Quality levels for the binding strength based on page-pull tests	12
Annex B (informative) Quality levels for the consistency of the binding quality	13
Bibliography	14

Foreword

ISO (the International Organization for Standardization) is a worldwide federation of national standards bodies (ISO member bodies). The work of preparing International Standards is normally carried out through ISO technical committees. Each member body interested in a subject for which a technical committee has been established has the right to be represented on that committee. International organizations, governmental and non-governmental, in liaison with ISO, also take part in the work. ISO collaborates closely with the International Electrotechnical Commission (IEC) on all matters of electrotechnical standardization.

The procedures used to develop this document and those intended for its further maintenance are described in the ISO/IEC Directives, Part 1. In particular the different approval criteria needed for the different types of ISO documents should be noted. This document was drafted in accordance with the editorial rules of the ISO/IEC Directives, Part 2 (see www.iso.org/directives).

Attention is drawn to the possibility that some of the elements of this document may be the subject of patent rights. ISO shall not be held responsible for identifying any or all such patent rights. Details of any patent rights identified during the development of the document will be in the Introduction and/or on the ISO list of patent declarations received (see www.iso.org/patents).

Any trade name used in this document is information given for the convenience of users and does not constitute an endorsement.

For an explanation on the meaning of ISO specific terms and expressions related to conformity assessment, as well as information about ISO's adherence to the World Trade Organization (WTO) principles in the Technical Barriers to Trade (TBT) see the following URL: www.iso.org/iso/foreword.html.

The committee responsible for this document is ISO/TC 130, *Graphic technology*.

Introduction

Perfect binding is the most frequently used block-binding technique for brochures and books. The page-pull test, the only established method for the quality assessment of perfect bindings available today, plays an important role in the process control and quality verification.

The page-pull test has historically been performed using different procedures and devices. Test results^[5] showed significant variations between devices. This document aims to harmonize the testing procedure, the testing equipment and the evaluation of the test results.

Within a research project, the following essential test parameters were identified as influencing the test results of page-pull tests^[1]:

- test position (front, middle or rear part of the book block);
- specimen alignment in relation to the pull force direction;
- specimen opening and fixing during the page-pull test.

There are many products showing homogeneous test results independent of the test position. However, there are also products showing differences within the book block, even including sheet-to-sheet deviations. Therefore, it is recommended that there should be agreement on page-specific test positions and that these should be communicated with the particular results.

Book blocks show large differences in their opening behaviour. Products with a significant clamp usually show no differences of the test sheet alignment in different test positions. Products with a good lay-flat behaviour usually show significant bending of the test sheet in the area of the spine if tested in a non-centered test position. To avoid known measurement errors, a straight alignment of the test sheet is essential. A technical means to ensure this is the possibility to tilt the opened book block depending on the particular test position.

Non-specified loads on specimens need to be avoided to ensure the absence of preliminary stress on the binding. Therefore, the opening process of the specimen needs to be controlled. The opening angle of the specimen may be standardized by the shape of a book block opening device. The intensity of the opening is determined by the force applied during the opening process and the shape of the device. These settings influence the degree of freedom of movement of the specimen during the page-pull test procedure and thus the warping of the spine. A too low degree of freedom leads to an unrealistically frequent occurrence of paper ruptures, while the opposite may lead to a lifting of the whole book block. The provisions for the opening and fixing of the specimen are realized within this document by the definition of the shape and the force of a downholder. These settings have a significant influence on the test results.

The page-pull speed within a reasonable range, shows no significant influence on the test results. Therefore, in harmonization with ISO 1924-2, the page-pull speed was chosen to be 20 mm/min. This condition results in a non-linear force development during the test.

The test results need to be evaluated in a consistent manner. An evaluation schema that has been proven by long industry practice is given in [Annex A](#).

Devices performing the page-pull test by pulling downwards create different measurement values from those pulling upwards. This results from the different block positioning due to gravity and the mass of the book block.

The pull test described in this document was developed to ensure a high level of reproducibility and comparability between laboratories. For internal quality assurance during production, devices with a lesser degree of comparability may be used.

Graphic technology — Test method for the determination of the binding strength for perfect-bound products — Page-pull test working upwards

1 Scope

This document specifies a test method for the determination of the binding strength of perfect-bound products by pulling out single sheets from the book block in an upward direction.

2 Normative references

The following documents are referred to in the text in such a way that some or all of their content constitutes requirements of this document. For dated references, only the edition cited applies. For undated references, the latest edition of the referenced document (including any amendments) applies.

ISO 186, *Paper and board — Sampling to determine average quality*

ISO 187, *Paper, board and pulps — Standard atmosphere for conditioning and testing and procedure for monitoring the atmosphere and conditioning of samples*

ISO 2859-1, *Sampling procedures for inspection by attributes — Part 1: Sampling schemes indexed by acceptance quality limit (AQL) for lot-by-lot inspection*

3 Terms and definitions

For the purposes of this document, the following terms and definitions apply.

ISO and IEC maintain terminological databases for use in standardization at the following addresses:

— IEC Electropedia: available at <http://www.electropedia.org/>

— ISO Online browsing platform: available at <http://www.iso.org/obp>

3.1

binding strength

quality measure of the binding quality of a perfect-bound product

Note 1 to entry: Ratio between the pull-out force of a single sheet and the spine length.

3.2

book block

part of a case-bound book or brochure, consisting of a trimmed or untrimmed bound block of sheets, prior to the application of the book case or cover

3.3

glue penetration

uncontrolled and inhomogeneous penetration (several millimetres) of glue between the sheets of a *book block* (3.2)

3.4

special sheet

sheet of the book block with potentially different properties from those of the majority of the sheets of that *book block* (3.2)

3.5

specimen

single test object, consisting either of a perfect-bound book (soft cover), a case-bound book (hard cover) or a perfect-bound *book block* (3.2) (intermediate product)

3.6

spine length

length of the spine of a *book block* (3.2), equal to the height of the book block

3.7

test fixture

apparatus to fix the *specimen* (3.5) on the test device during testing

3.8

test position

position of the *test sheet* (3.9) given as a percentage of the total number of pages

3.9

test sheet

sheet of the *book block* (3.2) chosen to be tested according to this document

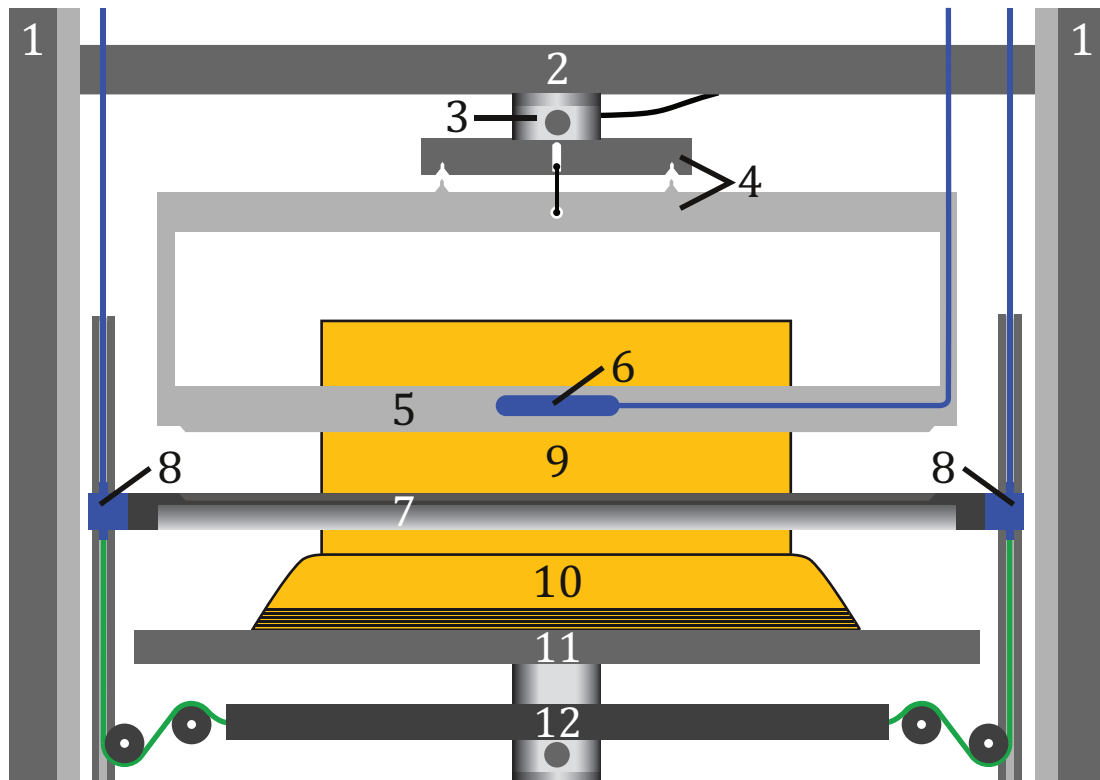
4 Principle

The binding strength is evaluated by pulling out a single sheet from the book block using a material testing system and a specified test fixture. The test is performed in such a way that the test sheet is clamped on the complete fore edge while the opened book block is fixed at the specimen holder with a specified preload. The test sheet is pulled out upwards by a force acting perpendicular to the binding edge. The maximum force resulting from the pull-out procedure is measured. The binding strength of the specimen is calculated by dividing the maximum force by the spine length of the book block.

5 Apparatus

5.1 Material testing system

The material testing system shall be constructed as a twin-column device that shall be able to perform tensile testing and to apply a preload. It contains an upper moveable traverse, where the force transducer is located. The horizontal working space of the material testing system is determined by the maximum spine length of the products tested. A scheme of the material testing system, including the test fixture (see 5.2), is shown in [Figure 1](#).



Key

1	load frame	7	downholder
2	upper traverse	8	downholder locking mechanism (e.g. pneumatic)
3	force transducer	9	test sheet
4	vertical guide	10	specimen (bound product)
5	sheet clamping unit	11	specimen holder
6	sheet clamping mechanism (e.g. pneumatic)	12	counterweight of the downholder

Figure 1 — Scheme of the page pull-test device

5.2 Test fixture

5.2.1 Equipment on the upper traverse

5.2.1.1 Vertical guide

The vertical guide is positioned between the force transducer and the sheet clamping unit. The vertical guide consists of two parts. The connection between the two parts consists of a centered compensator and means of alignment on both sides. During the application of the preload, both parts lock positively and they are therefore rigid. During tensile testing, both parts are unlocked and flexible to allow tilting.

5.2.1.2 Sheet clamping unit

The sheet clamping unit is positioned between the vertical guide and the downholder. The sheet clamping unit consists of two bars designed to clamp the test sheet. During testing, the two bars are closed with a gap remaining. For clamping the test sheet, this gap will be closed. The clamping position of the test sheet shall not change during the test (no slippage).

The clamping procedure may be performed either manually or automatically.

5.2.2 Downholder

The downholder is a separate bar that is used to fix the opened book block on the specimen holder. It shall contain a gap to allow for the feeding through of the test sheet.

The downholder may be constructed as two separate bars with a hinge to make it easier to feed through the test sheet.

The essential part of the downholder is shown in [Figure 2](#).

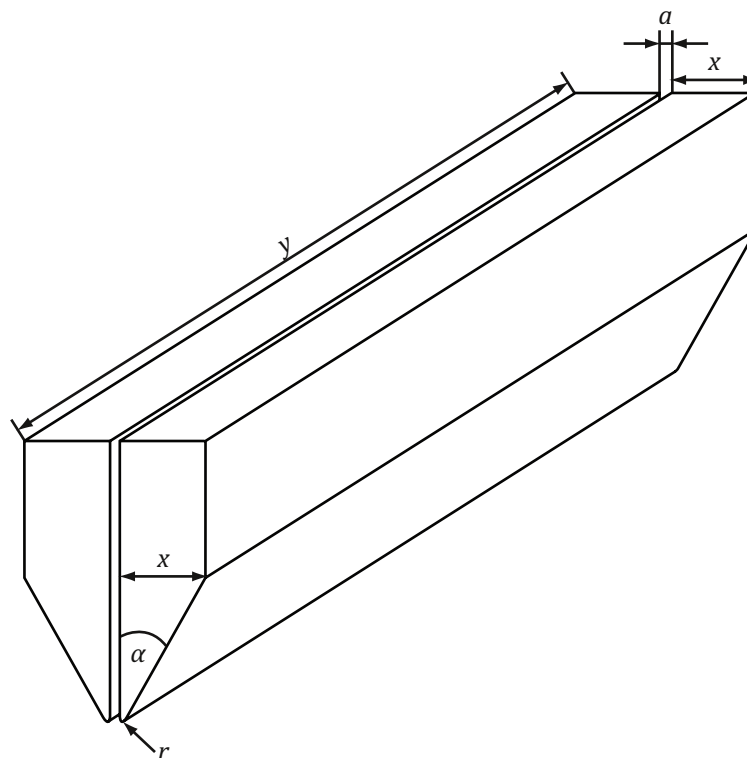


Figure 2 — Dimensions of the downholder

Key

y	>297 mm
x	10 mm \pm $0,5$ mm
a	2 mm \pm $0,3$ mm
r	2 mm \pm $0,3$ mm
α	$30^\circ \pm 1^\circ$

The downholder shall be adjustable in vertical direction and shall be fixed horizontally, parallel to the specimen holder. The vertical position of the downholder during testing shall be fixable. The clamping position of the downholder shall not change during the test.

The clamping procedure may be performed either manually or automatically (e.g. pneumatically).

NOTE For material testing systems with two moveable traverses, the downholder can be vertically non-adjustable.

To prevent adverse influences on the measurement results, uncontrolled resting of the downholder on the book block shall be avoided.

This may be achieved by a mass-compensated mounting of the downholder.

5.2.3 Specimen holder

The support for the book block shall enable a rectangular alignment of the page pulled and the spine according to [Figure 3](#). This shall either be performed by using additional appropriate supporting devices or preferentially by supports consisting of two horizontal plates. If the height alignment is performed by supports consisting of two horizontal plates, the facing edges of both plates shall be located perpendicularly below the gaps of the downholder and the sheet clamping unit. At least one of the plates shall allow continuous vertical adjustment and fixing in place. The vertical distance between the two plates shall be measurable. The plates shall be strong enough to show no bending under the combined load of the book block and the preload. The surface of the plates shall be smooth enough to allow a horizontal alignment of the specimen during the test procedure.

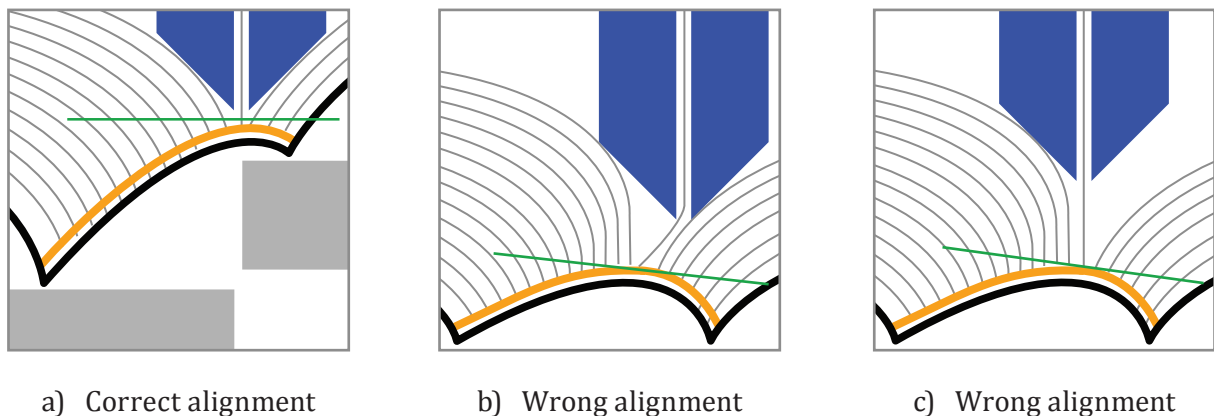


Figure 3 — Alignment of the test sheet and the spine with respect to the pulling direction

5.3 Calibration and adjustment of apparatus

The apparatus shall be able to be calibrated and shall be calibrated according to the manufacturer's guidelines and specifications. Verification of calibrated status should be made prior to any test being performed.

6 Test preparation

6.1 General

The aim of the testing of book blocks is to identify possible weaknesses in the binding quality. The number of samples tested depends on the thickness of the book block and the number of special sheets.

This test shall be performed with a sufficient time between production and testing to allow the full binding strength of the glue to be achieved. In addition, separate book blocks shall be used for each sample tested.

For book blocks with a thickness of at least 10 mm, there shall be a minimum of three sample sheets tested. These test sheets shall be located at 10 %, 50 % and 90 % of the total number of pages.

NOTE For example, for a book block of 100 pages, the test sheets are pages 10, 50 and 90.

For book blocks with a thickness less than 10 mm, there shall be at least one sheet tested.

In addition, each type of special sheet included in the book block shall be tested at least once. Special sheets are:

- sheets of differing type or thickness compared to the majority of the sheets;

- sheets with printed images extending into the spine;
- sheets with different fibre directions in relation to the spine.

There shall be at least five repeats of each test.

Tests not intended for quality assurance during production shall be performed with a time delay after production sufficient to ensure the full binding strength of the glue. The sufficient curing time of the glue is influenced by the type of glue used, the process parameters and the climatic conditions.

6.2 Sampling

The number of specimens to be tested depends on the number of copies produced.

Sampling should be performed according to ISO 186, if the available number of specimens is restricted and according to ISO 2859-1, if the number of specimens needs to be larger. There shall be prior agreement between parties on the schema of sampling.

More specimens than the number according to ISO 186 or ISO 2859-1 may be necessary.

Specimens showing obvious damage that is not related to the quality of the book binding shall be excluded from testing.

6.3 Conditioning

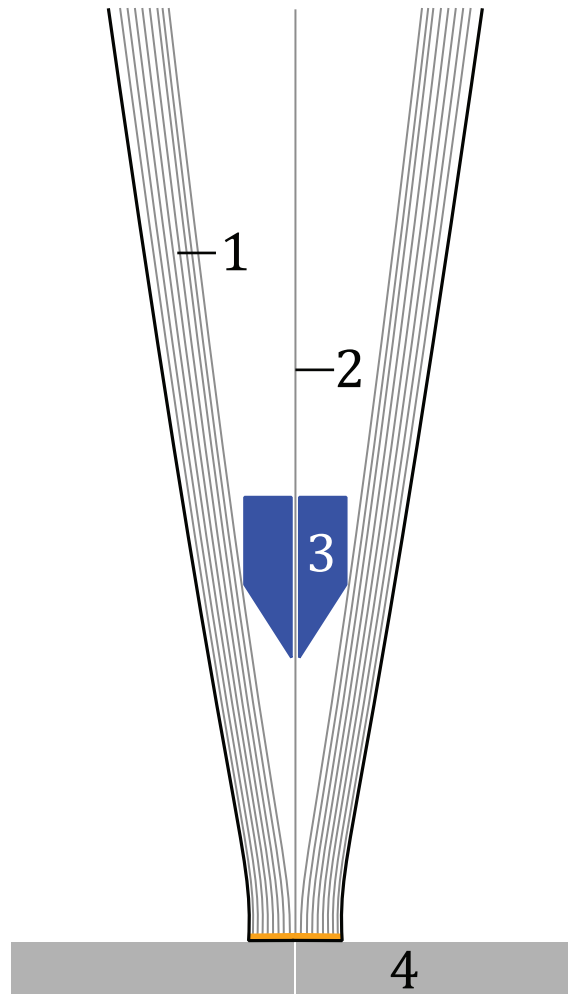
Tests for quality assurance during production (first party) should be performed at a temperature of $20\text{ °C} \pm 5\text{ °C}$ and a relative humidity between 35 % and 75 %.

Tests for quality verification after production (second and third parties) shall be performed according to ISO 187.

6.4 Insertion of the specimen

Insertion of the specimen, shown in [Figure 4](#), shall be accomplished as follows:

- a) Carefully open the book block at the test position, avoiding any load on the spine.
- b) Insert the test sheet into the gaps of the downholder and the sheet clamping unit.
- c) Position the opened specimen on the specimen holder by centering it in both horizontal directions such that the test sheet is located perpendicular to the gaps of the downholder and the sheet clamping unit.
- d) Ensure that the test sheet is straight and vertically aligned (no curves) between the binding edge and the sheet clamping unit. If the test sheet is not vertically aligned, especially in the area of the binding edge, an adjustment shall be performed. This may be particularly necessary for off-centre test positions. The relative position of the vertical alignment shall be recorded for each test position.



Key

- | | | | |
|---|------------|---|-----------------|
| 1 | specimen | 3 | downholder |
| 2 | test sheet | 4 | specimen holder |

Figure 4 — Insertion of the specimen

6.5 Application of the preload

Application of the preload, shown in [Figure 5](#), shall be accomplished as follows:

- Zero the force transducer.
- Apply a preload of $70 \text{ N} \pm 2 \text{ N}$ on the downholder (the speed of the upper traverse during the positioning of the downholder should be $50 \text{ mm/min} \pm 5 \text{ mm/min}$).
- Fix the position of the downholder once equilibrium has been achieved.

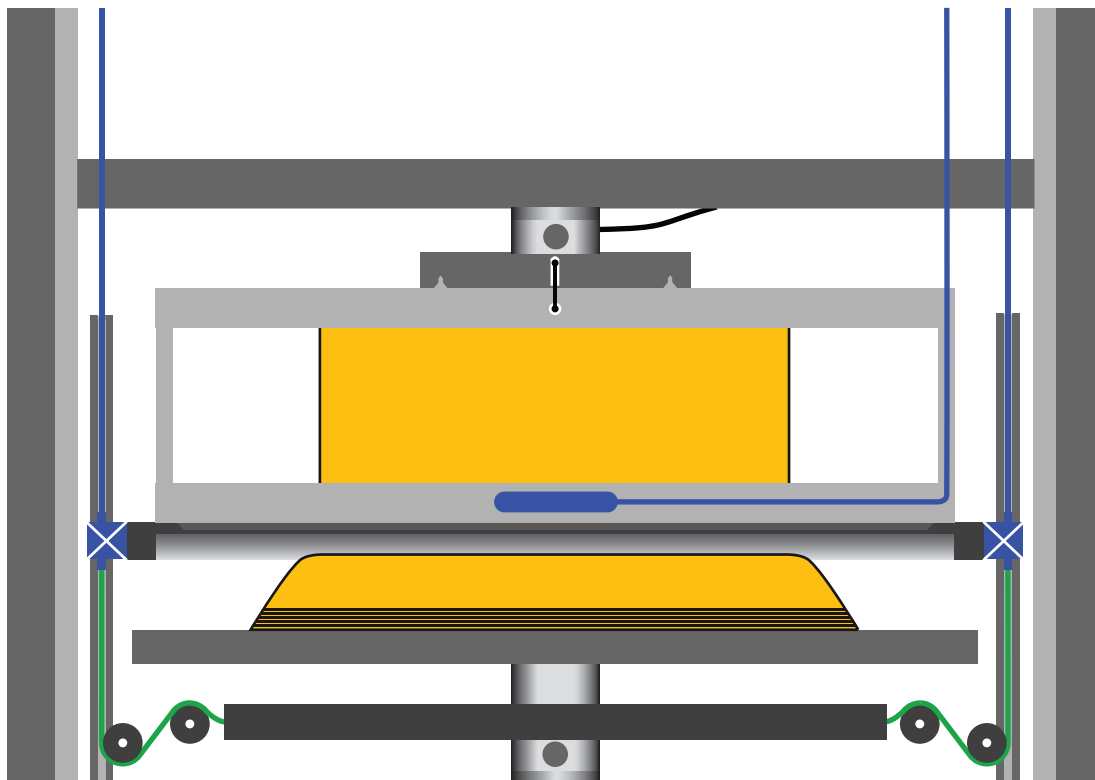


Figure 5 — Application of the preload (white crosses mark locked mechanisms)

6.6 Fixing the test sheet

Fixing the test sheet, shown in [Figure 6](#), shall be accomplished as follows:

- a) Unlock the vertical guide to separate the sheet clamping unit from the downholder.
- b) Wait until the sheet clamping unit is stationary.
- c) Zero the force transducer.
- d) Fix the test sheet in the sheet clamping unit.

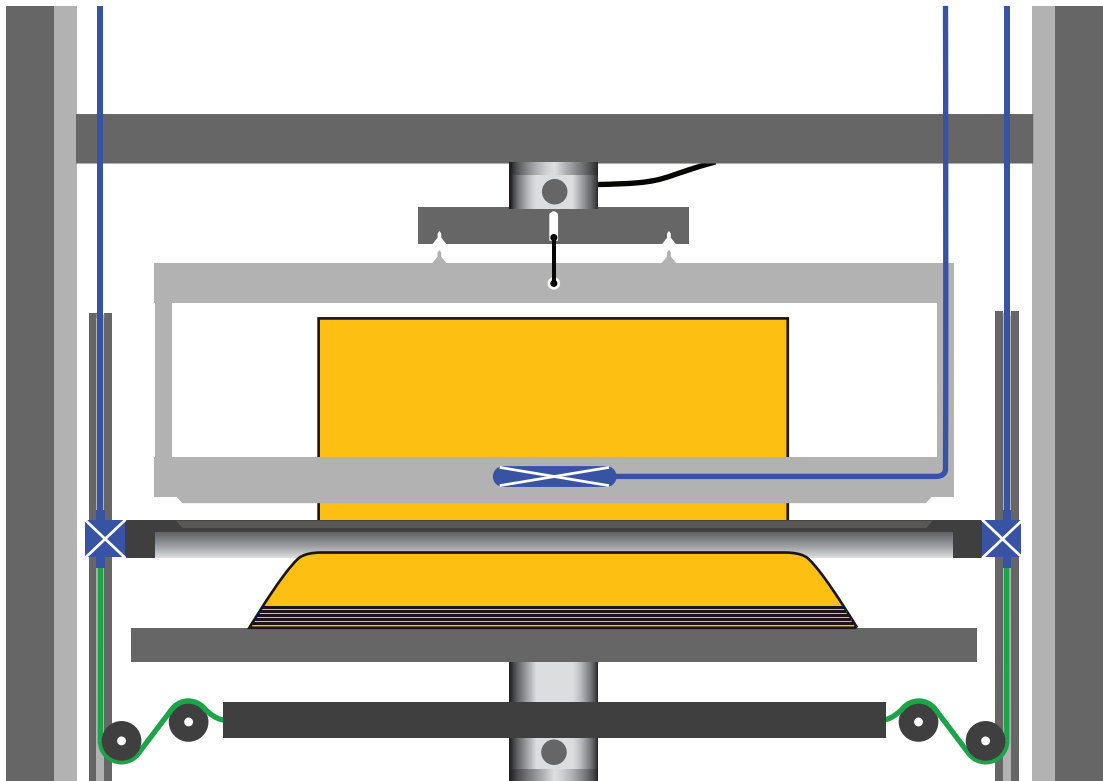


Figure 6 — Fixing the test sheet

6.7 Execution of the pull procedure

Execution of the pull procedure, shown in [Figure 7](#), shall be accomplished as follows:

- a) Apply force in the upward direction (tensile mode) with a speed of $20 \text{ mm/min} \pm 5 \text{ mm/min}$ until the test sheet is pulled out.
- b) Record the maximum force measured and the spine length of the book block.
- c) Observe the test procedure; recognize and record any effects.
- d) Inspect the test sheet after the test and record its state. The test sheet may:
 - be pulled out completely without significant damage;
 - be ruptured roughly parallel to the binding edge;
 - be ruptured not parallel to, but with the rupture extending to, the binding edge;
 - show significant glue penetration.

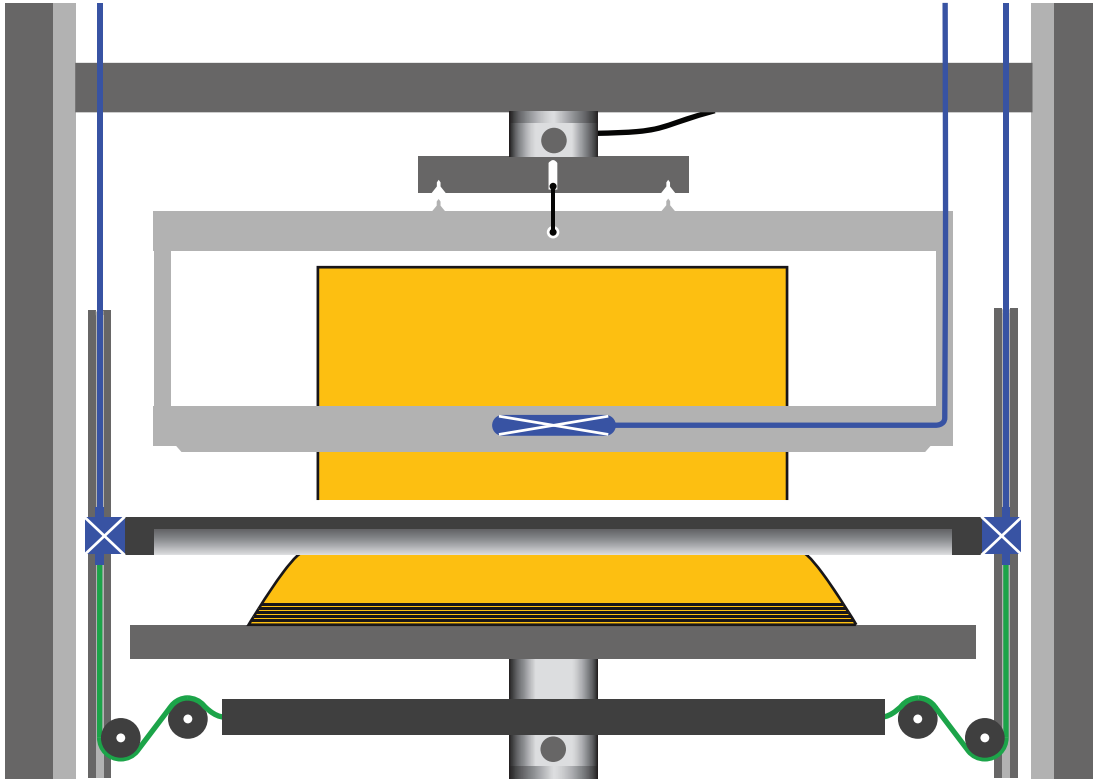


Figure 7 — Execution of the pull procedure

6.8 Calculation of the binding strength

The binding strength shall be calculated separately for each test position.

Measurement values of test sheets with glue penetration shall be excluded from any calculation. Measurement values of ruptured test sheets (both cases) shall be marked with a “>” (greater than).

The binding strength is calculated according to [Formula \(1\)](#):

$$BS = \frac{F_{\max}}{l} \quad (1)$$

where

BS is the binding strength [N/cm];

F_{\max} is the maximum force [N];

l is the spine length [cm].

The mean of all binding strength values is calculated for each test position. If at least one of the maximum forces for a test position is marked with a “>”, the mean shall also be marked with a “>”. Values marked with a “>” shall be excluded from the calculation of the coefficient of variation.

6.9 Calculation of the coefficient of variation

The coefficient of variation provides a statement on the variation of the test results for a particular test position and test run.

The coefficient of variation is calculated according to [Formula \(2\)](#):

$$CV = \frac{s}{\bar{x}} \quad (2)$$

where

CV is the coefficient of variation;

s is the sample standard deviation [N];

\bar{x} is the sample mean [N].

Typical consistency levels are given in [Annex B](#).

7 Precision

The repeatability and the variability of the measurements described in this document depend on both the measurement process itself and the homogeneity of the samples and their aging behaviour.

There is currently no data available on the repeatability of the measurement process.

During a research project^[1], the smallest standard deviation during page-pull testing of several series of samples according to this document was measured to be 0,27 N/cm (coefficient of variation = 0,033) and is regarded as representing the maximum variability of the measurement process.

8 Report

The test report shall include the following information:

- a) a reference to this document, i.e. ISO 19594;
- b) any deviation from this procedure;
- c) order data (client, order number);
- d) the date and place of testing and the name of the person who carried it out;
- e) all available information for identification and classification of the sample (e.g. title, product type, binding method, glue type, spine length, special sheets, number of specimens provided, production date);
- f) the sampling method;
- g) the test device (manufacture, type);
- h) the relative position of the vertical alignment of the specimen holder for each test position;
- i) the atmosphere used for conditioning and/or testing;
- j) the test positions;
- k) the binding strength for each measurement, test position and test run;
- l) the coefficient of variation for each test position and test run;
- m) observations during the test (e.g. glue penetration, ruptures).

Annex A (informative)

Quality levels for the binding strength based on page-pull tests

The quality levels for the evaluation of perfect-bound products by performing a page-pull test given in [Table A.1](#) are based on results of the Research and Engineering Council of the Graphic Arts Industry in the USA (quality grades for hot melt binding), further developed by Fogra Graphic Technology Research Association and published by the German Print and Media Industry Federation^{[2][3]}.

Table A.1 — Quality levels for the evaluation of perfect-bound products

Quality level	Binding strength [N/cm]
very good durability	>7,0
good durability	≤7,0 >6,1
sufficient durability	≤6,1 >5,1
poor durability	≤5,1

These quality levels were originally developed for the particular pull-test device of the manufacturer “Toni Behr”. This device is no longer available. Up to the present, these quality levels are not applicable to other commercial devices. The measurement results of the prototype pull-test device specified in this document were compared to the measurement results of a “Toni Behr” device (smallest standard deviation: 0,38 N/cm; coefficient of variation: 0,048) using 13 samples and performing 10 measurements each. The mean of the mean binding strength as measured with the prototype pull-test device specified in this document is 7 % lower than that of the “Toni Behr” device (coefficient of variation 0,12).

The existing quality levels are lower for hot melt bindings than for PUR and dispersion bindings. This is based on the assumption that, as a result of the clamp effect of hot melt bindings, a heavier opening stress is applied by the page-pull test than through real usage. This assumption now seems to be outdated and the quality levels for PUR and dispersion bindings, reduced by 7 %, are adopted in this document for all kinds of glues.

Annex B (informative)

Quality levels for the consistency of the binding quality

The quality levels for the evaluation of the consistency of the binding quality given in [Table B.1](#) are based on results of a case report published by the German Print and Media Industry Federation^[4].

Table B.1 — Quality levels for the consistency of the binding quality

Quality level	Coefficient of variation
very good consistency	$\leq 0,10$
good consistency	$> 0,10$ $\leq 0,15$
sufficient consistency	$> 0,15$ $\leq 0,20$
poor consistency	$> 0,20$

Bibliography

- [1] ARNE MÜLLER, FLORIAN HIRSCHHALMER (2013). *Factors that influence the page-pull test within the context of its further development into an optimized testing method suitable for standardization, Research report 70.004, Fogra*
- [2] The German Printing and Media Industries Federation (bvdm) (1991). *Applicability of the test methods page-pull test and flex test (item no. 87732)*
- [3] The German Printing and Media Industries Federation (bvdm) (1992). *Technical guidelines for the evaluation of perfect-bound products by performing a page-pull test (item no. 87738)*
- [4] The German Printing and Media Industries Federation (bvdm) (2009). *Further development of the test and evaluation methods of the perfect binding quality — case report (item no. 87218)*
- [5] THOMAS KUEN (2008). *Determination of quality grades for the evaluation of perfect-bound products using different test devices, Research report 71.006, Fogra*

British Standards Institution (BSI)

BSI is the national body responsible for preparing British Standards and other standards-related publications, information and services.

BSI is incorporated by Royal Charter. British Standards and other standardization products are published by BSI Standards Limited.

About us

We bring together business, industry, government, consumers, innovators and others to shape their combined experience and expertise into standards-based solutions.

The knowledge embodied in our standards has been carefully assembled in a dependable format and refined through our open consultation process. Organizations of all sizes and across all sectors choose standards to help them achieve their goals.

Information on standards

We can provide you with the knowledge that your organization needs to succeed. Find out more about British Standards by visiting our website at bsigroup.com/standards or contacting our Customer Services team or Knowledge Centre.

Buying standards

You can buy and download PDF versions of BSI publications, including British and adopted European and international standards, through our website at bsigroup.com/shop, where hard copies can also be purchased.

If you need international and foreign standards from other Standards Development Organizations, hard copies can be ordered from our Customer Services team.

Copyright in BSI publications

All the content in BSI publications, including British Standards, is the property of and copyrighted by BSI or some person or entity that owns copyright in the information used (such as the international standardization bodies) and has formally licensed such information to BSI for commercial publication and use.

Save for the provisions below, you may not transfer, share or disseminate any portion of the standard to any other person. You may not adapt, distribute, commercially exploit, or publicly display the standard or any portion thereof in any manner whatsoever without BSI's prior written consent.

Storing and using standards

Standards purchased in soft copy format:

- A British Standard purchased in soft copy format is licensed to a sole named user for personal or internal company use only.
- The standard may be stored on more than 1 device provided that it is accessible by the sole named user only and that only 1 copy is accessed at any one time.
- A single paper copy may be printed for personal or internal company use only.

Standards purchased in hard copy format:

- A British Standard purchased in hard copy format is for personal or internal company use only.
- It may not be further reproduced – in any format – to create an additional copy. This includes scanning of the document.

If you need more than 1 copy of the document, or if you wish to share the document on an internal network, you can save money by choosing a subscription product (see 'Subscriptions').

Reproducing extracts

For permission to reproduce content from BSI publications contact the BSI Copyright & Licensing team.

Subscriptions

Our range of subscription services are designed to make using standards easier for you. For further information on our subscription products go to bsigroup.com/subscriptions.

With **British Standards Online (BSOL)** you'll have instant access to over 55,000 British and adopted European and international standards from your desktop. It's available 24/7 and is refreshed daily so you'll always be up to date.

You can keep in touch with standards developments and receive substantial discounts on the purchase price of standards, both in single copy and subscription format, by becoming a **BSI Subscribing Member**.

PLUS is an updating service exclusive to BSI Subscribing Members. You will automatically receive the latest hard copy of your standards when they're revised or replaced.

To find out more about becoming a BSI Subscribing Member and the benefits of membership, please visit bsigroup.com/shop.

With a **Multi-User Network Licence (MUNL)** you are able to host standards publications on your intranet. Licences can cover as few or as many users as you wish. With updates supplied as soon as they're available, you can be sure your documentation is current. For further information, email subscriptions@bsigroup.com.

Revisions

Our British Standards and other publications are updated by amendment or revision.

We continually improve the quality of our products and services to benefit your business. If you find an inaccuracy or ambiguity within a British Standard or other BSI publication please inform the Knowledge Centre.

Useful Contacts

Customer Services

Tel: +44 345 086 9001

Email (orders): orders@bsigroup.com

Email (enquiries): cservices@bsigroup.com

Subscriptions

Tel: +44 345 086 9001

Email: subscriptions@bsigroup.com

Knowledge Centre

Tel: +44 20 8996 7004

Email: knowledgecentre@bsigroup.com

Copyright & Licensing

Tel: +44 20 8996 7070

Email: copyright@bsigroup.com

BSI Group Headquarters

389 Chiswick High Road London W4 4AL UK