

BS ISO 19095-2:2015



BSI Standards Publication

Plastics — Evaluation of the adhesion interface performance in plastic-metal assemblies

Part 2: Test specimens

bsi.

...making excellence a habit.™

National foreword

This British Standard is the UK implementation of ISO 19095-2:2015.

The UK participation in its preparation was entrusted to Technical Committee PRI/52, Adhesives.

A list of organizations represented on this committee can be obtained on request to its secretary.

This publication does not purport to include all the necessary provisions of a contract. Users are responsible for its correct application.

© The British Standards Institution 2015. Published by BSI Standards Limited 2015

ISBN 978 0 580 85346 3

ICS 83.180

Compliance with a British Standard cannot confer immunity from legal obligations.

This British Standard was published under the authority of the Standards Policy and Strategy Committee on 31 August 2015.

Amendments issued since publication

Date	Text affected
------	---------------

INTERNATIONAL
STANDARD

ISO
19095-2

First edition
2015-08-01

**Plastics — Evaluation of the adhesion
interface performance in plastic-
metal assemblies —**

Part 2:
Test specimens

*Plastiques — Évaluation des performances de l'interface d'adhérence
dans les assemblages plastique-métal —*

Partie 2: Éprouvettes pour essai



Reference number
ISO 19095-2:2015(E)



COPYRIGHT PROTECTED DOCUMENT

© ISO 2015, Published in Switzerland

All rights reserved. Unless otherwise specified, no part of this publication may be reproduced or utilized otherwise in any form or by any means, electronic or mechanical, including photocopying, or posting on the internet or an intranet, without prior written permission. Permission can be requested from either ISO at the address below or ISO's member body in the country of the requester.

ISO copyright office
Ch. de Blandonnet 8 • CP 401
CH-1214 Vernier, Geneva, Switzerland
Tel. +41 22 749 01 11
Fax +41 22 749 09 47
copyright@iso.org
www.iso.org

Contents

	Page
Foreword	iv
Introduction	v
1 Scope	1
2 Normative references	1
3 Preparation of test specimens	1
4 Type of test specimens	2
4.1 Butt welded test specimens (type A).....	2
4.2 Overlapped test specimens (type B).....	2
4.3 Test specimens for the peeling test (type C).....	2
4.4 Test specimens for sealing properties (type D).....	3
5 Report	4
Annex A (normative) Overlapped test specimens for sealing properties (type D.2)	6

Foreword

ISO (the International Organization for Standardization) is a worldwide federation of national standards bodies (ISO member bodies). The work of preparing International Standards is normally carried out through ISO technical committees. Each member body interested in a subject for which a technical committee has been established has the right to be represented on that committee. International organizations, governmental and non-governmental, in liaison with ISO, also take part in the work. ISO collaborates closely with the International Electrotechnical Commission (IEC) on all matters of electrotechnical standardization.

The procedures used to develop this document and those intended for its further maintenance are described in the ISO/IEC Directives, Part 1. In particular the different approval criteria needed for the different types of ISO documents should be noted. This document was drafted in accordance with the editorial rules of the ISO/IEC Directives, Part 2 (see www.iso.org/directives).

Attention is drawn to the possibility that some of the elements of this document may be the subject of patent rights. ISO shall not be held responsible for identifying any or all such patent rights. Details of any patent rights identified during the development of the document will be in the Introduction and/or on the ISO list of patent declarations received (see www.iso.org/patents).

Any trade name used in this document is information given for the convenience of users and does not constitute an endorsement.

For an explanation on the meaning of ISO specific terms and expressions related to conformity assessment, as well as information about ISO's adherence to the WTO principles in the Technical Barriers to Trade (TBT) see the following URL: [Foreword - Supplementary information](#)

The committee responsible for this document is ISO/TC 61, *Plastics*, Subcommittee SC 11, *Products*.

ISO 19095 consists of the following parts, under the general title *Plastics — Evaluation of the adhesion interface performance in plastic-metal assemblies*:

- *Part 1: Guidelines for the approach*
- *Part 2: Test specimens*
- *Part 3: Test methods*
- *Part 4: Environmental conditions for durability*

Introduction

Structures of heterogeneous materials are being manufactured in the automobiles and aerospace industry sectors where higher safety margins are required.

The existing test methods are not appropriate because the evaluation of the plastic-metal interface performance is difficult as the polymer material has a relatively low mechanical strength and therefore fractures outside the joints. Therefore, it is necessary to develop a methodology for the evaluation of the plastic-metal interface performance.

A test method to evaluate accurately the adhesion interface performance or standardization of long-term evaluation under harsh environments is also necessary.

The method in ISO 19095 is intended to ensure the integrity of the interface is realized through the interface and that traceability of the value improves the data comparison.

This part of ISO 19095 defines the appropriate form of test pieces when considering plastic-metal interfaces that cannot be evaluated by the existing ISO standards.

Plastics — Evaluation of the adhesion interface performance in plastic-metal assemblies —

Part 2: Test specimens

SAFETY STATEMENT — Persons using this part of ISO 19095 should be familiar with normal laboratory practice, if applicable. This part of ISO 19095 does not purport to address all of the safety problems, if any, associated with its use. It is the responsibility of the user to establish appropriate safety and health practices and to ensure compliance with any regulatory conditions. It is recognized that some of the materials permitted in this part of ISO 19095 might have a negative environmental impact. As technological advances lead to more acceptable alternatives for such materials, they will be eliminated to the greatest extent possible. At the end of the test, care should be taken to dispose of all waste in an appropriate manner in accordance with local regulations.

1 Scope

This part of ISO 19095 specifies the test specimens for the evaluation of the adhesion interface performance in plastic-metal assemblies.

2 Normative references

The following documents, in whole or in part, are normatively referenced in this document and are indispensable for its application. For dated references, only the edition cited applies. For undated references, the latest edition of the referenced document (including any amendments) applies.

ISO 293:2004, *Plastics — Compression moulding of test specimens of thermoplastic materials*

ISO 294-1:1996, *Plastics — Injection moulding of test specimens of thermoplastic materials — Part 1: General principles, and moulding of multipurpose and bar test specimens*

ISO 294-2:1996, *Plastics — Injection moulding of test specimens of thermoplastic materials — Part 2: Small tensile bars*

ISO 295:2004, *Plastics — Compression moulding of test specimens of thermosetting materials*

ISO 10724-1:1998, *Plastics — Injection moulding of test specimens of thermosetting powder moulding compounds (PMCs) — Part 1: General principles and moulding of multipurpose test specimens*

ISO 10724-2:1998, *Plastics — Injection moulding of test specimens of thermosetting powder moulding compounds (PMCs) — Part 2: Small plates*

ISO 17212, *Structural adhesives — Guidelines for the surface preparation of metals and plastics prior to adhesive bonding*

3 Preparation of test specimens

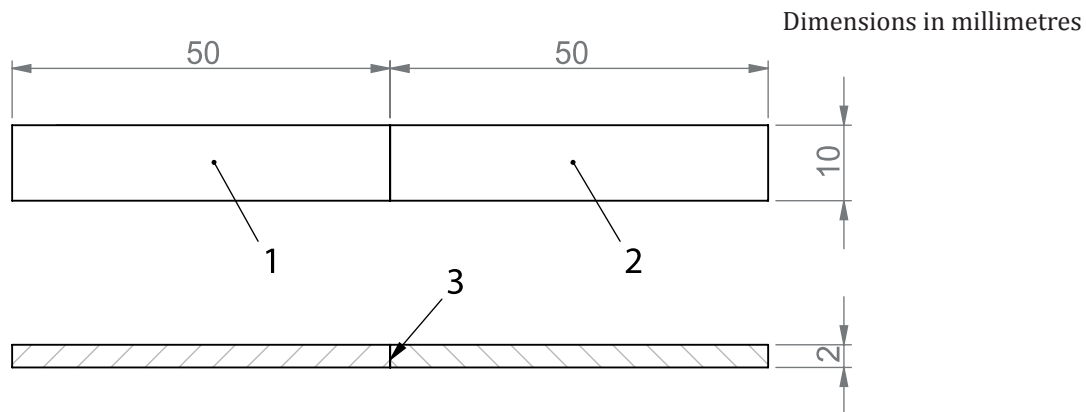
Surface preparation shall be carried out in accordance with the requirements of ISO 17212.

Otherwise, the method of carrying it out shall be recorded.

4 Type of test specimens

4.1 Butt welded test specimens (type A)

The shape and dimensions are shown in [Figure 1](#).



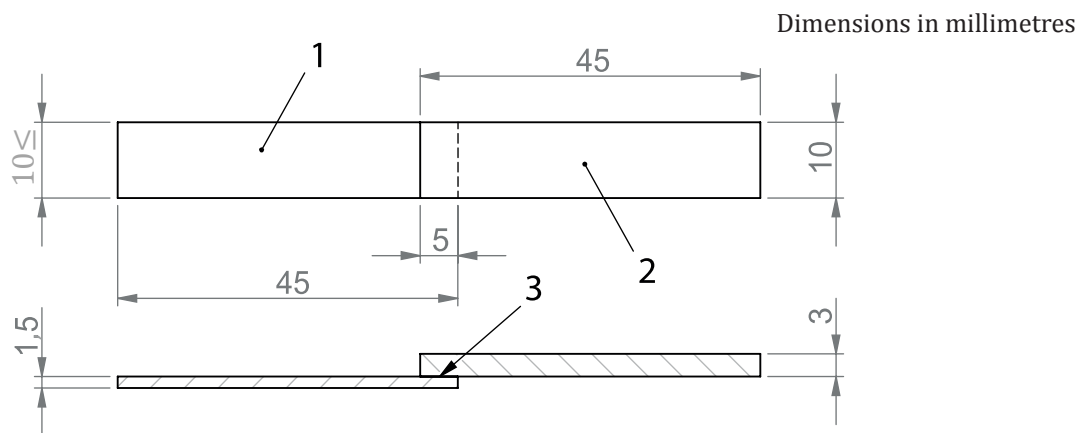
Key

- 1 metal specimen
- 2 plastic specimen
- 3 interface

Figure 1 — Shape and dimensions of type A (example)

4.2 Overlapped test specimens (type B)

The shape and dimensions are shown in [Figure 2](#).



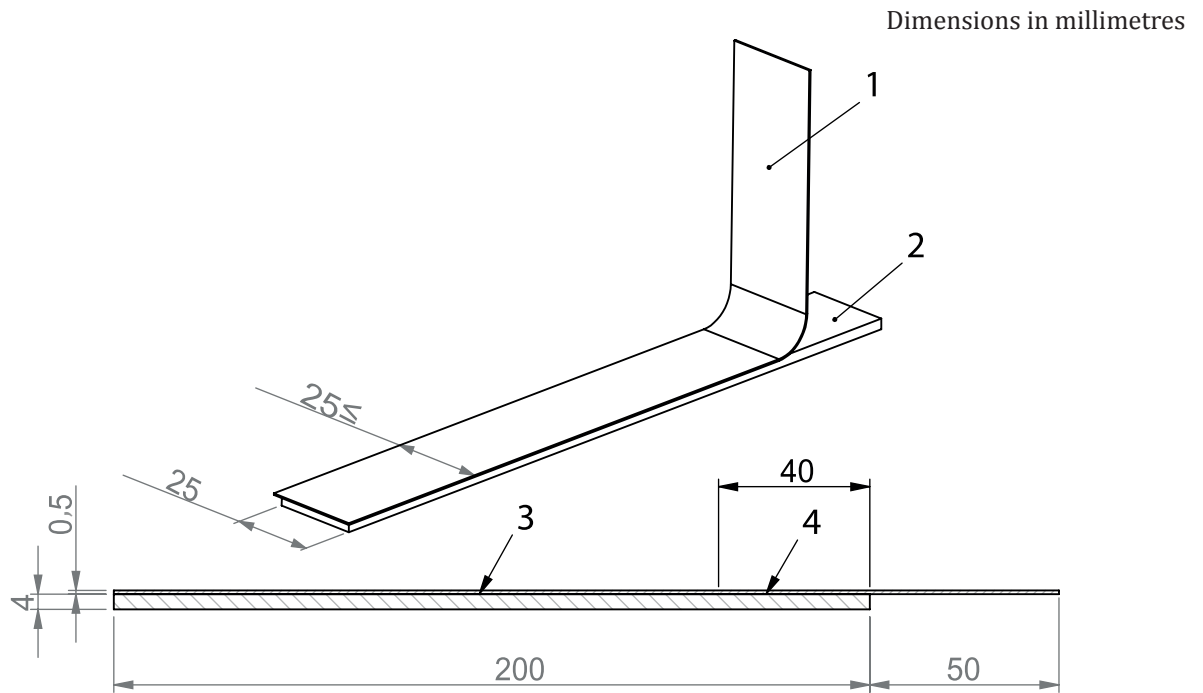
Key

- 1 metal specimen
- 2 plastic specimen
- 3 interface

Figure 2 — Shape and dimensions of type B (example)

4.3 Test specimens for the peeling test (type C)

The shape and dimensions are shown in [Figure 3](#).



Key

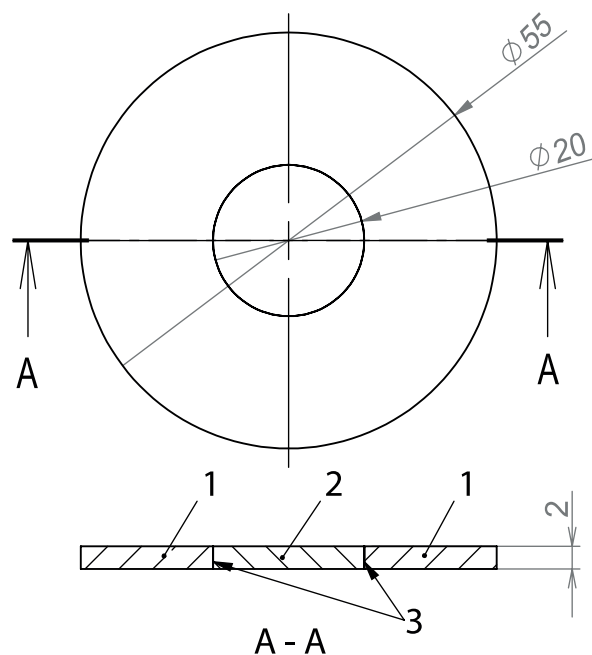
- 1 flexible metal specimen
- 2 plastic specimen
- 3 interface
- 4 not jointed length, 40 mm

Figure 3 — Shape and dimensions of type C (example)

4.4 Test specimens for sealing properties (type D)

The shape and dimensions are shown in [Figure 4](#).

Dimensions in millimetres



Key

- 1 metal
- 2 plastic
- 3 interface

Figure 4 — Shape and dimensions of type D (example)

NOTE If type D specimen cannot be manufactured, the specimen shown in [Annex A](#) can be used alternatively.

5 Report

The test report shall include the following information:

- a) the number of this part of ISO 19095, i.e. ISO 19095-2;
- b) the types (shape and size) of specimens;
- c) the preparing condition and the testing condition of specimens;
- d) the method of preparing the specimens;
- e) surface treatment of metal piece;
- f) the number of tests;
- g) the average of measured characteristic values, as representative values of measured properties;
- h) the date of measurement;
- i) other instructions to be specified;
- j) see the following standards on a basis of moulding method:
 - for the compression moulded test specimens of thermoplastic materials, in accordance with ISO 293:2004, Clause 7 a) to i);

- for the injection moulded test specimens of thermoplastic materials, in accordance with ISO 294-1:1996, Clause 6 a) to h) and ISO 294-2:1996, Clause 6;
 - for the compression moulded test specimens of thermosetting materials, in accordance with ISO 295:2004, Clause 10;
 - for the compression moulded test specimens of thermosetting powders (PMC), in accordance with ISO 10724-1:1998, Clause 6 a) to h) and ISO 10724-2:1998, Clause 6 a) to h).
- k) the types, processing methods, and processing conditions of metal;
 - l) the number of prepared test specimens;
 - m) the preparation dates of test specimens.

Annex A (normative)

Overlapped test specimens for sealing properties (type D.2)

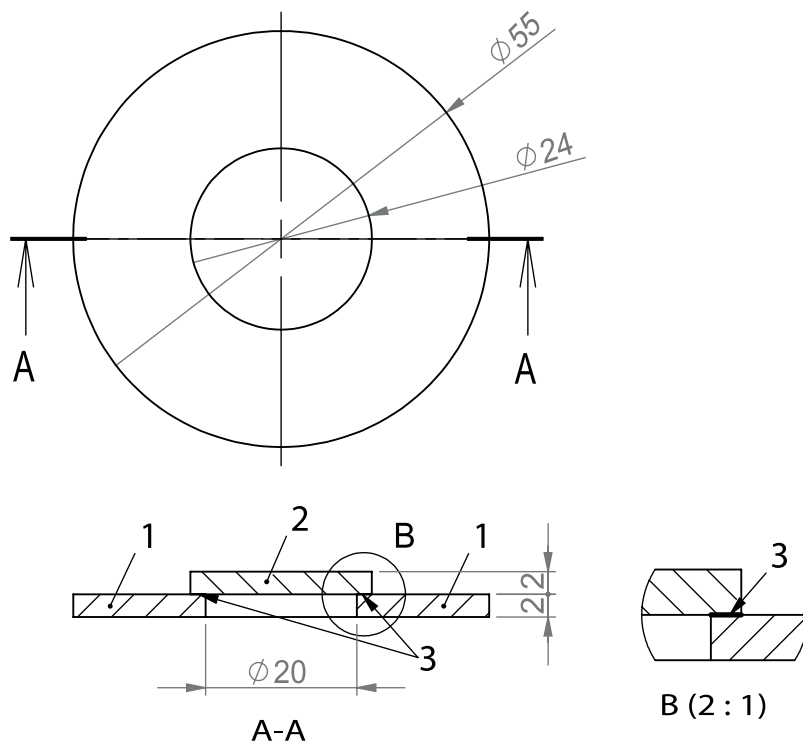
A.1 General

This annex specifies the shapes and dimensions of the alternative specimens if the type D specimen cannot be manufactured in 4.4.

A.2 Shape and dimensions

The shapes and dimensions are shown in [Figure A.1](#) and [Figure A.2](#).

Dimensions in millimetres

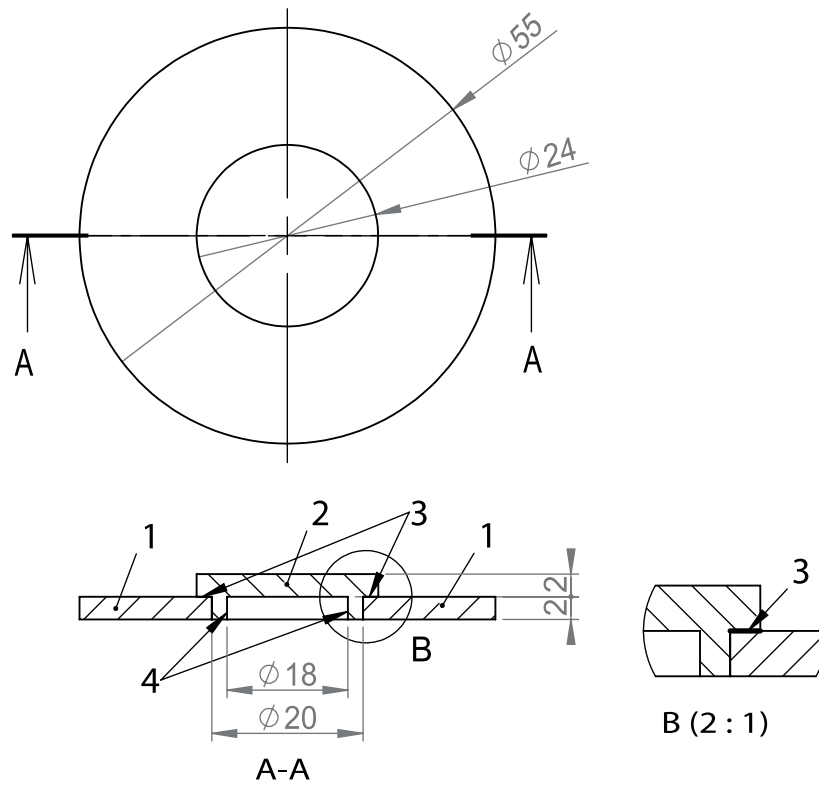


Key

- 1 metal
- 2 plastic
- 3 interface area

Figure A.1 — Shape and dimensions of type D.2.1 (example)

Dimensions in millimetres



Key

- 1 metal
- 2 plastic
- 3 interface area
- 4 centre guide

Figure A.2 — Shape and dimensions of type D.2.2 (example)

British Standards Institution (BSI)

BSI is the national body responsible for preparing British Standards and other standards-related publications, information and services.

BSI is incorporated by Royal Charter. British Standards and other standardization products are published by BSI Standards Limited.

About us

We bring together business, industry, government, consumers, innovators and others to shape their combined experience and expertise into standards-based solutions.

The knowledge embodied in our standards has been carefully assembled in a dependable format and refined through our open consultation process. Organizations of all sizes and across all sectors choose standards to help them achieve their goals.

Information on standards

We can provide you with the knowledge that your organization needs to succeed. Find out more about British Standards by visiting our website at bsigroup.com/standards or contacting our Customer Services team or Knowledge Centre.

Buying standards

You can buy and download PDF versions of BSI publications, including British and adopted European and international standards, through our website at bsigroup.com/shop, where hard copies can also be purchased.

If you need international and foreign standards from other Standards Development Organizations, hard copies can be ordered from our Customer Services team.

Subscriptions

Our range of subscription services are designed to make using standards easier for you. For further information on our subscription products go to bsigroup.com/subscriptions.

With **British Standards Online (BSOL)** you'll have instant access to over 55,000 British and adopted European and international standards from your desktop. It's available 24/7 and is refreshed daily so you'll always be up to date.

You can keep in touch with standards developments and receive substantial discounts on the purchase price of standards, both in single copy and subscription format, by becoming a **BSI Subscribing Member**.

PLUS is an updating service exclusive to BSI Subscribing Members. You will automatically receive the latest hard copy of your standards when they're revised or replaced.

To find out more about becoming a BSI Subscribing Member and the benefits of membership, please visit bsigroup.com/shop.

With a **Multi-User Network Licence (MUNL)** you are able to host standards publications on your intranet. Licences can cover as few or as many users as you wish. With updates supplied as soon as they're available, you can be sure your documentation is current. For further information, email bsmusales@bsigroup.com.

BSI Group Headquarters

389 Chiswick High Road London W4 4AL UK

Revisions

Our British Standards and other publications are updated by amendment or revision.

We continually improve the quality of our products and services to benefit your business. If you find an inaccuracy or ambiguity within a British Standard or other BSI publication please inform the Knowledge Centre.

Copyright

All the data, software and documentation set out in all British Standards and other BSI publications are the property of and copyrighted by BSI, or some person or entity that owns copyright in the information used (such as the international standardization bodies) and has formally licensed such information to BSI for commercial publication and use. Except as permitted under the Copyright, Designs and Patents Act 1988 no extract may be reproduced, stored in a retrieval system or transmitted in any form or by any means – electronic, photocopying, recording or otherwise – without prior written permission from BSI. Details and advice can be obtained from the Copyright & Licensing Department.

Useful Contacts:

Customer Services

Tel: +44 845 086 9001

Email (orders): orders@bsigroup.com

Email (enquiries): cservices@bsigroup.com

Subscriptions

Tel: +44 845 086 9001

Email: subscriptions@bsigroup.com

Knowledge Centre

Tel: +44 20 8996 7004

Email: knowledgecentre@bsigroup.com

Copyright & Licensing

Tel: +44 20 8996 7070

Email: copyright@bsigroup.com



...making excellence a habit.™