

BS ISO 18842:2015



BSI Standards Publication

Aluminium oxide primarily used for the production of aluminium — Method for the determination of tapped and untapped density

bsi.

...making excellence a habit.™

National foreword

This British Standard is the UK implementation of ISO 18842:2015.

The UK participation in its preparation was entrusted to Technical Committee CII/24, Raw materials for the aluminium industry.

A list of organizations represented on this committee can be obtained on request to its secretary.

This publication does not purport to include all the necessary provisions of a contract. Users are responsible for its correct application.

© The British Standards Institution 2015.
Published by BSI Standards Limited 2015

ISBN 978 0 580 84996 1

ICS 71.100.10

Compliance with a British Standard cannot confer immunity from legal obligations.

This British Standard was published under the authority of the Standards Policy and Strategy Committee on 31 August 2015.

Amendments/corrigenda issued since publication

Date	Text affected
------	---------------

**Aluminium oxide primarily used
for the production of aluminium —
Method for the determination of
tapped and untapped density**

*Oxyde d'aluminium principalement utilisé pour la production
d'aluminium — Méthode de détermination de la masse volumique
tassée ou inexploitée*





COPYRIGHT PROTECTED DOCUMENT

© ISO 2015, Published in Switzerland

All rights reserved. Unless otherwise specified, no part of this publication may be reproduced or utilized otherwise in any form or by any means, electronic or mechanical, including photocopying, or posting on the internet or an intranet, without prior written permission. Permission can be requested from either ISO at the address below or ISO's member body in the country of the requester.

ISO copyright office
Ch. de Blandonnet 8 • CP 401
CH-1214 Vernier, Geneva, Switzerland
Tel. +41 22 749 01 11
Fax +41 22 749 09 47
copyright@iso.org
www.iso.org

Contents

	Page
Foreword	iv
Introduction	v
1 Scope	1
2 Normative references	1
3 Principle	1
4 Apparatus	1
5 Sample handling and preparation	2
6 Procedure	2
6.1 Moisture determination.....	2
6.2 Untapped bulk density determination.....	2
6.3 Tapped bulk density determination.....	3
7 Calculation and reporting of results	3
8 Precision	3
9 Test report	4
Bibliography	7

Foreword

ISO (the International Organization for Standardization) is a worldwide federation of national standards bodies (ISO member bodies). The work of preparing International Standards is normally carried out through ISO technical committees. Each member body interested in a subject for which a technical committee has been established has the right to be represented on that committee. International organizations, governmental and non-governmental, in liaison with ISO, also take part in the work. ISO collaborates closely with the International Electrotechnical Commission (IEC) on all matters of electrotechnical standardization.

The procedures used to develop this document and those intended for its further maintenance are described in the ISO/IEC Directives, Part 1. In particular the different approval criteria needed for the different types of ISO documents should be noted. This document was drafted in accordance with the editorial rules of the ISO/IEC Directives, Part 2 (see www.iso.org/directives).

Attention is drawn to the possibility that some of the elements of this document may be the subject of patent rights. ISO shall not be held responsible for identifying any or all such patent rights. Details of any patent rights identified during the development of the document will be in the Introduction and/or on the ISO list of patent declarations received (see www.iso.org/patents).

Any trade name used in this document is information given for the convenience of users and does not constitute an endorsement.

For an explanation on the meaning of ISO specific terms and expressions related to conformity assessment, as well as information about ISO's adherence to the WTO principles in the Technical Barriers to Trade (TBT) see the following URL: [Foreword - Supplementary information](#)

The committee responsible for this document is ISO/TC 226, *Materials for the production of primary aluminium*.

Introduction

This International Standard is based on the Australian Standard AS 2879.8.

Aluminium oxide primarily used for the production of aluminium — Method for the determination of tapped and untapped density

1 Scope

This International Standard describes methods for the determination of tapped and untapped bulk density of smelter grade aluminium oxide primarily used for the production of aluminium.

Methods using the fall of sample into a receptacle have been found to be sensitive to flow rate variations, which are caused by physical properties of the aluminium oxide.

This International Standard minimizes flow rate variations.

2 Normative references

The following documents, in whole or in part, are normatively referenced in this document and are indispensable for its application. For dated references, only the edition cited applies. For undated references, the latest edition of the referenced document (including any amendments) applies.

ISO 806, *Aluminium oxide primarily used for the production of aluminium — Determination of loss of mass at 300 °C and 1 000 °C*

AS 4538.2, *Guide to the sampling of alumina — Preparation of samples*

3 Principle

A test portion of the sample is allowed to fall in a narrow stream from a container onto a small metal impact plate from which the stream spreads and falls into a receiving vessel of known volume. The mass of test portion filling the vessel is determined and untapped bulk density is calculated on a moisture-free (300 °C) basis. The material in the receiver is then compacted by tapping the container while further sample is added so that tapped bulk density can be determined, again, on a moisture-free basis. The loss of mass at 300 °C is determined on a test portion of sample, this value is used in the calculation of tapped and untapped bulk density on a moisture-free basis.

4 Apparatus

4.1 Sample delivery apparatus, as shown in [Figure 1](#), constructed entirely of an abrasion resistant material, e.g. stainless steel, brass or aluminium. The orifice plate slides a 5 mm orifice beneath the delivery vessel to begin or terminate sample flow into the delivery tube.

4.2 Receiver, a cylindrical container of volume (200 ± 10) ml, having internal length-to-diameter ratio of approximately 6:1 with the exact volume V determined accurately by temperature corrected water mass and constructed of a material that precludes permanent deformation or damage on moderate tapping of the container. Metal or plastic is preferred.

NOTE An error of 0,5 ml in the volume determination will cause an error of 3,0 kg/m³ in the bulk density.

4.3 Laboratory top-pan balance, capable of weighing 500 g to nearest 0,1 g.

4.4 Metal straight edge.

4.5 Sieve, with a minimum opening of 300 μm and a maximum opening of 1 000 μm .

4.6 Tapper, a suitable instrument used for tapping, for example a wooden brush handle or a nylon-head hammer.

4.7 Brush, (10 to 30) mm wide bristled brush.

5 Sample handling and preparation

5.1 The sample shall be conditioned by exposure to the laboratory atmosphere for a minimum of 2 h in a layer of 5 mm maximum thickness, then mixed and divided into test portions prior to analysis. Test portions of approximately 300 g are to be used for each determination. Mixing and splitting of the sample into test portions shall be done in accordance with AS 4538.2.

5.2 Another test portion of approximately 50 g shall be taken into an airtight container for moisture analysis.

6 Procedure

6.1 Moisture determination

The loss of mass at 300 °C of the 50 g test portion (5.2) from the conditioned sample shall be determined as percent loss of mass at 300 °C in accordance with ISO 806.

NOTE By industry convention, loss of mass at 300 °C is often referred to as “moisture” or “moisture on ignition (MOI)”.

6.2 Untapped bulk density determination

The determination shall be carried out as follows:

- a) Set up the apparatus as shown in [Figure 2](#), in a vibration-free environment ensuring that the delivery apparatus (4.1) is vertical and during the procedure in steps f) to h) take care to strictly minimize vibration or disturbance of the apparatus.
- b) Weigh the empty receiver (4.2) to nearest 0,1 g (m_1).
- c) Position the receiver centrally below the delivery apparatus (4.1) as shown in [Figure 2](#).
- d) Slide the orifice plate to close the 5 mm orifice so preventing entry of the test portion into the delivery tube.
- e) Add the test portion to the delivery vessel, through the sieve (4.5), discarding any oversize material.
- f) Slide the orifice open to allow full flow of sample through the delivery tube and fill the receiver until just overflowing. Some fine airborne sample may escape the apparatus: as the mass of this is small, results will not be significantly affected.
- g) Slide the orifice closed to terminate the flow of sample.
- h) Draw a straight edge (4.4) across the top of the receiver to remove excess sample, leaving the sample flat and level with the top of the receiver.
- i) Using a brush (4.7), remove any sample adhering to the outside of the receiver.
- j) Weigh the receiver and sample to the nearest 0,1 g (m_2).

6.3 Tapped bulk density determination

The determination shall be carried out as follows:

- a) Using the sample in the receiver [6.2 j)], tap the sides of the receiver with a the tapper (4.6) The tapping force shall be sufficient to cause settling of the sample but not cause ejection of the sample or damage to the receiver.
- b) Add more sample from the delivery apparatus to fill the space above the sample pile and tap as in step [6.3 a)].
- c) Repeat step [6.3 b)] until no more settling of the sample can be achieved by tapping.
- d) Draw a straight edge across the top of the receiver to remove excess sample, leaving the sample flat and level with the top of the receiver.
- e) Using a brush, remove any sample adhering to the outside of the receiver.
- f) Weigh the receiver and sample to the nearest 0,1 g (m_3).

7 Calculation and reporting of results

Untapped and tapped density results are reported on a moisture-free basis.

Calculate the untapped density as follows:

$$D_u = \left\{ \frac{m_2 - m_1}{V} \times \frac{100 - M}{100} \right\} \times 1\,000 \quad (1)$$

Calculate the tapped density as follows:

$$D_t = \left\{ \frac{m_3 - m_1}{V} \times \frac{100 - M}{100} \right\} \times 1\,000 \quad (2)$$

where

D_u is the untapped bulk density in kilograms per cubic metre;

D_t is the tapped bulk density in kilograms per cubic metre;

m_1 is the empty mass of the receiver, in grams;

m_2 is the mass of the receiver and sample after unpacked bulk density determination, in grams;

m_3 is the mass of the receiver and sample after packed bulk density determination, in grams;

V is the volume of the receiver, in millilitres;

M is the loss of moisture at 300 °C of conditioned sample as percent.

Report untapped and tapped bulk density in kilograms per cubic metre and rounded to nearest 1 kg/m³.

8 Precision

A planned trial of the method was carried out in accordance with AS 2850. Samples of four smelter grade aluminas from different refineries were analysed. Results were provided in quadruplicate by six laboratories. The within laboratory (r) and between laboratory (R) precision data (at 95 % confidence limits) calculated from the results are given in [Table 1](#).

Table 1 — Precision data for bulk density (moisture corrected)

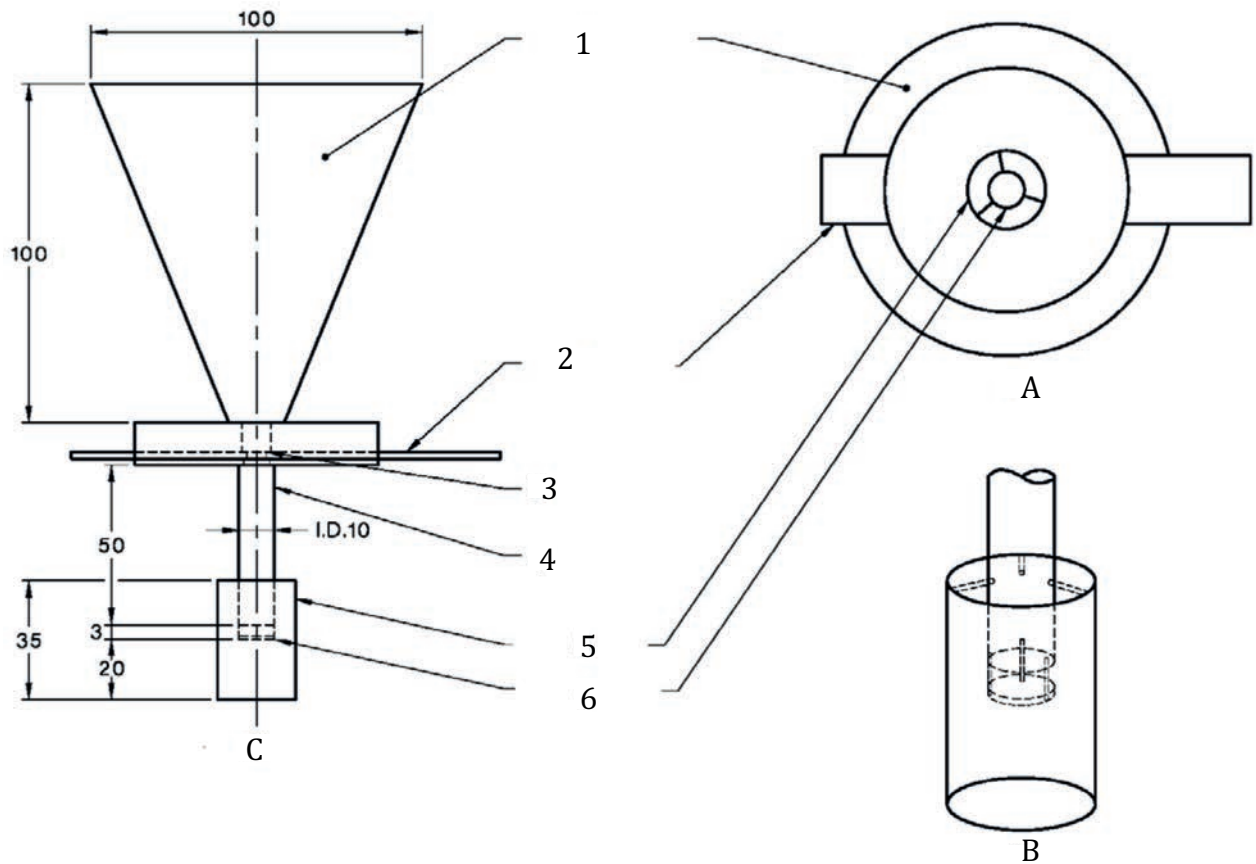
Bulk density	Bulk density range	Repeatability <i>r</i>	Reproducibility <i>R</i>
Untapped (kg/m³)	All samples	13	31
Tapped (kg/m³)	All samples	14	52

9 Test report

The test report shall include the following information:

- a) the identification of the sample;
- b) a reference to this International Standard, i.e. ISO 18842:2015;
- c) the untapped bulk density for the sample;
- d) the tapped bulk density for the sample;
- e) the date on which the test was carried out;
- f) any unusual observations made during the course of the test which may have had an effect on the result.

Dimensions are in millimetres

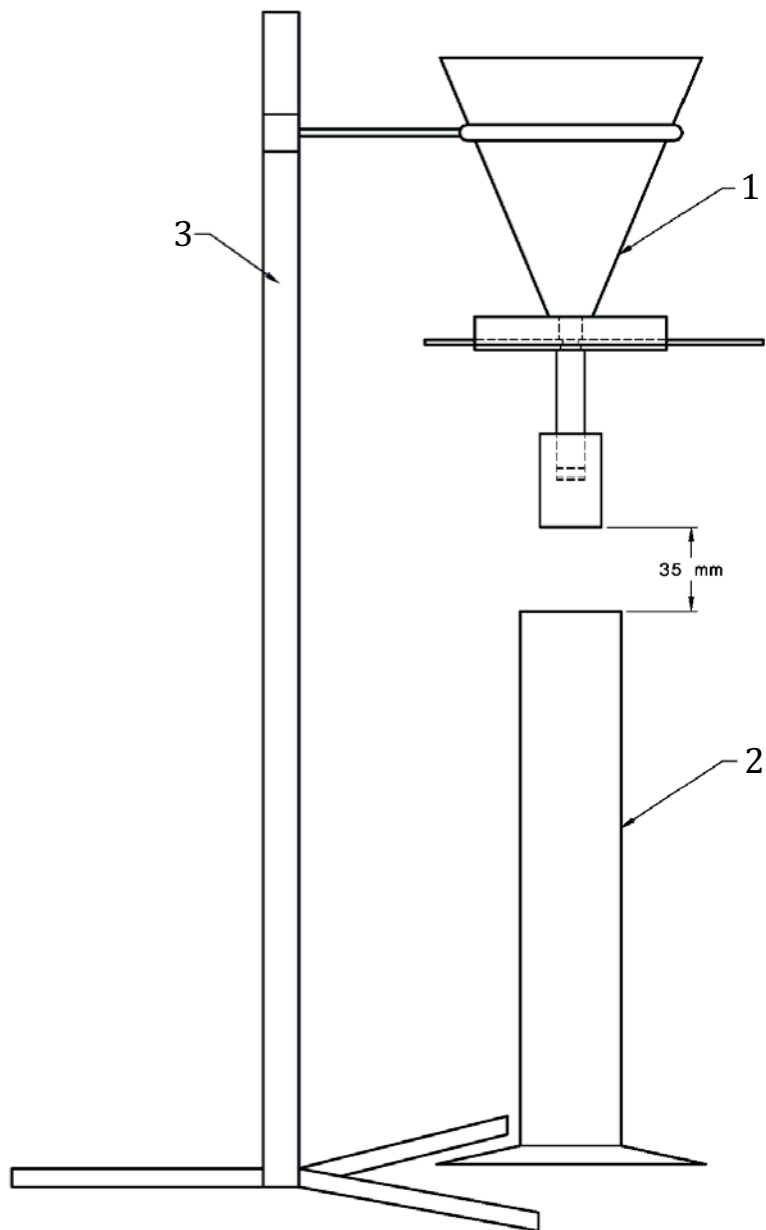


Key

- 1 delivery vessel
- 2 orifice slide plate
- 3 orifice (5,0 mm I.D.)
- 4 delivery tube
- 5 feed guide
- 6 impact plate

NOTE A = View from beneath, B = End detail, C = Side view.

Figure 1 — Sample delivery apparatus



Key

- 1 sample delivery apparatus
- 2 receiver
- 3 stand

Figure 2 — Assembly of bulk density apparatus

Bibliography

- [1] AS 2850, *Chemical analysis — Interlaboratory test programs — For determining precision of analytical method(s) — Guide to the planning and conduct*
- [2] AS 4538.1, *Guide to the sampling of alumina — Sampling procedures*

British Standards Institution (BSI)

BSI is the national body responsible for preparing British Standards and other standards-related publications, information and services.

BSI is incorporated by Royal Charter. British Standards and other standardization products are published by BSI Standards Limited.

About us

We bring together business, industry, government, consumers, innovators and others to shape their combined experience and expertise into standards-based solutions.

The knowledge embodied in our standards has been carefully assembled in a dependable format and refined through our open consultation process. Organizations of all sizes and across all sectors choose standards to help them achieve their goals.

Information on standards

We can provide you with the knowledge that your organization needs to succeed. Find out more about British Standards by visiting our website at bsigroup.com/standards or contacting our Customer Services team or Knowledge Centre.

Buying standards

You can buy and download PDF versions of BSI publications, including British and adopted European and international standards, through our website at bsigroup.com/shop, where hard copies can also be purchased.

If you need international and foreign standards from other Standards Development Organizations, hard copies can be ordered from our Customer Services team.

Subscriptions

Our range of subscription services are designed to make using standards easier for you. For further information on our subscription products go to bsigroup.com/subscriptions.

With **British Standards Online (BSOL)** you'll have instant access to over 55,000 British and adopted European and international standards from your desktop. It's available 24/7 and is refreshed daily so you'll always be up to date.

You can keep in touch with standards developments and receive substantial discounts on the purchase price of standards, both in single copy and subscription format, by becoming a **BSI Subscribing Member**.

PLUS is an updating service exclusive to BSI Subscribing Members. You will automatically receive the latest hard copy of your standards when they're revised or replaced.

To find out more about becoming a BSI Subscribing Member and the benefits of membership, please visit bsigroup.com/shop.

With a **Multi-User Network Licence (MUNL)** you are able to host standards publications on your intranet. Licences can cover as few or as many users as you wish. With updates supplied as soon as they're available, you can be sure your documentation is current. For further information, email bsmusales@bsigroup.com.

Revisions

Our British Standards and other publications are updated by amendment or revision.

We continually improve the quality of our products and services to benefit your business. If you find an inaccuracy or ambiguity within a British Standard or other BSI publication please inform the Knowledge Centre.

Copyright

All the data, software and documentation set out in all British Standards and other BSI publications are the property of and copyrighted by BSI, or some person or entity that owns copyright in the information used (such as the international standardization bodies) and has formally licensed such information to BSI for commercial publication and use. Except as permitted under the Copyright, Designs and Patents Act 1988 no extract may be reproduced, stored in a retrieval system or transmitted in any form or by any means – electronic, photocopying, recording or otherwise – without prior written permission from BSI. Details and advice can be obtained from the Copyright & Licensing Department.

Useful Contacts:

Customer Services

Tel: +44 845 086 9001

Email (orders): orders@bsigroup.com

Email (enquiries): cservices@bsigroup.com

Subscriptions

Tel: +44 845 086 9001

Email: subscriptions@bsigroup.com

Knowledge Centre

Tel: +44 20 8996 7004

Email: knowledgecentre@bsigroup.com

Copyright & Licensing

Tel: +44 20 8996 7070

Email: copyright@bsigroup.com

BSI Group Headquarters

389 Chiswick High Road London W4 4AL UK



...making excellence a habit.™