

BS ISO 18517:2015



BSI Standards Publication

Rubber, vulcanized or thermoplastic — Hardness testing — Introduction and guide

bsi.

...making excellence a habit.™

National foreword

This British Standard is the UK implementation of ISO 18517:2015. It supersedes BS ISO 18517:2005 which is withdrawn.

The UK participation in its preparation was entrusted to Technical Committee PRI/22, Physical testing of rubber.

A list of organizations represented on this committee can be obtained on request to its secretary.

This publication does not purport to include all the necessary provisions of a contract. Users are responsible for its correct application.

© The British Standards Institution 2015.
Published by BSI Standards Limited 2015

ISBN 978 0 580 85587 0
ICS 83.060

Compliance with a British Standard cannot confer immunity from legal obligations.

This British Standard was published under the authority of the Standards Policy and Strategy Committee on 30 April 2015.

Amendments/corrigenda issued since publication

Date	Text affected
------	---------------

INTERNATIONAL
STANDARD

BS ISO 18517:2015

ISO
18517

Second edition
2015-04-01

**Rubber, vulcanized or
thermoplastic — Hardness testing —
Introduction and guide**

*Caoutchouc vulcanisé ou thermoplastique — Essai de dureté —
Introduction et guide*



Reference number
ISO 18517:2015(E)

© ISO 2015



COPYRIGHT PROTECTED DOCUMENT

© ISO 2015

All rights reserved. Unless otherwise specified, no part of this publication may be reproduced or utilized otherwise in any form or by any means, electronic or mechanical, including photocopying, or posting on the internet or an intranet, without prior written permission. Permission can be requested from either ISO at the address below or ISO's member body in the country of the requester.

ISO copyright office
Case postale 56 • CH-1211 Geneva 20
Tel. + 41 22 749 01 11
Fax + 41 22 749 09 47
E-mail copyright@iso.org
Web www.iso.org

Published in Switzerland

Contents

	Page
Foreword	iv
1 Scope	1
2 Normative references	1
3 Terms and definitions	1
4 Indentation hardness	2
5 Types of hardness test	2
6 Significance	3
7 Uses of hardness tests	3
8 Choice of methods	3
9 Test piece	4
10 Standard hardness blocks	4
11 Comparison of hardness scales	4
Bibliography	5

Foreword

ISO (the International Organization for Standardization) is a worldwide federation of national standards bodies (ISO member bodies). The work of preparing International Standards is normally carried out through ISO technical committees. Each member body interested in a subject for which a technical committee has been established has the right to be represented on that committee. International organizations, governmental and non-governmental, in liaison with ISO, also take part in the work. ISO collaborates closely with the International Electrotechnical Commission (IEC) on all matters of electrotechnical standardization.

The procedures used to develop this document and those intended for its further maintenance are described in the ISO/IEC Directives, Part 1. In particular the different approval criteria needed for the different types of ISO documents should be noted. This document was drafted in accordance with the editorial rules of the ISO/IEC Directives, Part 2 (see www.iso.org/directives).

Attention is drawn to the possibility that some of the elements of this document may be the subject of patent rights. ISO shall not be held responsible for identifying any or all such patent rights. Details of any patent rights identified during the development of the document will be in the Introduction and/or on the ISO list of patent declarations received (see www.iso.org/patents).

Any trade name used in this document is information given for the convenience of users and does not constitute an endorsement.

For an explanation on the meaning of ISO specific terms and expressions related to conformity assessment, as well as information about ISO's adherence to the WTO principles in the Technical Barriers to Trade (TBT), see the following URL: [Foreword — Supplementary information](#).

The committee responsible for this document is ISO/TC 45, *Rubber and rubber products*, Subcommittee SC 2, *Testing and analysis*.

This second edition cancels and replaces the first edition (ISO 18517:2005), which has been technically revised.

Rubber, vulcanized or thermoplastic — Hardness testing — Introduction and guide

1 Scope

This International Standard provides guidance on the determination of the hardness of vulcanized and thermoplastic rubbers.

It is intended to provide an understanding of the significance of hardness as a material property and to assist in the selection of an appropriate test method.

2 Normative references

The following documents, in whole or in part, are normatively referenced in this document and are indispensable for its application. For dated references, only the edition cited applies. For undated references, the latest edition of the referenced document (including any amendments) applies.

ISO 48, *Rubber, vulcanized or thermoplastic — Determination of hardness (hardness between 10 IRHD and 100 IRHD)*

ISO 7267-1, *Rubber-covered rollers — Determination of apparent hardness — Part 1: IRHD method*

ISO 7267-2, *Rubber-covered rollers — Determination of apparent hardness — Part 2: Shore-type durometer method*

ISO 7267-3, *Rubber-covered rollers — Determination of apparent hardness — Part 3: Pusey and Jones method*

ISO 7619-1, *Rubber, vulcanized or thermoplastic — Determination of indentation hardness — Part 1: Durometer method (Shore hardness)*

ISO 7619-2, *Rubber, vulcanized or thermoplastic — Determination of indentation hardness — Part 2: IRHD pocket meter method*

ISO 18898, *Rubber — Calibration and verification of hardness testers*

ISO 27588, *Rubber, vulcanized or thermoplastic — Determination of dead-load hardness using the very low rubber hardness (VLRH) scale*

3 Terms and definitions

For the purposes of this document, the following terms and definitions apply.

3.1

international rubber hardness degrees

IRHD

hardness scale chosen so that “0” represents the hardness of material having a Young’s modulus of zero and “100” represents the hardness of a material of infinite Young’s modulus

Note 1 to entry: The following conditions are fulfilled over most of the normal range of hardness:

- a) one international rubber hardness degree always represents approximately the same proportionate difference in the Young’s modulus;
- b) for highly elastic rubbers, the IRHD and Shore A durometer scales are comparable.

3.2 standard hardness

S
hardness, in international rubber hardness degrees, obtained using the procedures described in ISO 48 on test pieces of the standard thickness and not less than the minimum lateral dimensions specified

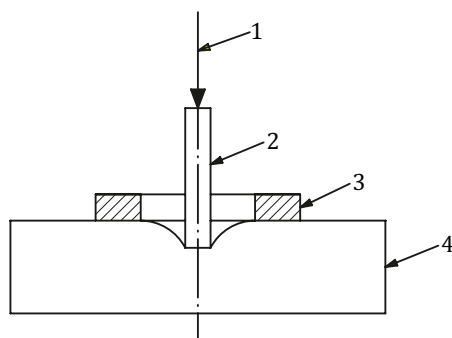
3.3 apparent hardness

hardness, in international rubber hardness degrees, obtained using the procedures described in ISO 48 on test pieces of non-standard dimensions

4 Indentation hardness

The term hardness when applied to rubbers refers to a measure of stiffness obtained from an indentation test. An indenter is pressed into the rubber under a given force and the resulting indentation measured as illustrated in [Figure 1](#). In contrast to some methods for other materials, the indentation is measured with the load applied.

In most tests, the indenter is surrounded by a foot which rests on the test piece under a given force. In dead-load tests (see [Clause 5](#)), the measured indentation is the difference between the indentation caused by a small initial force and that caused by a larger final force.



Key

- 1 weight or spring to apply force
- 2 indenter
- 3 pressure foot
- 4 test piece

Figure 1 — Principle of hardness test

5 Types of hardness test

Distinction is made between dead-load tests, where the indenting force is produced by a weight, and so-called durometers or pocket hardness meters, where the indenting force is applied by a spring.

Dead-load methods using a ball indenter with hardness expressed in international rubber hardness degrees (IRHD) are specified in ISO 48. This hardness scale is based on the relationship defined in [3.1](#) and a probit curve relating $\log_{10}(\text{modulus})$ to the hardness in IRHD. This results in a scale from 0 to 100 for infinitely soft to infinitely rigid materials. The definition of IRHD was chosen to give reasonable agreement with the Shore A scale described below.

The “normal” dead-load method is intended for use with rubbers in the range 35 IRHD to 85 IRHD and there are modifications for low-hardness and high-hardness rubbers. Method L covers the hardness range from 10 IRHD to 35 IRHD and method H covers the range from 85 IRHD to 100 IRHD. The micro

dead-load method is for use on thin test pieces and uses an indenter with diameter one-sixth of that for the “normal” method.

ISO 48 also specifies modified procedures for use on curved test pieces, with the result being expressed as apparent hardness.

A dead-load method for very soft materials using the very low rubber hardness scale (VLRH) is specified in ISO 27588. This covers a range from about 30 IRHD to below 10 IRHD and the relation between VLRH and depth of indentation is linear.

For rubber rollers, the Pusey and Jones dead-load instrument is specified in ISO 7267-3 in addition to the ISO 48 and durometer methods in ISO 7267-1 and ISO 7267-2, respectively.

Durometers were originally intended to be hand-held but are now often mounted on a stand with a weight to apply the correct foot pressure. The best known are the Shore gauges, of which there are several different types to cover a range of materials, and which have been produced by a number of manufacturers. Shore A scale durometers for rubbers in the normal hardness range and D scale durometers for hard materials are standardized in ISO 7619-1 together with a micro instrument designated AM and an instrument for soft materials designated AO. The type A uses a truncated cone indenter, types D and AM use a radiused cone, while type AO uses a ball indenter. ISO 7619-2 specifies a pocket meter with a ball indenter designed to read in the IRHD scale.

6 Significance

In principle, hardness can be related to the modulus of the rubber and empirical formulae can be found in textbooks. A relationship for ball indentation is given in ISO 48 together with graphs of hardness against $\log(\text{modulus})$. The relationship is only valid for a perfectly elastic rubber, and in practice, can only be considered as approximate.

Because of the tenuous relation with Young's or shear modulus, hardness cannot be considered as a fundamental material property. However, because of the simplicity and cheapness of hardness testing together with its essentially non-destructive nature, hardness is universally used as a convenient measure of stiffness.

A limitation which is not always appreciated is the discrimination and precision obtainable. Generally, the best that can be achieved is ± 1 IRHD which translates to the order of ± 4 % modulus in the middle of the scale and ± 16 % at very low and high hardnesses.

7 Uses of hardness tests

Hardness is a measure of stiffness or modulus which is an important property of rubbers in almost all applications. Its enormous popularity is due to its practical simplicity, versatility in terms of the test piece required, cheapness, and non-destructive nature. Because of this, it is universally used as a quality control test for trouble shooting, as a classification parameter for both compounds and products and as a requirement in material and product specifications. Hardness is widely used as a convenient, non-destructive measure of the state and uniformity of cure of a range of vulcanized products. It can also be used to track ageing, contamination and porosity, and so is suitable for diagnostic purposes.

8 Choice of methods

When a portable, hand-held instrument is needed, for example for testing products, then a spring-loaded durometer or pocket hardness meter is used. The type A durometer is by far the most popular, but the type AO and the IRHD pocket meter have the advantage of a ball indenter which is less prone to damage than a truncated cone. The IRHD pocket hardness meter also has a very low variation in spring force over the hardness range and the results correspond directly to those obtained with dead-load instruments. For very hard rubbers and thin test pieces, types D and AM, respectively, are appropriate. The Shore D scale is usually associated with plastics materials, but is in common use for

harder thermoplastic elastomers and ebonite and is sometimes preferred over Shore A and IRHD scales for rubbers over 90 IRHD.

NOTE Durometers have been produced with a built-in device that guarantees the application of the correct foot pressure regardless of the force applied by the operator.

The dead-load methods are intended to be the preferred approach for standard test pieces in the laboratory, the micro dead-load method being used where only thin pieces of material are available. The high and low hardness scales are intended to improve the discrimination at the extremes of the scale, but it has been shown that, for the high scale at least, there is no advantage (for further details, see Reference [1]). The VLRH method is preferred for very soft materials.

The rationale for using the dead-load instruments is that, a weight gives a constant force and is more stable than a spring. A systematic evaluation of the parameters affecting precision has shown that the dead-load methods are superior in this respect (for further details, see Reference [2]). However, many workers prefer to use the Shore-type durometers on a stand (so they are no longer portable).

9 Test piece

In practice, hardness measurements are made on test pieces and products of various shapes and sizes, particularly when using hand-held durometers. The results obtained are very dependent on test piece dimensions, particularly thickness, and hence it is essential that only the standard test pieces are used to obtain comparative results. Results on non-standard test pieces are termed apparent hardness in ISO 48.

The main limitation of apparent hardness measurements is that the results are likely to differ from those made on standard test pieces and are only comparable with tests made in the same way using the same geometry. When no micro instrument is available for testing thin material, several plies can be used to obtain a satisfactory test piece thickness, but again, results might vary from those obtained with standard test pieces.

10 Standard hardness blocks

Hardness testers should be calibrated in accordance with ISO 18898, but sets of standard reference blocks are available which are very useful for checking between calibrations, particularly for hand-held durometers and pocket hardness meters.

11 Comparison of hardness scales

For perfectly elastic rubbers, the IRHD and Shore A scales are virtually identical except at the low and high ends of the scale. For practical materials, the correlation will be less good and material-dependent. Empirical relations between the A and D scales have been published (for further details, see Reference [3]), but they have to be considered as a first approximation. One factor which might be significant is the effect of differences in the time of application of the load, particularly with thermoplastic elastomers and vulcanized rubbers exhibiting high hysteresis.

In theory, the normal and micro dead-load instruments should give equivalent results but because of thickness and surface layer effects (the surface can be harder than the interior), this is not always the case and significant differences are possible.

Bibliography

- [1] KUCHERSKII A.M., & KAPOROVSKII B.M. Problems in determining hardness of Rigid Rubbers. Polym. Test. 1995, **14**, 3, pp. 253
- [2] BROWN R.P., & SOEKARNEIN A. An investigation of the reproducibility of rubber hardness tests. Polym. Test. 1991, **10**, 2, pp. 117
- [3] BROWN R.P. Physical Testing of Rubber. Springer, New York, 2006

British Standards Institution (BSI)

BSI is the national body responsible for preparing British Standards and other standards-related publications, information and services.

BSI is incorporated by Royal Charter. British Standards and other standardization products are published by BSI Standards Limited.

About us

We bring together business, industry, government, consumers, innovators and others to shape their combined experience and expertise into standards-based solutions.

The knowledge embodied in our standards has been carefully assembled in a dependable format and refined through our open consultation process. Organizations of all sizes and across all sectors choose standards to help them achieve their goals.

Information on standards

We can provide you with the knowledge that your organization needs to succeed. Find out more about British Standards by visiting our website at bsigroup.com/standards or contacting our Customer Services team or Knowledge Centre.

Buying standards

You can buy and download PDF versions of BSI publications, including British and adopted European and international standards, through our website at bsigroup.com/shop, where hard copies can also be purchased.

If you need international and foreign standards from other Standards Development Organizations, hard copies can be ordered from our Customer Services team.

Subscriptions

Our range of subscription services are designed to make using standards easier for you. For further information on our subscription products go to bsigroup.com/subscriptions.

With **British Standards Online (BSOL)** you'll have instant access to over 55,000 British and adopted European and international standards from your desktop. It's available 24/7 and is refreshed daily so you'll always be up to date.

You can keep in touch with standards developments and receive substantial discounts on the purchase price of standards, both in single copy and subscription format, by becoming a **BSI Subscribing Member**.

PLUS is an updating service exclusive to BSI Subscribing Members. You will automatically receive the latest hard copy of your standards when they're revised or replaced.

To find out more about becoming a BSI Subscribing Member and the benefits of membership, please visit bsigroup.com/shop.

With a **Multi-User Network Licence (MUNL)** you are able to host standards publications on your intranet. Licences can cover as few or as many users as you wish. With updates supplied as soon as they're available, you can be sure your documentation is current. For further information, email bsmusales@bsigroup.com.

BSI Group Headquarters

389 Chiswick High Road London W4 4AL UK

Revisions

Our British Standards and other publications are updated by amendment or revision.

We continually improve the quality of our products and services to benefit your business. If you find an inaccuracy or ambiguity within a British Standard or other BSI publication please inform the Knowledge Centre.

Copyright

All the data, software and documentation set out in all British Standards and other BSI publications are the property of and copyrighted by BSI, or some person or entity that owns copyright in the information used (such as the international standardization bodies) and has formally licensed such information to BSI for commercial publication and use. Except as permitted under the Copyright, Designs and Patents Act 1988 no extract may be reproduced, stored in a retrieval system or transmitted in any form or by any means – electronic, photocopying, recording or otherwise – without prior written permission from BSI. Details and advice can be obtained from the Copyright & Licensing Department.

Useful Contacts:

Customer Services

Tel: +44 845 086 9001

Email (orders): orders@bsigroup.com

Email (enquiries): cservices@bsigroup.com

Subscriptions

Tel: +44 845 086 9001

Email: subscriptions@bsigroup.com

Knowledge Centre

Tel: +44 20 8996 7004

Email: knowledgecentre@bsigroup.com

Copyright & Licensing

Tel: +44 20 8996 7070

Email: copyright@bsigroup.com



...making excellence a habit.™