

BS ISO 18099:2013



BSI Standards Publication

Thermal insulating products for building equipment and industrial installations — Determination of the coefficient of thermal expansion

bsi.

...making excellence a habit.™

National foreword

This British Standard is the UK implementation of ISO 18099:2013.

The UK participation in its preparation was entrusted to Technical Committee B/540/8, Mirror committee for ISO/TC 163 - Thermal Performance and Energy use in the built Environment.

A list of organizations represented on this committee can be obtained on request to its secretary.

This publication does not purport to include all the necessary provisions of a contract. Users are responsible for its correct application.

© The British Standards Institution 2013. Published by BSI Standards Limited 2013

ISBN 978 0 580 79588 6

ICS 91.100.60

Compliance with a British Standard cannot confer immunity from legal obligations.

This British Standard was published under the authority of the Standards Policy and Strategy Committee on 30 April 2013.

Amendments issued since publication

Date	Text affected
------	---------------

**Thermal insulating products for
building equipment and industrial
installations — Determination of the
coefficient of thermal expansion**

*Produits isolants thermiques pour l'équipement du bâtiment et
les installations industrielles — Détermination du coefficient de
dilatation thermique*





COPYRIGHT PROTECTED DOCUMENT

© ISO 2013

All rights reserved. Unless otherwise specified, no part of this publication may be reproduced or utilized otherwise in any form or by any means, electronic or mechanical, including photocopying, or posting on the internet or an intranet, without prior written permission. Permission can be requested from either ISO at the address below or ISO's member body in the country of the requester.

ISO copyright office
Case postale 56 • CH-1211 Geneva 20
Tel. + 41 22 749 01 11
Fax + 41 22 749 09 47
E-mail copyright@iso.org
Web www.iso.org

Published in Switzerland

Contents

Page

Foreword	iv
Introduction	v
1 Scope	1
2 Terms and definitions	1
3 Principle	2
4 Apparatus	2
5 Test specimens	4
5.1 Dimensions of test specimens	4
5.2 Preparation of test specimens	4
5.3 Number of test specimens.....	5
5.4 Conditioning of test specimens.....	5
6 Procedure	5
6.1 Test conditions	5
6.2 Test procedure.....	5
7 Calculation and expression of results	6
8 Accuracy of measurement	6
9 Test report	6

Foreword

ISO (the International Organization for Standardization) is a worldwide federation of national standards bodies (ISO member bodies). The work of preparing International Standards is normally carried out through ISO technical committees. Each member body interested in a subject for which a technical committee has been established has the right to be represented on that committee. International organizations, governmental and non-governmental, in liaison with ISO, also take part in the work. ISO collaborates closely with the International Electrotechnical Commission (IEC) on all matters of electrotechnical standardization.

International Standards are drafted in accordance with the rules given in the ISO/IEC Directives, Part 2.

The main task of technical committees is to prepare International Standards. Draft International Standards adopted by the technical committees are circulated to the member bodies for voting. Publication as an International Standard requires approval by at least 75 % of the member bodies casting a vote.

Attention is drawn to the possibility that some of the elements of this document may be the subject of patent rights. ISO shall not be held responsible for identifying any or all such patent rights.

ISO 18099 was prepared by Technical Committee ISO/TC 163, *Thermal performance and energy use in the built environment*, Subcommittee SC 1, *Test and measurement methods*.

ISO 18099 includes the original EN 13471 prepared by Technical Committee CEN/TC 88, *Thermal insulating materials and products*.

However, modifications were made to the following to reflect conditions for tropical countries:

- [5.4](#) “Conditioning of test specimens”;
- [6.1](#) “Test conditions”; and
- [Clause 9](#) “Test report”.

Introduction

This International Standard is one of a series of existing European Standards on test methods for products used to insulate building equipment and industrial installations which comprises the following group of International Standards:

ISO standard	Title	Respective EN standard
ISO 12623	<i>Thermal insulating products for building equipment and industrial installations — Determination of short-term water absorption by partial immersion of preformed pipe insulation</i>	EN 13472
ISO 12624	<i>Thermal insulation products — Determination of trace quantities of water soluble chloride, fluoride, silicate, sodium ions and pH</i>	EN 13468
ISO 12628	<i>Thermal insulating products for building equipment and industrial installations — Determination of dimensions, squareness and linearity of preformed pipe insulation</i>	EN 13467
ISO 12629	<i>Thermal insulating products for building equipment and industrial installations — Determination of water vapour transmission properties of preformed pipe insulation</i>	EN 13469
ISO 18096	<i>Thermal insulating products for building equipment and industrial installations — Determination of maximum service temperature for preformed pipe insulation</i>	EN 14707
ISO 18097	<i>Thermal insulating products for building equipment and industrial installations — Determination of maximum service temperature</i>	EN 14706
ISO 18098	<i>Thermal insulating products for building equipment and industrial installations — Determination of the apparent density of preformed pipe insulation</i>	EN 13470
ISO 18099	<i>Thermal insulating products for building equipment and industrial installations — Determination of the coefficient of thermal expansion</i>	EN 13471

A further series of existing European Standards on test methods was adopted by ISO. This “package” of standards comprises the following group of interrelated standards:

ISO standard	Title	Respective EN standard
ISO 12344	<i>Thermal insulating products for building applications — Determination of bending behaviour</i>	EN 12089
ISO 12968	<i>Thermal insulation products for building applications — Determination of the pull-off resistance of external thermal insulation composite systems (ETICS) (foam block test)</i>	EN 13495
ISO 29465	<i>Thermal insulating products for building applications — Determination of length and width</i>	EN 822
ISO 29466	<i>Thermal insulating products for building applications — Determination of thickness</i>	EN 823
ISO 29467	<i>Thermal insulating products for building applications — Determination of squareness</i>	EN 824
ISO 29468	<i>Thermal insulating products for building applications — Determination of flatness</i>	EN 825
ISO 29469	<i>Thermal insulating products for building applications — Determination of compression behaviour</i>	EN 826
ISO 29470	<i>Thermal insulating products for building applications — Determination of the apparent density</i>	EN 1602
ISO 29471	<i>Thermal insulating products for building applications — Determination of dimensional stability under constant normal laboratory conditions (23 degrees C/50 % relative humidity)</i>	EN 1603
ISO 29472	<i>Thermal insulating products for building applications — Determination of dimensional stability under specified temperature and humidity conditions</i>	EN 1604
ISO 29764	<i>Thermal insulating products for building applications — Determination of deformation under specified compressive load and temperature conditions</i>	EN 1605
ISO 29765	<i>Thermal insulating products for building applications — Determination of tensile strength perpendicular to faces</i>	EN 1607
ISO 29766	<i>Thermal insulating products for building applications — Determination of tensile strength parallel to faces</i>	EN 1608
ISO 29767	<i>Thermal insulating products for building applications — Determination of short-term water absorption by partial immersion</i>	EN 1609
ISO 29768	<i>Thermal insulating products for building applications — Determination of linear dimensions of test specimens</i>	EN 12085
ISO 29769	<i>Thermal insulating products for building applications — Determination of behaviour under point load</i>	EN 12430
ISO 29770	<i>Thermal insulating products for building applications — Determination of thickness for floating-floor insulating products</i>	EN 12431
ISO 29771	<i>Thermal insulating materials for building applications — Determination of organic content</i>	EN 13820
ISO 29803	<i>Thermal insulation products for building applications — Determination of the resistance to impact of external thermal insulation composite systems (ETICS)</i>	EN 13497

The Application of Agreement on technical cooperation between ISO and CEN (Vienna Agreement), Modes 1, 2, 4, and 5, was not approved by CEN/TC 88 and the necessity not seen by its stakeholders.

This International Standard is one of a series of standards which specify test methods for determining dimensions and properties of thermal insulating materials and products. The original EN 13471 supports a series of product standards for thermal insulating materials and products which derive from the Council Directive of 21 December 1988 on the approximation of laws, regulations, and administrative provisions of the Member States relating to construction products (Directive 89/106/EEC) through the consideration of the essential requirements.

This International Standard has been prepared for products used to insulate building equipment and industrial installations, but it may also be applied to products used in other areas.

Thermal insulating products for building equipment and industrial installations — Determination of the coefficient of thermal expansion

1 Scope

This International Standard specifies the equipment and procedures for determining the coefficient of linear thermal expansion. It is applicable to thermal insulating products within the temperature range 196 °C to 850 °C, subject to the possible temperature limitation of the test specimens. It is not applicable to products which experience dimensional changes during the test due to the loss of hydration water or which undergo other phase changes.

2 Terms and definitions

For the purposes of this document, the following terms and definitions apply.

2.1

linear thermal expansion

reversible changes in the length of a product resulting from a change in temperature

2.2

mean coefficient of linear thermal expansion α_m between different temperatures

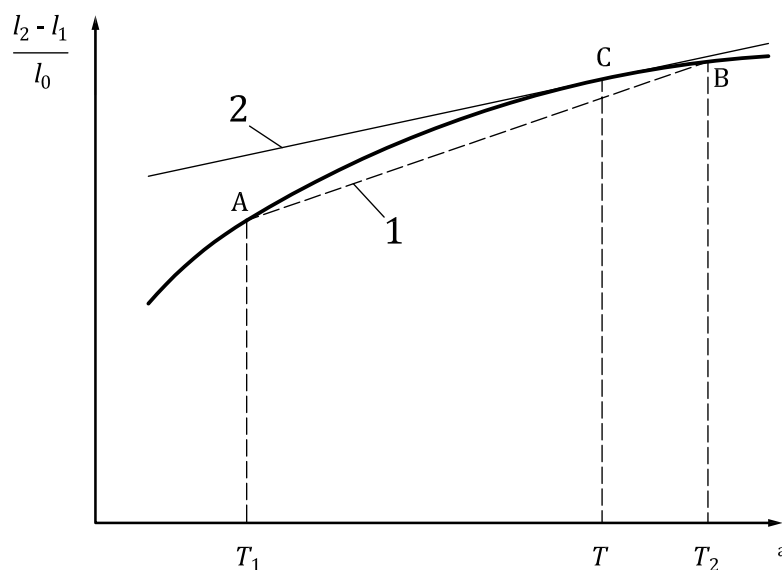
reversible change in length divided by the length at the reference temperature and the temperature difference between the test temperatures

2.3

coefficient of thermal expansion α_t at the temperature T

limit value of α_m as the higher temperature approaches the lower temperature (see [Figure 1](#))

Note 1 to entry: The definition of α_m and α_t assumes that the function giving the length variation in relation to the temperature variation is continuous. This excludes the use of the mean coefficient of linear thermal expansion, α_m , when the test specimen experiences physical change due to change of phase, e.g. recrystallisation or loss of water of hydration. The curve giving the length variation as a function of the temperature variation can be reported but the mean coefficient of thermal expansion should not be calculated for parts of the curve which are not continuous.



Key

- a temperature
- 1 The mean coefficient of thermal expansion between T_1 and T_2 is illustrated by the gradient of the dotted line between the points A and B.
- 2 The coefficient of thermal expansion at T is illustrated by the gradient of the tangent at point C.

Figure 1 — The relative length variation as a function of temperature

3 Principle

The changes in a product’s linear dimensions, as its temperature is changed, are measured and characterised. It shall be done in a continuous way when the full curve over a temperature range is needed or only at two specified temperatures if only a mean coefficient of linear thermal expansion between these temperatures is needed.

4 Apparatus

4.1 Dilatometer, with appropriate dimensions and suitable for the temperature range (see [Figure 2](#)).

NOTE The usual dilatometers are of the tube or rod type, fabricated of high-purity vitreous silica. Modern dilatometers incorporate the essential features described below.

4.2 Micrometer calliper, a calliper with micrometer indication permitting direct reading of the test specimen lengths at different temperatures. The accuracy of these measurements shall be such that consecutive measurements at the same temperature are determined to $2 \times 10^{-4} \times l_0$ for the length and to $2 \times 10^{-5} \times l_0$ for the length variations.

4.3 Electrical furnace, for high temperatures, an electrical furnace, capable of maintaining the mean temperature of the test specimen to within ± 2 K of the desired test temperature and the maximum and minimum temperature of the test specimen to within ± 2 K.

The electrical furnace shall be capable of limiting the rate of temperature change to 1 °C/min during the change from one test temperature to another.

4.4 Test chamber, for low and cryogenic temperatures, a test chamber, capable of maintaining the mean temperature of the test specimen to within ± 1 K of the desired test temperature and the maximum and minimum temperature of the test specimen to within ± 1 K.

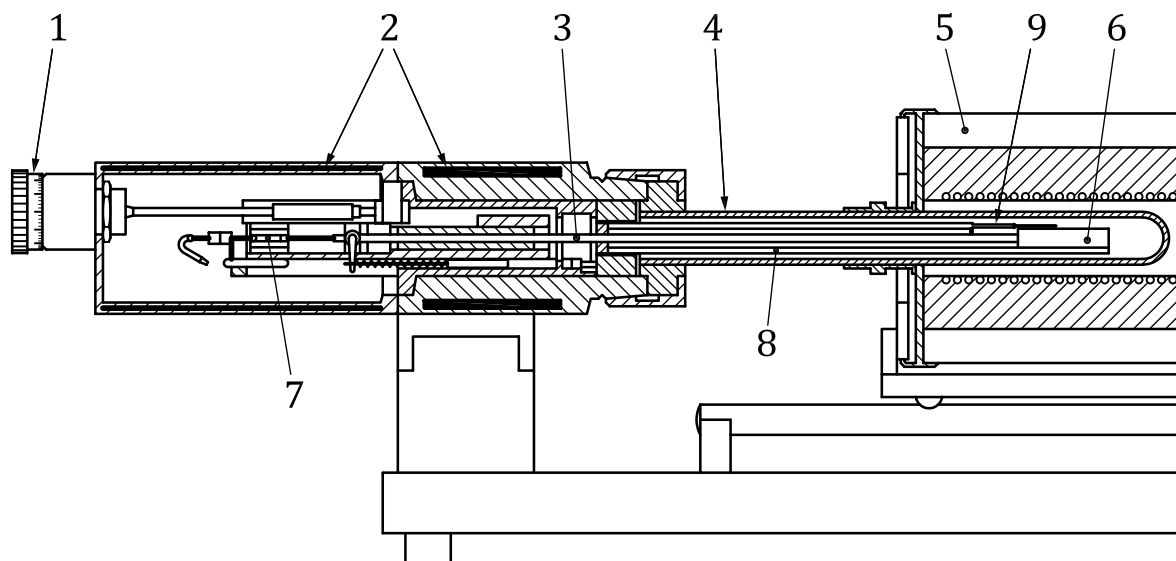
The test chamber shall be capable of limiting the rate of temperature change to 1 °C/min during the change from one test temperature to another.

4.5 Temperature-measuring instruments, calibrated thermocouples suitable for the temperature needed for the test with an accuracy of $\pm 0,5$ K from 196 °C to 200 °C, ± 1 K from 200 °C to 500 °C, and ± 2 K from 500 °C to 850 °C.

The thermocouples are connected to a continuous recording device. If only the mean coefficient of linear thermal expansion, α_m , between two temperatures is needed, the measurements shall only be carried out at these temperatures.

NOTE Devices which are normally used for the simultaneous recording of the length variation and the temperature provide a curve of $\frac{\Delta l}{l_0}$ as a function of $T_2 - T_1$.

4.6 Equipment to prepare the test specimen, suitable saw or thin-walled steel tube to prepare the test specimen.



Key

- 1 micrometer screw
- 2 thermostat
- 3 push-rod
- 4 protective tube
- 5 furnace
- 6 test specimen
- 7 linear variable differential transducer
- 8 test specimen carrier
- 9 thermocouple

Figure 2 — Typical example of a dilatometer

5 Test specimens

5.1 Dimensions of test specimens

Because of its small dimensions, the test specimen should be carefully selected to be representative of the product being tested.

The dimensions shall be appropriate for the dimensions of the dilatometer and suitable for the test material.

Dimensions of the test specimens shall be as specified in the relevant product standard.

NOTE 1 In the absence of a product standard, the dimensions of test specimens may be agreed between parties.

NOTE 2 Typical test specimens have a length of (50 ± 1) mm with square cross section of (10 ± 1) mm or a diameter of (10 ± 1) mm. Smaller or larger dimensions are acceptable, but the user of this International Standard should be aware that too-short test specimens give a loss of sensitivity, while too-long test specimens may be subjected to axial temperature differences or physical deformation such as creep or elastic strain rates.

The tolerance on parallelism and flatness between the two faces of the test specimen used for the length determination shall not be more than 1 % of their linear dimension.

5.2 Preparation of test specimens

Any skins, facings, and/or coatings shall be removed.

Test specimens shall be sawn or cut with a thin-walled steel tube from the product in the direction in which the measurement of the coefficient of linear thermal expansion shall be made and in which the linear dimensions are to be recorded.

Special requirements for preparation such as annealing or drying under specified conditions shall be indicated where relevant in the product standard.

For anisotropic products, the measurements shall be carried out both in the direction of the length and of the width.

5.3 Number of test specimens

The number of test specimens shall be as specified in the relevant product standard. If the number is not specified, then at least two test specimens shall be used.

NOTE In the absence of a product standard or any other international technical specification, the number of test specimens may be agreed between parties.

5.4 Conditioning of test specimens

The test specimens shall be stored for at least 6 h at (23 ± 5) °C. In case of dispute, they shall be stored at (23 ± 2) °C and (50 ± 5) % relative humidity (RH) for the time specified in the relevant product standard.

In tropical countries, different conditioning and testing conditions can be relevant. In this case, the conditions shall be (27 ± 5) °C and (65 ± 5) % RH.

6 Procedure

6.1 Test conditions

The test shall be started at (23 ± 2) °C, due to the importance of accurate temperatures for this test method.

In tropical countries, different conditioning and testing conditions can be relevant. In this case, the conditions shall be (27 ± 5) °C and (65 ± 5) % RH.

6.2 Test procedure

Clean the test specimen and install it in the dilatometer, making sure that the end surfaces as well as the contact surfaces of the dilatometer are free of foreign particles.

Measure its length at (23 ± 2) °C which shall be considered as the reference temperature.

Place the thermocouples in representative manner, ensuring good contact with the test specimen.

Insert the dilatometer assembly in the furnace or in the test chamber.

Heat or cool the system, making sure that the temperature gradient given in the relevant product standard is respected. If no information is available, do not exceed 3 K/min and 1 K/min for the last 50 °C interval.

Stabilize the temperature at temperature intervals not greater than 50 °C over a time sufficient to obtain homogeneous temperature within the test specimen. Usually, 30 min is sufficient.

Measure the temperature and the test specimen length when constant temperature is recorded (± 2 K for high temperature and ± 1 K for low temperature). Record the length variation/temperature curves continuously, following the instructions specific to the instrument used.

Bring the temperature back to the reference value and remeasure the length. If irreversible changes have occurred, repeat the cycles until only reversible changes occur.

The result shall be calculated from the readings of the reversible changes.

7 Calculation and expression of results

Apply the corrections specific to the instrument used to the measured lengths, e.g. the correction for the expansion of the quartz support over the length of the test specimen.

Calculate the mean coefficient of linear thermal expansion, α_m , in °C⁻¹ between the temperatures T_1 and T_2 using the equation:

$$\alpha_m = \frac{1}{l_0} \times \frac{l_2 - l_1}{T_2 - T_1} \quad (1)$$

where

l_0 is the length of the test specimen, in millimetres, at the reference temperature T_0 , in degree Celcius;

l_1 is the length of the test specimen, in millimetres, at the temperature T_1 , in degree Celcius;

l_2 is the length of the test specimen, in millimetres, at the temperature T_2 , in degree Celcius.

If required, determine the coefficient of thermal expansion at the temperature T , α_t , as the tangent to the above curve.

8 Accuracy of measurement

NOTE It has not been possible to include a statement on the accuracy of the method in this edition of this International Standard, but it is intended to include such a statement when this International Standard is next revised.

9 Test report

The test report shall include the following information:

- a) a reference to this International Standard (i.e. ISO 18099:2013);
- b) product identification:
 - 1) product name, factory, manufacturer, or supplier;
 - 2) production code number;
 - 3) type of product;
 - 4) packaging;
 - 5) the form in which the product arrived at the laboratory;
 - 6) other information as appropriate, e.g. nominal dimensions;
- c) test procedure:
 - 1) pre-test history and sampling, e.g. who sampled and where;
 - 2) waiting time before conditioning;
 - 3) conditioning;
 - 4) conditioning and testing conditions in tropical countries, if applicable;
 - 5) annealing, drying conditions;

- 6) presence of facings, the mass of the facing, and the method of removal, if necessary;
- 7) presence of surface skins and the method of removal, if necessary;
- 8) if any deviation from [Clauses 5](#) and [6](#);
- 9) date of testing;
- 10) general information relating to the test;
- 11) events which may have affected the results;

Information about the apparatus and identity of the technician should be available in the laboratory but it need not be recorded in the report.

d) results:

- 1) all individual values of the coefficient of thermal expansion in each temperature interval or at each temperature, mean value in the same temperature intervals or at the same temperatures.

British Standards Institution (BSI)

BSI is the national body responsible for preparing British Standards and other standards-related publications, information and services.

BSI is incorporated by Royal Charter. British Standards and other standardization products are published by BSI Standards Limited.

About us

We bring together business, industry, government, consumers, innovators and others to shape their combined experience and expertise into standards-based solutions.

The knowledge embodied in our standards has been carefully assembled in a dependable format and refined through our open consultation process. Organizations of all sizes and across all sectors choose standards to help them achieve their goals.

Information on standards

We can provide you with the knowledge that your organization needs to succeed. Find out more about British Standards by visiting our website at bsigroup.com/standards or contacting our Customer Services team or Knowledge Centre.

Buying standards

You can buy and download PDF versions of BSI publications, including British and adopted European and international standards, through our website at bsigroup.com/shop, where hard copies can also be purchased.

If you need international and foreign standards from other Standards Development Organizations, hard copies can be ordered from our Customer Services team.

Subscriptions

Our range of subscription services are designed to make using standards easier for you. For further information on our subscription products go to bsigroup.com/subscriptions.

With **British Standards Online (BSOL)** you'll have instant access to over 55,000 British and adopted European and international standards from your desktop. It's available 24/7 and is refreshed daily so you'll always be up to date.

You can keep in touch with standards developments and receive substantial discounts on the purchase price of standards, both in single copy and subscription format, by becoming a **BSI Subscribing Member**.

PLUS is an updating service exclusive to BSI Subscribing Members. You will automatically receive the latest hard copy of your standards when they're revised or replaced.

To find out more about becoming a BSI Subscribing Member and the benefits of membership, please visit bsigroup.com/shop.

With a **Multi-User Network Licence (MUNL)** you are able to host standards publications on your intranet. Licences can cover as few or as many users as you wish. With updates supplied as soon as they're available, you can be sure your documentation is current. For further information, email bsmusales@bsigroup.com.

BSI Group Headquarters

389 Chiswick High Road London W4 4AL UK

Revisions

Our British Standards and other publications are updated by amendment or revision.

We continually improve the quality of our products and services to benefit your business. If you find an inaccuracy or ambiguity within a British Standard or other BSI publication please inform the Knowledge Centre.

Copyright

All the data, software and documentation set out in all British Standards and other BSI publications are the property of and copyrighted by BSI, or some person or entity that owns copyright in the information used (such as the international standardization bodies) and has formally licensed such information to BSI for commercial publication and use. Except as permitted under the Copyright, Designs and Patents Act 1988 no extract may be reproduced, stored in a retrieval system or transmitted in any form or by any means – electronic, photocopying, recording or otherwise – without prior written permission from BSI. Details and advice can be obtained from the Copyright & Licensing Department.

Useful Contacts:

Customer Services

Tel: +44 845 086 9001

Email (orders): orders@bsigroup.com

Email (enquiries): cservices@bsigroup.com

Subscriptions

Tel: +44 845 086 9001

Email: subscriptions@bsigroup.com

Knowledge Centre

Tel: +44 20 8996 7004

Email: knowledgecentre@bsigroup.com

Copyright & Licensing

Tel: +44 20 8996 7070

Email: copyright@bsigroup.com



...making excellence a habit.™