

BS ISO 18070:2015



BSI Standards Publication

# Corrosion of metals and alloys — Crevice corrosion formers with disc springs for flat specimens or tubes made from stainless steel

**bsi.**

...making excellence a habit.™

**National foreword**

This British Standard is the UK implementation of ISO 18070:2015.

The UK participation in its preparation was entrusted to Technical Committee ISE/NFE/8, Corrosion of metals and alloys.

A list of organizations represented on this committee can be obtained on request to its secretary.

This publication does not purport to include all the necessary provisions of a contract. Users are responsible for its correct application.

© The British Standards Institution 2015.  
Published by BSI Standards Limited 2015

ISBN 978 0 580 79069 0

ICS 77.060

**Compliance with a British Standard cannot confer immunity from legal obligations.**

This British Standard was published under the authority of the Standards Policy and Strategy Committee on 30 November 2015.

**Amendments/corrigenda issued since publication**

Date	Text affected
------	---------------

---

---

---

**Corrosion of metals and alloys —  
Crevice corrosion formers with disc  
springs for flat specimens or tubes  
made from stainless steel**

*Corrosion des métaux et alliages — Dispositif d'essai de corrosion par  
crevasse avec rondelles ressort pour échantillons plats ou tubulaires  
en acier inoxydable*





## **COPYRIGHT PROTECTED DOCUMENT**

© ISO 2015, Published in Switzerland

All rights reserved. Unless otherwise specified, no part of this publication may be reproduced or utilized otherwise in any form or by any means, electronic or mechanical, including photocopying, or posting on the internet or an intranet, without prior written permission. Permission can be requested from either ISO at the address below or ISO's member body in the country of the requester.

ISO copyright office  
Ch. de Blandonnet 8 • CP 401  
CH-1214 Vernier, Geneva, Switzerland  
Tel. +41 22 749 01 11  
Fax +41 22 749 09 47  
copyright@iso.org  
www.iso.org

# Contents

	Page
<b>Foreword</b> .....	<b>iv</b>
<b>Introduction</b> .....	<b>v</b>
<b>1 Scope</b> .....	<b>1</b>
<b>2 Normative references</b> .....	<b>1</b>
<b>3 Terms and definitions</b> .....	<b>1</b>
<b>4 Symbols</b> .....	<b>1</b>
<b>5 Test specimen</b> .....	<b>2</b>
5.1 Specimen specifications.....	2
5.1.1 Flat specimens.....	2
5.1.2 Tubes.....	2
5.2 Surface preparation of the specimens.....	2
<b>6 Crevice former and assembly</b> .....	<b>2</b>
6.1 General.....	2
6.2 Disc springs.....	2
6.3 Crevice former.....	3
6.4 Crevice formers for tubes.....	4
6.5 Preparation of the crevice formers surfaces.....	5
6.6 Crevice assembly.....	6
6.7 Ending test.....	7
6.8 Cleaning.....	7
<b>7 Documentation</b> .....	<b>7</b>
<b>Annex A (informative) Example of test report format of deflection measurements</b> .....	<b>8</b>
<b>Bibliography</b> .....	<b>9</b>

## Foreword

ISO (the International Organization for Standardization) is a worldwide federation of national standards bodies (ISO member bodies). The work of preparing International Standards is normally carried out through ISO technical committees. Each member body interested in a subject for which a technical committee has been established has the right to be represented on that committee. International organizations, governmental and non-governmental, in liaison with ISO, also take part in the work. ISO collaborates closely with the International Electrotechnical Commission (IEC) on all matters of electrotechnical standardization.

The procedures used to develop this document and those intended for its further maintenance are described in the ISO/IEC Directives, Part 1. In particular the different approval criteria needed for the different types of ISO documents should be noted. This document was drafted in accordance with the editorial rules of the ISO/IEC Directives, Part 2 (see [www.iso.org/directives](http://www.iso.org/directives)).

Attention is drawn to the possibility that some of the elements of this document may be the subject of patent rights. ISO shall not be held responsible for identifying any or all such patent rights. Details of any patent rights identified during the development of the document will be in the Introduction and/or on the ISO list of patent declarations received (see [www.iso.org/patents](http://www.iso.org/patents)).

Any trade name used in this document is information given for the convenience of users and does not constitute an endorsement.

For an explanation on the meaning of ISO specific terms and expressions related to conformity assessment, as well as information about ISO's adherence to the WTO principles in the Technical Barriers to Trade (TBT) see the following URL: [Foreword - Supplementary information](#).

The committee responsible for this document is ISO/TC 156, *Corrosion of metals and alloys*.

## Introduction

The working party on Marine Corrosion in the European Federation of Corrosion (EFC) has found that there is an industrial need for crevice corrosion testing for seawater applications that can estimate the maximum service temperature in natural seawater for stainless steels. Several aspects of crevice corrosion testing were elucidated by a research project.<sup>[1]</sup> It was found that an important factor is the crevice forming technique, and in order to have controlled crevices, the disc spring loaded crevice former was introduced. The general idea is that the disc springs shall keep the clamping force as constant as possible. In addition to the crevice forming technique for plate specimens, a technique for a crevice former for tubular specimens was developed, which has given reproducible results.

Round robin testing for the crevice forming technique was performed for both laboratory testing and in natural seawater and it showed improvement compared to traditional crevice formers. Good correlation was found between the laboratory testing and natural seawater.





# Corrosion of metals and alloys — Crevice corrosion formers with disc springs for flat specimens or tubes made from stainless steel

## 1 Scope

This International Standard specifies a crevice forming technique and crevice former which are intended to be used for crevice corrosion testing of flat specimens or tubes of stainless steels, in corrosive solutions. This International Standard specifies no information concerning how the crevice corrosion testing shall be performed and how the attack shall be evaluated. The crevice former specified in this International Standard can be used for electrochemical measurements, if the specimens are designed for electrical connections.

## 2 Normative references

The following documents, in whole or in part, are normatively referenced in this document and are indispensable for its application. For dated references, only the edition cited applies. For undated references, the latest edition of the referenced document (including any amendments) applies.

ISO 3696, *Water for analytical laboratory use — Specification and test methods*

ISO 8044, *Corrosion of metals and alloys — Basic terms and definitions*

ISO 6344-3, *Coated abrasives — Grain size analysis — Part 3: Determination of grain size distribution of microgrits P240 to P2500*

DIN 2093, *Disc springs — Quality specifications — Dimensions*

## 3 Terms and definitions

For the purposes of this document, the terms and definitions given in ISO 8044 apply.

## 4 Symbols

*LBL* Length Before Loading

*LAL*<sub>1</sub> Length After Loading

*LAL*<sub>2</sub> Length After Loading and exposure

$\Delta L$ <sub>1</sub> Deflection before exposure

$\Delta L$ <sub>2</sub> Deflection after exposure

## 5 Test specimen

### 5.1 Specimen specifications

Both flat specimens and tubes made from stainless steels can be used as specimens in the crevice corrosion formers specified in this International Standard. The specimen outer surface area shall be at least 100 cm<sup>2</sup>.

NOTE 1 A squared specimen with a centre hole is preferred since the distance between the anode and cathode area might be critical in solutions with low conductivity.

NOTE 2 If an electrode potential is applied, a smaller specimen can be used.

#### 5.1.1 Flat specimens

A hole, 7 mm in diameter, shall be drilled in the middle of each specimen.

NOTE To hang up of specimen and for electrical connection, a small hole can be drilled at one end of the specimen.

#### 5.1.2 Tubes

A hole, 7 mm in diameter, shall be drilled in the middle of the tubes in radial dimension. The hole shall be drilled at both sides of the tube allowing a bolt to be inserted in the hole without alignment. The length of the tubes shall be at least 30 mm.

NOTE To hang up of specimen and for electrical connection, a small hole can be drilled at one end of the specimen.

### 5.2 Surface preparation of the specimens

5.2.1 The surface finish shall be as reproducible as possible. Any test surface may be tested but it is recommended that all surfaces, including cut edges and drilled holes, shall be abraded down to at least P120 grit paper, according to ISO 6344-3. Care shall be taken to avoid overheating the surface.

NOTE Ultra sonic cleaning after abrading can be used.

5.2.2 After abrading and cleaning, the specimens shall be left in air at a temperature higher than the dew point temperature for at least 24 h before testing, to be able to form a stable oxide.

5.2.3 The specimens shall be cleaned immediately prior to immersion in the solution by degreasing, rinsing in high-purity water with a conductivity less than 1 µS/cm, (ISO 3696, grade 2) followed by ethanol or a similar solvent and air drying. After degreasing, care shall be taken not to contaminate the test surface of the specimens.

## 6 Crevice former and assembly

### 6.1 General

Both flat specimens and tubular stainless steels can be used as specimens in the crevice corrosion formers specified in this International Standard, see [Figure 1](#) and [Figure 2](#).

### 6.2 Disc springs

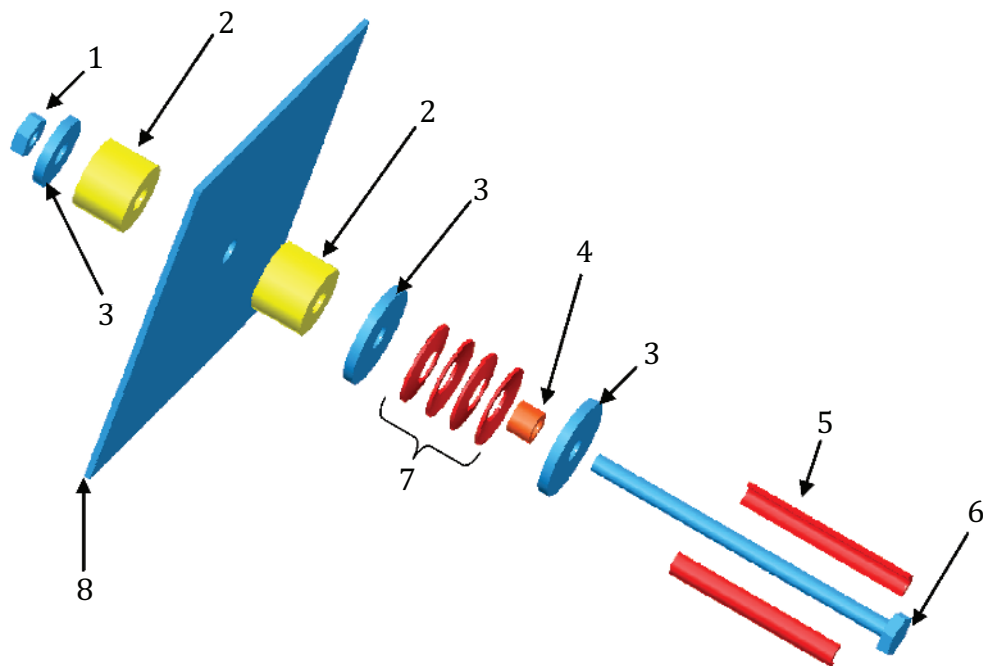
Disc springs with a linear force versus deflection relationship shall be used. The relation between the force and deflection of the setup of the disc springs shall be known. For disc springs according to

DIN 2093, the deflection that corresponds to 0,9 kN is 0,9 mm; for other disc springs, the deflection that corresponds to a force of 0,9 kN shall be measured with a tensile machine.

NOTE In the USA, disc springs are called Belleville washers.

### 6.3 Crevice former

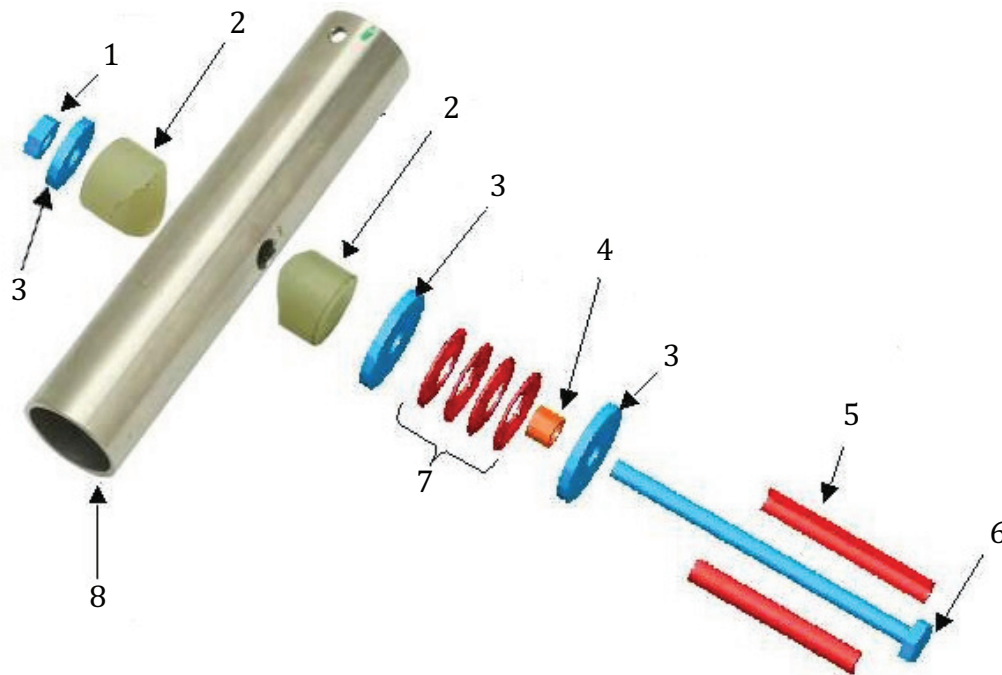
The crevice assembly is of the spring loaded type. Nut, bolt, and washers (rings) are made from titanium. The thickness of the washers is between 2 mm and 4 mm. Outer diameter of the washers shall be at least 20 mm and the inner diameter at least 5,2 mm. Bolt diameter shall be 5 mm (M5 threads) and the length is about 75 mm. A PVC (polyvinyl chloride) or PE (polyethylene) hose is mounted around the bolt, from the head of the bolt to the crevice former at the nut side, to prevent electrical contact between specimen and the assembly and to centre the rings, disc springs, and specimen. A schematic drawing of the assembly for flat specimens is shown in [Figure 1](#) and for tubes is shown in [Figure 2](#). A ring of inert polymeric material, like PTFE (polytetrafluoroethylene) is mounted to centre the disc springs, as shown in [Figure 1](#) and [Figure 2](#). The disc springs are made of titanium or nylon coated steel. The disc spring shall be according to DIN 2093 or with a calibrated deflection-force relationship. A set of four springs is used to obtain a load of ~0,9 kN (this corresponds approximately to a torque of 3 Nm, with the crevice assembly applied using DIN 2093 disc springs). The crevice formers are made of PVDF (polyvinylidene fluoride) and can be used up to 95 °C. The outside diameter is 20 mm and the inside diameter is 7 mm and height is 15 mm.



#### Key

- |                     |                                                    |
|---------------------|----------------------------------------------------|
| 1 nut               | 5 insulation hose (split only for imaging purpose) |
| 2 crevice former    | 6 bolt                                             |
| 3 washer            | 7 disc springs                                     |
| 4 centralizing ring | 8 test specimen                                    |

**Figure 1 — Sketch of spring loaded crevice former for flat specimens**



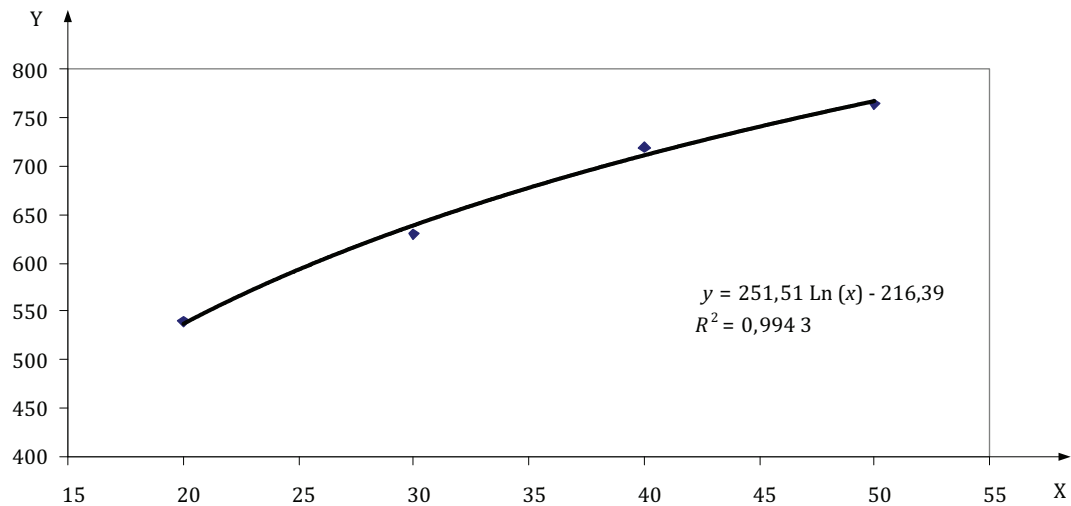
**Key**

- |   |                   |   |                                                  |
|---|-------------------|---|--------------------------------------------------|
| 1 | nut               | 5 | insulation hose (split only for imaging purpose) |
| 2 | crevice former    | 6 | bolt                                             |
| 3 | washer            | 7 | disc springs                                     |
| 4 | centralizing ring | 8 | test specimen                                    |

**Figure 2 — Sketch of the crevice assembly for tubes**

**6.4 Crevice formers for tubes**

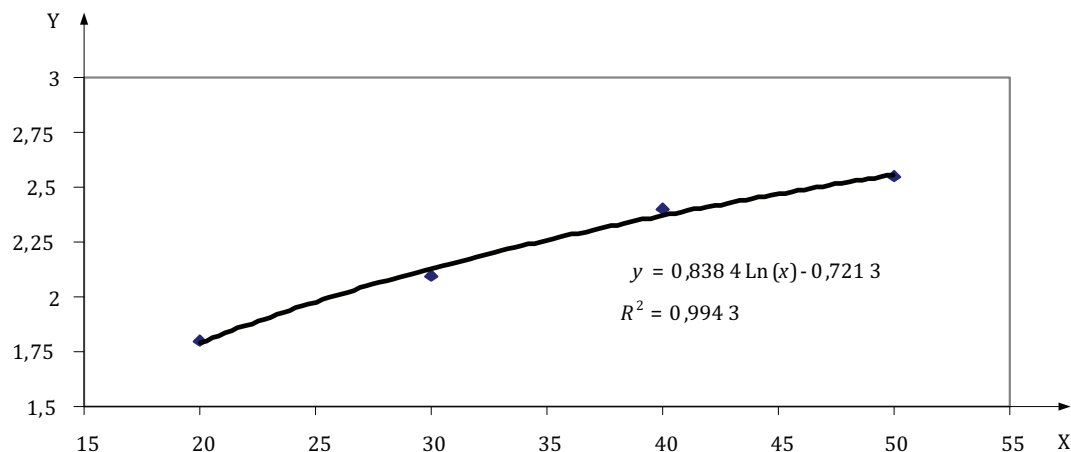
The specifications for crevice formers for tubes are given in [6.3](#). In addition, on one side, a curvature shall be machined with same radius as the outer diameter of the tube. The crevice former shall not be thinner than 5 mm. Examples of the calibration curves for the force and torque that shall be used for tubular specimens are shown in [Figure 3](#) and [Figure 4](#), respectively. The force from [Figure 3](#) shall be used for calculating the corresponding deflection using the linear relationship between the force and deflection for the spring assembly. The tube shall be thick enough to ensure no deflection of the tube during the test.



**Key**

- X outer tube diameter (mm)
- Y force (N)

**Figure 3 — Calibration curve for the force that shall be used for tubular specimens**



**Key**

- X outer tube diameter (mm)
- Y torque (Nm)

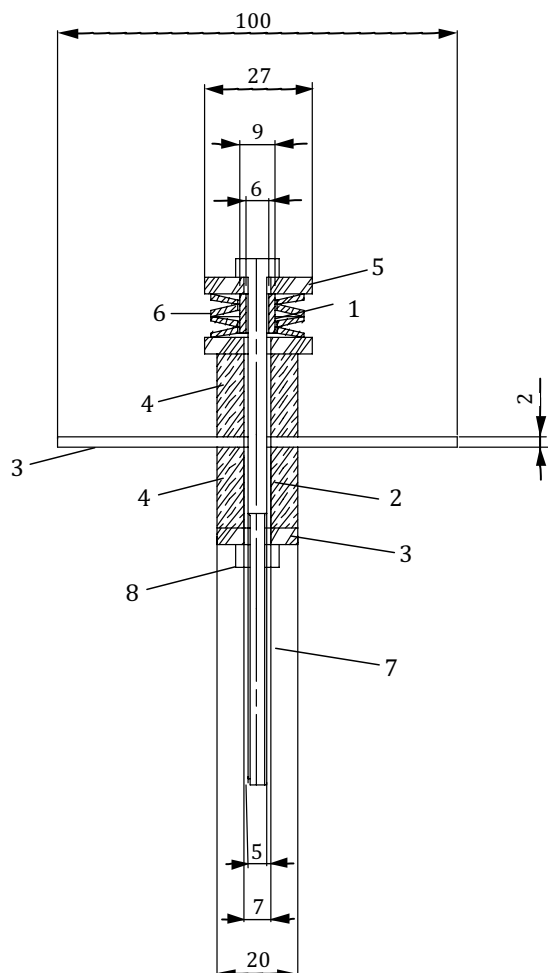
**Figure 4 — Calibration curve for the torque that shall be used for tubular specimens**

**6.5 Preparation of the crevice formers surfaces**

The crevice formers shall be wet ground with at least P1200 grit paper, according to ISO 6344-3, starting with lower grit paper. Make sure that all grooves from machining are completely removed. When reusing the crevice formers, grinding with P1200 grit paper is sufficient. Make sure that there are no visible corrosion products on the crevice former.

## 6.6 Crevice assembly

6.6.1 The parts are mounted on the bolt in the following order, relative to the bolt head: washer, 4-disc springs in position, washer, crevice former, specimen, crevice former, washer, nut. A schematic drawing of the assembly for flat specimens is shown in [Figure 5](#).



### Key

1	centralizing ring	5	washer
2	hose	6	disc springs
3	test specimen	7	bolt
4	crevice former	8	nut

**Figure 5 — Sketch of spring loaded crevice former for flat specimens**

6.6.2 The bolt shall be insulated, as mentioned above, to avoid electrical contact with the specimen (see [Figure 1](#) and [Figure 2](#)). This shall be checked with an Ohm-meter.

6.6.3 In order to make sure that the torque on the specimens is constant during the exposure, the distance between washers shall be measured before and after exposure. An example of a test report is given in [Annex A](#). The nut is turned on the thread by use of a torque wrench to 0,2 Nm. In this position, the distance between the washers mounted towards the springs is measured (e.g. with a vernier calliper measurement gauge) in four positions around the circumference (3 o'clock, 6 o'clock, 9 o'clock and 12 o'clock). The average value is calculated, recorded, and designated *LBL*.

**6.6.4** The nut is then loaded to the specified torque, which is 3 Nm for flat specimens using DIN 2093 disc springs, with the torque. The distance between the washers mounted towards the springs is measured again at the same positions as prior to loading. The average value is calculated, recorded, and designated  $LAL_1$ . The deflection  $\Delta L_1$ , is calculated as  $\Delta L_1 = LBL - LAL_1$  and should be according to the deflection force curve within 0,1 mm for DIN 2093 disc springs. If out of this range, the calibration status of the torque wrench should be controlled and reassembling has to be done. These values are obtained for the threads used in this test. The assembly is now ready for immersion in the test solution.

## 6.7 Ending test

Before dismounting the assemblies, check the deflection,  $\Delta L_2 = LBL - LAL_2$ , by measuring again the distance between the washers mounted towards the springs, at the same positions as prior to loading and exposure (see [6.6.3](#) and [6.6.4](#)).

## 6.8 Cleaning

After dismantling, the crevice former shall be washed in warm water and brushed with a soft bristle brush. If necessary, the titanium parts can be cleaned in 20 % nitric acid,  $HNO_3$ . The crevice formers shall be wet ground to a surface finish of at least P1200 grit paper before reuse.

## 7 Documentation

The documentation shall include the following information:

- reference to this International Standard, i.e. ISO 18070;
- full description of the test material from which the specimens were taken, including composition, surface finish and structural condition, type of product, and section thickness;
- specimen ID;
- applied torque (Nm),  $LBL$ ,  $LAL_1$ ,  $LAL_2$  and resulting deflections  $\Delta L_1$  and  $\Delta L_2$ ;
- test assembly.

## Annex A (informative)

### Example of test report format of deflection measurements

Deflection measurements (mm)	Clock position (mm)				Average
	<i>3 o'clock</i>	<i>6 o'clock</i>	<i>9 o'clock</i>	<i>12 o'clock</i>	
Distance between washers at a torque of 0,2 Nm ( <i>LBL</i> )					
Distance between washers at a torque of 3,0 Nm ( <i>LAL<sub>1</sub></i> )					
Deflection ( $\Delta L_1$ )					
Distance between washers measured after exposure ( <i>LAL<sub>2</sub></i> )					
Deflection ( $\Delta L_2$ )					



## Bibliography

- [1] Huizinga, S. and J.G. de Jong. Crevice corrosion test of stainless steel - with a controlled crevice geometry, European Federation of Corrosion Publications No. 33, ISBN 1-86125-151-3, IOM Communications Ltd., London 2001, in applicable parts





# British Standards Institution (BSI)

BSI is the national body responsible for preparing British Standards and other standards-related publications, information and services.

BSI is incorporated by Royal Charter. British Standards and other standardization products are published by BSI Standards Limited.

## About us

We bring together business, industry, government, consumers, innovators and others to shape their combined experience and expertise into standards-based solutions.

The knowledge embodied in our standards has been carefully assembled in a dependable format and refined through our open consultation process. Organizations of all sizes and across all sectors choose standards to help them achieve their goals.

## Information on standards

We can provide you with the knowledge that your organization needs to succeed. Find out more about British Standards by visiting our website at [bsigroup.com/standards](http://bsigroup.com/standards) or contacting our Customer Services team or Knowledge Centre.

## Buying standards

You can buy and download PDF versions of BSI publications, including British and adopted European and international standards, through our website at [bsigroup.com/shop](http://bsigroup.com/shop), where hard copies can also be purchased.

If you need international and foreign standards from other Standards Development Organizations, hard copies can be ordered from our Customer Services team.

## Subscriptions

Our range of subscription services are designed to make using standards easier for you. For further information on our subscription products go to [bsigroup.com/subscriptions](http://bsigroup.com/subscriptions).

With **British Standards Online (BSOL)** you'll have instant access to over 55,000 British and adopted European and international standards from your desktop. It's available 24/7 and is refreshed daily so you'll always be up to date.

You can keep in touch with standards developments and receive substantial discounts on the purchase price of standards, both in single copy and subscription format, by becoming a **BSI Subscribing Member**.

**PLUS** is an updating service exclusive to BSI Subscribing Members. You will automatically receive the latest hard copy of your standards when they're revised or replaced.

To find out more about becoming a BSI Subscribing Member and the benefits of membership, please visit [bsigroup.com/shop](http://bsigroup.com/shop).

With a **Multi-User Network Licence (MUNL)** you are able to host standards publications on your intranet. Licences can cover as few or as many users as you wish. With updates supplied as soon as they're available, you can be sure your documentation is current. For further information, email [bsmusales@bsigroup.com](mailto:bsmusales@bsigroup.com).

## BSI Group Headquarters

389 Chiswick High Road London W4 4AL UK

## Revisions

Our British Standards and other publications are updated by amendment or revision.

We continually improve the quality of our products and services to benefit your business. If you find an inaccuracy or ambiguity within a British Standard or other BSI publication please inform the Knowledge Centre.

## Copyright

All the data, software and documentation set out in all British Standards and other BSI publications are the property of and copyrighted by BSI, or some person or entity that owns copyright in the information used (such as the international standardization bodies) and has formally licensed such information to BSI for commercial publication and use. Except as permitted under the Copyright, Designs and Patents Act 1988 no extract may be reproduced, stored in a retrieval system or transmitted in any form or by any means – electronic, photocopying, recording or otherwise – without prior written permission from BSI. Details and advice can be obtained from the Copyright & Licensing Department.

## Useful Contacts:

### Customer Services

**Tel:** +44 845 086 9001

**Email (orders):** [orders@bsigroup.com](mailto:orders@bsigroup.com)

**Email (enquiries):** [cservices@bsigroup.com](mailto:cservices@bsigroup.com)

### Subscriptions

**Tel:** +44 845 086 9001

**Email:** [subscriptions@bsigroup.com](mailto:subscriptions@bsigroup.com)

### Knowledge Centre

**Tel:** +44 20 8996 7004

**Email:** [knowledgecentre@bsigroup.com](mailto:knowledgecentre@bsigroup.com)

### Copyright & Licensing

**Tel:** +44 20 8996 7070

**Email:** [copyright@bsigroup.com](mailto:copyright@bsigroup.com)



...making excellence a habit.™