



BSI Standards Publication

Respiratory protective devices — Methods of test and test equipment

Part 13: RPD using regenerated breathable gas and special application mining escape RPD: Consolidated test for gas concentration, temperature, humidity, work of breathing, breathing resistance, elastance and duration

National foreword

This British Standard is the UK implementation of ISO 16900-13:2015.

The UK participation in its preparation was entrusted to Technical Committee PH/4, Respiratory protection.

A list of organizations represented on this committee can be obtained on request to its secretary.

This publication does not purport to include all the necessary provisions of a contract. Users are responsible for its correct application.

© The British Standards Institution 2015.
Published by BSI Standards Limited 2015

ISBN 978 0 580 80494 6

ICS 13.340.30

Compliance with a British Standard cannot confer immunity from legal obligations.

This British Standard was published under the authority of the Standards Policy and Strategy Committee on 31 October 2015.

Amendments/corrigenda issued since publication

Date	Text affected
------	---------------

**Respiratory protective devices —
Methods of test and test equipment —**

Part 13:

**RPD using regenerated breathable
gas and special application mining
escape RPD: Consolidated test for gas
concentration, temperature, humidity,
work of breathing, breathing
resistance, elastance and duration**

*Appareils de protection respiratoire — Méthodes d'essai et
équipement d'essai —*

*Partie 13: Appareils de protection respiratoire utilisant du gaz
respirable et appareils de protection respiratoire pour application
spéciale d'échappatoire minière: essai de consolidation pour
concentration de gaz, température, humidité, travail respiratoire,
résistance respiratoire et durée*





COPYRIGHT PROTECTED DOCUMENT

© ISO 2015, Published in Switzerland

All rights reserved. Unless otherwise specified, no part of this publication may be reproduced or utilized otherwise in any form or by any means, electronic or mechanical, including photocopying, or posting on the internet or an intranet, without prior written permission. Permission can be requested from either ISO at the address below or ISO's member body in the country of the requester.

ISO copyright office
Ch. de Blandonnet 8 • CP 401
CH-1214 Vernier, Geneva, Switzerland
Tel. +41 22 749 01 11
Fax +41 22 749 09 47
copyright@iso.org
www.iso.org

Contents

Page

Foreword	iv
Introduction	vi
1 Scope	1
2 Normative references	1
3 Terms and definitions	1
4 Prerequisites	2
5 General test requirements	2
6 Test of RPD performance at work rate	2
6.1 General.....	2
6.2 Test regimes.....	3
6.2.1 General.....	3
6.2.2 Regime for RPD of class W1.....	3
6.2.3 Regime for RPD of class W2.....	3
6.2.4 Regime for RPD of class W3.....	4
6.2.5 Regime for RPD of class W4.....	4
6.3 Determination of capacity of class Sxxxx RPD.....	4
6.3.1 Class Sxxxx RPD — having class L respiratory interfaces using compressed breathable gas.....	4
6.3.2 Class Sxxxx RPD — not using compressed breathable gas.....	5
6.4 Volume averaged work of breathing, pressures and elastance.....	5
6.4.1 Work of breathing/breathing resistance (peak pressures).....	5
6.4.2 Elastance.....	5
6.5 Gas concentrations.....	6
6.5.1 General.....	6
6.5.2 CO ₂ concentration limits.....	6
6.5.3 Oxygen content.....	6
6.6 Temperature and humidity.....	6
6.7 CO content of inspired gas.....	6
7 Apparatus	7
8 Test report	9
Annex A (normative) Application of uncertainty of measurement	11

Foreword

ISO (the International Organization for Standardization) is a worldwide federation of national standards bodies (ISO member bodies). The work of preparing International Standards is normally carried out through ISO technical committees. Each member body interested in a subject for which a technical committee has been established has the right to be represented on that committee. International organizations, governmental and non-governmental, in liaison with ISO, also take part in the work. ISO collaborates closely with the International Electrotechnical Commission (IEC) on all matters of electrotechnical standardization.

The procedures used to develop this document and those intended for its further maintenance are described in the ISO/IEC Directives, Part 1. In particular the different approval criteria needed for the different types of ISO documents should be noted. This document was drafted in accordance with the editorial rules of the ISO/IEC Directives, Part 2 (see www.iso.org/directives).

Attention is drawn to the possibility that some of the elements of this document may be the subject of patent rights. ISO shall not be held responsible for identifying any or all such patent rights. Details of any patent rights identified during the development of the document will be in the Introduction and/or on the ISO list of patent declarations received (see www.iso.org/patents).

Any trade name used in this document is information given for the convenience of users and does not constitute an endorsement.

For an explanation on the meaning of ISO specific terms and expressions related to conformity assessment, as well as information about ISO's adherence to the WTO principles in the Technical Barriers to Trade (TBT) see the following URL: [Foreword - Supplementary information](#).

The committee responsible for this document is ISO/TC 94, *Personal safety — Protective clothing and equipment*, Subcommittee SC 15, *Respiratory protective devices*.

ISO 16900 consists of the following parts, under the general title *Respiratory protective devices — Methods of test and test equipment*:

- *Part 1: Determination of inward leakage*
- *Part 2: Determination of breathing resistance*
- *Part 3: Determination of particle filter penetration*
- *Part 4: Determination of gas filter capacity and migration, desorption and carbon monoxide dynamic testing*
- *Part 5: Breathing machine, metabolic simulator, RPD headforms and torso, tools and verification tools*
- *Part 6: Mechanical resistance/strength of components and connections*
- *Part 7: Practical performance tests methods*
- *Part 8: Measurement of RPD air flow rates of assisted filtering RPD*
- *Part 9: Determination of carbon dioxide content of the inhaled air*
- *Part 10: Resistance to ignition, flame, radiant heat and heat*
- *Part 11: Determination of field of vision*
- *Part 12: Determination of volume-averaged work of breathing and peak respiratory pressures*
- *Part 13: RPD using regenerated breathable gas and special application mining escape RPD: Consolidated test for gas concentration, temperature, humidity, work of breathing, breathing resistance, elastance and duration*

— *Part 14: Measurement of sound level*

Introduction

This part of ISO 16900 is intended as a supplement to the respiratory protective devices (RPD) performance standards. Test methods are specified for complete devices or parts of devices that are intended to comply with the performance standards.

The following definitions apply in understanding how to implement an ISO International Standard and other normative ISO deliverables (TS, PAS, IWA):

- “shall” indicates a requirement;
- “should” indicates a recommendation;
- “may” is used to indicate that something is permitted;
- “can” is used to indicate that something is possible, for example, that an organization or individual is able to do something.

3.3.1 of the ISO/IEC Directives, Part 2 (sixth edition, 2011) defines a requirement as an “expression in the content of a document conveying criteria to be fulfilled if compliance with the document is to be claimed and from which no deviation is permitted.”

3.3.2 of the ISO/IEC Directives, Part 2 (sixth edition, 2011) defines a recommendation as an “expression in the content of a document conveying that among several possibilities one is recommended as particularly suitable, without mentioning or excluding others, or that a certain course of action is preferred but not necessarily required, or that (in the negative form) a certain possibility or course of action is deprecated but not prohibited.”

Respiratory protective devices — Methods of test and test equipment —

Part 13:

RPD using regenerated breathable gas and special application mining escape RPD: Consolidated test for gas concentration, temperature, humidity, work of breathing, breathing resistance, elastance and duration

1 Scope

This part of ISO 16900 specifies tests which are specific to RPDs using regenerated breathable gas, compressed breathable gas with class L respiratory interfaces, and special application mining escape RPD.

2 Normative references

The following documents, in whole or in part, are normatively referenced in this document and are indispensable for its application. For dated references, only the edition cited applies. For undated references, the latest edition of the referenced document (including any amendments) applies.

ISO 16900-12, *Respiratory protective devices — Methods of test and test equipment — Part 12: Determination of volume-averaged work of breathing and peak respiratory pressures*

ISO 16972, *Respiratory protective devices — Terms, definitions, graphical symbols and units of measurement*

3 Terms and definitions

For the purposes of this document, the terms and definitions given in ISO 16972 and the following apply.

3.1

class Sxxxx RPD

supplied breathable gas RPD, where Sxxxx equals the amount of breathable gas available for respiration in litres

3.2

body temperature pressure saturated BTPS

standard condition for the expression of ventilation parameters

Note 1 to entry: Body temperature (37 °C), atmospheric pressure 101,3 kPa (760 mmHg), and water vapour pressure (6,27 kPa) in saturated air.

3.3

standard temperature pressure dry STPD

standard conditions for expression of oxygen consumption

Note 1 to entry: Standard temperature (0 °C) and pressure (101,3 kPa, 760 mmHg), dry air (0 % relative humidity).

3.4

capacity

volume of available breathable gas of an RPD

4 Prerequisites

The performance standards shall indicate the conditions of the test. This includes the following:

- number of specimens;
- operating conditions of the RPD;
- the types of support such as RPD headform/fixation;
- any prior conditioning or testing;
- work rate class;
- temperature(s) at which tests are to be performed;
- any deviations from the test method(s).

5 General test requirements

Unless otherwise specified, the values stated in this part of ISO 16900 are expressed as nominal values. Except for temperature limits, values which are not stated as maxima or minima shall be subject to a tolerance of ± 5 %. Unless otherwise specified, the ambient conditions for testing shall be between 16 °C and 32 °C and (50 ± 30) % relative humidity. Any temperature limits specified shall be subject to an accuracy of ± 1 °C.

Where the assessment of the pass/fail criterion depends on a measurement, an uncertainty of measurement as specified in [Annex A](#) shall be reported.

The startup process for the RPD shall follow the information supplied by the manufacturer.

6 Test of RPD performance at work rate

6.1 General

RPD cylinders shall be charged to working pressure before testing (if applicable).

RPD shall be equilibrated and tested at each specified test temperature.

The following parameters shall be determined:

- work of breathing/breathing resistance, see [6.4.1](#);
- elastance, see [6.4.2](#);
- CO₂ concentration limits, see [6.5.2](#);
- oxygen content of RPD using regenerated breathable gas, see [6.5.3.1](#);
- oxygen content of RPD using oxygen enriched breathable gas, see [6.5.3.2](#);
- temperature and humidity of inspired breathable gas for regenerated breathable gas RPD and oxygen enriched breathable gas RPD, see [6.6](#);
- capacity.

For RPD that protect against carbon monoxide, the carbon monoxide content of the inspired gas shall be determined in accordance with 6.7.

The test termination point for class Sxxxx RPD shall be when any one of the above criteria for the RPD's class is no longer met.

The settings for the metabolic simulator for each flow rate are given in Table 1.

Table 1 — Settings for metabolic simulator for each flow rate

Flow rate (dynamic sinusoidal)	Breathing frequency	Tidal volume	O ₂ consumption rate	CO ₂ injection rate
l/min (BTPS) ^a	cycles/min	l (BTPS)	l/min (STPD) ^a	l/min (STPD)
10 (±3 %)	10,0	1,0	0,31	0,26
35 (±2 %)	23,3	1,5	1,09	0,91
65 (±2 %)	32,5	2,0	2,03	1,82
105 (±2 %)	42,0	2,5	3,28	3,57
135 (±1 %)	45,0	3,0	4,22	4,59

^a The values in Table 1 are given at BTPS and STPD, because values at BTPS reflect the conditions of the human, while STPD is used for settings of laboratory equipment.

6.2 Test regimes

6.2.1 General

RPD shall be tested to the test regime which is in accordance with the designated work rate class.

The transition period between one work rate and the next work rate shall be no more than one minute while the RPD is still functioning.

During the transition between the settings of the different flow rates, stopping of the breathing machine for more than 5 s is not allowed for those types of RPD using enriched or generated oxygen.

For all RPD using control means, the test shall be performed both with the operating setting of the RPD adjusted to the maximum and the minimum flow conditions as specified by the manufacturer.

Testing shall be performed on the appropriate required headform.

Humidity and temperature of the exhaled gas shall be as required by the performance requirements.

6.2.2 Regime for RPD of class W1

- a) 35 l/min for 10 min
- b) 10 l/min for 5 min

Repeat steps a and b above until the test termination point is reached.

The RPD shall have enough capacity to complete step a at least once. It is not required to complete all of step b if the test termination point is reached.

6.2.3 Regime for RPD of class W2

- a) 35 l/min for 5 min
- b) 65 l/min for 5 min

- c) 10 l/min for 5 min

Repeat steps a through c above until the test termination point is reached.

The RPD shall have enough capacity to complete steps a and b at least once. It is not required to complete all of step c if the test termination point is reached.

6.2.4 Regime for RPD of class W3

- a) 35 l/min for 4 min
b) 65 l/min for 3 min
c) 105 l/min for 3 min
d) 10 l/min for 5 min

Repeat steps a through d above until the test termination point is reached.

The RPD shall have enough capacity to complete steps a, b, and c at least once. It is not required to complete all of step d if the test termination point is reached.

6.2.5 Regime for RPD of class W4

- a) 35 l/min for 2 min
b) 105 l/min for 3 min
c) 65 l/min for 2 min
d) 135 l/min for 3 min
e) 10 l/min for 5 min

Repeat steps a through e above until the test termination point is reached

The RPD shall have enough capacity to complete steps a, b, c, and d at least once. It is not required to complete all of step e if the test termination point is reached.

6.3 Determination of capacity of class Sxxxx RPD

6.3.1 Class Sxxxx RPD — having class L respiratory interfaces using compressed breathable gas

RPD shall be equilibrated at each specified test temperature and tested at ambient temperature, according to the work rate specified by the manufacturer. The determination of the capacity shall be performed at settings specified in [Table 2](#).

Table 2 — Breathing machine settings for capacity tests

Work rate class	Flow rate (dynamic sinusoidal) l/min (BTPS)	Tidal volume l (BTPS)	Frequency cycles/min
W1	30 ± 2 %	1,5	20,0
W2	40 ± 2 %	2,0	20,0
W3	50 ± 2 %	2,0	25,0
W4	65 ± 2 %	2,0	32,5

Capacity for RPD is the usable breathable gas volume down to 2,0 MPa.

The capacity shall be determined by the lowest result.

Capacity is designated in litres rounded down to increments of 150 l up to 900 l and increments of 300 l above 900 l.

6.3.2 Class Sxxxx RPD — not using compressed breathable gas

RPD shall be evaluated as listed below when tested according to the table below. At least one RPD shall be equilibrated at each specified test temperature and tested at ambient temperature, according to the work rate specified by the manufacturer. The determination of the capacity shall be performed at settings described in [Table 3](#).

Table 3 — Metabolic simulator settings for capacity

Work rate class	Flow rate (dynamic sinusoidal) l/min (BTPS)	Tidal volume l (BTPS)	Frequency cycles/min	O ₂ consumption rate l/min (STPD)	CO ₂ injection rate l/min (STPD)
W1	30 (±2 %)	1,5	20,0	0,93	0,78
W2	40 (±2 %)	2,0	20,0	1,24	1,05
W3	50 (±2 %)	2,0	25,0	1,55	1,35
W4	65 (±2 %)	2,0	32,5	2,03	1,82

Capacity is the usable breathable gas supplied by the RPD until the performance limits in performance standard are no longer met.

The capacity shall be determined by the lowest result.

Capacity is designated in litres rounded down to increments of 150 l up to 900 l and increments of 300 l above 900 l.

6.4 Volume averaged work of breathing, pressures and elastance

6.4.1 Work of breathing/breathing resistance (peak pressures)

RPD work of breathing and breathing resistance (peak pressures) shall be determined in each cycle of each step of the test regime for the designated work rate class, specified in [6.2](#).

The measurements shall begin after the stabilization of each step.

The average of any 10 consecutive determinations shall be reported.

Testing shall be performed in accordance with ISO 16900-12 and the relevant regimes specified in [6.2.2](#) to [6.2.5](#).

6.4.2 Elastance

RPD elastance shall be determined in each cycle of each step of the test regime for the designated work rate class, specified in [6.2](#). The measurements shall start after the stabilization of each step.

The average of any 10 consecutive determinations shall be reported.

Testing shall be performed in accordance with ISO 16900-12.

6.5 Gas concentrations

6.5.1 General

A peak resulting from the switch of the testing equipment from one work rate level to the next shall not be considered as a failure and shall not be assessed during the gas measurement.

The test and measurement equipment shall be appropriate for the gas concentrations and humidity levels and have sufficient response times to record changes occurring during tests.

Gas concentration shall be reported as the percentage of the dry gas.

6.5.2 CO₂ concentration limits

The average of 10 consecutive breaths shall be used to determine the termination point.

Testing shall be performed in accordance with ISO 16900-9 using the relevant regimes specified in [6.2.2](#) to [6.2.5](#).

6.5.3 Oxygen content

6.5.3.1 Oxygen content of RPD using regenerated breathable gas

Test using the relevant regimes specified in [6.2.2](#) to [6.2.5](#).

Determine the lowest level of inspired oxygen in the initial three minutes.

Determine the lowest level of inspired oxygen between minute three and a half and the termination point.

6.5.3.2 Oxygen content of RPD using oxygen enriched breathable gas

Test using the relevant regimes specified in [6.2.2](#) to [6.2.5](#).

Determine the lowest level of inspired oxygen between the start of the test and the termination point.

6.6 Temperature and humidity

A peak resulting from the switch of the testing equipment from one work rate level to the next shall not be considered as a failure.

Test using the relevant regimes specified in [6.2.2](#) to [6.2.5](#).

Record the highest inspired temperature for each range of inspired relative humidity.

6.7 CO content of inspired gas

Schematic arrangement of equipment required for this test is shown in [Figure 3](#). The temperature of the inspired gas shall be measured by a fast responding sensor. The wet bulb temperature of the inspired gas shall be measured at key 4 in [Figure 3](#). Work of breathing, wet and dry bulb temperatures of inspired gas, and carbon monoxide concentration shall be measured and recorded continuously.

A continuous flow of test atmosphere shall be fed into the test chamber. The test atmosphere consists of air with a temperature and humidity and a CO concentration as specified in the performance standard. The carbon monoxide concentration in the test chamber shall be measured and monitored continuously close to the gas inlet of the filtering device. Temperature and humidity of the inspired gas shall be measured at the sampling point in the airway opening (see key 4 in [Figure 3](#))

The temperature of the exhaled gas shall be checked at the temperature measuring point of the connector and adjusted before starting the test. The humidity of the test gas in the test chamber shall be monitored and controlled continuously close to the gas inlet of the RPD. Measurements of CO

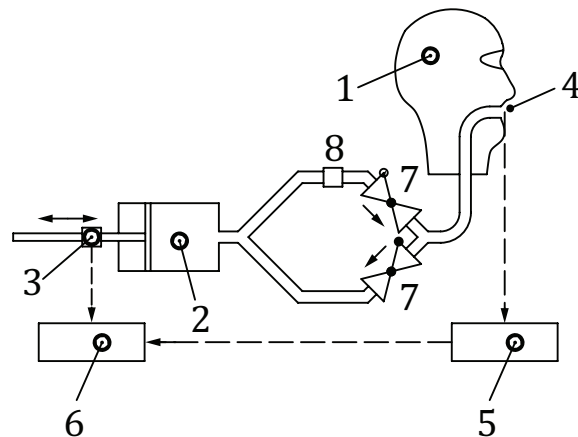
concentration and humidity may be performed at a point in the inspiratory flow path between check valves and the conditioning unit for exhaled gas (see key 7 and key 8 in [Figure 3](#)).

NOTE The test atmosphere in the test chamber can be affected by the RPD under test.

7 Apparatus

[Figure 1](#) shows a simplified setup for recordings of temperature, O₂, CO₂, and humidity. Measurements are taken at the sampling point in the airway opening (see key 4). The displacement sensor on the breathing machine identifies whether the breathing machine is inhaling or exhaling.

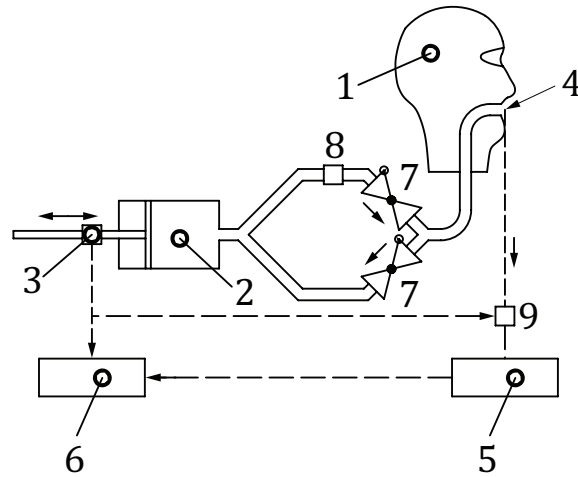
The inhaled gas can be analysed by drawing a sample only during inspiration (see [Figure 2](#)), by selecting only inspirations in the recorded data or other equivalent methods.



Key

- 1 headform or other suitable mechanism to hold RPD under test
- 2 breathing machine
- 3 displacement sensor
- 4 sampling point in the airway opening
- 5 transducer or signal conditioner, if separate from key 4
- 6 data acquisition device
- 7 check valve
- 8 conditioning unit (e.g. temperature and humidity control, O₂ and CO₂ control) for exhaled gas

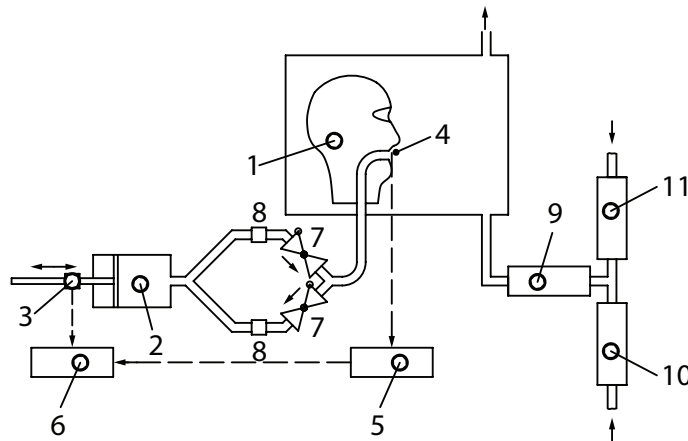
Figure 1 — Simplified schematic of a typical test set up



Key

- 1 headform or other suitable mechanism to hold RPD under test
- 2 breathing machine
- 3 displacement sensor
- 4 sampling point in the airway opening
- 5 transducer or signal conditioner, if separate from key 4
- 6 data acquisition device
- 7 check valves
- 8 conditioning unit (e.g. temperature and humidity control, O₂ and CO₂ control) for exhaled gas
- 9 sampling control device operated from the displacement sensor to ensure sampling only during inhalation

Figure 2 — Simplified schematic of a typical test set up where the sampling gas is drawn only during inhalations



Key

- 1 headform or other suitable mechanism to hold RPD under test
- 2 breathing machine
- 3 displacement sensor
- 4 sampling point in the airway opening
- 5 transducer or signal conditioner, if separate from 4.
- 6 data acquisition device
- 7 check valves
- 8 conditioning unit (e.g. temperature and humidity control, O₂ and CO₂ control) for exhaled gas
- 9 humidifier
- 10 flow controller for air
- 11 flow controller for carbon monoxide

Figure 3 — Simplified schematic of a typical test set up for carbon monoxide test

8 Test report

The test report shall include at least the following information:

- a) information identifying the RPD (model, sizes);
- b) operating parameters specific to RPD;
- c) number of specimens tested;
- d) any prior conditioning or testing;
- e) the selection of RPD headforms/torso;
- f) combination of tidal volume and breathing frequency and resulting minute ventilation;
- g) for each test specimen:
 - 1) minimum oxygen content,
 - 2) carbon dioxide levels,
 - 3) temperatures and humidity,
 - 4) carbon monoxide levels;
- h) any deviations from the method(s) and justification(s);

i) uncertainty of measurement (see [Annex A](#)).

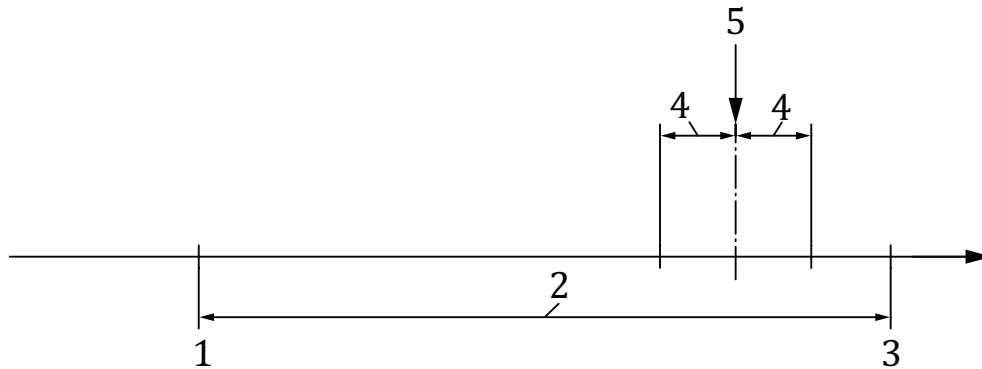
Annex A (normative)

Application of uncertainty of measurement

A.1 Determination of compliance

In order to determine compliance or otherwise of the measurement made in accordance with this test method, when compared to the specification limits given in the performance standard, the following protocol shall be applied.

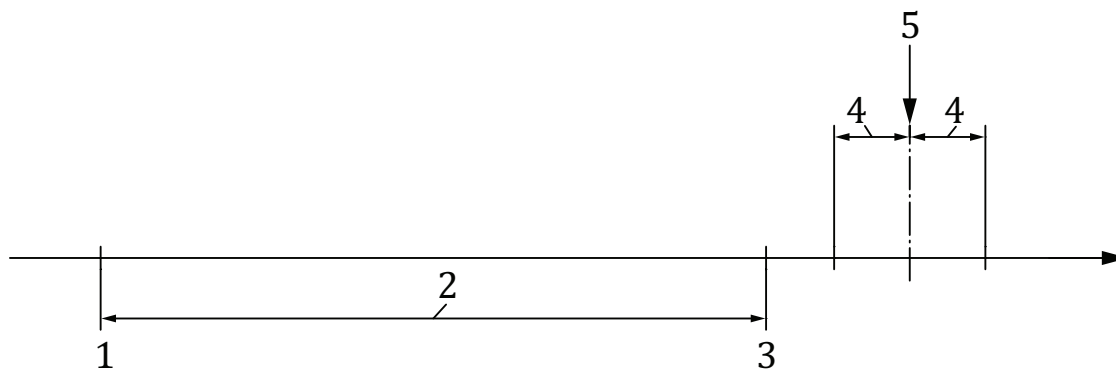
If the test result \pm the uncertainty of measurement, U , falls completely inside or outside of the specification zone for the particular test given in the performance standard, then the result shall be deemed to be a straightforward pass or fail (see [Figures A.1](#) and [A.2](#)).



Key

- 1 lower specification limit
- 2 specification zone
- 3 upper specification limit
- 4 uncertainty of measurement, U
- 5 measured value

Figure A.1 — Result pass

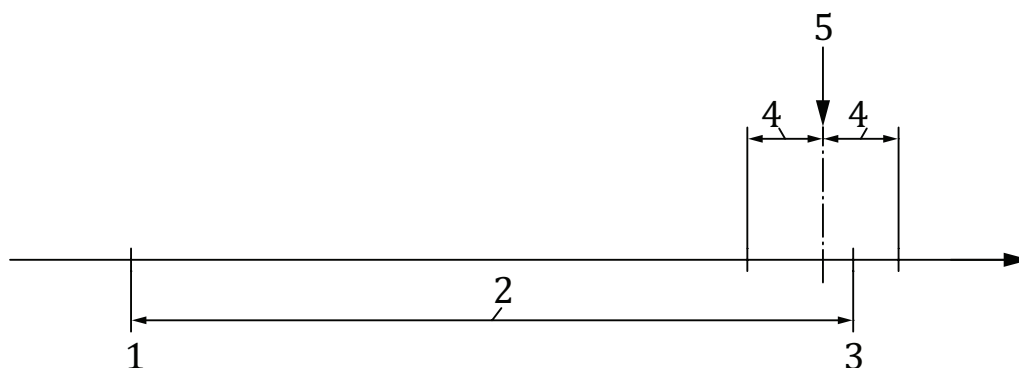


Key

- 1 lower specification limit
- 2 specification zone
- 3 upper specification limit
- 4 uncertainty of measurement, U
- 5 measured value

Figure A.2 — Result fail

If the test result \pm the uncertainty of measurement, U , overlaps a specification limit value (upper or lower) for the particular test given in the performance standard, then the assessment of pass or fail shall be determined on the basis of safety for the wearer of the device; that is, the result shall be deemed to be a fail (see [Figure A.3](#)).



Key

- 1 lower specification limit
- 2 specification zone
- 3 upper specification limit
- 4 uncertainty of measurement, U
- 5 measured value

Figure A.3 — Result fail

British Standards Institution (BSI)

BSI is the national body responsible for preparing British Standards and other standards-related publications, information and services.

BSI is incorporated by Royal Charter. British Standards and other standardization products are published by BSI Standards Limited.

About us

We bring together business, industry, government, consumers, innovators and others to shape their combined experience and expertise into standards-based solutions.

The knowledge embodied in our standards has been carefully assembled in a dependable format and refined through our open consultation process. Organizations of all sizes and across all sectors choose standards to help them achieve their goals.

Information on standards

We can provide you with the knowledge that your organization needs to succeed. Find out more about British Standards by visiting our website at bsigroup.com/standards or contacting our Customer Services team or Knowledge Centre.

Buying standards

You can buy and download PDF versions of BSI publications, including British and adopted European and international standards, through our website at bsigroup.com/shop, where hard copies can also be purchased.

If you need international and foreign standards from other Standards Development Organizations, hard copies can be ordered from our Customer Services team.

Subscriptions

Our range of subscription services are designed to make using standards easier for you. For further information on our subscription products go to bsigroup.com/subscriptions.

With **British Standards Online (BSOL)** you'll have instant access to over 55,000 British and adopted European and international standards from your desktop. It's available 24/7 and is refreshed daily so you'll always be up to date.

You can keep in touch with standards developments and receive substantial discounts on the purchase price of standards, both in single copy and subscription format, by becoming a **BSI Subscribing Member**.

PLUS is an updating service exclusive to BSI Subscribing Members. You will automatically receive the latest hard copy of your standards when they're revised or replaced.

To find out more about becoming a BSI Subscribing Member and the benefits of membership, please visit bsigroup.com/shop.

With a **Multi-User Network Licence (MUNL)** you are able to host standards publications on your intranet. Licences can cover as few or as many users as you wish. With updates supplied as soon as they're available, you can be sure your documentation is current. For further information, email bsmusales@bsigroup.com.

BSI Group Headquarters

389 Chiswick High Road London W4 4AL UK

Revisions

Our British Standards and other publications are updated by amendment or revision.

We continually improve the quality of our products and services to benefit your business. If you find an inaccuracy or ambiguity within a British Standard or other BSI publication please inform the Knowledge Centre.

Copyright

All the data, software and documentation set out in all British Standards and other BSI publications are the property of and copyrighted by BSI, or some person or entity that owns copyright in the information used (such as the international standardization bodies) and has formally licensed such information to BSI for commercial publication and use. Except as permitted under the Copyright, Designs and Patents Act 1988 no extract may be reproduced, stored in a retrieval system or transmitted in any form or by any means – electronic, photocopying, recording or otherwise – without prior written permission from BSI. Details and advice can be obtained from the Copyright & Licensing Department.

Useful Contacts:

Customer Services

Tel: +44 845 086 9001

Email (orders): orders@bsigroup.com

Email (enquiries): cservices@bsigroup.com

Subscriptions

Tel: +44 845 086 9001

Email: subscriptions@bsigroup.com

Knowledge Centre

Tel: +44 20 8996 7004

Email: knowledgecentre@bsigroup.com

Copyright & Licensing

Tel: +44 20 8996 7070

Email: copyright@bsigroup.com



...making excellence a habit.™