

BS ISO 16873:2011



BSI Standards Publication

Hydraulic fluid power — Pressure switches — Mounting surfaces

bsi.

...making excellence a habit.™

National foreword

This British Standard is the UK implementation of ISO 16873:2011. It supersedes BS ISO 16873:2002 which is withdrawn.

The UK participation in its preparation was entrusted to Technical Committee MCE/18/-/5, Control components.

A list of organizations represented on this committee can be obtained on request to its secretary.

This publication does not purport to include all the necessary provisions of a contract. Users are responsible for its correct application.

© BSI 2011

ISBN 978 0 580 70255 6

ICS 23.100.50

Compliance with a British Standard cannot confer immunity from legal obligations.

This British Standard was published under the authority of the Standards Policy and Strategy Committee on 30 November 2011.

Amendments issued since publication

Date	Text affected
------	---------------

INTERNATIONAL
STANDARD

BS ISO 16873:2011

ISO
16873

Second edition
2011-11-01

**Hydraulic fluid power — Pressure
switches — Mounting surfaces**

Transmissions hydrauliques — Pressostats — Plans de pose



Reference number
ISO 16873:2011(E)

© ISO 2011



COPYRIGHT PROTECTED DOCUMENT

© ISO 2011

All rights reserved. Unless otherwise specified, no part of this publication may be reproduced or utilized in any form or by any means, electronic or mechanical, including photocopying and microfilm, without permission in writing from either ISO at the address below or ISO's member body in the country of the requester.

ISO copyright office
Case postale 56 • CH-1211 Geneva 20
Tel. + 41 22 749 01 11
Fax + 41 22 749 09 47
E-mail copyright@iso.org
Web www.iso.org

Published in Switzerland

Foreword

ISO (the International Organization for Standardization) is a worldwide federation of national standards bodies (ISO member bodies). The work of preparing International Standards is normally carried out through ISO technical committees. Each member body interested in a subject for which a technical committee has been established has the right to be represented on that committee. International organizations, governmental and non-governmental, in liaison with ISO, also take part in the work. ISO collaborates closely with the International Electrotechnical Commission (IEC) on all matters of electrotechnical standardization.

International Standards are drafted in accordance with the rules given in the ISO/IEC Directives, Part 2.

The main task of technical committees is to prepare International Standards. Draft International Standards adopted by the technical committees are circulated to the member bodies for voting. Publication as an International Standard requires approval by at least 75 % of the member bodies casting a vote.

Attention is drawn to the possibility that some of the elements of this document may be the subject of patent rights. ISO shall not be held responsible for identifying any or all such patent rights.

ISO 16873 was prepared by Technical Committee ISO/TC 131, *Fluid power systems*, Subcommittee SC 5, *Control products and components*.

This second edition cancels and replaces the first edition (ISO 16873:2002), which has been technically revised. It also incorporates the Amendment ISO 16873:2002/Amd 1:2005.

The surface roughness is updated in Clause 5 according to ISO 3601-2. The modification in ISO 16873:2002/Amd.1:2005 concerning the figure footnotes is also incorporated.

Introduction

In hydraulic fluid power systems, power is transmitted and controlled through a liquid under pressure circulating within an enclosed circuit. Pressure switches are important components in such systems. They enable actions to be carried out with predetermined pressure values.

Hydraulic fluid power — Pressure switches — Mounting surfaces

1 Scope

This International Standard specifies the mounting surfaces for pressure switches and gives guidelines for the standardized arrangement of the connections for pressure switches and for the mounting of plates and hydraulic valves.

2 Normative references

The following referenced documents are indispensable for the application of this document. For dated references, only the edition cited applies. For undated references, the latest edition of the referenced document (including any amendments) applies.

ISO 3601-2:2008, *Fluid power systems — O-rings — Part 2: Housing dimensions for general applications*

ISO 5598, *Fluid power systems and components — Vocabulary*

ISO 5783, *Hydraulic fluid power — Code for identification of valve mounting surfaces and cartridge valve cavities*

3 Terms and definitions

For the purposes of this document, the terms and definitions given in ISO 5598 apply.

4 Symbols

4.1 For the purpose of this International Standard, the following symbols apply:

- a) P and L identify ports;
- b) F identifies threaded holes;
- c) G identifies locating pin holes.

4.2 The code system used in this International Standard is defined in ISO 5783.

5 Tolerances

The following requirements shall be applied to the mounting surface, i.e. the area within the chain thick lines in Figures 1 and 2:

- surface roughness: see ISO 3601-2:2008, 5.1.4 and 5.2.3;
- surface flatness: see ISO 3601-2:2008, 5.1.4;
- tolerance for diameters of locating pin holes: H12.

6 Dimensions

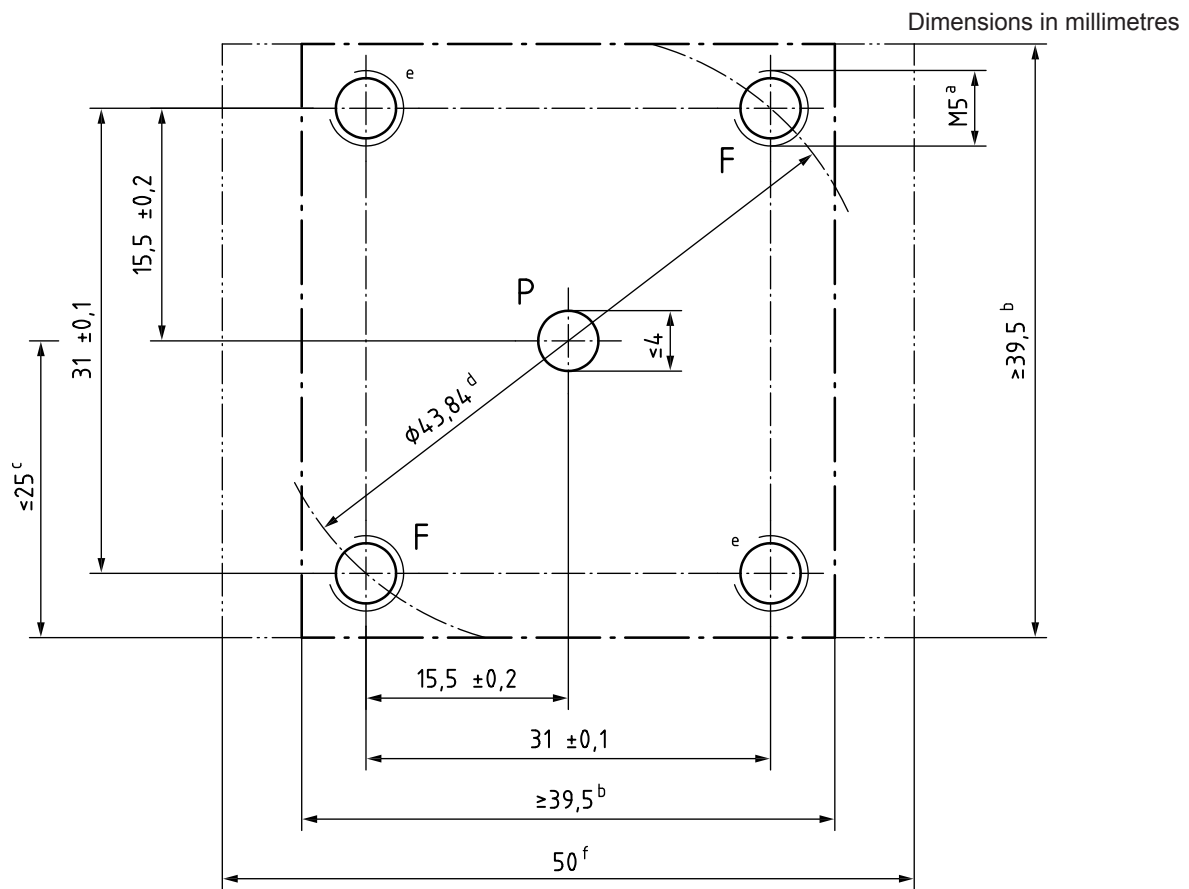
The mounting surface dimensions for pressure switches shall be selected from Figures 1 and 2, respectively:

- Mounting surface for pressure switches with P-port (code: ISO 16873-01-01-0-11).
- Mounting surface for pressure switches with P- and L-port (code: ISO 16873-01-02-0-11).

7 Identification statement (reference to this International Standard)

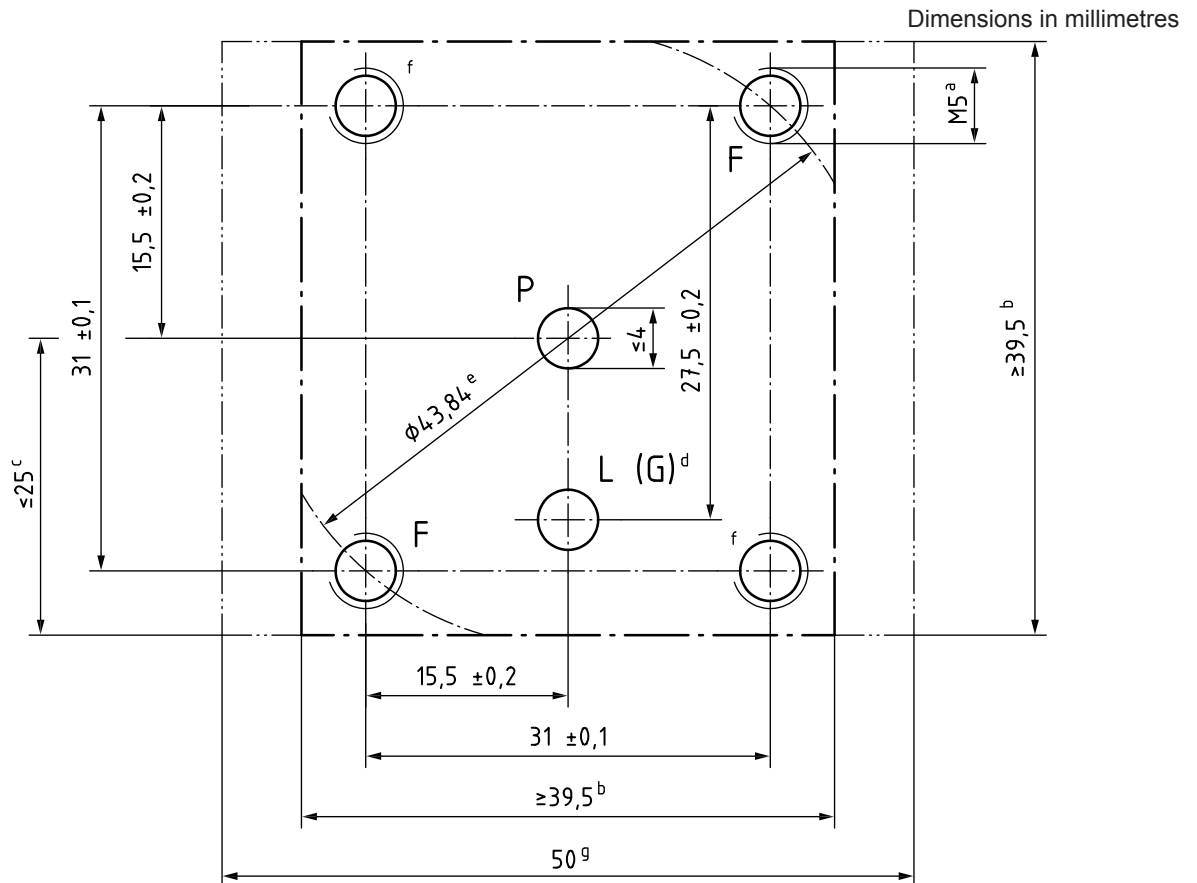
It is strongly recommended to manufacturers who have chosen to conform to this International Standard that the following statement be used in test reports, catalogues, and sales literature:

“Mounting surface dimensions of pressure switches conform to ISO 16873:2011, *Hydraulic fluid power — Pressure switches — Mounting surfaces*”.



- a The minimum thread depth is 1,5 bolt diameters, D . The recommended full thread depth shall be $2D + 6$ mm to aid interchangeability of pressure switches and to reduce the number of fixing bolt lengths. The recommended engagement of fixing bolt thread for ferrous mountings is $1,25D$.
- b The dimensions which mark the region within the dashed line are the minimum dimensions for the mounting surface. Along each axis the fastening bores have the same distance as the edges of the mounting surface.
- c Electrical connector and adjustment may exceed this dimension.
- d Reference dimensions.
- e Optional additional holes.
- f This dimension gives the minimum space required for a pressure switch with this mounting surface. The dimension is also the minimum distance from centreline to centreline of two identical mounting surfaces placed on a manifold block.

**Figure 1 — Mounting surface for pressure switches with a P-port
 (Code: ISO 16873-01-01-0-11)**



- a The minimum thread depth is 1,5 bolt diameters, D . The recommended full thread depth shall be $2D + 6$ mm to aid interchangeability of pressure switches and to reduce the number of fixing bolt lengths. The recommended engagement of fixing bolt thread for ferrous mountings is $1,25D$.
- b The dimensions which mark the region within the dashed lines are the minimum dimensions for the mounting surface. Along each axis the fastening bores have the same distance as the edges of the mounting surface.
- c Electrical connector and adjustment may exceed this dimension.
- d The L-port shall have the same diameter as the P-port. The position of the L-port may be used instead for a locating pin hole; the hole diameter is then 4 mm, and its minimum depth is 4 mm.
- e Reference dimensions.
- f Optional additional holes.
- g This dimension gives the minimum space required for a pressure switch with this mounting surface. The dimension is also the minimum distance from centreline to centreline of two identical mounting surfaces placed on a manifold block.

Figure 2 — Mounting surface for pressure switches with a P-port and L-port
(Code: ISO 16873-01-02-0-11)

Bibliography

- [1] ISO 129-1, *Technical drawings — Indication of dimensions and tolerances — Part 1: General principles*
- [2] ISO 286-1, *Geometrical product specifications (GPS) — ISO code system for tolerances on linear sizes — Part 1: Basis of tolerances, deviations and fits*
- [3] ISO 965-1, *ISO general-purpose metric screw threads — Tolerances — Part 1: Principles and basic data*
- [4] ISO 1101, *Geometrical Product Specifications (GPS) — Geometrical tolerancing — Tolerances of form, orientation, location and run-out*
- [5] ISO 1302, *Geometrical Product Specifications (GPS) — Indication of surface texture in technical product documentation*
- [6] ISO 4287, *Geometrical Product Specifications (GPS) — Surface texture: Profile method — Terms, definitions and surface texture parameters*
- [7] ISO 4401, *Hydraulic fluid power — Four-port directional control valves — Mounting surfaces*

British Standards Institution (BSI)

BSI is the national body responsible for preparing British Standards and other standards-related publications, information and services.

BSI is incorporated by Royal Charter. British Standards and other standardization products are published by BSI Standards Limited.

About us

We bring together business, industry, government, consumers, innovators and others to shape their combined experience and expertise into standards-based solutions.

The knowledge embodied in our standards has been carefully assembled in a dependable format and refined through our open consultation process. Organizations of all sizes and across all sectors choose standards to help them achieve their goals.

Information on standards

We can provide you with the knowledge that your organization needs to succeed. Find out more about British Standards by visiting our website at bsigroup.com/standards or contacting our Customer Services team or Knowledge Centre.

Buying standards

You can buy and download PDF versions of BSI publications, including British and adopted European and international standards, through our website at bsigroup.com/shop, where hard copies can also be purchased.

If you need international and foreign standards from other Standards Development Organizations, hard copies can be ordered from our Customer Services team.

Subscriptions

Our range of subscription services are designed to make using standards easier for you. For further information on our subscription products go to bsigroup.com/subscriptions.

With **British Standards Online (BSOL)** you'll have instant access to over 55,000 British and adopted European and international standards from your desktop. It's available 24/7 and is refreshed daily so you'll always be up to date.

You can keep in touch with standards developments and receive substantial discounts on the purchase price of standards, both in single copy and subscription format, by becoming a **BSI Subscribing Member**.

PLUS is an updating service exclusive to BSI Subscribing Members. You will automatically receive the latest hard copy of your standards when they're revised or replaced.

To find out more about becoming a BSI Subscribing Member and the benefits of membership, please visit bsigroup.com/shop.

With a **Multi-User Network Licence (MUNL)** you are able to host standards publications on your intranet. Licences can cover as few or as many users as you wish. With updates supplied as soon as they're available, you can be sure your documentation is current. For further information, email bsmusales@bsigroup.com.

BSI Group Headquarters

389 Chiswick High Road London W4 4AL UK

Revisions

Our British Standards and other publications are updated by amendment or revision.

We continually improve the quality of our products and services to benefit your business. If you find an inaccuracy or ambiguity within a British Standard or other BSI publication please inform the Knowledge Centre.

Copyright

All the data, software and documentation set out in all British Standards and other BSI publications are the property of and copyrighted by BSI, or some person or entity that owns copyright in the information used (such as the international standardization bodies) and has formally licensed such information to BSI for commercial publication and use. Except as permitted under the Copyright, Designs and Patents Act 1988 no extract may be reproduced, stored in a retrieval system or transmitted in any form or by any means – electronic, photocopying, recording or otherwise – without prior written permission from BSI. Details and advice can be obtained from the Copyright & Licensing Department.

Useful Contacts:

Customer Services

Tel: +44 845 086 9001

Email (orders): orders@bsigroup.com

Email (enquiries): cservices@bsigroup.com

Subscriptions

Tel: +44 845 086 9001

Email: subscriptions@bsigroup.com

Knowledge Centre

Tel: +44 20 8996 7004

Email: knowledgecentre@bsigroup.com

Copyright & Licensing

Tel: +44 20 8996 7070

Email: copyright@bsigroup.com



...making excellence a habit.™