

**BS ISO 16857:2013**



**BSI Standards Publication**

# **Ships and marine technology — Loose gear of lifting appliances on ships — Shackles**

**bsi.**

...making excellence a habit.™

**National foreword**

This British Standard is the UK implementation of ISO 16857:2013.

The UK participation in its preparation was entrusted to Technical Committee SME/32/-/4, Ships and marine technology - Outfitting and deck machinery.

A list of organizations represented on this committee can be obtained on request to its secretary.

This publication does not purport to include all the necessary provisions of a contract. Users are responsible for its correct application.

© The British Standards Institution 2014. Published by BSI Standards Limited 2014

ISBN 978 0 580 75010 6

ICS 47.020.40; 47.020.50

**Compliance with a British Standard cannot confer immunity from legal obligations.**

This British Standard was published under the authority of the Standards Policy and Strategy Committee on 28 February 2014.

**Amendments issued since publication**

Date	Text affected
------	---------------

---

INTERNATIONAL  
STANDARD

BS ISO 16857:2013

**ISO**  
**16857**

First edition  
2013-12-15

---

---

**Ships and marine technology — Loose  
gear of lifting appliances on ships —  
Shackles**

*Navires et technologie maritime — Accessoires mobiles des appareils  
de levage sur les navires — Manilles*



Reference number  
ISO 16857:2013(E)

© ISO 2013



**COPYRIGHT PROTECTED DOCUMENT**

© ISO 2013

All rights reserved. Unless otherwise specified, no part of this publication may be reproduced or utilized otherwise in any form or by any means, electronic or mechanical, including photocopying, or posting on the internet or an intranet, without prior written permission. Permission can be requested from either ISO at the address below or ISO's member body in the country of the requester.

ISO copyright office  
Case postale 56 • CH-1211 Geneva 20  
Tel. + 41 22 749 01 11  
Fax + 41 22 749 09 47  
E-mail [copyright@iso.org](mailto:copyright@iso.org)  
Web [www.iso.org](http://www.iso.org)

Published in Switzerland

# Contents

Page

<b>Foreword</b> .....	<b>iv</b>
<b>1 Scope</b> .....	<b>1</b>
<b>2 Normative references</b> .....	<b>1</b>
<b>3 Terms and definitions</b> .....	<b>1</b>
<b>4 Types and basic parameters</b> .....	<b>1</b>
4.1 Dee shackles.....	1
4.2 Bow shackles.....	1
4.3 Pins of shackles.....	1
4.4 Pinholes of shackles.....	1
4.5 Designation method of models.....	1
<b>5 Technical requirements</b> .....	<b>2</b>
5.1 Materials.....	2
5.2 Forging and heat treatment.....	3
5.3 Surface and internal quality of shackles.....	3
5.4 Test.....	3
5.5 Inspection.....	4
5.6 Other requirements.....	4
<b>6 Marking</b> .....	<b>4</b>
<b>7 Storage and transportation</b> .....	<b>4</b>
<b>8 Use and maintenance</b> .....	<b>5</b>
<b>Annex A (informative) Types and basic parameters of shackles</b> .....	<b>6</b>

## Foreword

ISO (the International Organization for Standardization) is a worldwide federation of national standards bodies (ISO member bodies). The work of preparing International Standards is normally carried out through ISO technical committees. Each member body interested in a subject for which a technical committee has been established has the right to be represented on that committee. International organizations, governmental and non-governmental, in liaison with ISO, also take part in the work. ISO collaborates closely with the International Electrotechnical Commission (IEC) on all matters of electrotechnical standardization.

The procedures used to develop this document and those intended for its further maintenance are described in the ISO/IEC Directives, Part 1. In particular the different approval criteria needed for the different types of ISO documents should be noted. This document was drafted in accordance with the editorial rules of the ISO/IEC Directives, Part 2 (see [www.iso.org/directives](http://www.iso.org/directives)).

Attention is drawn to the possibility that some of the elements of this document may be the subject of patent rights. ISO shall not be held responsible for identifying any or all such patent rights. Details of any patent rights identified during the development of the document will be in the Introduction and/or on the ISO list of patent declarations received (see [www.iso.org/patents](http://www.iso.org/patents)).

Any trade name used in this document is information given for the convenience of users and does not constitute an endorsement.

For an explanation on the meaning of ISO specific terms and expressions related to conformity assessment, as well as information about ISO's adherence to the WTO principles in the Technical Barriers to Trade (TBT) see the following URL: Foreword - Supplementary information

The committee responsible for this document is ISO/TC 8, *Ships and marine technology*, Subcommittee SC 4, *Outfitting and deck machinery*.

# Ships and marine technology — Loose gear of lifting appliances on ships — Shackles

## 1 Scope

This International Standard specifies the types and basic parameters, technical requirements, marking, storage, and transportation, use and maintenance of shackles, loose gear of lifting appliances on ships.

This International Standard is applicable to lifting appliances on ships.

## 2 Normative references

The following documents, in whole or in part, are normatively referenced in this document and are indispensable for its application. For dated references, only the edition cited applies. For undated references, the latest edition of the referenced document (including any amendments) applies.

ISO 261, *ISO general purpose metric screw threads — General plan*

ISO 2415, *Forged shackles for general lifting purposes — Dee shackles and bow shackles*

ISO 16855, *Ships and marine technology — Loose gear of lifting appliances on ships — General requirements*

## 3 Terms and definitions

For the purposes of this document, the terms and definitions given in ISO 2415 and ISO 16855 apply.

## 4 Types and basic parameters

### 4.1 Dee shackles

For the shapes and dimensions of Dee shackles, see [A.1](#).

### 4.2 Bow shackles

For the shapes and dimensions of Bow shackles, see [A.2](#).

### 4.3 Pins of shackles

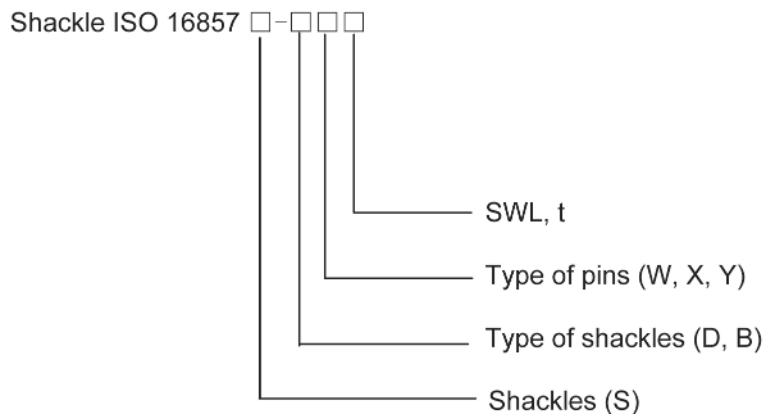
For the types of pins of shackles (Type W, Type X, and Type Y), see [A.3](#).

### 4.4 Pinholes of shackles

For the diameters of pinholes of shackles, see [A.4](#).

### 4.5 Designation method of models

The model of shackles shall be designated as follows:



**Figure 1 — Example**

EXAMPLE 1 Dee shackles with Type W pins and 20 t SWL:

**Shackle ISO 16857 S-DW20**

EXAMPLE 2 Bow shackles with Type X pins and 10 t SWL:

**Shackle ISO 16857 S-BX20**

## 5 Technical requirements

### 5.1 Materials

5.1.1 Shackle materials shall use solid steel manufactured by Martin furnaces, electric furnaces, or oxygen top blown converters; it is recommended to use the electroslag remelting process.

5.1.2 For the chemical composition of shackle materials, see [Table 1](#). Other materials can be used (see [5.6](#)).

**Table 1 — Chemical composition of shackle materials**

Materials	Chemical composition (heat analysis)						
	%						
	C	Si	Mn	P	S	Cr	Al
Carbon steel	0,17–0,24	0,17–0,35	0,45–0,80	≤0,035	≤0,035	≤0,030	≥0,025
Carbon-manganese steel	0,17–0,24	0,20–0,35	1,20–1,50	≤0,035	≤0,035	≤0,030	≥0,025

5.1.3 For the mechanical properties of shackle materials, see [Table 2](#). Other mechanical properties can be used (see [5.6](#)).



**Table 2 — Mechanical properties of shackle materials**

Materials	Mechanical properties						
	Tensile strength $R_m$ MPa	Yield point $R_{eH}$ MPa			Elongation $A$ %	Impact energy $A_K$ J	
	Diameters or thicknesses of steel mm						
	≤100	≤16	>16–40	>40–60	≤50	≤100	≤60
Carbon steel	402–490	255	245	235	–	22	48
Carbon-manganese steel	510–608	353	343	333	22	–	41

NOTE 1 The values listed in the table refer to mechanical properties at normal temperature.

NOTE 2 For diameters or thicknesses >60 mm, the impact energy and yield point under strain aging conditions are determined by the supplier and purchaser based on demand.

NOTE 3 If materials have no obvious yield points, the yield point  $R_{eH}$  shall be the yield strength  $R_{p0,2}$ .

**5.1.4** When the design temperature of lifting appliances on ships is below  $-10^{\circ}\text{C}$ , the impact energy test temperature of shackle materials shall satisfy the requirements of related certification organizations, such as classification societies.

## 5.2 Forging and heat treatment

**5.2.1** Shackle bodies need to be forged with seamless solid blanks, and two pinholes shall be coaxial and concentric with two outsides of eyes; pins shall be cut from bars, and machined after forging.

**5.2.2** Heat treatment shall be made after shackle forging to achieve the properties specified in 5.1, with no more than three times of heat treatment.

## 5.3 Surface and internal quality of shackles

**5.3.1** The surface of shackles shall be smooth and clean, without any defect such as burrs, cracks, folding, and burning.

**5.3.2** Defects in shackles cannot be rewelded.

**5.3.3** Shoulders or heads of pins (Type W and Type Y) after assembly shall fit into the bodies. When thread pins are screwed up, visible residual threads between dimensions of shackles ( $W$ ) shall not be more than 1 pitch. After the correct assembly of pins, in no case shall the inner width ( $W$ ) of the bodies be obviously reduced.

**5.3.4** Threads shall meet the requirements of ISO 261, and the fit accuracy of threads is 6g/6H.

## 5.4 Test

**5.4.1** Each shackle shall be proof-tested, with test loads given in Table 3. Proof load shall be applied to each shackle with a testing machine or test weight for a duration of not less than 5 min.

**Table 3 — Proof load for shackles**

Safe working load (SWL) kN	Proof load (PL) kN
≤245	2 × SWL
>245	1,22 × SWL + 196

**5.4.2** After proof testing, each shackle shall be thoroughly examined for deformation, cracks, or other defects and to ensure that its rotating parts can rotate freely. Increment of the body length (*S*) or length increment measured from the mark between the crown and pin shall not exceed 0,25 % thereof or 0,5mm, whichever is greater.

**5.4.3** When shackles of various specifications are manufactured for the first time or upon the request of related organizations, such as classification societies, static strength tests shall be carried out for shackles, the ultimate strength load during the test is four times the safe working load. After 5 min of the static strength test, shackles shall not break or deform to the extent that they lose the bearing capacity.

## 5.5 Inspection

**5.5.1** Inspection shall be made after the production of shackles, to ensure that surface and internal quality satisfies the requirements in 5.3 and the requirements in 5.4.2 after the test.

**5.5.2** For shackles that pass the test, the manufacturer shall provide technical documents such as certifications.

## 5.6 Other requirements

For other shackles (type or SWL, materials), strength shall be calculated during the design and the result should meet the test requirements in 5.4.3. Commercially available forged shackles that meet industry standards in terms of SWL, design factor, forging reduction, heat treatment, bolt threading, testing, and inspection are acceptable as agreed upon by the supplier and the purchaser.

## 6 Marking

**6.1** Marking of shackles shall be permanently distinct with the following items:

- a) safe working load, in t;
- b) test date;
- c) shackle number;
- d) manufacturer's stamp or the stamp of test unit.

**6.2** Marks shall be stamped at the shackle bodies near the pinholes to facilitate check.

**6.3** For the shackles of small size, should the place where marking is restricted, the marks of number and date can be eliminated.

## 7 Storage and transportation

**7.1** During storage, the machined surfaces of shackles that pass the test shall be painted with anti-rust oil, and their non-machined surfaces shall be painted with anti-rust paint.

7.2 Secure package shall be made for shackles to prevent collision during transportation.

## 8 Use and maintenance

8.1 Upon installation on the lifting appliances, shackles shall be checked before each use, with major check items as follows:

- a) wear;
- b) normal operation of moving parts;
- c) no abnormal conditions such as loose pins and nuts or defects;
- d) there is no crack, scratch, heat damage, including welding slag, or arc striking mark in shackle bodies.

8.2 Shackle defects found during check shall be repaired and cannot be used until confirmation by experienced personnel. Shackles shall be scrapped under the following circumstances.

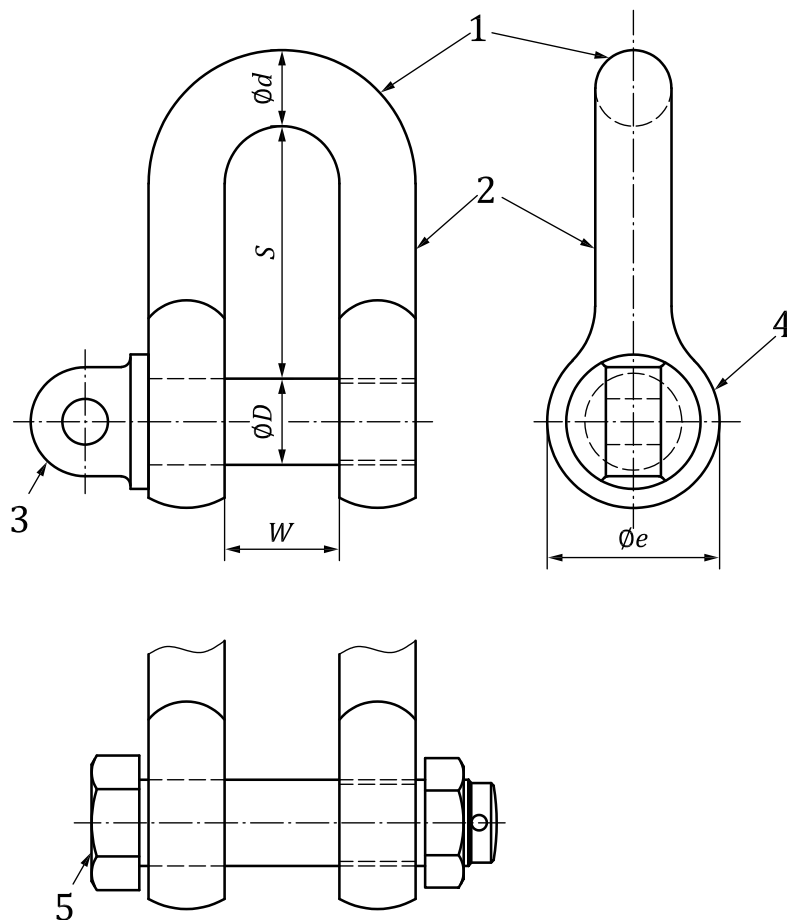
- a) There are defects in shackles, such as crack, heat damage, including welding slag, or arc striking mark, which prevent them from use.
- b) The diameter dimension of the worn moving part reaches 10 % of the total diameter dimension. The length dimension of corroded thread reaches 15 % of its total length dimension.

## Annex A (informative)

### Types and basic parameters of shackles

#### A.1 Dee shackles

For the shapes and dimensions of Dee shackles, see [Figure A.1](#) and [Table A.1](#).



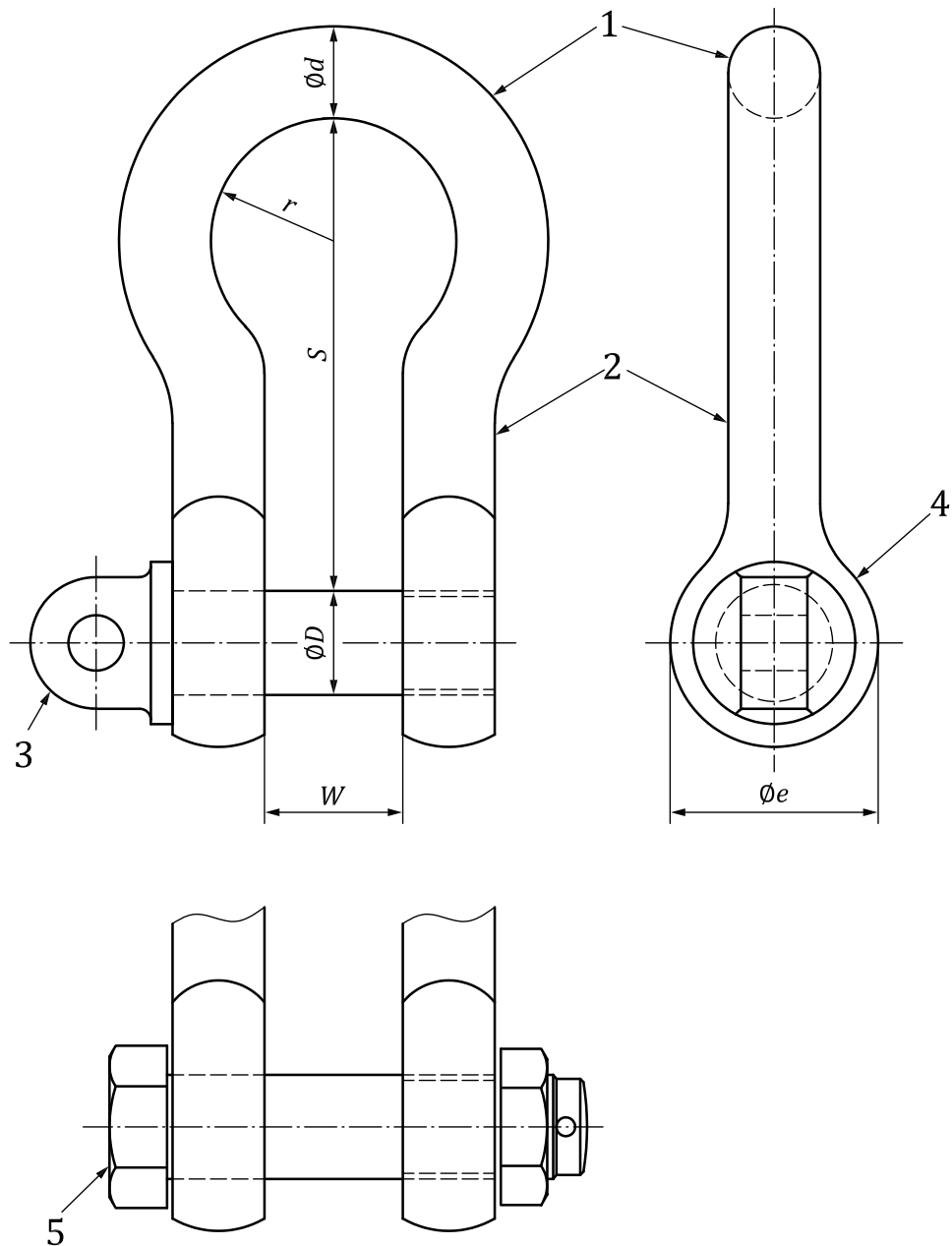
#### Key

- 1 crown
- 2 body
- 3 Type W pin
- 4 eye
- 5 Type X pin (or round)

Figure A.1 — Shapes of Dee shackles

#### A.2 Bow shackles

For the shapes and dimensions of Bow shackles, see [Figure A.2](#) and [Table A.2](#).



**Key**

- 1 crown
- 2 body
- 3 Type W pin
- 4 eye
- 5 Type X pin (or round)

**Figure A.2 — Shapes of Bow shackles**

**Table A.1 — Dimensions of Dee shackles**

Safe working load (SWL)	$d$ max	$D$ max	$e$ max	$s$ min	$W$ min
t	mm				
1	14	16	35,5	31,5	16

**Table A.1 (continued)**

Safe working load (SWL)	$d$ max	$D$ max	$e$ max	$S$ min	$W$ min
2	20	22,4	49,28	45	22,4
3,2	25	28	61,8	56	28
5	31,5	35,5	78,1	71	35,5
8	40	45	99	90	45
10	45	50	110	100	50
12,5	50	56	1 233,2	112	56
16	56	63	138,6	125	63
20	63	71	156,2	140	71
25	71	80	178	160	80
32	80	90	198	180	90
40	90	100	220	200	100
50	100	112	246,4	224	112
63	112	125	275	250	125
80	125	140	308	280	140
100	140	160	352	315	160

**Table A.2 — Dimensions of Bow shackles**

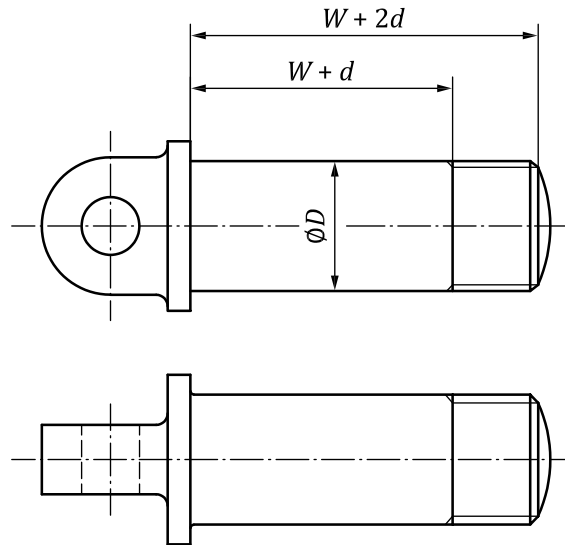
Safe working load (SWL)	$d$ max	$D$ max	$e$ max	$2r$ min	$S$ min	$W$ min
t	mm					
1	16	18	38,6	28	40	18
2	22,4	25	55	40	56	25
3,2	28	31,5	69,3	50	71	31,5
5	35,5	40	88	63	90	40
8	45	50	110	80	112	50
10	50	56	123,2	90	125	56
12,5	56	63	138,6	100	140	63
16	63	71	156,2	112	160	71
20	71	80	176	125	180	80
25	80	90	198	140	200	90
32	90	100	220	160	224	100
40	100	112	246,4	180	250	112
50	112	125	275	200	280	125
63	125	140	308	224	315	140
80	140	160	352	224	355	160
100	160	180	396	280	400	180

### A.3 Pins of shackles

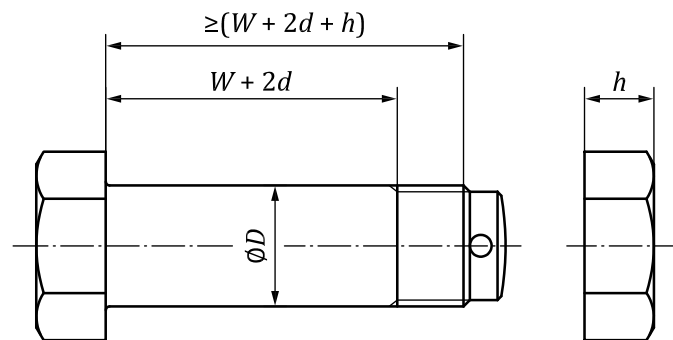
Type W: screwed with eye and collar.

Type X: bolt with hexagon or round head, hexagon nut, and split cotter pin.

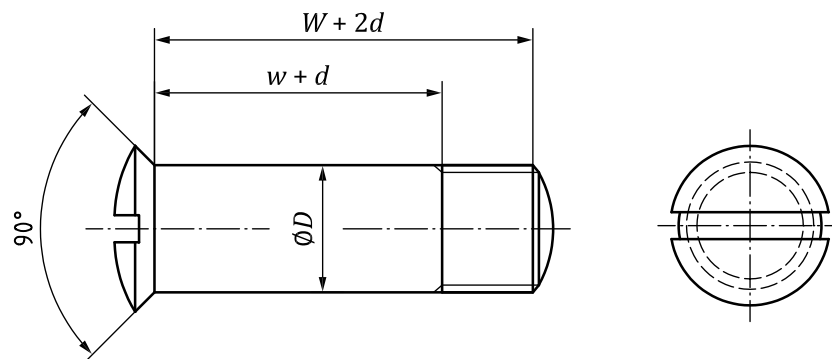
Type Y: countersunk and slotted head.



a) Type W: screwed with eye and collar



b) Type X: bolt with hexagon or round head, hexagon nut, and split cotter pin



c) Type Y: countersunk and slotted head

Figure A.3 — Types of pins of shackles

#### A.4 Diameters of pinholes of shackles

Diameters of pinholes of shackles shall not exceed the following values.

- For  $D \leq 20$  mm, the hole diameter is  $(D + 1)$  mm.
- For  $20 \text{ mm} < D \leq 45$  mm, the hole diameter is  $(D + 1,5)$  mm.
- For  $D > 45$  mm, the hole diameter is  $(D + 2)$  mm.







# British Standards Institution (BSI)

BSI is the national body responsible for preparing British Standards and other standards-related publications, information and services.

BSI is incorporated by Royal Charter. British Standards and other standardization products are published by BSI Standards Limited.

## About us

We bring together business, industry, government, consumers, innovators and others to shape their combined experience and expertise into standards-based solutions.

The knowledge embodied in our standards has been carefully assembled in a dependable format and refined through our open consultation process. Organizations of all sizes and across all sectors choose standards to help them achieve their goals.

## Information on standards

We can provide you with the knowledge that your organization needs to succeed. Find out more about British Standards by visiting our website at [bsigroup.com/standards](http://bsigroup.com/standards) or contacting our Customer Services team or Knowledge Centre.

## Buying standards

You can buy and download PDF versions of BSI publications, including British and adopted European and international standards, through our website at [bsigroup.com/shop](http://bsigroup.com/shop), where hard copies can also be purchased.

If you need international and foreign standards from other Standards Development Organizations, hard copies can be ordered from our Customer Services team.

## Subscriptions

Our range of subscription services are designed to make using standards easier for you. For further information on our subscription products go to [bsigroup.com/subscriptions](http://bsigroup.com/subscriptions).

With **British Standards Online (BSOL)** you'll have instant access to over 55,000 British and adopted European and international standards from your desktop. It's available 24/7 and is refreshed daily so you'll always be up to date.

You can keep in touch with standards developments and receive substantial discounts on the purchase price of standards, both in single copy and subscription format, by becoming a **BSI Subscribing Member**.

**PLUS** is an updating service exclusive to BSI Subscribing Members. You will automatically receive the latest hard copy of your standards when they're revised or replaced.

To find out more about becoming a BSI Subscribing Member and the benefits of membership, please visit [bsigroup.com/shop](http://bsigroup.com/shop).

With a **Multi-User Network Licence (MUNL)** you are able to host standards publications on your intranet. Licences can cover as few or as many users as you wish. With updates supplied as soon as they're available, you can be sure your documentation is current. For further information, email [bsmusales@bsigroup.com](mailto:bsmusales@bsigroup.com).

## BSI Group Headquarters

389 Chiswick High Road London W4 4AL UK

## Revisions

Our British Standards and other publications are updated by amendment or revision.

We continually improve the quality of our products and services to benefit your business. If you find an inaccuracy or ambiguity within a British Standard or other BSI publication please inform the Knowledge Centre.

## Copyright

All the data, software and documentation set out in all British Standards and other BSI publications are the property of and copyrighted by BSI, or some person or entity that owns copyright in the information used (such as the international standardization bodies) and has formally licensed such information to BSI for commercial publication and use. Except as permitted under the Copyright, Designs and Patents Act 1988 no extract may be reproduced, stored in a retrieval system or transmitted in any form or by any means – electronic, photocopying, recording or otherwise – without prior written permission from BSI. Details and advice can be obtained from the Copyright & Licensing Department.

## Useful Contacts:

### Customer Services

**Tel:** +44 845 086 9001

**Email (orders):** [orders@bsigroup.com](mailto:orders@bsigroup.com)

**Email (enquiries):** [cservices@bsigroup.com](mailto:cservices@bsigroup.com)

### Subscriptions

**Tel:** +44 845 086 9001

**Email:** [subscriptions@bsigroup.com](mailto:subscriptions@bsigroup.com)

### Knowledge Centre

**Tel:** +44 20 8996 7004

**Email:** [knowledgecentre@bsigroup.com](mailto:knowledgecentre@bsigroup.com)

### Copyright & Licensing

**Tel:** +44 20 8996 7070

**Email:** [copyright@bsigroup.com](mailto:copyright@bsigroup.com)



...making excellence a habit.™