

BS ISO 16589-4:2011



BSI Standards Publication

Rotary shaft lip-type seals incorporating thermoplastic sealing elements

Part 4: Performance test procedures

bsi.

...making excellence a habit.™

National foreword

This British Standard is the UK implementation of ISO 16589-4:2011. It supersedes BS ISO 16589-4:2001 which is withdrawn.

The UK participation in its preparation was entrusted to Technical Committee MCE/11, Fluid seals and their housings.

A list of organizations represented on this committee can be obtained on request to its secretary.

This publication does not purport to include all the necessary provisions of a contract. Users are responsible for its correct application.

© The British Standards Institution 2012. Published by BSI Standards Limited 2012

ISBN 978 0 580 68018 2

ICS 23.100.60; 83.140.50

Compliance with a British Standard cannot confer immunity from legal obligations.

This British Standard was published under the authority of the Standards Policy and Strategy Committee on 31 March 2012.

Amendments issued since publication

Date	Text affected
------	---------------

**Rotary shaft lip-type seals incorporating
thermoplastic sealing elements**

**Part 4:
Performance test procedures**

*Bagues d'étanchéité à lèvres pour arbres tournants incorporant des
éléments d'étanchéité thermoplastiques —*

Partie 4: Modes opératoires des essais de performance





COPYRIGHT PROTECTED DOCUMENT

© ISO 2011

All rights reserved. Unless otherwise specified, no part of this publication may be reproduced or utilized in any form or by any means, electronic or mechanical, including photocopying and microfilm, without permission in writing from either ISO at the address below or ISO's member body in the country of the requester.

ISO copyright office
Case postale 56 • CH-1211 Geneva 20
Tel. + 41 22 749 01 11
Fax + 41 22 749 09 47
E-mail copyright@iso.org
Web www.iso.org

Published in Switzerland

Contents

Page

Foreword	iv
Introduction.....	v
1 Scope	1
2 Normative references	1
3 Terms and definitions	2
4 Pre-test procedure.....	2
5 Dynamic normal temperature test	2
5.1 Test apparatus	2
5.2 Installation.....	4
5.3 Test conditions	5
5.4 Test procedure.....	5
5.5 Post-test measurements.....	5
5.6 Recording.....	5
5.7 Acceptance criteria	5
6 Dynamic low temperature test	5
6.1 General	5
6.2 Test apparatus	5
6.3 Installation.....	6
6.4 Test procedure.....	6
6.5 Post-test measurements.....	7
6.6 Recording.....	7
6.7 Acceptance criteria	7
7 Material testing of the rotary shaft seal components	7
7.1 General	7
7.2 Metallic components (cases)	7
7.3 Non-metallic components.....	7
7.3.1 Thermoplastic sealing elements.....	7
7.3.2 Elastomeric sealing elements — gaskets, protection lip and sealant.....	7
8 Identification statement (Reference to this part of ISO 16589).....	7
Annex A (informative) Typical example of seal test report for the dynamic normal temperature test	8
Annex B (informative) Typical example of a seal test report for the dynamic low temperature test	10
Annex C (informative) Typical example of a material test report (thermoplastic element).....	12
Annex D (informative) Typical example of a material test report (elastomeric element)	13
Bibliography.....	15

Foreword

ISO (the International Organization for Standardization) is a worldwide federation of national standards bodies (ISO member bodies). The work of preparing International Standards is normally carried out through ISO technical committees. Each member body interested in a subject for which a technical committee has been established has the right to be represented on that committee. International organizations, governmental and non-governmental, in liaison with ISO, also take part in the work. ISO collaborates closely with the International Electrotechnical Commission (IEC) on all matters of electrotechnical standardization.

International Standards are drafted in accordance with the rules given in the ISO/IEC Directives, Part 2.

The main task of technical committees is to prepare International Standards. Draft International Standards adopted by the technical committees are circulated to the member bodies for voting. Publication as an International Standard requires approval by at least 75 % of the member bodies casting a vote.

Attention is drawn to the possibility that some of the elements of this document may be the subject of patent rights. ISO shall not be held responsible for identifying any or all such patent rights.

ISO 16589-4 was prepared by Technical Committee ISO/TC 131, *Fluid power systems*, Subcommittee SC 7, *Sealing devices*.

This second edition cancels and replaces the first edition (ISO 16589-4:2001), which has been technically revised.

ISO 16589 consists of the following parts, under the general title *Rotary shaft lip-type seals incorporating thermoplastic sealing elements*:

- *Part 1: Nominal dimensions and tolerances*
- *Part 2: Vocabulary*
- *Part 3: Storage, handling and installation*
- *Part 4: Performance test procedures*
- *Part 5: Identification of visual imperfections*

Introduction

Rotary shaft lip-type seals are used to retain fluid in equipment where the differential pressure is relatively low. Typically, the shaft rotates and the housing is stationary, although in some applications the shaft is stationary and the housing rotates.

Dynamic sealing is normally the result of a designed interference fit between the shaft and a flexible element incorporated in the seal.

Similarly, a designed interference fit between the outside diameter of the seal and the diameter of the housing bore retains the seal and prevents static leakage.

Careful storage and handling and proper installation of all seals are necessary to avoid hazards, both prior to and during installation, which would adversely affect service life.

Rotary shaft lip-type seals incorporating thermoplastic sealing elements —

Part 4: Performance test procedures

WARNING — Persons using this part of ISO 16589 should be familiar with normal laboratory practice. Whilst this part of ISO 16589 does not purport to address all the safety problems, if any, associated with its application, attention is drawn to the need to employ sensible precautions while handling hot and cold fluids and equipment. It is the responsibility of the user of this part of ISO 16589 to establish appropriate safety and health practices and to ensure compliance with any national regulatory conditions.

1 Scope

ISO 16589 specifies seals utilizing sealing elements manufactured from suitably formulated compounds based on thermoplastic materials, such as polytetrafluoroethylene (PTFE). They are considered suitable for use under low pressure conditions.

This part of ISO 16589 specifies general performance tests which can be used for seal qualification purposes. Materials quality control, dynamic testing, and supplementary low temperature testing requirements are covered.

NOTE ISO 16589 is complementary to ISO 6194, which covers seals incorporating elastomeric sealing elements.

2 Normative references

The following referenced documents are indispensable for the application of this document. For dated references, only the edition cited applies. For undated references, the latest edition of the referenced document (including any amendments) applies.

ISO 5598, *Fluid power systems and components — Vocabulary*

ISO 16589-1, *Rotary shaft lip-type seals incorporating thermoplastic sealing elements — Part 1: Nominal dimensions and tolerances*

ISO 16589-2, *Rotary shaft lip-type seals incorporating thermoplastic sealing elements — Part 2: Vocabulary*

3 Terms and definitions

For the purposes of this document, the terms and definitions given in ISO 5598 and ISO 16589-2 and the following apply.

3.1 batch
identifiable and traceable consignment of thermoplastic and rubber compounds of definite composition and manufactured in a single production operation

4 Pre-test procedure

4.1 Inspect all seals submitted for testing, for conformity to a relevant drawing or detailed specification, declared by the seal manufacturer.

4.2 Ensure that the seal manufacturer has stated the material batch numbers from which the seals have been manufactured. For seals with an elastomeric component, ensure that the seal manufacturer has stated the material batch number from which the elastomeric component of the seal has been made.

4.3 To facilitate accurate analysis of the test results, determine the following data concerning the physical characteristics of the seal and test apparatus before testing:

- a) lip diameter immediately prior to assembly onto the shaft;
- b) lip thickness when measured as assembled on the test shaft;
- c) outer case mean diameter and out of roundness;
- d) shaft diameter, material, hardness and surface roughness;
- e) housing diameter, material and surface roughness;
- f) protection lip diameter, when applicable.

For a), b) and f), measuring instruments with sharp edges should not be used.

The radial lip load should not be measured before the test.

4.4 Ensure that the specified shaft eccentricity and housing offset of the test apparatus have been incorporated.

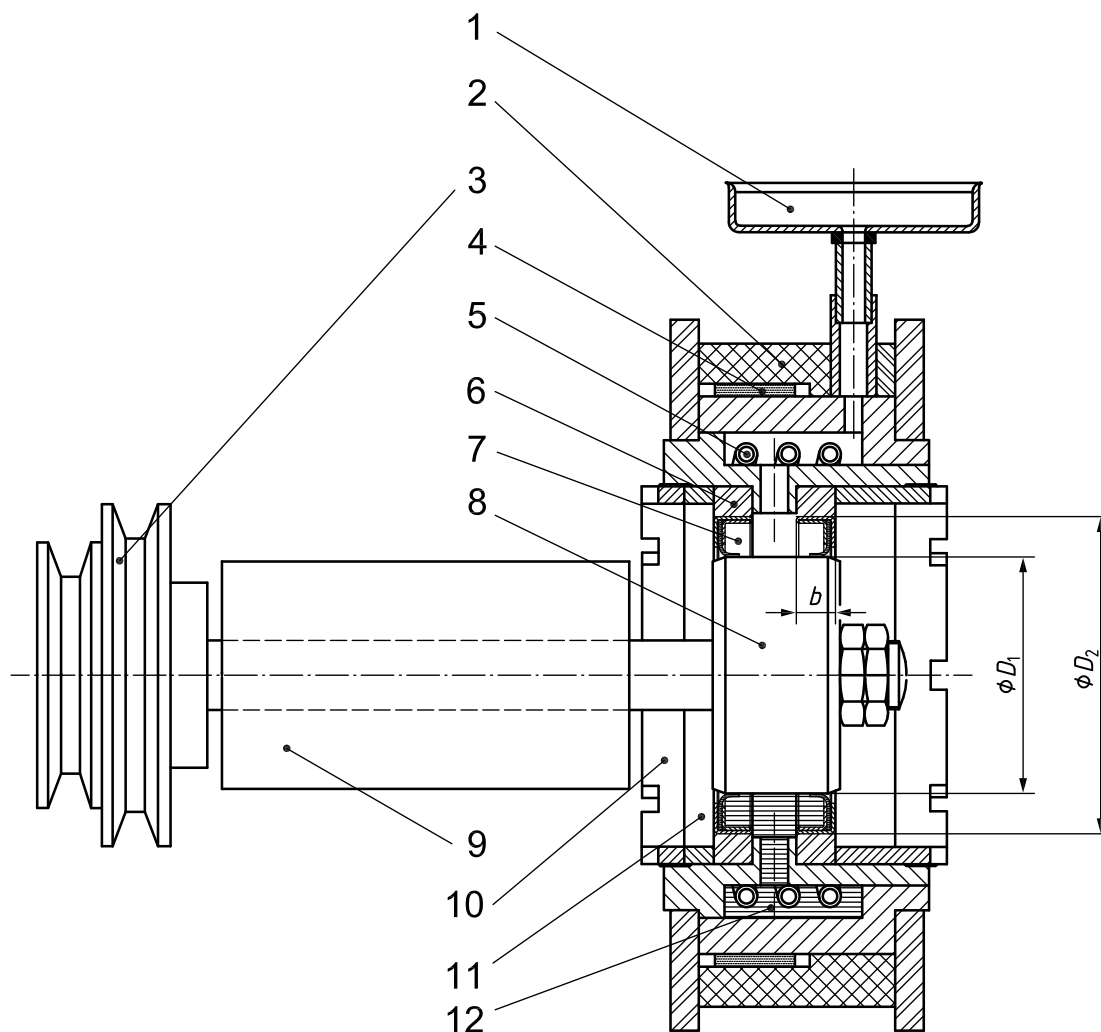
5 Dynamic normal temperature test

5.1 Test apparatus

The test apparatus shall be similar to the typical example shown in Figure 1 and shall consist of a suitable housing for retaining the test fluid and for positioning the test seals, as well as a rotating member having a spindle mounted horizontally on suitable bearings. The design of the housing for the seal shall be in accordance with the dimensions specified in ISO 16589-1. The housing and the rotating member shall be capable of reproducing the eccentricity and offset referred to in 4.4.

The test apparatus shall also conform to the following additional requirements.

- a) The shaft shall be capable of cycling and/or maintaining the shaft speeds to within ± 5 %.
- b) The shaft shall be capable of maintaining the specified test eccentricity under dynamic conditions to within $\pm 0,03$ mm throughout each test.
- c) The test head shall be designed and constructed so as to maintain the housing bore alignment relative to the test shaft axis within $\pm 0,03$ mm throughout the operating temperature range.
- d) The design of the test head support shall ensure minimum deformation and vibration.
- e) The test head and heat transfer system shall be capable of maintaining the temperature of the test fluid within ± 5 °C and shall be vented to atmosphere.
- f) Heat shall be applied in a manner that does not subject the test fluid to high localized temperatures which could cause fluid decomposition.
- g) The test shaft shall have a surface which is free of helical machine marks and shall comply with the requirements for shafts specified in ISO 16589-1, Clause 7.
- h) The test housing bore shall comply with the requirements specified in ISO 16589-1, Clause 8.
- i) The material properties — including hardness, surface finish and dimensions of the test shaft and test housing bore — shall conform as closely as possible to the shaft and housing bore to be used in service.
- j) A minimum quantity of 750 cm^3 of test fluid shall be used.
- k) The level of the test fluid in the test head shall be $0,3 D_1$ to $0,5 D_1$ above the lowest point of the shaft diameter D_1 .
- l) Where the seal housings have inboard bearings, the test housing shall be suitably relieved at the bearing supports to prevent excessive fluid pressure between the bearing and seals.
- m) Means shall be provided for collecting and measuring the mass of any fluid leakage from the seals during the test.
- n) The test head shall have a device capable of pressurizing the seal housing to the working pressure.
- o) A liquid level measuring device shall be provided on the test head.



Key

- | | | | |
|---|------------------------|----|-------------------|
| 1 | filler tray | 7 | test seal |
| 2 | insulation | 8 | test shaft |
| 3 | drive from prime mover | 9 | test head support |
| 4 | heater band | 10 | locking ring |
| 5 | cooling coil | 11 | spacer ring |
| 6 | seal housing | 12 | test fluid |

b nominal seal width

D_1 nominal diameter of the shaft to be used with the seal

D_2 nominal diameter of the housing bore or seal outside diameter

Figure 1 — Typical example of dynamic normal temperature test apparatus

5.2 Installation

5.2.1 Thoroughly clean the test head of contaminants and extraneous matter.

5.2.2 Install the seals into the test head so that the cumulative eccentricities of the seals and the test head are known.

5.2.3 Ensure that the plane of the seal lip is perpendicular to the shaft axis, unless otherwise specified.

5.2.4 Locate the test shaft in such a position that a clean unused area of its surface is in contact with the sealing element of the test seal.

5.2.5 Introduce the test fluid, which should be identical to the service fluid, through the filler tray as shown in Figure 1.

5.2.6 If the viscosity of the test fluid is too high to flow out of the filler tray of its own accord, remove the filler tray shown in Figure 1 and replace with an adapter incorporating a grease nipple. Pump the requisite volume of test fluid through the nipple using a grease gun. Remove the grease nipple prior to the start up, thus preventing over pressurization of the seals. Replace filler tray.

5.3 Test conditions

Apply test conditions which simulate the seal application operating conditions, as agreed between the purchaser and supplier, i.e. normal operating temperature, normal operating shaft speed, maximum envisaged operating temperature, and maximum envisaged shaft speed.

5.4 Test procedure

Submit six seals to ten cycles, each of 24 h duration, consisting of 14 h at normal operating temperature and speed, according to service conditions, and 6 h at the maximum envisaged operating temperature and speed, followed by a 4 h shut-down to allow the test machine to cool to room temperature. If applicable, each alternate cycle shall be in the reverse direction of rotation.

5.5 Post-test measurements

After completion of the test, determine the seal thickness profile, i.e. when measured on a mandrel and where applicable, the protection lip diameter.

5.6 Recording

Record all the test data on a seal test report.

NOTE An example of a seal test report for the dynamic test is shown in Annex A.

5.7 Acceptance criteria

Typically, the leakage from all six seals shall not be greater than 12 cm³ and the leakage from any single seal shall be not greater than 3 cm³.

Since leakage is dependent on the application and on the design of the seal, the allowable leakage should be agreed between the purchaser and manufacturer.

6 Dynamic low temperature test

6.1 General

This test is applicable to all rotary shaft lip-type seals for which the minimum specified operating temperature is stated to be -10 °C or lower.

6.2 Test apparatus

The test apparatus shall be similar to the typical example shown in Figure 2.

The test shaft and seal housing shall simulate the envisaged maximum eccentricities specified by the customer. The test shaft diameter, the test shaft surface roughness and seal housing dimensions shall also be those specified by the customer or as specified in ISO 16589-1.

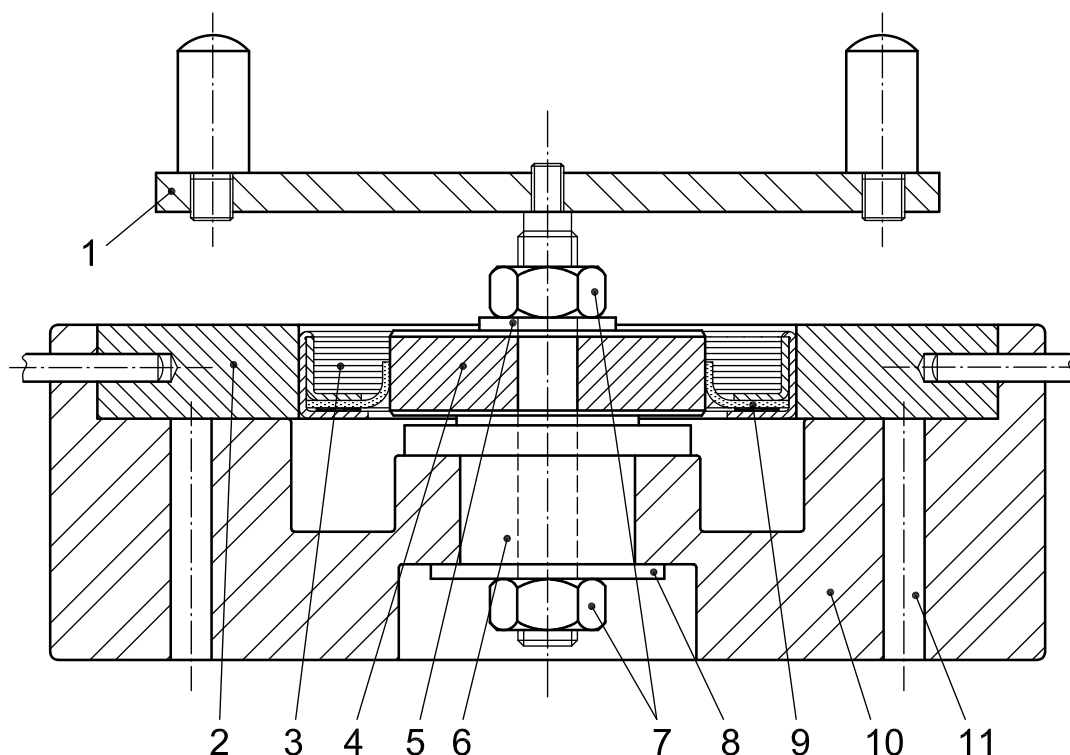
6.3 Installation

The requirements of 5.2.1, 5.2.2 and 5.2.3 apply.

6.4 Test procedure

Submit two seals to the following procedure.

- a) Correctly locate the seal in the test fixture.
- b) Fill the test fixture with the test fluid to submerge the wetted side of the seal lip.
- c) Place the test fixture in a cold box and soak for 16 h at the minimum temperature specified by the customer.
- d) With the test fixture still in the cold box, rotate the shaft 10 revolutions by hand at an approximate rotational frequency of 60 min^{-1} , pausing once every 180° .
- e) Remove the test fixture from the cold box and allow to stand at room temperature for a minimum period of 6 h.
- f) Remove the seal from the test fixture.



Key

- | | | | |
|---|--------------|----|---|
| 1 | handle | 7 | plain hexagonal nut |
| 2 | seal housing | 8 | washer |
| 3 | test fluid | 9 | test seal |
| 4 | test shaft | 10 | base |
| 5 | washer | 11 | holes to locate with pins in base plate of refrigeration unit |
| 6 | spigot | | |

Figure 2 — Typical example of low temperature test fixture

6.5 Post-test measurements

Inspect for any leakage that has occurred during the test, and visually inspect the seal lip, noting any cracks, tears, splits or imperfections that have appeared as a result of the test.

6.6 Recording

Record all test data on a seal test report.

NOTE An example of a seal test report for the dynamic low temperature test is shown in Annex B.

6.7 Acceptance criteria

There shall be no visible damage to the lip and there shall be no leakage greater than that specified by the customer.

7 Material testing of the rotary shaft seal components

7.1 General

Quality control tests shall be carried out on all batches of material from which the test seals are manufactured, when applicable and required by the customer. In order to ensure that the materials used for production seals do not vary significantly from those of the test seals, subsequent production batches might need to be tested, subject to agreement between the purchaser and manufacturer.

7.2 Metallic components (cases)

The type of material (e.g. steel, aluminium) from which the cases or housings are manufactured shall be recorded, together with its specification batch number and, if applicable, heat treatment. This will establish the physical characteristics of the metal cases. Additional information shall be quoted if applicable and required by the purchaser.

7.3 Non-metallic components

7.3.1 Thermoplastic sealing elements

Thermoplastic sealing elements are usually manufactured from polytetrafluoroethylene (PTFE) compounded with suitable fillers. The type of filler, if required, should be specified together with the supplier's reference. This should be stated together with the physical properties relevant to the compound.

7.3.2 Elastomeric sealing elements — gaskets, protection lip and sealant

The material(s) from which the internal and/or outside sealing gaskets, protection lip and any additional sealants have been manufactured shall be stated together with any physical and compatibility characteristics considered relevant.

8 Identification statement (Reference to this part of ISO 16589)

Manufacturers should use the following statement in test reports, catalogues and sales literature when electing to comply with this part of ISO 16589:

“The performance test procedures described in this document are in accordance with ISO 16589-4, *Rotary shaft lip-type seals incorporating thermoplastic sealing elements — Part 4: Performance test procedures.*”

Annex A (informative)

Typical example of seal test report for the dynamic normal temperature test

A.1 General data

Test report reference:

Seal drawing reference or specification:

Seal type:

A.2 Pre-test measurements

Test seal no.						
Seal lip thickness (when measured prior to assembly)		mm				
Seal outer case	mean diameter:	mm				
	out of roundness:	mm				
Protection lip (where applicable)	mean diameter:	mm				

A.3 Test conditions

Test fluid:	Description:	
	Normal operating temperature: °C	ISO viscosity grade:
	Maximum operating temperature: °C	ISO classification:

Shaft:	Diameter:	mm	Material:	
	Hardness:	Rockwell C	Surface roughness, <i>Ra</i> : μm and <i>Rz</i> : μm	
	Eccentricity:	mm	Normal operating speed:	min ⁻¹
			Maximum operating speed:	min ⁻¹

Housing:	Diameter:	mm	Material:
	Offset:	mm	Surface roughness, <i>Ra</i> : μm and <i>Rz</i> : μm

Test cycle (if different from that specified in 5.4)

A.4 Post-test measurements

Test seal no.						
Seal lip thickness		mm				
(when measured after removal from test fixture)						
Protection lip (where applicable)	mean diameter:		mm			

A.5 Test results

Test seal no.							All seals:
Leakage: cm ³							Total: cm ³

Comments on seal condition, before and after test:

A.6 Comments

Comments on seal condition, before and after test:

Annex B (informative)

Typical example of a seal test report for the dynamic low temperature test

B.1 General data

Test report reference:

Seal drawing reference or specification:

Seal type:

B.2 Pre-test measurements

Test seal no.						
Seal lip thickness (when measured prior to assembly)		mm				
Seal outer case	mean diameter:	mm				
	out of roundness:	mm				
Protection lip (where applicable)	mean diameter:	mm				

B.3 Test conditions

Test fluid:	Description:				
	Normal operating temperature: °C		ISO viscosity grade:		
	Maximum operating temperature: °C		ISO classification:		

Shaft:	Diameter: mm		Material:		
	Hardness: Rockwell C		Surface roughness, <i>Ra</i> : μm		
			and <i>Rz</i> : μm		
	Eccentricity: mm		Normal operating speed: min ⁻¹		
		Maximum operating speed: min ⁻¹			

Housing:	Diameter:	mm	Material:	
	Offset:	mm	Surface roughness, <i>Ra</i> : and <i>Rz</i> :	μm μm

Test cycle

B.4 Test results

Test seal no.		
Leakage: cm³		

Comments on seal condition, before and after test:

B.5 Comments

Comments on seal condition, before and after test:

Annex C (informative)

Typical example of a material test report (thermoplastic element)

C.1 General data

Test report reference:

Seal drawing reference or specification:

Seal type:

Compound ref.:

Thermoplastic

Base material:

Grade:

C.2 Test conditions

Normal ambient laboratory conditions, typically:

Temperature: 23 °C ± 2 °C

Relative humidity: 60 % ± 5 %

C.3 Test results

Density:

Tensile strength:

Elongation at break:

Specified	Results
Specified	Results
Specified	Results

C.4 Comments

Comments on seal condition, before and after test:

Annex D (informative)

Typical example of a material test report (elastomeric element)

The elastomeric components for the internal and/or outside gaskets, protection lip and any additional sealants are the subjects to be tested for the purpose of quality control. Its relevance is to be established by user and manufacturer.

D.1 General data

Test report reference:

Seal drawing reference or specification:

Seal type:

Elastomer	Compound:
	Type:

D.2 Test conditions

In the following tests, the times and temperatures depend on the material being used and should be the subject of agreement between manufacturer and purchaser.

a) Compression set

Time: Temperature: °C

b) Fluid immersion

Fluid immersion Test fluid:

Time: Temperature: °C

c) Dry heat ageing in air

Time: Temperature: °C

d) Stiffness at low temperature

Temperature: °C

D.3 Test results

Density:	Specified	Results
Tensile strength:	Specified	Results
Elongation break:	Specified	Results
Compression set:	Specified	Results
Fluid immersion:	Specified	Results
Dry heat ageing:	Specified	Results
Stiffness at low temperature:	Specified	Results

D.4 Comments

Comments on seal condition, before and after test:

Bibliography

- [1] ISO 37, *Rubber, vulcanized or thermoplastic — Determination of tensile stress-strain properties*
- [2] ISO 48, *Rubber, vulcanized or thermoplastic — Determination of hardness (hardness between 10 IRHD and 100 IRHD)*
- [3] ISO 286-1, *ISO system of limits and fits — Part 1: Bases of tolerances, deviations and fits*
- [4] ISO 815 (all parts), *Rubber, vulcanized or thermoplastic — Determination of compression set*
- [5] ISO 2781, *Rubber, vulcanized or thermoplastic — Determination of density*
- [6] ISO 4287, *Geometrical Product Specifications (GPS) — Surface texture: Profile method — Terms, definitions and surface texture parameters*
- [7] ISO 4288, *Geometrical Product Specifications (GPS) — Surface texture: Profile method — Rules and procedures for the assessment of surface texture*
- [8] ISO 5163, *Motor and aviation-type fuels — Determination of knock characteristics — Motor method*
- [9] ISO 5164, *Motor fuels — Determination of knock characteristics — Research method*
- [10] ISO 6194-1, *Rotary shaft lip-type seals incorporating elastomeric sealing elements — Part 1: Nominal dimensions and tolerances*
- [11] ISO 6194-2, *Rotary shaft lip-type seals incorporating elastomeric sealing elements — Part 2: Vocabulary*
- [12] ISO 6194-3, *Rotary shaft lip-type seals incorporating elastomeric sealing elements — Part 3: Storage, handling and installations*
- [13] ISO 6194-4, *Rotary shaft lip-type seals incorporating elastomeric sealing elements — Part 4: Performance test procedures*
- [14] ISO 6194-5, *Rotary shaft lip-type seals incorporating elastomeric sealing elements — Part 5: Identification of visual imperfections*

British Standards Institution (BSI)

BSI is the national body responsible for preparing British Standards and other standards-related publications, information and services.

BSI is incorporated by Royal Charter. British Standards and other standardization products are published by BSI Standards Limited.

About us

We bring together business, industry, government, consumers, innovators and others to shape their combined experience and expertise into standards-based solutions.

The knowledge embodied in our standards has been carefully assembled in a dependable format and refined through our open consultation process. Organizations of all sizes and across all sectors choose standards to help them achieve their goals.

Information on standards

We can provide you with the knowledge that your organization needs to succeed. Find out more about British Standards by visiting our website at bsigroup.com/standards or contacting our Customer Services team or Knowledge Centre.

Buying standards

You can buy and download PDF versions of BSI publications, including British and adopted European and international standards, through our website at bsigroup.com/shop, where hard copies can also be purchased.

If you need international and foreign standards from other Standards Development Organizations, hard copies can be ordered from our Customer Services team.

Subscriptions

Our range of subscription services are designed to make using standards easier for you. For further information on our subscription products go to bsigroup.com/subscriptions.

With **British Standards Online (BSOL)** you'll have instant access to over 55,000 British and adopted European and international standards from your desktop. It's available 24/7 and is refreshed daily so you'll always be up to date.

You can keep in touch with standards developments and receive substantial discounts on the purchase price of standards, both in single copy and subscription format, by becoming a **BSI Subscribing Member**.

PLUS is an updating service exclusive to BSI Subscribing Members. You will automatically receive the latest hard copy of your standards when they're revised or replaced.

To find out more about becoming a BSI Subscribing Member and the benefits of membership, please visit bsigroup.com/shop.

With a **Multi-User Network Licence (MUNL)** you are able to host standards publications on your intranet. Licences can cover as few or as many users as you wish. With updates supplied as soon as they're available, you can be sure your documentation is current. For further information, email bsmusales@bsigroup.com.

BSI Group Headquarters

389 Chiswick High Road London W4 4AL UK

Revisions

Our British Standards and other publications are updated by amendment or revision.

We continually improve the quality of our products and services to benefit your business. If you find an inaccuracy or ambiguity within a British Standard or other BSI publication please inform the Knowledge Centre.

Copyright

All the data, software and documentation set out in all British Standards and other BSI publications are the property of and copyrighted by BSI, or some person or entity that owns copyright in the information used (such as the international standardization bodies) and has formally licensed such information to BSI for commercial publication and use. Except as permitted under the Copyright, Designs and Patents Act 1988 no extract may be reproduced, stored in a retrieval system or transmitted in any form or by any means – electronic, photocopying, recording or otherwise – without prior written permission from BSI. Details and advice can be obtained from the Copyright & Licensing Department.

Useful Contacts:

Customer Services

Tel: +44 845 086 9001

Email (orders): orders@bsigroup.com

Email (enquiries): cservices@bsigroup.com

Subscriptions

Tel: +44 845 086 9001

Email: subscriptions@bsigroup.com

Knowledge Centre

Tel: +44 20 8996 7004

Email: knowledgecentre@bsigroup.com

Copyright & Licensing

Tel: +44 20 8996 7070

Email: copyright@bsigroup.com



...making excellence a habit.™