

BS ISO 16581:2014



BSI Standards Publication

Resilient and laminate floor coverings — Determination of the effect of simulated movement of a furniture leg

bsi.

...making excellence a habit.™

National foreword

This British Standard is the UK implementation of ISO 16581:2014.

The UK participation in its preparation was entrusted to Technical Committee PRI/60, Resilient and Laminate Floor Coverings.

A list of organizations represented on this committee can be obtained on request to its secretary.

This publication does not purport to include all the necessary provisions of a contract. Users are responsible for its correct application.

© The British Standards Institution 2014. Published by BSI Standards Limited 2014

ISBN 978 0 580 73993 4

ICS 59.080.60

Compliance with a British Standard cannot confer immunity from legal obligations.

This British Standard was published under the authority of the Standards Policy and Strategy Committee on 30 November 2014.

Amendments issued since publication

Date	Text affected
------	---------------

INTERNATIONAL
STANDARD

ISO
16581

First edition
2014-12-01

**Resilient and laminate floor
coverings — Determination of the
effect of simulated movement of a
furniture leg**

*Revêtements de sol résilient et laminé — Détermination de l'effet d'un
mouvement simulé d'un pied de meuble*



Reference number
ISO 16581:2014(E)

© ISO 2014



COPYRIGHT PROTECTED DOCUMENT

© ISO 2014

All rights reserved. Unless otherwise specified, no part of this publication may be reproduced or utilized otherwise in any form or by any means, electronic or mechanical, including photocopying, or posting on the internet or an intranet, without prior written permission. Permission can be requested from either ISO at the address below or ISO's member body in the country of the requester.

ISO copyright office
Case postale 56 • CH-1211 Geneva 20
Tel. + 41 22 749 01 11
Fax + 41 22 749 09 47
E-mail copyright@iso.org
Web www.iso.org

Published in Switzerland

Contents

	Page
Foreword	iv
1 Scope	1
2 Principle	1
3 Apparatus	1
4 Sampling and preparation of test piece	3
5 Conditioning	3
6 Procedure	3
6.1 Test paths	3
6.2 Testing	3
7 Expression of results	4
7.1 Resilient floor coverings	4
7.2 Laminate floor coverings	4
8 Test report	4

Foreword

ISO (the International Organization for Standardization) is a worldwide federation of national standards bodies (ISO member bodies). The work of preparing International Standards is normally carried out through ISO technical committees. Each member body interested in a subject for which a technical committee has been established has the right to be represented on that committee. International organizations, governmental and non-governmental, in liaison with ISO, also take part in the work. ISO collaborates closely with the International Electrotechnical Commission (IEC) on all matters of electrotechnical standardization.

The procedures used to develop this document and those intended for its further maintenance are described in the ISO/IEC Directives, Part 1. In particular the different approval criteria needed for the different types of ISO documents should be noted. This document was drafted in accordance with the editorial rules of the ISO/IEC Directives, Part 2 (see www.iso.org/directives).

Attention is drawn to the possibility that some of the elements of this document may be the subject of patent rights. ISO shall not be held responsible for identifying any or all such patent rights. Details of any patent rights identified during the development of the document will be in the Introduction and/or on the ISO list of patent declarations received (see www.iso.org/patents).

Any trade name used in this document is information given for the convenience of users and does not constitute an endorsement.

For an explanation on the meaning of ISO specific terms and expressions related to conformity assessment, as well as information about ISO's adherence to the WTO principles in the Technical Barriers to Trade (TBT) see the following URL: [Foreword - Supplementary information](#)

The committee responsible for this document is ISO/TC 219, *Floor coverings*.

Resilient and laminate floor coverings — Determination of the effect of simulated movement of a furniture leg

1 Scope

This International Standard specifies a method for determining the resistance of an installed resilient or laminate floor covering to the mechanical stress resulting from the simulated movement of a furniture leg.

2 Principle

The resistance of an installed floor covering to the movement of a furniture leg with rounded edges and different loadings is assessed for deterioration of surface flatness, surface damage, cuts of varying depths, and penetrating edges.

3 Apparatus

The apparatus consists of following elements (see also [Figure 1](#)):

3.1 Frame, comprising two guide rails (diameter of 100 mm) supporting the motor and the control capstan and fixed relative to the test specimen.

The unloaded peripheral speed shall be 300 mm/s.

3.2 Carriage, with a wheel base designed to prevent jerky movements, supported, and guided by rails.

The traction device is fixed to the carriage in such a way that it remains perfectly stable during the test. The tension shall be strictly perpendicular to the axis of the furniture leg.

3.3 Force-indicating device, linked to the cable and to the carriage that permits identification of the maximum tensile stress value.

3.4 Three square brass or stainless feet, conforming to the dimensions given in [Table 1](#).

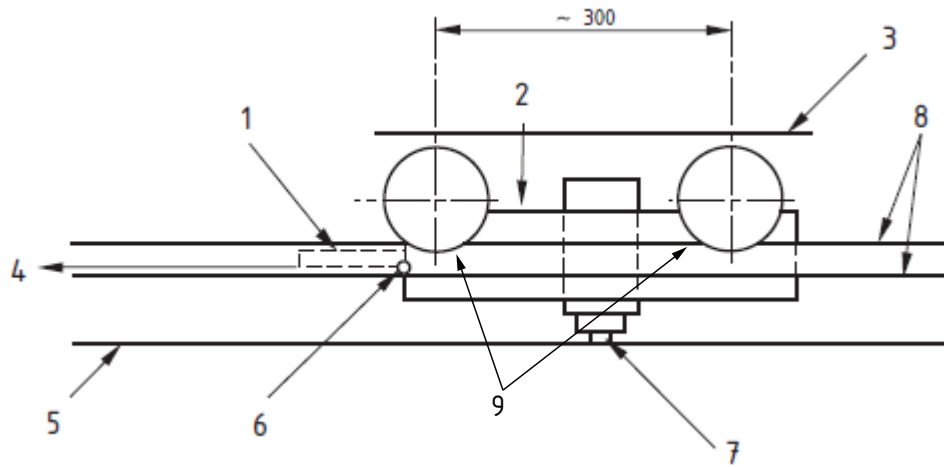
The foot base shall be always parallel to the plane of the floor covering surface even during the displacement of the furniture leg. The device should be designed so that the applied mass corresponds to the target when the foot is in motion. Particular attention should be paid to floor coverings with a high deformation to ensure that the vertical displacement of the foot is sufficient to support the deformation of the flooring.

3.5 Platform, can be weighted with masses of respectively 32 kg, 70 kg, or 100 kg, sliding vertically in the carriage with slight friction and resting on the test piece by means of one of the feet.

Table 1 — Dimensions of feet

Type	Applied mass kg	Horizontal edge radius <i>RH</i> mm	Vertical edge radius <i>RV</i> mm	Distance between opposite vertical faces mm
3	70 ^{+0,35} kg	3 ± 0,05	0,1 ± 0,05	34,6 ± 0,05
2	100 ^{+0,5} kg	2 ± 0,05	0,1 ± 0,05	33,6 ± 0,05
0	32 ^{+0,16} kg	0,1 ± 0,05	0,1 ± 0,05	31,7 ± 0,05

Dimensions in millimetres



Key

- 1 force-indicating device
- 2 carriage
- 3 platform
- 4 traction device
- 5 floor covering
- 6 attachment to traction device
- 7 foot
- 8 rails
- 9 wheels

Figure 1 — Side view of apparatus

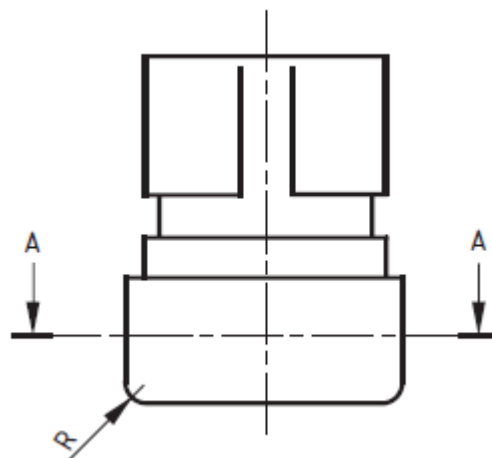


Figure 2 — Foot of apparatus

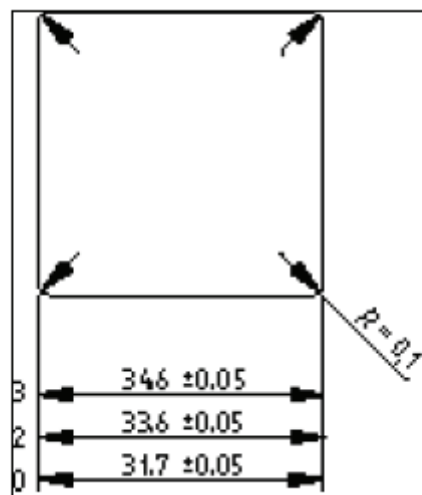


Figure 3 — Horizontal section A-A

4 Sampling and preparation of test piece

Take a representative sample from the available material.

Prepare or select a smooth, flat base with a tolerance no greater than 1,5 mm over a distance of 600 mm.

NOTE The base can be a sand-cement screed, a concrete slab finished with a smoothing coat (if necessary), or a fibre cement board at least 6 mm thick resting on a rigid stand.

Take one test piece approximately 1m² in area, which shall be fitted in accordance with the manufacturer's instructions. For laminate floor coverings, make sure that there are long and short side joints in the test area.

5 Conditioning

For resilient floor coverings, condition the test piece after fitting at a temperature of (23 ± 2) °C and a relative humidity of (50 ± 5) % for a minimum of five days in order to ensure sufficient drying of the adhesive.

For laminate floor coverings tested without gluing, only 24 h is required.

Maintain these conditions when carrying out the test.

6 Procedure

6.1 Test paths

For resilient floor coverings, ensure that the test paths are at least 100 mm from the edge of the test piece. Choose two separate test paths where the structure of the floor covering could cause different results for tests in different directions, i.e. longitudinal and transverse direction, or the principal relief lines in the pattern for sheet floor coverings, or parallel to the edge and diagonally for tiles laid alternately.

For laminate floor coverings, choose a test path in the length direction so that short side joints will be tested and a test path in the width direction so that long side joints will be tested.

6.2 Testing

Check the test piece and guide rails to ensure that they are horizontal.

Before every test, clean the foot and the surface of the laminate floor covering by means of alcohol and remove any dust on the test piece.

Fix the appropriate foot under the platform with two edges parallel to the frame rails.

Place the carriage and the platform on the rails and the test piece, and then place the mass on the platform.

For laminate floor coverings, all samples should fulfil the general classification for joint opening and height difference.

After 1 min, pull the free end of the cable (which is turned once round the capstan), without exceeding a force of 1 kN, to move the entire unit horizontally at a speed of 150 mm/s to 200 mm/s over a distance of approximately 700 mm.

Repeat the test twice on two test paths in each direction for a distance of at least 700 mm.

Record the damage caused for each test path. Surface scratches and marks as well as changes in gloss are not considered as damage. For laminates floor coverings, gouging, deformation, or delamination are considered as damage.

Ignore any damage arising beyond the first 600 mm of each test path, any damage at the end of the path if the tensile force exceeds 1 kN, and any scuffing of the surface.

7 Expression of results

7.1 Resilient floor coverings

Express the principal types of damage for each test path as follows:

- a) deterioration in the flatness of the surface;
- b) damage which partially destroys the surface;
- c) cuts of varying depths;
- d) penetrating edges;
- e) in the case of an open joint floor covering, a joint opening greater or equal to 1 mm;
- f) in the case of a treated or welded joint, its failure.

7.2 Laminate floor coverings

Express the principal types of damage for each test path as follows:

- a) gouging;
- b) delamination at the surface;
- c) damage of the edges, for example, chipping, delamination at the edge;
- d) deformations of the surface;
- e) joint opening greater or equal to 0,2 mm.

8 Test report

The test report shall contain the following information:

- a) a reference to this International Standard, i.e. ISO 16581;

- b) a complete identification of the product tested, including type, source and manufacturer's reference numbers, batch number;
- c) chain of custody;
- d) the type of foot used;
- e) the results for each test path;
- f) any deviation from this International Standard which might have affected the results.

British Standards Institution (BSI)

BSI is the national body responsible for preparing British Standards and other standards-related publications, information and services.

BSI is incorporated by Royal Charter. British Standards and other standardization products are published by BSI Standards Limited.

About us

We bring together business, industry, government, consumers, innovators and others to shape their combined experience and expertise into standards-based solutions.

The knowledge embodied in our standards has been carefully assembled in a dependable format and refined through our open consultation process. Organizations of all sizes and across all sectors choose standards to help them achieve their goals.

Information on standards

We can provide you with the knowledge that your organization needs to succeed. Find out more about British Standards by visiting our website at bsigroup.com/standards or contacting our Customer Services team or Knowledge Centre.

Buying standards

You can buy and download PDF versions of BSI publications, including British and adopted European and international standards, through our website at bsigroup.com/shop, where hard copies can also be purchased.

If you need international and foreign standards from other Standards Development Organizations, hard copies can be ordered from our Customer Services team.

Subscriptions

Our range of subscription services are designed to make using standards easier for you. For further information on our subscription products go to bsigroup.com/subscriptions.

With **British Standards Online (BSOL)** you'll have instant access to over 55,000 British and adopted European and international standards from your desktop. It's available 24/7 and is refreshed daily so you'll always be up to date.

You can keep in touch with standards developments and receive substantial discounts on the purchase price of standards, both in single copy and subscription format, by becoming a **BSI Subscribing Member**.

PLUS is an updating service exclusive to BSI Subscribing Members. You will automatically receive the latest hard copy of your standards when they're revised or replaced.

To find out more about becoming a BSI Subscribing Member and the benefits of membership, please visit bsigroup.com/shop.

With a **Multi-User Network Licence (MUNL)** you are able to host standards publications on your intranet. Licences can cover as few or as many users as you wish. With updates supplied as soon as they're available, you can be sure your documentation is current. For further information, email bsmusales@bsigroup.com.

BSI Group Headquarters

389 Chiswick High Road London W4 4AL UK

Revisions

Our British Standards and other publications are updated by amendment or revision.

We continually improve the quality of our products and services to benefit your business. If you find an inaccuracy or ambiguity within a British Standard or other BSI publication please inform the Knowledge Centre.

Copyright

All the data, software and documentation set out in all British Standards and other BSI publications are the property of and copyrighted by BSI, or some person or entity that owns copyright in the information used (such as the international standardization bodies) and has formally licensed such information to BSI for commercial publication and use. Except as permitted under the Copyright, Designs and Patents Act 1988 no extract may be reproduced, stored in a retrieval system or transmitted in any form or by any means – electronic, photocopying, recording or otherwise – without prior written permission from BSI. Details and advice can be obtained from the Copyright & Licensing Department.

Useful Contacts:

Customer Services

Tel: +44 845 086 9001

Email (orders): orders@bsigroup.com

Email (enquiries): cservices@bsigroup.com

Subscriptions

Tel: +44 845 086 9001

Email: subscriptions@bsigroup.com

Knowledge Centre

Tel: +44 20 8996 7004

Email: knowledgecentre@bsigroup.com

Copyright & Licensing

Tel: +44 20 8996 7070

Email: copyright@bsigroup.com



...making excellence a habit.™