

Road vehicles — Cleanliness of components of fluid circuits —

Part 5: Method of extraction of contaminants on functional test bench

ICS 13.040.50; 43.180

National foreword

This British Standard was published by BSI. It is the UK implementation of ISO 16232-5:2007.

The UK participation in its preparation was entrusted to Technical Committee MCE/22, Engines for road vehicles.

A list of organizations represented on this committee can be obtained on request to its secretary.

This publication does not purport to include all the necessary provisions of a contract. Users are responsible for its correct application.

Compliance with a British Standard cannot confer immunity from legal obligations.

This British Standard was published under the authority of the Standards Policy and Strategy Committee on 29 June 2007

© BSI 2007

ISBN 978 0 580 50924 7

Amendments issued since publication

Amd. No.	Date	Comments

INTERNATIONAL
STANDARD

ISO
16232-5

First edition
2007-06-01

**Road vehicles — Cleanliness of
components of fluid circuits —**

Part 5:

**Method of extraction of contaminants on
functional test bench**

*Véhicules routiers — Propreté des composants des circuits de fluide —
Partie 5: Méthode d'extraction des contaminants sur banc d'essai
fonctionnel*



Reference number
ISO 16232-5:2007(E)

Contents

Page

Foreword.....	iv
Introduction	v
1 Scope	1
2 Normative references	1
3 Terms and definitions.....	2
4 Principle.....	2
5 Equipment	2
5.1 General.....	2
5.2 Test liquid	2
5.3 Test component container.....	2
5.4 Test set up.....	2
5.5 Pressure rinsing liquid dispenser.....	3
5.6 Collection equipment	3
5.7 Sampling containers.....	3
5.8 Environmental conditions.....	3
5.9 Health and safety	3
6 Procedure	3
6.1 Handling and storage	3
6.2 Extraction procedure set up and validation.....	4
6.3 Blank test.....	6
6.4 Component routine test	8
7 Analysis of the extraction liquid	8
8 Presentation of results	9
Annex A (informative) Typical test stands and operating protocol for extraction by functional test bench.....	10
Annex B (informative) Synopsis of the extraction procedure set up and validation	13
Annex C (informative) Example of data sheet for the extraction procedure on functional test bench.....	14
Annex D (informative) Synopsis of the routine test procedure.....	17
Bibliography	18

Foreword

ISO (the International Organization for Standardization) is a worldwide federation of national standards bodies (ISO member bodies). The work of preparing International Standards is normally carried out through ISO technical committees. Each member body interested in a subject for which a technical committee has been established has the right to be represented on that committee. International organizations, governmental and non-governmental, in liaison with ISO, also take part in the work. ISO collaborates closely with the International Electrotechnical Commission (IEC) on all matters of electrotechnical standardization.

International Standards are drafted in accordance with the rules given in the ISO/IEC Directives, Part 2.

The main task of technical committees is to prepare International Standards. Draft International Standards adopted by the technical committees are circulated to the member bodies for voting. Publication as an International Standard requires approval by at least 75 % of the member bodies casting a vote.

Attention is drawn to the possibility that some of the elements of this document may be the subject of patent rights. ISO shall not be held responsible for identifying any or all such patent rights.

ISO 16232-5 was prepared by Technical Committee ISO/TC 22, *Road vehicles*, Subcommittee SC 5, *Engine test*.

ISO 16232 consists of the following parts, under the general title *Road vehicles — Cleanliness of components of fluid circuits*:

- *Part 1: Vocabulary*
- *Part 2: Method of extraction of contaminants by agitation*
- *Part 3: Method of extraction of contaminants by pressure rinsing*
- *Part 4: Method of extraction of contaminants by ultrasonic techniques*
- *Part 5: Method of extraction of contaminants on functional test bench*
- *Part 6: Particle mass determination by gravimetric analysis*
- *Part 7: Particle sizing and counting by microscopic analysis*
- *Part 8: Particle nature determination by microscopic analysis*
- *Part 9: Particle sizing and counting by automatic light extinction particle counter*
- *Part 10: Expression of results*

Introduction

The presence of particulate contamination in a liquid system is acknowledged to be a major factor governing the life and reliability of that system. The presence of particles residual from the manufacturing and assembly processes will cause a substantial increase in the wear rates of the system during the initial run-up and early life, and may even cause catastrophic failures.

In order to achieve reliable performance of components and systems, control over the amount of particles introduced during the build phase is necessary, and measurement of particulate contaminants is the basis of control.

The ISO 16232 series has been drafted to fulfil the requirements of the automotive industry, since the function and performance of modern automotive fluid components and systems are sensitive to the presence of a single or a few critically sized particles. Consequently, ISO 16232 requires the analysis of the total volume of extraction liquid and of all contaminants collected using an approved extraction method.

The ISO 16232 series has been based on existing ISO International Standards such as those developed by ISO/TC 131/SC6. These International Standards have been extended, modified and new ones have been developed to produce a comprehensive suite of International Standards to measure and report the cleanliness levels of parts and components fitted to automotive fluid circuits.

This part of ISO 16232 defines procedures for the removal and collection of contaminants from components using a flow of test liquid in conditions as close as possible to the ones components are actually used in so that their cleanliness can be evaluated.

The cleanliness level of a component, as determined according to this method, depends to a large extent on the parameters of the test such as the capacity of the test bench to reproduce the operating conditions and the requirements of the component (e.g. flow conditions, duration of flowing, etc). All parameters are included in the cleanliness specification and in the inspection document and it is advisable that they be rigorously followed by the test staff.

Road vehicles — Cleanliness of components of fluid circuits —

Part 5:

Method of extraction of contaminants on functional test bench

1 Scope

This part of ISO 16232 describes the principles of extraction of contaminants by test on a laboratory functional test bench with the test liquid flowing under pressure or under vacuum. It is applicable to both active and passive components through which the fluid can easily flow.

Unless otherwise specified, this part of ISO 16232 deals with particulate contamination only. It does not, therefore, cover appearance defects or contamination by liquid or gaseous materials. It covers the amount and the nature of residual particles resulting from manufacturing processes and from the environment.

2 Normative references

The following referenced documents are indispensable for the application of this document. For dated references, only the edition cited applies. For undated references, the latest edition of the referenced document (including any amendments) applies.

ISO 16232-1, *Road vehicles — Cleanliness of components of fluid circuits — Part 1: Vocabulary*

ISO 16232-2, *Road vehicles — Cleanliness of components of fluid circuits — Part 2: Method of extraction of contaminants by agitation*

ISO 16232-3, *Road vehicles — Cleanliness of components of fluid circuits — Part 3: Method of extraction of contaminants pressure rinsing*

ISO 16232-4, *Road vehicles — Cleanliness of components of fluid circuits — Part 4: Method of extraction of contaminants by ultrasonic techniques*

ISO 16232-6, *Road vehicles — Cleanliness of components of fluid circuits — Part 6: Particle mass determination by gravimetric analysis*

ISO 16232-7, *Road vehicles — Cleanliness of components of fluid circuits — Part 7: Particle sizing and counting by microscopic analysis*

ISO 16232-8, *Road vehicles — Cleanliness of components of fluid circuits — Part 8: Particle nature determination by microscopic analysis*

ISO 16232-9, *Road vehicles — Cleanliness of components of fluid circuits — Part 9: Particle sizing and counting by automatic light extinction particle counter*

ISO 16232-10:2007, *Road vehicles — Cleanliness of components of fluid circuits — Part 10: Expression of results*

3 Terms and definitions

For the purposes of this document, the terms and definitions given in ISO 16232-1 apply.

4 Principle

The component shall be installed on a validated test bench which simulates the component's functional operation. The motion of the liquid under known conditions detaches the contaminants from the controlled surfaces and transfers them to the test liquid, for subsequent analysis. The motion of the test liquid is achieved either by pressure or by vacuum. In the case of an active component, depending on the function principle, the component shall be actuated either by an external device or by the moving liquid.

5 Equipment

5.1 General

The equipment used shall neither alter nor modify the size distribution of the extracted particles.

5.2 Test liquid

The test liquid shall be compatible with all the materials in the component, with the liquid used in the final system and with the test equipment, including seals, membrane filters and clean-up filters. A test liquid of low viscosity ($\leq 5 \text{ mm}^2/\text{s}$) and having the capability of removing (or dissolving) oil and grease is recommended. It should be filtered to attain the requirements of 6.3.3.

SAFETY PRECAUTIONS — In case a tested component will be reclaimed for final use, application of incompatible test liquid may cause hazardous damage.

5.3 Test component container

A closed container should be used for the transfer of the component from the place of sampling to the place of particle extraction. This container shall be appropriate to the shape of the component and made of material compatible with the test liquid. Its degree of cleanliness shall comply with the blank requirements specified in 6.3.3.

5.4 Test set up

Use a test set-up that enables the component to operate at its acceptable flow rate, temperature and pressure as agreed between parties and included in the inspection document. A typical test set-up schematic is shown in Annex A.

In Annex A, all circuit components shown are given as examples. The extraction circuit shall be designed so as to fulfil the requirements of the extraction procedure.

The design of the test set-up and the components selected are critical to the accuracy, repeatability and reproducibility of measurements, and the basic rules are:

- the components shall neither alter nor modify the size distribution of the particles
- the components shall not encourage the settlement of particles during its operation and be so designed to quickly and effectively cause the particles to be re-entrained after periods of stoppage.

5.5 Pressure rinsing liquid dispenser

The pressure liquid dispenser is a device that provides a clean test liquid specified in 5.2 at a pressure and flow rate capable of extracting the contaminants in an effective manner. The dispenser can also be used to rinse the test equipment, and all other items.

5.6 Collection equipment

The collection equipment shall allow effective draining of particles. A conical base is preferred.

The collection equipment shall be cleaned to achieve the requirements of 6.3.3.

It is possible for contaminants remaining on the equipments to be transferred to the sample and thus be erroneously included as part of the contaminants removed from the component. All collection equipment shall be cleaned and covered before use in order to limit contamination from the environment.

5.7 Sampling containers

The sampling containers (glassware, etc.) required for transferring the extraction liquid from the collection equipment to the analysis equipments shall be cleaned to achieve the requirements of 6.3.3.

5.8 Environmental conditions

The cleanliness of the environment of the place where the extraction is performed shall be consistent with the presumed cleanliness of the component to test. This requirement may result in the test being carried out in a laboratory or controlled workplace. The suitability of the environment is validated when performing the blank test.

5.9 Health and safety

5.9.1 Local Health and Safety procedures shall be followed at all times, any equipment shall be operated in accordance with the manufacturer's instruction and personal protection equipment used where appropriate.

5.9.2 Chemicals used in the procedures can be harmful, toxic or flammable. Good laboratory practices shall be observed in the preparation and use of these chemicals. Care shall be taken to ensure compatibility of the chemicals with the materials used (refer to each Material Safety Data Sheet [MSDS]). Follow the precautions for safe handling and usage as described in the MSDS available from the supplier.

5.9.3 Volatile liquids; care shall be taken with flammable liquids to ensure that they are used in accordance with the MSDS, at temperatures below the stated flash point and away from potential sources of ignition. Appropriate precautions should be taken to avoid inhalation of fumes from these solvents. Always use suitable protective equipment.

5.9.4 Electrical; appropriate care should be applied in the use of electrical power.

5.9.5 Disposal; all liquids and substances shall be disposed of in accordance with local environmental procedures. In the event of spillage it shall be cleaned-up in the manner detailed in the MSDS.

6 Procedure

6.1 Handling and storage

6.1.1 During handling and storage of test components, it shall be ensured that no contaminants are deposited on or removed from controlled surfaces.

6.1.2 To prevent loss of particles during transport, it may be necessary to seal openings of the test components, e.g. with suitable plugs.

6.2 Extraction procedure set up and validation

6.2.1 The number of components to be analysed shall be chosen so as to measure a significant amount of contaminant.

6.2.2 If the break-in of the component is part of its manufacturing process, the extraction procedure should be agreed between parties and included in the inspection document because break-in may alter its initial cleanliness level.

6.2.3 If particles that are detached during transportation of the test component and/or particles from the packaging are to be included in the cleanliness inspection, as agreed upon between parties, they shall be collected using the appropriate extraction method (e.g. low pressure rinsing). This agreement shall be included in the inspection document.

6.2.4 For active components, it may be necessary to operate them in order to pass the test liquid through during the extraction procedure. In this case, the initial contamination level may be altered. The extraction conditions should be agreed upon between parties and included in the inspection document.

6.2.5 The effectiveness of the contaminant extraction on a functional test stand depends on the following, non exhaustive list of parameters: flow rate, duration of flow, test liquid, liquid viscosity, etc. A synopsis of the operations to perform is given in Annex B. The detailed description of operating conditions and equipment used in application of this standard to flow the test liquid through the component constitutes the extraction procedure. This procedure shall be established for each component and shall be both agreed between parties and included in the inspection document. Details of the procedure shall be reported on a suitable data sheet (for an example of extraction procedure data sheet see Annex C). An example of operating protocol is given in Annex A.

6.2.6 If needed for reporting results and if not specified, determine the controlled volume and/or controlled surface area of the component under examination (see Annex B of ISO 16232-10:2007). Report and/or specify their values in the inspection document.

6.2.7 Before starting to set up or validate any extraction protocol/equipment, it is necessary to perform an initial blank test to know the cleanliness of the equipment. This is performed after cleaning the equipment. The initial blank shall exhibit values stated in 6.3.3.

NOTE Conditioning and cleaning serves the purpose of obtaining a suitable cleanliness level of the inspection set-up. It is recommended that a basic procedure for conditioning the inspection set-up be defined. For example, by performing a cleanliness analysis of a defined volume of liquid after the cleaning procedure of the set-up, it can be determined whether the inspection environment is suitable for carrying out a validation procedure.

6.2.8 If necessary, demagnetise the component and/or clean those external surfaces which are not involved in the cleanliness inspection.

6.2.9 The external surface should be cleaned in a physically different place from where extraction is to be carried out. Ensure that no contaminants are deposited on or removed from controlled surfaces. For example, if the component is of large size, a tank for example, clean only those external surfaces which might contribute to contamination during the extraction process.

6.2.10 If necessary, remove all covers and other plugs fitted for transport of the component. If the component contains a shipment liquid, empty it out, measure its volume and analyse its contaminants according to Clause 7.

NOTE Removal of plugs might generate contaminants to unavoidably contribute to the original contamination.

6.2.11 If dismantling is necessary to obtain access to all the surface to be inspected, do so with care.

NOTE Any operation of dismantling might generate particles which could be added to or lost from the original amount of particles.

6.2.12 Clean the test liquid, in the following manner, so that it complies with 6.3.3.

- a) Ensure that the test component can be by-passed either by valving or by connecting the two ports usually occupied by the test component. Bring in the clean-up filter. Annex A gives further guidance.
- b) For pressure flushing, circulate the test liquid through the clean-up filter until the required blank value (6.3.3) is obtained.
- c) For vacuum flushing either connect a secondary pump to circulate the extraction liquid around the circuit or clean in batches by drawing volumes through the clean-up filter into a suitable clean container. Continue until the required cleanliness value (6.3.3) is obtained.

Care in fitting and removing both the pipe and component for test shall be undertaken so not to contribute significant particles

6.2.13 Extract the contaminants using an appropriate operating protocol (e.g. as described in Annex A.2).

6.2.14 Collect all the extraction liquid in the sampling container. Rinse the inner surface of the sampling container with clean rinsing liquid in order to collect any remaining particles for subsequent analysis.

NOTE 1 As a function of the level of contamination observed in the extraction liquid, it may be necessary to divide the total volume among several sampling containers to facilitate their subsequent analysis, to avoid clogging of a membrane filter during filtration, the saturation of an APC or overlapping of particles in the case of microscopic counting.

NOTE 2 Instead of collecting in a container, the extraction liquid may also be directed through a membrane filter connected directly to the outlet of the test bench.

6.2.15 Analyse the extraction liquid as specified in Clause 7 and label the result obtained as S_1 .

6.2.16 Repeat operations 6.2.12 to 6.2.15 twice more on the same component, using a different clean container for collecting each extraction liquid sample and label the results obtained as S_2 and S_3 .

6.2.17 Validate the contaminant extraction procedure to ensure its efficacy as follows:

- a) for each of the three samples taken in 6.2.15 and 6.2.16, establish the total mass of contaminants and/or the total number of particles. For the particle count, this is applicable to the total number of particles larger than the smallest particle size specified in the inspection document. This particle size shall be chosen to enable counting of a significant number of particles.
- b) divide the result of the last sample by the sum of all the values obtained in 6.2.17 a);
- c) if the value obtained is less than or equal to 10 % of this sum the end-point is reached and the extraction is completed.

NOTE 1 This procedure enables the extraction curve to be drawn and the end-point ($\leq 0,10$) to be demonstrated, (see Figure 1).

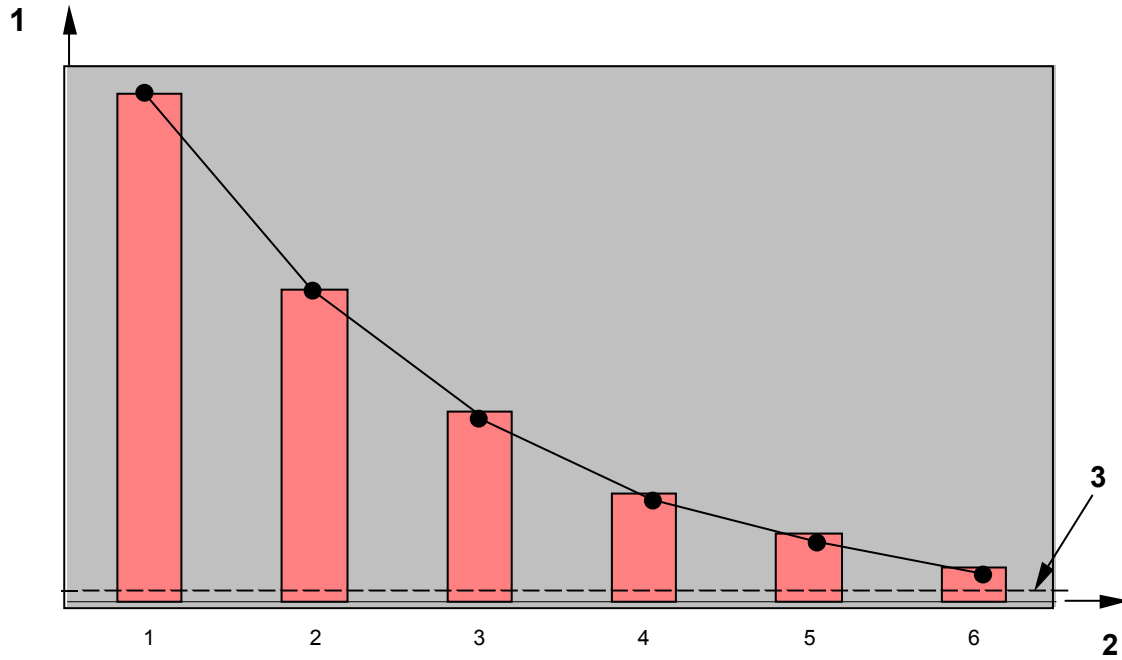
NOTE 2 The cleanliness level of the component is the sum of the extractions.

NOTE 3 In some cases (for example: a very low contamination level, difficulties in extracting particles, inappropriate blank level, etc.) the extraction curve may not be of the form seen in Figure 1. If this is the case, it is ensured that all extraction parameters have been properly investigated.

- d) If the value obtained is $> 0,10$ a further extraction is necessary. Repeat stages 6.2.12 to 6.2.15 until the last sample (S_n) produces a result $\leq 0,10$ of the total of the samples ($S_n \leq \frac{10}{100} \sum_{i=1}^n S_i$).

6.2.18 If six extractions have been performed without reaching a value $\leq 0,10$, then the extraction parameters are not suitable and shall be modified. Repeat operations 6.2.13 to 6.2.17 with new parameters on a new component.

6.2.19 If this criterion is not fulfilled set up a new extraction protocol and validate it according to 6.2 or apply another extraction method as defined in ISO 16232-2, ISO 16232-3 or ISO 16232-4.



Key

- 1 cleanliness level of S_i
- 2 extraction samples i
- 3 blank level

Figure 1 — Extraction curve

6.3 Blank test

6.3.1 Sources of blank contamination

6.3.1.1 The overall blank value accounts for contamination resulting from handling and testing the component, beginning when it is unpacked and ending after the analysis procedure. Main sources of blank contamination are:

- ambient air environment (air, operator, working area, etc.);
- test liquid;
- all non-component surfaces that come into contact with the extraction liquid such as containers and equipment for collecting and sampling the extraction liquid;
- analysis of the extraction liquid;
- membrane filter or optical particle counter and associated equipment;
- handling during preparation and analysis of extraction liquid samples.

The blank value results from the combination and interaction of the above factors being applied for a specific test task.

6.3.1.2 The cleanliness of the environment where the cleanliness inspection is performed should be known and be consistent with the presumed cleanliness of the component to be tested. This is validated when performing the blank test.

6.3.1.3 If the blank value level shifts towards higher values, the sources of blank contamination shall be investigated in order to avoid the specified blank level being exceeded in the future.

6.3.2 System blank test

6.3.2.1 A blank test is performed to verify that the operating conditions, equipment and products used in the extraction procedure do not contribute a significant amount of contamination to the component analysed. To ensure process consistency, a blank test should be performed at regular intervals using identical test parameters.

6.3.2.2 For the determination of system blank values, identical conditions as the one applied during testing of the component shall be applied but with the component omitted.

The blank value shall be determined and comply with the requirements for each analysis method specified in the inspection document.

6.3.2.3 Proceed as specified in 6.2.5, 6.2.7, 6.2.8, 6.2.12 to 6.2.14 with the same equipment and total volume of extraction fluid as required for analysis of the component, but without the component.

6.3.2.4 Analyse the extraction liquid as specified in Clause 7.

6.3.3 Blank value

6.3.3.1 General

The acceptable blank value depends on the presumed or specified cleanliness level of the component(s) and, depending on the analysis method, is as follows:

6.3.3.2 Gravimetric analysis

Less than 10 % of the presumed gravimetric cleanliness level.

NOTE Using a 4-digit balance in uncontrolled environmental conditions (uncontrolled humidity and temperature) the minimum measurable blank value is 0,3 mg. Thus at least 3 mg should be collected during the component test in order to meet the 10 % criterion.

6.3.3.3 Particle counting and sizing

a) Particle counts: less than 10 % of the presumed or specified numbers at the relevant sizes, each calculated number being rounded down.

EXAMPLE

For one particle size, the specified number is 16,

$16 \times 10 \% = 1,6$

rounded value = 1

Conclusion: 1 particle is accepted in the blank value

NOTE The relevant sizes should be as close as possible to the maximum particle size acceptable for the component and chosen to allow counting significant numbers of particles.

b) Maximum particle size: no particle at the ISO 16232-10 size range next lower to the half of the presumed or specified maximum particle size.

EXAMPLE:

Maximum acceptable particle size $X = 350 \mu\text{m} \rightarrow 350 \mu\text{m}/2 = 175 \mu\text{m}$.

This is size class G according to ISO 16232-10.

Next lower size class is F. That means no particles larger than 100 μm for the blank.

- c) If the component cleanliness level is neither presumed nor specified, the blank shall exhibit:
- less than 4 000 particles greater than 5 µm and less than 500 particles greater than 15 µm per 100 mL of extraction liquid,
 - no particle greater than 50 µm.

6.3.3.4 Blank level exceeding 10 %

If the blank level exceeds 10 %, it is possible to increase the number of test components analyzed in order to collect more particles and thus fulfil the 10 % limit.

6.4 Component routine test

A synopsis of the procedure is given in Annex D.

6.4.1 Apply the extraction procedure described in 6.2.1 to 6.2.14 to the test item. It may be possible to use combined extraction method by using the same overall test liquid volume used to validate the extraction procedure. In this case the resulting cleanliness level may differ. This simplified method shall be validated and shall be agreed between parties and included in the inspection document.

If the particles detached during transportation of the test component and particles from the packaging are required to be included in the cleanliness test they shall be collected using the appropriate extraction method (e.g. low pressure rinsing) as agreed upon between parties and included in the inspection document.

6.4.2 When several identical components are measured by a validated method, the cleanliness level of each extraction liquid sample is not required to be measured. All the samples collected in 6.2.14 can then be mixed and analysed as specified in Clause 7.

NOTE When the extraction method is applied to several components due to their high level of cleanliness (in relation to the value of the blank level, etc.), it is not necessary to measure the contamination level of each extraction liquid sample. All the liquids collected in 6.2.14 are then mixed and analyzed as specified in Clause 7.

7 Analysis of the extraction liquid

7.1 All of the extraction liquid shall be analysed by the method appropriate to the expression of the result of the cleanliness inspection as specified in the inspection document:

- gravimetric analysis in accordance with ISO 16232-6;
- particle sizing and counting by microscopic analysis in accordance with ISO 16232-7;
- particle nature analysis by scanning electron microscopy and EDX in accordance with ISO 16232-8;
- particle counting and sizing by light extinction automatic particle counter in accordance with ISO 16232-9.

7.2 The analysis shall relate to the total volume of liquid used. As specified in the inspection document, all or some of the following liquid samples shall be analysed together provided that the liquids are completely miscible:

- those containing the extracted particles;
- those containing the particles from rinsing the collection equipment;
- those containing the particles from rinsing any packaging;
- those containing all liquid drained from the test item prior to the extraction process.

If the samples contain immiscible liquids then they shall be analysed separately, unless it can be verified that these liquids will not interfere with the analysis method chosen.

8 Presentation of results

An example of a functional test extraction data sheet is given in Annex C.

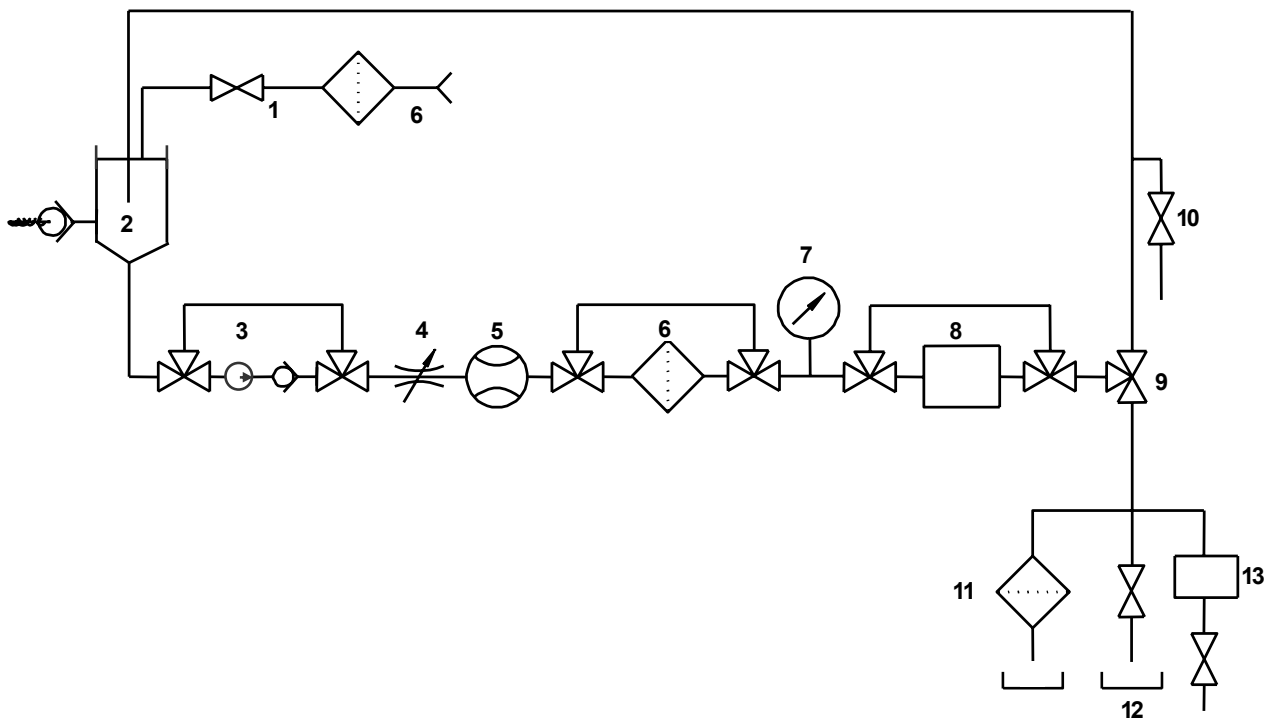
Express the results of the cleanliness measurement according to ISO 16232-10.

Annex A
(informative)

Typical test stands and operating protocol for extraction by functional test bench

A.1 Pressure flushing

A.1.1 Typical test stand schematic



Key

- 1 air pressure source
- 2 test reservoir
- 3 circulation pump
- 4 flow regulating valve
- 5 flowmeter
- 6 clean-up filter
- 7 pressure gauge
- 8 test component
- 9 three way ball valve
- 10 sampling valve
- 11 test membrane filter
- 12 extraction liquid sampling container
- 13 on-line automatic particle counter

Figure A.1 — Schematic of the various options of a test stand for pressure flushing

A.1.2 Operating protocol

A.1.2.1 Install the component (8) on the test stand to test and by-pass it.

A.1.2.2 Fill the test reservoir and system with the test liquid.

A.1.2.3 Adjust the valves isolating the clean-up filter to bring it into circuit, and switch valve (9) to the recirculation position.

A.1.2.4 Start the pump (3) and set the flow rate to the specified value either by using valve (4) or by adjusting the speed of the pump.

A.1.2.5 Operate the system until the test liquid cleanliness level (measured at the sampling valve if any (10) reaches the required blank level (see 6.3.3). In the absence of such a specification, clean-up until an ISO 4406 code of -/12/9 is reached.

A.1.2.6 Perform the extraction test in the following manner :

a) To obtain the required flow rate value :

- Either pressurize the reservoir to the required pressure and adjust valve (4) position, or
- Adjust the pump rotational speed and valve (4) position.

b) Switch the 3-way valve (9) to the extract position and switch the valves isolating the component so that the component is brought on-line. Adjust the flow rate as required.

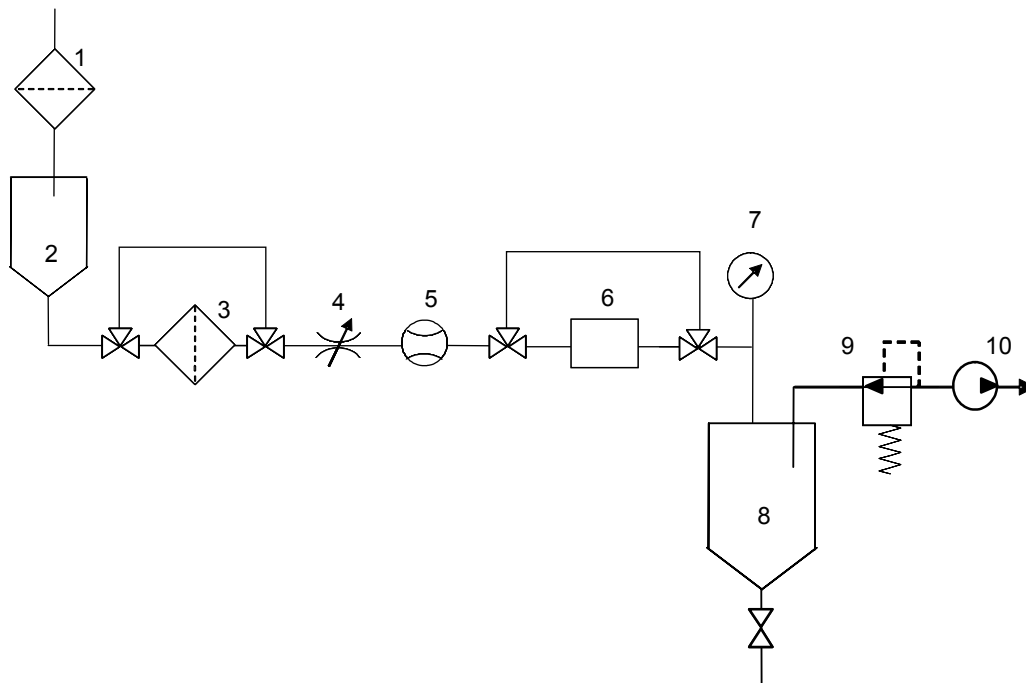
c) Continue the flow for the time necessary to pass the desired volume of test liquid as specified in the extraction procedure and the inspection document.

d) After passage of the required volume, direct the flow to recirculation by switching valve (9) and stop the flow.

A.1.2.7 Analyse the whole extraction liquid volume by the appropriate analysis method and report the result according to ISO 16232-10.

A.2 Vacuum flushing

A.2.1 Typical test stand schematic



Key

- 1 air filter
- 2 test liquid reservoir
- 3 clean-up filter
- 4 flow regulating valve
- 5 flowmeter
- 6 test component
- 7 vacuum gauge
- 8 extraction vacuum collection reservoir
- 9 vacuum regulation valve
- 10 vacuum pump

Figure A.2 — Schematic of the various options of a test stand for vacuum flushing

A.2.2 Operating protocol

- A.2.2.1** Install the test component (6) on the test stand and bypass it.
- A.2.2.2** Fill the test reservoir (2) with the test liquid and close the flow regulation valve (4).
- A.2.2.3** Start the vacuum pump (10) and set the vacuum to the specified value using valve (9).
- A.2.2.4** Open the isolating valve to bring the component on-line. Set the extraction flow rate to the specified value using the component isolating valve.
- A.2.2.5** **Pass** the test liquid volume from the test reservoir (2) to the vacuum collection reservoir (8).
- A.2.2.6** Analyse the whole extraction liquid volume by the appropriate analysis method and report the result according to ISO 16232-10.

Annex B (informative)

Synopsis of the extraction procedure set up and validation

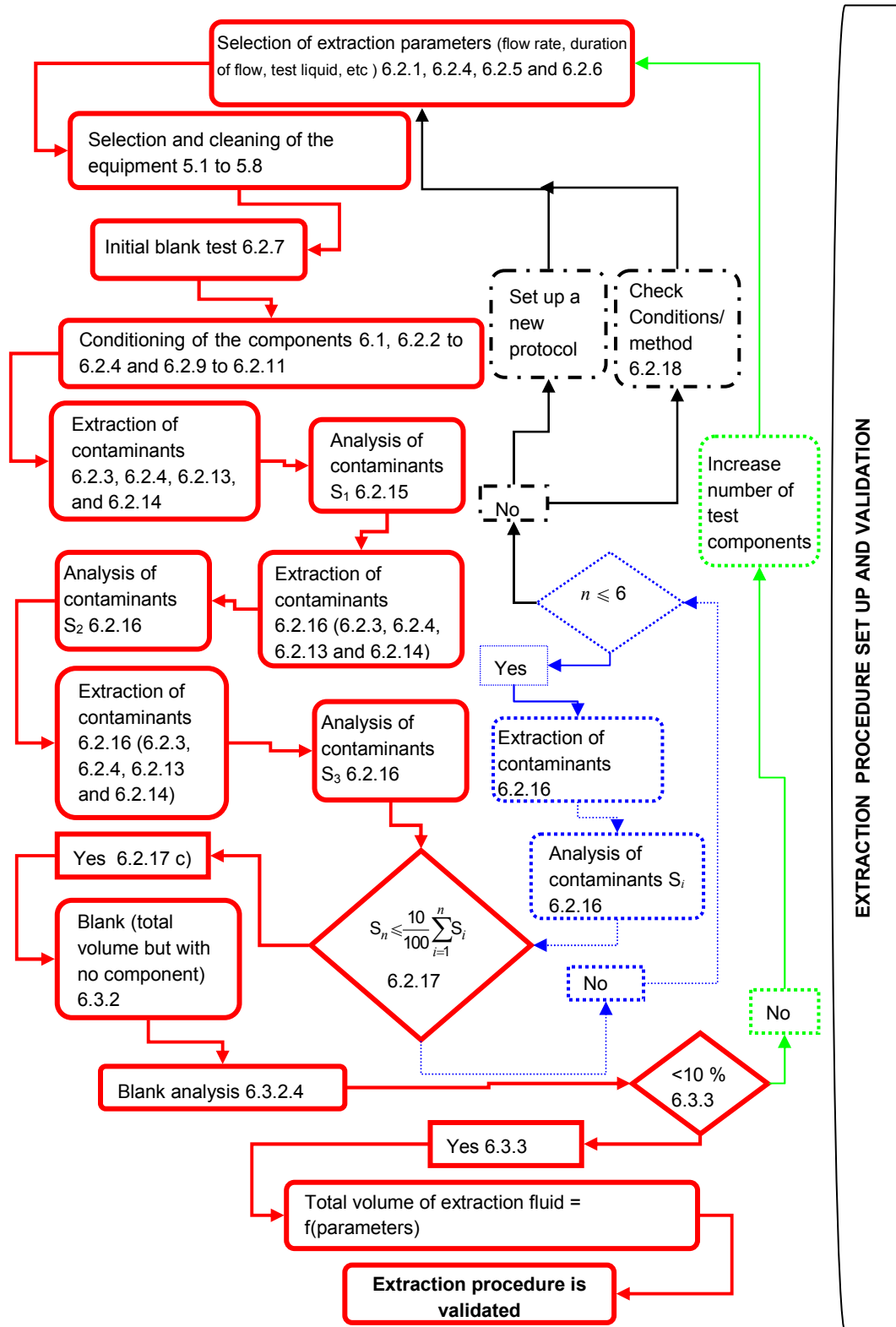


Figure B.1 — Synopsis of the extraction procedure set up and validation

Annex C
(informative)

Example of data sheet for the extraction procedure on functional test bench

C.1 Operator identification

Date: _____ Operator: _____ Company: _____

C.2 Identification of component under test

Type: _____ Controlled volume V_C = _____ mL
 Reference: _____ Controlled surface area: A_C = _____ cm²
 Supplier: _____ Number analysed: _____
 Packaging or container rinsing Analysis of shipment liquid
 YES NO YES NO
 Prior external rinse: YES NO Filling orifice(s): ref.: YES NO
 Dismantling: YES NO Demagnetising: YES NO

C.3 Identification of the test bench

Type: _____ Functions: _____ Ref.: _____

C.4 Test liquid

Identification: _____ Viscosity: _____ mm²/s Temperature: _____ °C

C.5 Test conditions

Procedure ref. : _____

Liquid volume: _____ mL Pressure: _____ bar Flowrate: _____ L/min

Frequency or Rotational speed: _____ Hz or min⁻¹ Duration: _____ min**C.6 Extraction data and validation**

Extraction number (<i>i</i>)	Blank level	1	2	3	4	5	6
Cumulative volume (mL)							
Cumulative gravimetry (mg)							
Cumulative particle count at <i>x</i> μm							
% extraction							

NOTE 1 Extraction is validated when an analysis result is less than or equal to 10% of the sum of all the results

$$(S_n \leq \frac{10}{100} \sum_{i=1}^n S_i \text{ with } n \leq 6)$$

NOTE 2 Report particle count data on as many lines as particle sizes used for this validation.

C.7 Illustrations (pictures or drawings)

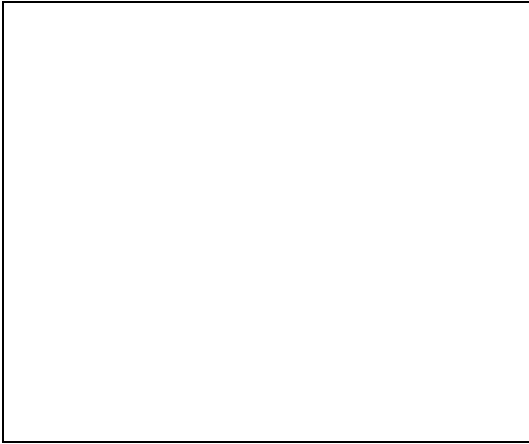


Figure C.7.1 — Diagram or view in 2D or 3D of the component

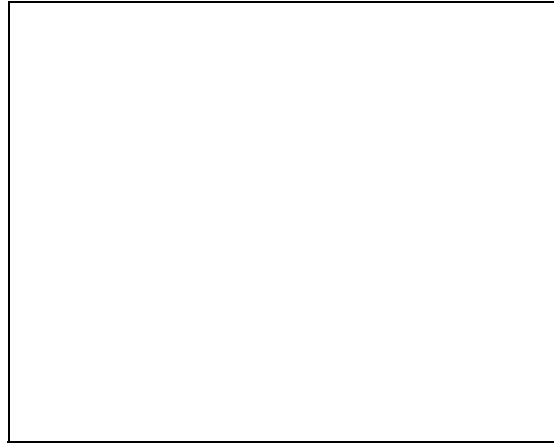


Figure C.7.2 — Position on extraction bench

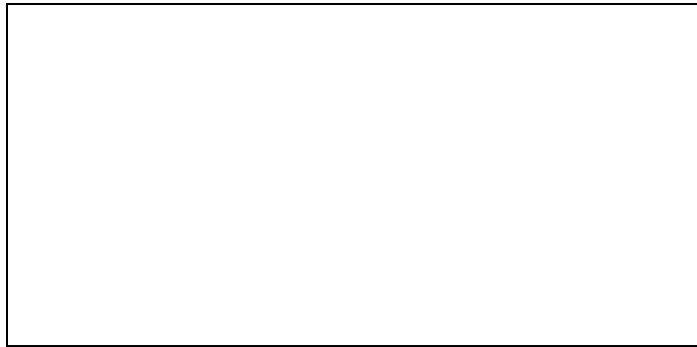


Figure C.7.3 — Diagram of extraction bench

C.8 Detailed description of the extraction protocol

(Write a precise chronological list of the functions performed and the conditions of operation of the component before and during the sampling operation.)

Annex D (informative)

Synopsis of the routine test procedure

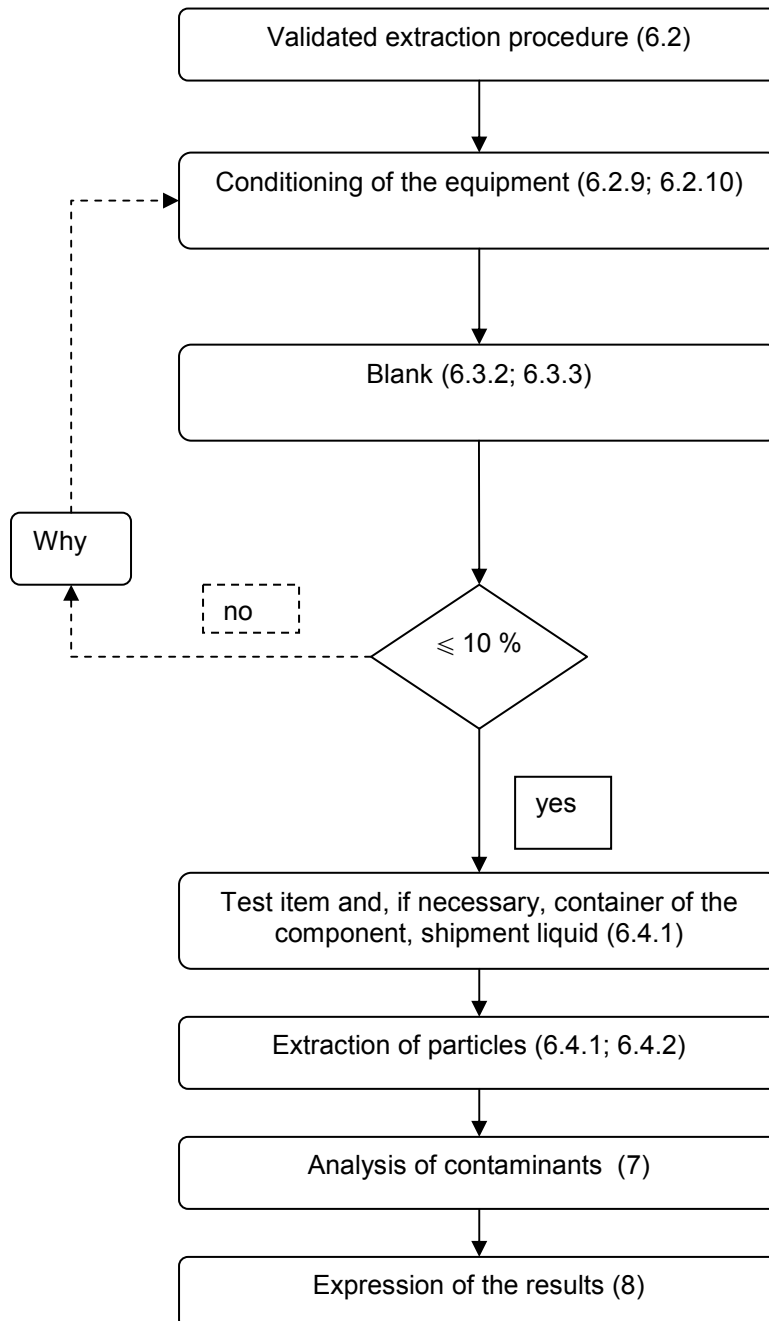


Figure D.1 — Synopsis of the test procedure

Bibliography

- [1] ISO 3722, *Hydraulic fluid power — Fluid sample containers — Qualifying and controlling cleaning methods*
- [2] ISO 4021, *Hydraulic fluid power — Particulate contamination analysis — Extraction of fluid samples from lines of an operating system*
- [3] ISO 4405, *Hydraulic fluid power — Fluid contamination — Determination of particulate contamination by the gravimetric method*
- [4] ISO 4406, *Hydraulic fluid power — Fluids — Method for coding the level of contamination by solid particles*
- [5] ISO 4407, *Hydraulic fluid power — Fluid contamination — Determination of particulate contamination by the counting method using an optical microscope*
- [6] ISO 11218, *Aerospace — Cleanliness classification for hydraulic fluids*
- [7] ISO 12345, *Diesel engines — Cleanliness assessment of fuel injection equipment* (available in English only)
- [8] ISO 18413, *Hydraulic fluid power — Cleanliness of parts and components — Inspection document and principles related to contaminant collection, analysis and data reporting*
- [9] NF E 48-660, *Hydraulic fluid systems — Fluids — Determination of solid particulate contamination by optical microscope and image analysis*

BSI — British Standards Institution

BSI is the independent national body responsible for preparing British Standards. It presents the UK view on standards in Europe and at the international level. It is incorporated by Royal Charter.

Revisions

British Standards are updated by amendment or revision. Users of British Standards should make sure that they possess the latest amendments or editions.

It is the constant aim of BSI to improve the quality of our products and services. We would be grateful if anyone finding an inaccuracy or ambiguity while using this British Standard would inform the Secretary of the technical committee responsible, the identity of which can be found on the inside front cover.
Tel: +44 (0)20 8996 9000. Fax: +44 (0)20 8996 7400.

BSI offers members an individual updating service called PLUS which ensures that subscribers automatically receive the latest editions of standards.

Buying standards

Orders for all BSI, international and foreign standards publications should be addressed to Customer Services. Tel: +44 (0)20 8996 9001.
Fax: +44 (0)20 8996 7001. Email: orders@bsi-global.com. Standards are also available from the BSI website at <http://www.bsi-global.com>.

In response to orders for international standards, it is BSI policy to supply the BSI implementation of those that have been published as British Standards, unless otherwise requested.

Information on standards

BSI provides a wide range of information on national, European and international standards through its Library and its Technical Help to Exporters Service. Various BSI electronic information services are also available which give details on all its products and services. Contact the Information Centre.
Tel: +44 (0)20 8996 7111. Fax: +44 (0)20 8996 7048. Email: info@bsi-global.com.

Subscribing members of BSI are kept up to date with standards developments and receive substantial discounts on the purchase price of standards. For details of these and other benefits contact Membership Administration.
Tel: +44 (0)20 8996 7002. Fax: +44 (0)20 8996 7001.
Email: membership@bsi-global.com.

Information regarding online access to British Standards via British Standards Online can be found at <http://www.bsi-global.com/bsonline>.

Further information about BSI is available on the BSI website at <http://www.bsi-global.com>.

Copyright

Copyright subsists in all BSI publications. BSI also holds the copyright, in the UK, of the publications of the international standardization bodies. Except as permitted under the Copyright, Designs and Patents Act 1988 no extract may be reproduced, stored in a retrieval system or transmitted in any form or by any means – electronic, photocopying, recording or otherwise – without prior written permission from BSI.

This does not preclude the free use, in the course of implementing the standard, of necessary details such as symbols, and size, type or grade designations. If these details are to be used for any other purpose than implementation then the prior written permission of BSI must be obtained.

Details and advice can be obtained from the Copyright & Licensing Manager.
Tel: +44 (0)20 8996 7070. Fax: +44 (0)20 8996 7553.
Email: copyright@bsi-global.com.