

BS ISO 16163:2012



BSI Standards Publication

# Continuously hot-dipped coated steel sheet products — Dimensional and shape tolerances

**bsi.**

...making excellence a habit.™

**National foreword**

This British Standard is the UK implementation of ISO 16163:2012. It supersedes BS ISO 16163:2010 which is withdrawn.

The UK participation in its preparation was entrusted to Technical Committee ISE/109, Coated and Uncoated Flat Products to be Used for Cold Forming.

A list of organizations represented on this committee can be obtained on request to its secretary.

This publication does not purport to include all the necessary provisions of a contract. Users are responsible for its correct application.

© The British Standards Institution 2012. Published by BSI Standards Limited 2012

ISBN 978 0 580 76072 3

ICS 77.140.50

**Compliance with a British Standard cannot confer immunity from legal obligations.**

This British Standard was published under the authority of the Standards Policy and Strategy Committee on 31 August 2012.

**Amendments issued since publication**

Date	Text affected
------	---------------

---

---

---

**Continuously hot-dipped coated steel  
sheet products — Dimensional and  
shape tolerances**

*Tôles en acier revêtues en continu par immersion à chaud —  
Tolérances sur dimensions et forme*





**COPYRIGHT PROTECTED DOCUMENT**

© ISO 2012

All rights reserved. Unless otherwise specified, no part of this publication may be reproduced or utilized in any form or by any means, electronic or mechanical, including photocopying and microfilm, without permission in writing from either ISO at the address below or ISO's member body in the country of the requester.

ISO copyright office  
Case postale 56 • CH-1211 Geneva 20  
Tel. + 41 22 749 01 11  
Fax + 41 22 749 09 47  
E-mail [copyright@iso.org](mailto:copyright@iso.org)  
Web [www.iso.org](http://www.iso.org)

Published in Switzerland

## Foreword

ISO (the International Organization for Standardization) is a worldwide federation of national standards bodies (ISO member bodies). The work of preparing International Standards is normally carried out through ISO technical committees. Each member body interested in a subject for which a technical committee has been established has the right to be represented on that committee. International organizations, governmental and non-governmental, in liaison with ISO, also take part in the work. ISO collaborates closely with the International Electrotechnical Commission (IEC) on all matters of electrotechnical standardization.

International Standards are drafted in accordance with the rules given in the ISO/IEC Directives, Part 2.

The main task of technical committees is to prepare International Standards. Draft International Standards adopted by the technical committees are circulated to the member bodies for voting. Publication as an International Standard requires approval by at least 75 % of the member bodies casting a vote.

Attention is drawn to the possibility that some of the elements of this document may be the subject of patent rights. ISO shall not be held responsible for identifying any or all such patent rights.

ISO 16163 was prepared by Technical Committee ISO/TC 17, *Steel*, Subcommittee SC 12, *Continuous mill flat rolled products*.

This fourth edition cancels and replaces the third edition (ISO 16163:2010), which has been technically revised.



# Continuously hot-dipped coated steel sheet products — Dimensional and shape tolerances

## 1 Scope

This International Standard applies to dimensional and shape tolerances for all continuously hot-dipped coated steel sheet products.

## 2 Dimensional tolerances

Dimensional tolerances are given in Tables 1 to 9.

**Table 1 — Thickness tolerances for commercial, drawing, drawing aluminium-killed, extra deep drawing stabilized interstitial free, and structural quality coils and cut lengths**

Dimensions and tolerances in millimetres

Specified width	Thickness tolerances <sup>a,b,c,d,e,f,g</sup> for specified thicknesses										
	≤ 0,4	> 0,4 ≤ 0,6	> 0,6 ≤ 0,8	> 0,8 ≤ 1,0	> 1,0 ≤ 1,2	> 1,2 ≤ 1,6	> 1,6 ≤ 2,0	> 2,0 ≤ 2,5	> 2,5 ≤ 3,0	> 3,0 ≤ 4,0	> 4,0 ≤ 5,0
600 ≤ 1 200	±0,04	±0,05	±0,06	±0,08	±0,09	±0,10	±0,12	±0,15	±0,16	±0,18	±0,19
> 1 200 ≤ 1 500	±0,05	±0,06	±0,06	±0,08	±0,09	±0,11	±0,13	±0,15	±0,17	±0,19	±0,21
> 1 500 ≤ 1 800	—	±0,07	±0,07	±0,09	±0,11	±0,13	±0,15	±0,17	±0,20	±0,22	±0,23

NOTE 1 Thicknesses up to 1,6 mm are generally produced with a cold-rolled substrate.

NOTE 2 When International Standards that reference this standard permit slitting sheet to less than 600 mm in width to be considered as sheet, tolerances shall be subject to agreement.

<sup>a</sup> Thickness tolerances for sheet in coil form are the same as for sheet supplied in cut lengths but, in cases where welds are present, the tolerances shall be double those given over a length of 15 m in the vicinity of the weld.

<sup>b</sup> Given the difference in tolerances and physical properties of hot-rolled and cold-rolled sheet products, the user and the supplier may negotiate a specific type of substrate. The relationship between the coating mass, in grams per square metre, and the thickness, in micrometres, can be retrieved from the respective standards.

<sup>c</sup> For specified strength levels of  $R_e = 360$  MPa and greater, tolerances are increased by 10 %, applying normal rounding-off procedures.

<sup>d</sup> Tolerances for grade 550 shall be as agreed upon between the purchaser and the manufacturer.

<sup>e</sup> Thickness is measured at any point on the sheet not less than 25 mm from a side edge.

<sup>f</sup> The specified thickness range captions apply as a specific value.

<sup>g</sup> The tolerances provided in this table are based on normal thickness (tolerance over and under). For ordered thicknesses other than nominal, the total tolerance is twice the tabled value and may be distributed as agreed upon between the buyer and seller.

**Table 2 — Thickness tolerances for commercial, drawing, drawing aluminium-killed, extra deep drawing (stabilized interstitial free) and structural quality coils and cut lengths — hot rolled substrate**

Dimensions and tolerances in millimetres

Specified width	Thickness tolerances <sup>a,b,c,d,e,f,g</sup> for specified thicknesses				
	≤ 2,0	> 2,0 ≤ 2,5	> 2,5 ≤ 3,0	> 3,0 ≤ 4,0	> 4,0 ≤ 5,0
600 ≤ 1 200	±0,14	±0,15	±0,16	±0,18	±0,20
> 1 200 ≤ 1 500	±0,15	±0,16	±0,18	±0,19	±0,22
> 1 500 ≤ 1 800	±0,15	±0,18	±0,20	±0,22	±0,23

NOTE 1 Thicknesses up to 1,6 mm are generally produced with a cold-rolled substrate.

NOTE 2 When International Standards that reference this standard permit slitting sheet to less than 600 mm in width to be considered as sheet, tolerances shall be subject to agreement.

<sup>a</sup> Thickness tolerances for sheet in coil form are the same as for sheets supplied in cut lengths but, in cases where welds are present, the tolerances shall be double those given over a length of 15 m in the vicinity of the weld.

<sup>b</sup> For specified strength levels of  $R_e = 360$  MPa and greater, tolerances are increased by 10 %, applying normal rounding-off procedures.

<sup>c</sup> Tolerances for grade 550 shall be as agreed upon between the purchaser and the manufacturer.

<sup>d</sup> Thickness is measured at any point on the sheet not less than 25 mm from a side edge.

<sup>e</sup> The relationship between the coating mass, in grams per square metre, and the thickness, in micrometres, can be retrieved from the respective standards.

<sup>f</sup> The specified thickness range captions apply as a specific value.

<sup>g</sup> The tolerances provided in this table are based on normal thickness (tolerance over and under). For ordered thicknesses other than nominal, the total tolerance is twice the tabled value and may be distributed as agreed upon between the buyer and seller.

**Table 3 — Width tolerances for coils and cut lengths, not resquared**

Dimensions and tolerances in millimetres

Specified width	Tolerance
≤ 1 500	+7 0
> 1 500 ≤ 1 800	+10 0

NOTE For resquared material, more restrictive tolerances are subject to negotiation.

**Table 4 — Length tolerances for cut lengths, not resquared**

Dimensions and tolerances in millimetres

Specified length	Tolerance
≤ 3 000	+20 0
> 3 000 ≤ 6 000	+30 0
> 6 000	+0,5 % × length 0

NOTE For resquared material, more restrictive tolerances are subject to negotiation.



**Table 5 — Camber tolerances for coils and cut lengths, not resquared**

Dimensions and tolerances in millimetres

Form	Camber tolerance
Coils	20 in any 5 000 length
Cut lengths	0,4 % × length

NOTE Camber is the greatest deviation of a side edge from a straight line, the measurement being taken on the concave side with a straight edge as shown in Figure 1. For resquared material, more restrictive tolerances are subject to negotiation.

**Table 6 — Out-of-square tolerance for cut lengths, not resquared**

Dimensions	Out-of-square tolerance
All thicknesses and all sizes	0,7 % x width

NOTE Out-of-square is the greatest deviation of an end edge from a straight line, at right angles to a side and touching one corner as shown in Figure 2. It can also be measured as one-half the difference between the diagonals of a cut length sheet.

**Table 7 — Out-of-square tolerances for resquared material**

Dimensions and tolerances in millimetres

Specified length	Specified width	Out-of-square tolerance
≤ 3 000	≤ 1 200	+1 0
	> 1 200	+2 0
> 3 000	All widths	+2 0

NOTE Out-of-square is the greatest deviation of an end edge from a straight line at right angles to a side and touching one corner as shown in Figure 2. It can also be measured as one-half the difference between the diagonals of the cut length sheet. When measuring material ordered to resquared tolerances, consideration may have to be given to extreme variations in temperature.

**Table 8 — Standard flatness tolerances for cut lengths**

Dimensions and tolerances in millimetres

Specified thickness	Specified width	Flatness tolerance Specified strength level of $R_e$		
		< 220 MPa	$\geq 220 \leq 340$ MPa	> 340 MPa
$\leq 0,7$	$\leq 1\ 200$	14	17	20
	$> 1\ 200 \leq 1\ 500$	17	20	23
	$> 1\ 500$	21	24	29
$> 0,7 \leq 1,2$	$\leq 1\ 200$	12	15	18
	$> 1\ 200 \leq 1\ 500$	14	17	21
	$> 1\ 500$	19	22	27
$> 1,2 \leq 2,0$	$\leq 1\ 200$	12	12	18
	$> 1\ 200 \leq 1\ 500$	14	15	21
	$> 1\ 500$	19	21	27
$> 2,0 \leq 5,0$	$\leq 1\ 200$	16	16	20
	$> 1\ 200 \leq 1\ 500$	20	20	30
	$> 1\ 500$	25	25	40

NOTE 1 This table also applies to sheet cut to length from coils by the customer when agreed-upon flattening procedures are performed.

NOTE 2 Maximum deviation from a flat horizontal surface: with the sheet lying under its own weight on a flat surface, the maximum distance between the lower surface of the sheet and the flat horizontal surface is the maximum deviation from flatness as shown in Figure 3.

**Table 9 — Restricted flatness tolerances for cut lengths**

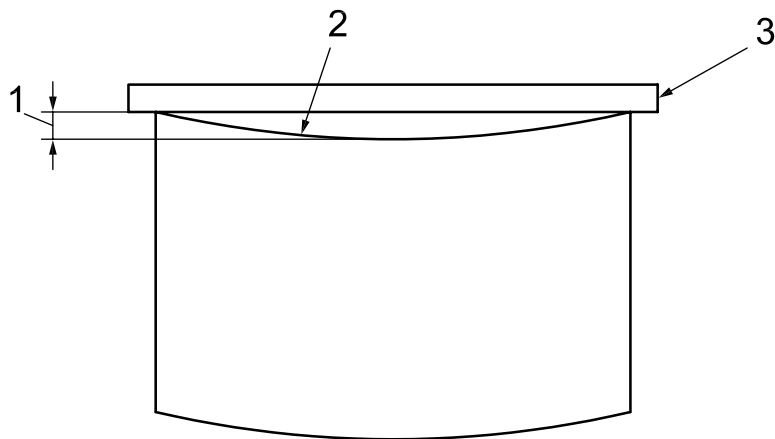
Dimensions and tolerances in millimetres

Specified thickness	Specified width	Flatness tolerance Specified strength level of $R_e$		
		< 220 MPa	$\geq 220 \leq 340$ MPa	> 340 MPa
$\leq 0,7$	$\leq 1\ 200$	7	10	—
	$> 1\ 200 \leq 1\ 500$	8	11	—
	$> 1\ 500$	10	14	—
$> 0,7 \leq 1,2$	$\leq 1\ 200$	6	8	—
	$> 1\ 200 \leq 1\ 500$	7	10	—
	$> 1\ 500$	9	12	—
$> 1,2 \leq 2,0$	$\leq 1\ 200$	6	7	—
	$> 1\ 200 \leq 1\ 500$	7	8	—
	$> 1\ 500$	8	11	—
$> 2,0 \leq 5,0$	$\leq 1\ 200$	6	7	—
	$> 1\ 200 \leq 1\ 500$	7	8	—
	$> 1\ 500$	8	11	—

NOTE 1 This table also applies to sheet cut to length from coils by the customer when agreed-upon flattening procedures are performed.

NOTE 2 Maximum deviation from a flat horizontal surface: with the sheet lying under its own weight on a flat surface, the maximum distance between the lower surface of the sheet and the flat horizontal surface is the maximum deviation from flatness as shown in Figure 3.

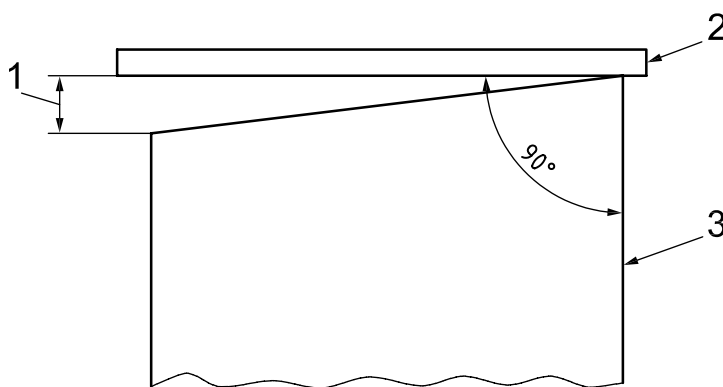
More restrictive tolerances may be negotiated.



**Key**

- 1 edge camber
- 2 side edge (concave side)
- 3 straight edge

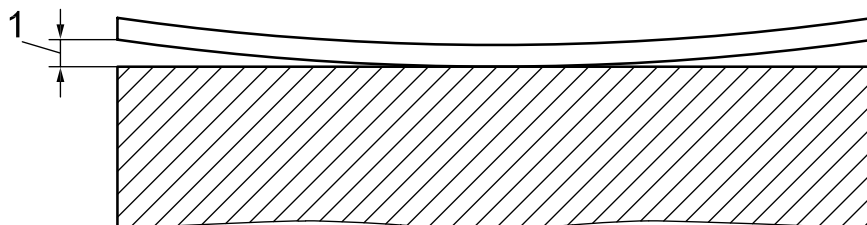
**Figure 1 — Measurement of camber**



**Key**

- 1 out-of-square
- 2 straight edge
- 3 side edge

**Figure 2 — Measurement of out-of-square**



**Key**

- 1 maximum deviation from flatness

**Figure 3 — Measurement of flatness**





# British Standards Institution (BSI)

BSI is the national body responsible for preparing British Standards and other standards-related publications, information and services.

BSI is incorporated by Royal Charter. British Standards and other standardization products are published by BSI Standards Limited.

## About us

We bring together business, industry, government, consumers, innovators and others to shape their combined experience and expertise into standards-based solutions.

The knowledge embodied in our standards has been carefully assembled in a dependable format and refined through our open consultation process. Organizations of all sizes and across all sectors choose standards to help them achieve their goals.

## Information on standards

We can provide you with the knowledge that your organization needs to succeed. Find out more about British Standards by visiting our website at [bsigroup.com/standards](http://bsigroup.com/standards) or contacting our Customer Services team or Knowledge Centre.

## Buying standards

You can buy and download PDF versions of BSI publications, including British and adopted European and international standards, through our website at [bsigroup.com/shop](http://bsigroup.com/shop), where hard copies can also be purchased.

If you need international and foreign standards from other Standards Development Organizations, hard copies can be ordered from our Customer Services team.

## Subscriptions

Our range of subscription services are designed to make using standards easier for you. For further information on our subscription products go to [bsigroup.com/subscriptions](http://bsigroup.com/subscriptions).

With **British Standards Online (BSOL)** you'll have instant access to over 55,000 British and adopted European and international standards from your desktop. It's available 24/7 and is refreshed daily so you'll always be up to date.

You can keep in touch with standards developments and receive substantial discounts on the purchase price of standards, both in single copy and subscription format, by becoming a **BSI Subscribing Member**.

**PLUS** is an updating service exclusive to BSI Subscribing Members. You will automatically receive the latest hard copy of your standards when they're revised or replaced.

To find out more about becoming a BSI Subscribing Member and the benefits of membership, please visit [bsigroup.com/shop](http://bsigroup.com/shop).

With a **Multi-User Network Licence (MUNL)** you are able to host standards publications on your intranet. Licences can cover as few or as many users as you wish. With updates supplied as soon as they're available, you can be sure your documentation is current. For further information, email [bsmusales@bsigroup.com](mailto:bsmusales@bsigroup.com).

## BSI Group Headquarters

389 Chiswick High Road London W4 4AL UK

## Revisions

Our British Standards and other publications are updated by amendment or revision.

We continually improve the quality of our products and services to benefit your business. If you find an inaccuracy or ambiguity within a British Standard or other BSI publication please inform the Knowledge Centre.

## Copyright

All the data, software and documentation set out in all British Standards and other BSI publications are the property of and copyrighted by BSI, or some person or entity that owns copyright in the information used (such as the international standardization bodies) and has formally licensed such information to BSI for commercial publication and use. Except as permitted under the Copyright, Designs and Patents Act 1988 no extract may be reproduced, stored in a retrieval system or transmitted in any form or by any means – electronic, photocopying, recording or otherwise – without prior written permission from BSI. Details and advice can be obtained from the Copyright & Licensing Department.

## Useful Contacts:

### Customer Services

**Tel:** +44 845 086 9001

**Email (orders):** [orders@bsigroup.com](mailto:orders@bsigroup.com)

**Email (enquiries):** [cservices@bsigroup.com](mailto:cservices@bsigroup.com)

### Subscriptions

**Tel:** +44 845 086 9001

**Email:** [subscriptions@bsigroup.com](mailto:subscriptions@bsigroup.com)

### Knowledge Centre

**Tel:** +44 20 8996 7004

**Email:** [knowledgecentre@bsigroup.com](mailto:knowledgecentre@bsigroup.com)

### Copyright & Licensing

**Tel:** +44 20 8996 7070

**Email:** [copyright@bsigroup.com](mailto:copyright@bsigroup.com)



...making excellence a habit.™