

BS ISO 15501-2:2016



BSI Standards Publication

# Road vehicles — Compressed natural gas (CNG) fuel systems

Part 2: Test methods

**National foreword**

This British Standard is the UK implementation of ISO 15501-2:2016.

The UK participation in its preparation was entrusted to Technical Committee GSE/40, Gas supply equipment for natural gas vehicles.

A list of organizations represented on this committee can be obtained on request to its secretary.

This publication does not purport to include all the necessary provisions of a contract. Users are responsible for its correct application.

© The British Standards Institution 2016.  
Published by BSI Standards Limited 2016

ISBN 978 0 580 89439 8

ICS 43.060.40

**Compliance with a British Standard cannot confer immunity from legal obligations.**

This British Standard was published under the authority of the Standards Policy and Strategy Committee on 30 November 2016.

**Amendments/corrigenda issued since publication**

Date	Text affected
------	---------------

---

---

---

**Road vehicles — Compressed natural  
gas (CNG) fuel systems —**

**Part 2:  
Test methods**

*Véhicules routiers — Systèmes d'alimentation en gaz naturel  
comprimé (GNC) —*

*Partie 2: Méthodes d'essai*





## **COPYRIGHT PROTECTED DOCUMENT**

© ISO 2016, Published in Switzerland

All rights reserved. Unless otherwise specified, no part of this publication may be reproduced or utilized otherwise in any form or by any means, electronic or mechanical, including photocopying, or posting on the internet or an intranet, without prior written permission. Permission can be requested from either ISO at the address below or ISO's member body in the country of the requester.

ISO copyright office  
Ch. de Blandonnet 8 • CP 401  
CH-1214 Vernier, Geneva, Switzerland  
Tel. +41 22 749 01 11  
Fax +41 22 749 09 47  
copyright@iso.org  
www.iso.org

# Contents

	Page
<b>Foreword</b> .....	<b>iv</b>
<b>1 Scope</b> .....	<b>1</b>
<b>2 Normative references</b> .....	<b>1</b>
<b>3 Terms and definitions</b> .....	<b>1</b>
<b>4 Test methods</b> .....	<b>2</b>
4.1 Cylinder mounting strength tests.....	2
4.1.1 General.....	2
4.1.2 Inertia test.....	2
4.1.3 Static test.....	2
4.1.4 Alternative method.....	3
4.1.5 Acceptance criteria.....	3
4.2 Leak test.....	3
4.3 Functional test.....	4
4.3.1 Main shut-off valve test.....	4
4.3.2 Receptacle clearance test.....	4
4.4 Receptacle mounting tests.....	4
<b>Annex A (informative) Engineering experience for the mounting of steel cylinders</b> .....	<b>5</b>
<b>Bibliography</b> .....	<b>9</b>

## Foreword

ISO (the International Organization for Standardization) is a worldwide federation of national standards bodies (ISO member bodies). The work of preparing International Standards is normally carried out through ISO technical committees. Each member body interested in a subject for which a technical committee has been established has the right to be represented on that committee. International organizations, governmental and non-governmental, in liaison with ISO, also take part in the work. ISO collaborates closely with the International Electrotechnical Commission (IEC) on all matters of electrotechnical standardization.

The procedures used to develop this document and those intended for its further maintenance are described in the ISO/IEC Directives, Part 1. In particular the different approval criteria needed for the different types of ISO documents should be noted. This document was drafted in accordance with the editorial rules of the ISO/IEC Directives, Part 2 (see [www.iso.org/directives](http://www.iso.org/directives)).

Attention is drawn to the possibility that some of the elements of this document may be the subject of patent rights. ISO shall not be held responsible for identifying any or all such patent rights. Details of any patent rights identified during the development of the document will be in the Introduction and/or on the ISO list of patent declarations received (see [www.iso.org/patents](http://www.iso.org/patents)).

Any trade name used in this document is information given for the convenience of users and does not constitute an endorsement.

For an explanation on the meaning of ISO specific terms and expressions related to conformity assessment, as well as information about ISO's adherence to the World Trade Organization (WTO) principles in the Technical Barriers to Trade (TBT) see the following URL: [www.iso.org/iso/foreword.html](http://www.iso.org/iso/foreword.html).

The committee responsible for this document is ISO/TC 22, *Road vehicles*, Subcommittee SC 41, *Specific aspects for gaseous fuels*.

This second edition cancels and replaces the first edition (ISO 15501-2:2001), which has been technically revised.

A list of all parts in the ISO 15501 series can be found on the ISO website.

# Road vehicles — Compressed natural gas (CNG) fuel systems —

## Part 2: Test methods

### 1 Scope

This document specifies the test methods for checking the minimum safety requirements specified in ISO 15501-1. It is applicable to the functionality of the fuel systems designed to operate on compressed natural gas of motor vehicles as defined in ISO 3833.

NOTE For tests of individual components, refer to the parts of ISO 15500, ISO 14469 and ISO 11439.

### 2 Normative references

The following documents are referred to in the text in such a way that some or all of their content constitutes requirements of this document. For dated references, only the edition indicated applies. For undated references, the latest edition of the referenced document (including any amendments) applies.

ISO 6487, *Road vehicles — Measurement techniques in impact tests — Instrumentation*

ISO 11439, *Gas cylinders — High pressure cylinders for the on-board storage of natural gas as a fuel for automotive vehicles*

ISO 15501-1:—<sup>1)</sup>, *Road vehicles — Compressed natural gas (CNG) fuel systems — Part 1: Safety requirements*

### 3 Terms and definitions

For the purposes of this document, the terms and definitions given in ISO 15500-1, ISO 15501-1 and the following apply.

ISO and IEC maintain terminological databases for use in standardization at the following addresses:

- IEC Electropedia: available at <http://www.electropedia.org/>
- ISO Online browsing platform: available at <http://www.iso.org/obp>

#### 3.1

##### **notified body**

government appointed body mandated to approve or disapprove

EXAMPLE Laboratories, universities and companies.

---

1) Under preparation.

## 4 Test methods

### 4.1 Cylinder mounting strength tests

#### 4.1.1 General

When a vehicle is equipped with several cylinders, they should preferably be tested as a unit.

When groups of cylinders are installed on a vehicle such that they are separately anchored to the original structure of the vehicle, then each separate group of cylinders may be tested individually.

When performing these tests, accessories and piping shall not contribute to reinforcing the cylinder mounting.

The requirements of ISO 15501-1:—, 4.4.3, shall be verified by the test specified in [4.1.2](#), [4.1.3](#), [4.1.4](#) or [4.1.5](#).

#### 4.1.2 Inertia test

The cylinder or cylinders to be tested shall be mounted on the vehicle body or a part of the vehicle body, according to the specifications of the original equipment manufacturer (OEM) or after-market converter.

The vehicle body or part of the vehicle body shall be firmly anchored to the test trolley. The method used for anchoring the vehicle body to the test trolley shall not result in reinforcement of the cylinder anchorages or the part of the vehicle structure participating in anchoring the cylinder or cylinders. Testing performed with a trolley shall geometrically match original vehicle conditions.

The test shall be carried out using the following procedure.

- a) Fill the cylinder or cylinders with a mass corresponding to at least 90 % of the mass of natural gas capacity at 20 MPa (200 bar)<sup>2)</sup> and 15 °C. The gas density for these conditions shall be considered to be equal to 0,2 kg/l.
- b) Measure the trolley deceleration with data channels of channel frequency class (CFC) 60 corresponding to the characteristics given in ISO 6487.
- c) Maintain the value of the deceleration as defined in ISO 15501-1, for the vehicle category, for at least 30 ms.

#### 4.1.3 Static test

This test may be carried out on a vehicle body or on a part of a vehicle body.

The cylinder or cylinders to be tested shall be mounted on the vehicle body or on part of the vehicle body, according to OEM or after-market converter specifications.

The method used for anchoring the vehicle body or the part of the vehicle body in this test shall not

- submit the anchorages and anchorage area (300 mm diameter circle) to abnormal stresses and/or deformation, or
- result in reinforcement of the cylinder or cylinders or cylinder anchorages, or the part of the vehicle structure participating in anchoring the cylinder or cylinders.

---

2) 1 bar = 0,1 MPa = 10<sup>5</sup>Pa; 1 MPa = 1 N/mm<sup>2</sup>.



The traction force is defined by [Formula \(1\)](#):

$$F = (M_c + 0,9 \rho V)a \quad (1)$$

where

- $F$  is the traction force, in newtons;
- $M_c$  is the mass of empty cylinder(s), in kilograms;
- $a$  is the acceleration as defined in ISO 15501-1:—, 4.4.3;
- $V$  is the volume of the cylinder(s) in litres;
- $\rho$  is the density of CNG at 20 MPa 0,2 kg/l.

The test shall be carried out using the following procedure.

- a) Apply the traction force to the cylinder or cylinders' centre of gravity in the specified directions within 0,2 s.
- b) Hold the specified traction force for at least 0,2 s.
- c) Release the traction force.

#### 4.1.4 Alternative method

If a vehicle crash test is performed according to international or equivalent regulations, the requirements of ISO 15501-1, are considered to have been met.

A calculation method can be used instead of practical testing if its equivalence can be demonstrated by the applicant for approval.

#### 4.1.5 Acceptance criteria

##### 4.1.5.1 By testing

At the conclusion of either of these tests, the cylinder or cylinders shall

- remain attached to the vehicle body or part of the vehicle body, and
- not interfere with the seat structure.

##### 4.1.5.2 By calculation

Appropriate calculations shall be carried out, depending on the individual technical parameters. The method of calculation shall be approved by a authority having jurisdiction.

##### 4.1.5.3 By engineering experience (steel cylinders)

For details of a practical means of compliance for steel cylinders (type 1 in accordance with ISO 11439), determined as a result of calculations and substantiated by experience over time, see [Annex A](#).

## 4.2 Leak test

This test may be conducted at ambient temperature. It shall be performed on each vehicle after installation.

- a) Fill the vehicle fuelling system upstream of the first-stage regulator with an appropriate gas at 1 MPa (10 bar)  $\pm$  0,1 MPa.

- b) Check all connections with a gas detector, foam-producing liquid or any other equivalent method. No bubbles shall be detected during three minutes or the leak rate for each connection shall be less than 20 cm<sup>3</sup>/h (normal).

Perform this test again with the system upstream of the first regulator at 20 MPa (200 bar) ± 1 MPa.

If the cylinder and its valve have already been leak tested, the leak test shall be performed with the cylinder valve closed.

Stop the test if any leakage occurs during the filling from 1 MPa (10 bar) to 20 MPa (200 bar). Where a leak is detected, it shall be rectified by first relieving any pressure, then resealing. The system shall then be re-tested.

### 4.3 Functional test

#### 4.3.1 Main shut-off valve test

The purpose of this test is to ensure that the main shut-off valve is in the closed position when

- the ignition key is off,
- the engine stalls,
- cranking on fuel other than CNG, or
- the engine is not running on CNG.

Any appropriate method may be used to ensure test results.

#### 4.3.2 Receptacle clearance test

Ensure that free space around the receptacle conforms to ISO 15501-1.

### 4.4 Receptacle mounting tests

This test can be performed at ambient temperature either on a vehicle, or as a bench test using a CNG fuel system equivalent in geometry and anchoring to the vehicle. In either case, connect the nozzle to the receptacle and pressurize the CNG fuel system to service pressure.

The gas tightness of the CNG fuel system shall not be affected after

- a) a 670 N pull is applied along the longitudinal axis of the receptacle, and
- b) a moment of 200 N·m is applied in a worst case manner.

Following the above test, the gas tightness of CNG fuelling system shall be checked with an appropriate leak testing method.

## Annex A (informative)

### Engineering experience for the mounting of steel cylinders

#### A.1 Single cylinder

- a) There should be at least four points of attachment to the vehicle structure, the distance between which should be sufficient to ensure the stability of the cylinder.
- b) Where the cylinder is anchored to sheet metal, the sheet metal should be reinforced at each attachment point with metal plates of areas of no less than 3 600 mm<sup>2</sup> and a thickness of no less than 2,5 mm. Any such reinforcement plates should be contoured to the shape of the sheet metal or chassis rail. It is preferred that a round washer be used, but where a square plate is fitted the corners should be radiused to at least 0,5 mm and the bolt hole should be positioned in the centre of the plate/washer. Where the bolt hole is not central in the plate, the nearest edge should be bent to form an L-section for stiffening.

Flat areas, even if ribbed, can be unsuitable for mountings without substantial reinforcement, because of flexing and fatigue. Anchoring should be to structural members where possible.

- c) The mounting method should not significantly weaken the vehicle structure.
- d) Where anchorage bolts pass through a hollow section, a spacer tube should be provided to prevent collapse of that section under load.
- e) All fasteners should have a diameter of no less than that shown in [Table A.1](#) and should comply with property class 8.8 in accordance with ISO 898-1.
- f) Where clamping bands are used, at least two steel bands should be provided, the dimensions of which should be no less than those shown in [Table A.1](#). However, in the case of multiple cylinders mounted together, [Table A.1](#) does not apply.
- g) Where parts are joined (e.g. by welding a stud to a band), the strength of the joint should be not less than the strength of either component.
- h) Where the attachment is by means of clamping bands, there should be a positive means of resisting longitudinal end loads on the cylinder due to the vehicle impact. The friction grip of the clamping bands is not normally an acceptable means of endwise retention unless the clamping bands can be demonstrated to meet the requirement of ISO 15501-1. An acceptable form of retention is to secure a 200 mm length of 50 × 50 structural steel angle to the vehicle at each end of the cylinder. Each length of steel angle should be at right angles to the longitudinal axis of the cylinder with one leg vertical and fitted so as to provide a gap of 7 mm ± 3 mm to the end of the cylinder. The other leg of each angle should be secured to the vehicle by at least two 10 mm diameter bolts. Where suitable body or structural members of the vehicle construction are available and these components are capable of withstanding the required loading, they may be used, provided the 7 mm ± 3 mm gap is maintained.

#### A.2 Multiple cylinders

For installations with more than one cylinder, a specific design may be required for the mounting attachment.

**Table A.1 — Dimensions of attachment**

Cylinder capacity L		Band dimensions (minimum nominal size)	Bolt or stud diameter for band or flange mountings (minimum nominal size)
Over	Up to and including	mm	mm
0	100	30 × 3	10
100	150	50 × 6	12
150	—	Approved by a notified body	

NOTE Some countries accept band dimensions of 30 mm × 2 mm for cylinders up to and including 30 l capacity.

### A.3 Cylinder mountings

[Figure A.1](#) shows examples of typical preferred arrangements, while [Figure A.2](#) shows unacceptable arrangements.

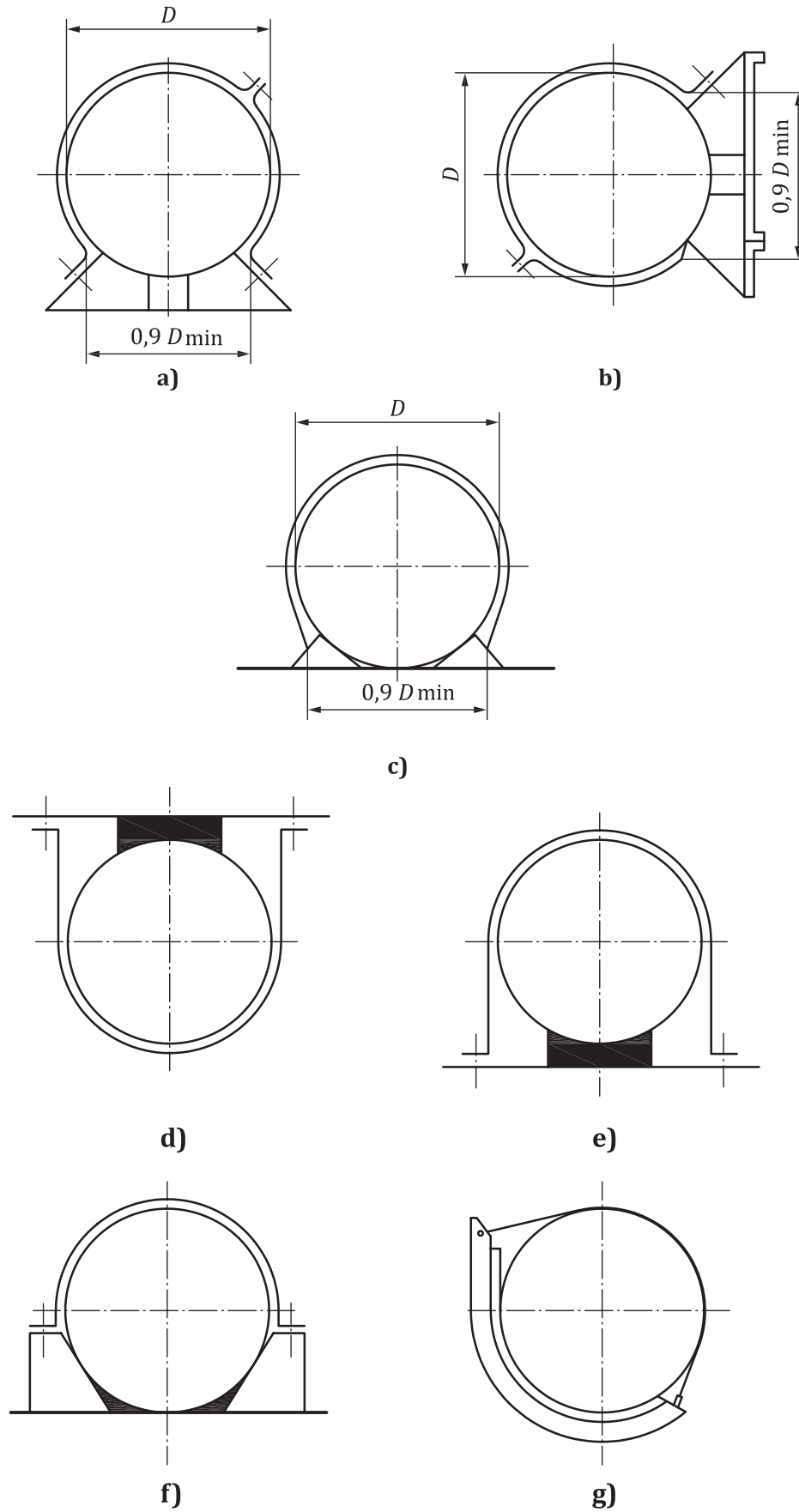
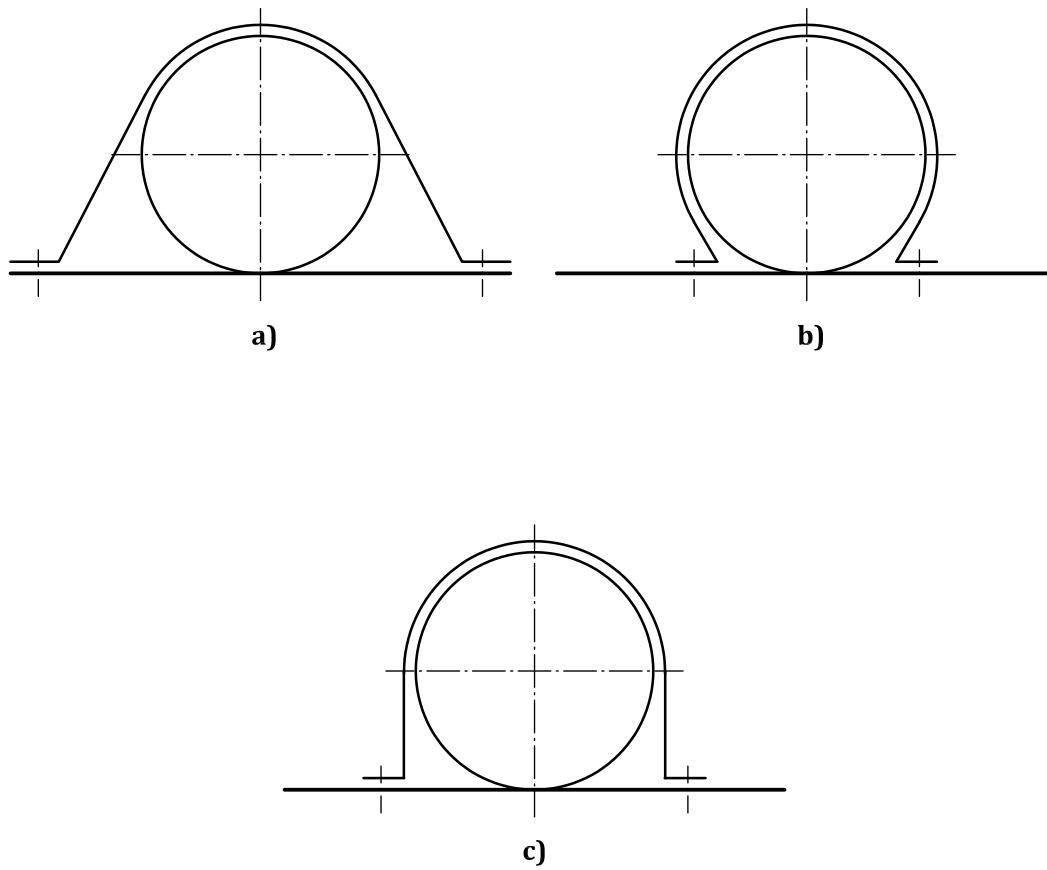


Figure A.1 — Typical preferred arrangements



**Figure A.2 — Unacceptable arrangements (non-exhaustive examples)**

## Bibliography

- [1] ISO 898-1, *Mechanical properties of fasteners made of carbon steel and alloy steel — Part 1: Bolts, screws and studs with specified property classes — Coarse thread and fine pitch thread*
- [2] ISO 3833, *Road vehicles — Types — Terms and definitions*
- [3] ISO 14469 (all parts), *Road vehicles — Compressed natural gas (CNG) refuelling connector*
- [4] ISO 15500 (all parts), *Road vehicles — Compressed natural gas (CNG) fuel system components*







# British Standards Institution (BSI)

BSI is the national body responsible for preparing British Standards and other standards-related publications, information and services.

BSI is incorporated by Royal Charter. British Standards and other standardization products are published by BSI Standards Limited.

## About us

We bring together business, industry, government, consumers, innovators and others to shape their combined experience and expertise into standards-based solutions.

The knowledge embodied in our standards has been carefully assembled in a dependable format and refined through our open consultation process. Organizations of all sizes and across all sectors choose standards to help them achieve their goals.

## Information on standards

We can provide you with the knowledge that your organization needs to succeed. Find out more about British Standards by visiting our website at [bsigroup.com/standards](http://bsigroup.com/standards) or contacting our Customer Services team or Knowledge Centre.

## Buying standards

You can buy and download PDF versions of BSI publications, including British and adopted European and international standards, through our website at [bsigroup.com/shop](http://bsigroup.com/shop), where hard copies can also be purchased.

If you need international and foreign standards from other Standards Development Organizations, hard copies can be ordered from our Customer Services team.

## Copyright in BSI publications

All the content in BSI publications, including British Standards, is the property of and copyrighted by BSI or some person or entity that owns copyright in the information used (such as the international standardization bodies) and has formally licensed such information to BSI for commercial publication and use.

Save for the provisions below, you may not transfer, share or disseminate any portion of the standard to any other person. You may not adapt, distribute, commercially exploit, or publicly display the standard or any portion thereof in any manner whatsoever without BSI's prior written consent.

## Storing and using standards

Standards purchased in soft copy format:

- A British Standard purchased in soft copy format is licensed to a sole named user for personal or internal company use only.
- The standard may be stored on more than 1 device provided that it is accessible by the sole named user only and that only 1 copy is accessed at any one time.
- A single paper copy may be printed for personal or internal company use only.

Standards purchased in hard copy format:

- A British Standard purchased in hard copy format is for personal or internal company use only.
- It may not be further reproduced – in any format – to create an additional copy. This includes scanning of the document.

If you need more than 1 copy of the document, or if you wish to share the document on an internal network, you can save money by choosing a subscription product (see 'Subscriptions').

## Reproducing extracts

For permission to reproduce content from BSI publications contact the BSI Copyright & Licensing team.

## Subscriptions

Our range of subscription services are designed to make using standards easier for you. For further information on our subscription products go to [bsigroup.com/subscriptions](http://bsigroup.com/subscriptions).

With **British Standards Online (BSOL)** you'll have instant access to over 55,000 British and adopted European and international standards from your desktop. It's available 24/7 and is refreshed daily so you'll always be up to date.

You can keep in touch with standards developments and receive substantial discounts on the purchase price of standards, both in single copy and subscription format, by becoming a **BSI Subscribing Member**.

**PLUS** is an updating service exclusive to BSI Subscribing Members. You will automatically receive the latest hard copy of your standards when they're revised or replaced.

To find out more about becoming a BSI Subscribing Member and the benefits of membership, please visit [bsigroup.com/shop](http://bsigroup.com/shop).

With a **Multi-User Network Licence (MUNL)** you are able to host standards publications on your intranet. Licences can cover as few or as many users as you wish. With updates supplied as soon as they're available, you can be sure your documentation is current. For further information, email [subscriptions@bsigroup.com](mailto:subscriptions@bsigroup.com).

## Revisions

Our British Standards and other publications are updated by amendment or revision.

We continually improve the quality of our products and services to benefit your business. If you find an inaccuracy or ambiguity within a British Standard or other BSI publication please inform the Knowledge Centre.

## Useful Contacts

### Customer Services

**Tel:** +44 345 086 9001

**Email (orders):** [orders@bsigroup.com](mailto:orders@bsigroup.com)

**Email (enquiries):** [cservices@bsigroup.com](mailto:cservices@bsigroup.com)

### Subscriptions

**Tel:** +44 345 086 9001

**Email:** [subscriptions@bsigroup.com](mailto:subscriptions@bsigroup.com)

### Knowledge Centre

**Tel:** +44 20 8996 7004

**Email:** [knowledgecentre@bsigroup.com](mailto:knowledgecentre@bsigroup.com)

### Copyright & Licensing

**Tel:** +44 20 8996 7070

**Email:** [copyright@bsigroup.com](mailto:copyright@bsigroup.com)

### BSI Group Headquarters

389 Chiswick High Road London W4 4AL UK