



BSI Standards Publication

**Foil bearings —
Guidelines for testing
of the performance of
foil journal bearings —
Testing of load
capacity, friction
coefficient and lifetime**

National foreword

This British Standard is the UK implementation of ISO 13939:2012.

The UK participation in its preparation was entrusted to Technical Committee MCE/12, Plain bearings.

A list of organizations represented on this committee can be obtained on request to its secretary.

This publication does not purport to include all the necessary provisions of a contract. Users are responsible for its correct application.

© The British Standards Institution 2013.

Published by BSI Standards Limited 2013.

ISBN 978 0 580 75458 6

ICS 21.100.10

Compliance with a British Standard cannot confer immunity from legal obligations.

This British Standard was published under the authority of the Standards Policy and Strategy Committee on 31 January 2013.

Amendments issued since publication

Amd. No.	Date	Text affected
-----------------	-------------	----------------------

INTERNATIONAL STANDARD

ISO
13939

First edition
2012-08-01

Foil bearings — Guidelines for testing of the performance of foil journal bearings — Testing of load capacity, friction coefficient and lifetime

*Paliers-feuilles — Lignes directrices pour les essais de performance
des paliers radiaux à feuilles non lubrifiés — Essais de la capacité de
charge, du coefficient de friction et de la durée de vie*



Reference number
ISO 13939:2012(E)



COPYRIGHT PROTECTED DOCUMENT

© ISO 2012

All rights reserved. Unless otherwise specified, no part of this publication may be reproduced or utilized in any form or by any means, electronic or mechanical, including photocopying and microfilm, without permission in writing from either ISO at the address below or ISO's member body in the country of the requester.

ISO copyright office
Case postale 56 • CH-1211 Geneva 20
Tel. + 41 22 749 01 11
Fax + 41 22 749 09 47
E-mail copyright@iso.org
Web www.iso.org

Published in Switzerland

Contents

Page

Foreword	iv
Introduction	v
1 Scope	1
2 Symbols	1
2.1 Basic characters — Roman alphabet	2
2.2 Basic characters — Greek alphabet	2
2.3 Additional signs — Subscripts	2
2.4 Additional signs — Superscript (shown on X)	3
3 Purpose of test	3
4 Test conditions	3
4.1 General	3
4.2 Design of test facility	3
4.3 Installation of sensors	3
4.4 Calculation of bearing torque and loads	5
4.5 Test specimens	5
5 Test methods	6
5.1 Principle	6
5.2 Start-stop test cycle and evaluation of the take-off speed	6
5.3 Evaluation of static load capacity	7
5.4 Calculation of non-dimensional static load capacity	8
5.5 Coefficient of bearing load capacity	8
6 Clearance and eccentricity ratio	8
7 Friction coefficient	9
8 Durability test and lifetime	10
8.1 Test procedure	10
8.2 Determination of lifetime	10
9 Test report	10
Annex A (normative) The configuration of a typical foil journal bearing	12
Annex B (informative) Test report	14
Bibliography	16

Foreword

ISO (the International Organization for Standardization) is a worldwide federation of national standards bodies (ISO member bodies). The work of preparing International Standards is normally carried out through ISO technical committees. Each member body interested in a subject for which a technical committee has been established has the right to be represented on that committee. International organizations, governmental and non-governmental, in liaison with ISO, also take part in the work. ISO collaborates closely with the International Electrotechnical Commission (IEC) on all matters of electrotechnical standardization.

International Standards are drafted in accordance with the rules given in the ISO/IEC Directives, Part 2.

The main task of technical committees is to prepare International Standards. Draft International Standards adopted by the technical committees are circulated to the member bodies for voting. Publication as an International Standard requires approval by at least 75 % of the member bodies casting a vote.

Attention is drawn to the possibility that some of the elements of this document may be the subject of patent rights. ISO shall not be held responsible for identifying any or all such patent rights.

ISO 13939 was prepared by Technical Committee ISO/TC 123, *Plain bearings*, Subcommittee SC 7, *Special types of plain bearings*.

Introduction

Foil bearing is a special type of plain bearing; at the time of publication of this International Standard, no International Standards on foil bearings exist. This International Standard is an attempt to elaborate a test method for the basic performance of a foil bearing.

Foil bearings — Guidelines for testing of the performance of foil journal bearings — Testing of load capacity, friction coefficient and lifetime

1 Scope

This International Standard describes a method of comparing the performance test results of foil journal bearings, which are lubricated by air (gas) and supported by hydrodynamic force generated by the rotation of the rotating shaft. The test procedure proposed in this International Standard aims to predict and evaluate the static load capacity, friction coefficient and lifetime of the foil journal bearing, and compare the results with those occurring under different test conditions, i.e. dimensions of a foil bearing, rotational speed of a shaft, pressure and humidity of surroundings and so on. The magnitude of the static load capacity can change according to the test setting, as the test conditions can be changed.

The test method described in this International Standard has the following application coverage:

- a) the criterion of the static load capacity is the steady-state, i.e. it is applied in a limited operating condition with a uniform magnitude, load direction and rotational speed;
- b) the evaluation procedure can be applied only if the foil journal bearing is under a uniform rotating inertia at an arbitrary rotational speed;
- c) the dynamic load with a time-variant magnitude and direction is not taken into consideration;
- d) for the purposes of this International Standard (these guidelines), the configuration of a typical foil journal bearing is presented in Annex A.

2 Symbols

For the purposes of this document, the following symbols apply.

2.1 Basic characters — Roman alphabet

Table 1 — Symbol — Basic characters — Roman alphabet

Symbol	Description	Unit
C	Clearance, coefficient	Micrometres, Non-dimensional
D	Diameter	Millimetres
d	Diameter	Millimetres
e	Eccentricity	Micrometres
F	Force	Newton
H	Height	Millimetres
h	Humidity	Percentage
L	Length, lifetime	Number of revolutions
p	Pressure	Newton per square millimetre
Ra	Surface roughness	Micrometres
r	Distance	Millimetres
T	Temperature, torque	Degrees Celsius, Newton- metres
t	Thickness	Millimetres
F_w	Mass, load	Newton

2.2 Basic characters — Greek alphabet

Table 2 — Symbol — Basic characters — Greek alphabet

Symbol	Description	Unit
ε	Eccentricity ratio	Non-dimensional
μ	Friction coefficient	Non-dimensional
ω	Rotational speed	Revolutions per minute

2.3 Additional signs — Subscripts

Table 3 — Symbol — Additional signs — Subscripts

Subscript	Description
a	Air (surrounding), average, applied
ah	Air in bearing housing
b	Bump foil, bearing
f	Top foil, friction
fs	Top foil surface
h	Housing
max	Maximum
n	Net
r	Radial, radius
R	Relative
to	Take-off
s	Steady-state, static

2.4 Additional signs — Superscript (shown on X)

Table 4 — Symbol — Additional signs — Superscript

Superscript	Description (shown on X)
\bar{X}	Non-dimensional value

3 Purpose of test

The primary purpose of the test is to measure and evaluate the static load capacity, friction coefficients and lifetime of the foil journal bearing. These are the primary performance metrics of the foil journal bearing as a mechanical element with a specific dimension. These are closely related to the performance of the mechanical systems to which the bearings are applied.

4 Test conditions

4.1 General

In order to compare the static load capacity, the test should be performed after the ambient pressure, temperature and humidity of the environment in which the bearing operates have reached a state of equilibrium. The bearing performance is obtained by measuring the bearing torque and the rotational speed of the shaft. In this case, the take-off speed, at which the shaft floats on the top foil without contact, may be observed. Bearing performance should be measured and compared at a rotational speed which is higher than the take-off speed.

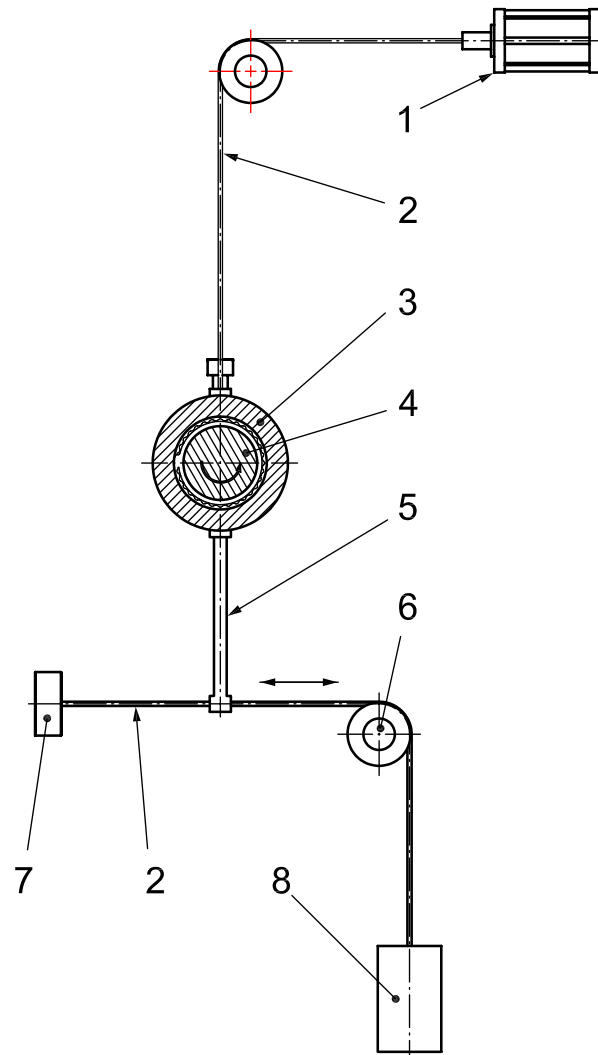
4.2 Design of test facility

The bearing test facility should be designed to control the relative position of the bearing in relation to the shaft. The bearing housing may be connected to a separate supporter, such as a spring or springs. Otherwise, a vibration-proof facility may be applied in order to prevent perturbation, which can have a severe effect on the test results. Also, excessive friction can have a severe effect on the test results due to misalignment of the bearing.

4.3 Installation of sensors

The equipment to measure the bearing torque and static load capacity of the foil journal bearings may be installed as shown in Figure 1. Using the measurement system clarified in Figure 1, the bearing torque and applied load may be measured and calculated as explained in 4.4.

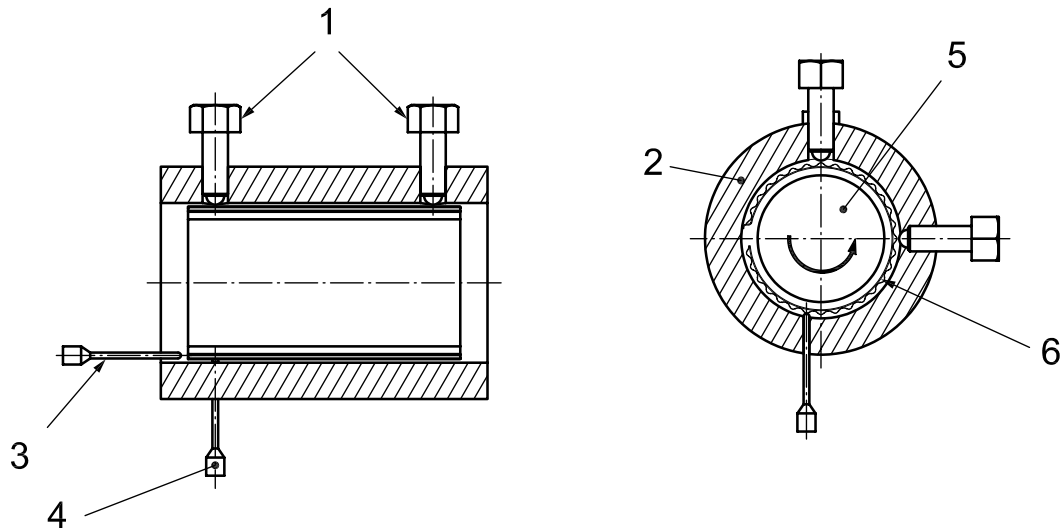
As shown in Figure 2, the displacement sensors are installed at right angles to each other at both ends of the bearing housing. The displacement of the shaft centre may be observed by measuring and comparing the values arrived at. The rotational speed of the shaft may be obtained by applying a fast Fourier transform (FFT) algorithm to the measured displacement data or by the use of a rotational speed meter. A thermocouple is installed inside the bearing housing to measure the temperatures of surrounding air (gas). To measure the surface temperature of a top foil, the thermocouple should be welded to the top foil surface.



Key

- 1 applied load
- 2 cable
- 3 deadweight housing
- 4 shaft
- 5 torque rod
- 6 pulley
- 7 load cell
- 8 counterweight preload

Figure 1 — Measurement system for the bearing torque and applied load



Key

- 1 displacement sensor
- 2 deadweight housing
- 3 thermocouple for measuring air temperature
- 4 thermocouple for measuring top foil surface temperature
- 5 shaft
- 6 top foil

Figure 2 — Installation of sensors

4.4 Calculation of bearing torque and loads

The friction force, F , may be measured using a load cell linked to the torque rod installed on the outside of the housing. Then, the bearing torque, T , generated by the rotation of the shaft is obtained as the product of the friction force, F , and the distance, r , between the two centres of the housing and load cell, as given by Formula (1):

$$T = F \times r \quad (1)$$

where

T is the bearing torque;

F is the friction force;

r is the distance between the housing centre and the sensor-linked location of the torque rod.

The net load, $F_{w,n}$, exerted on the foil journal bearing, as shown in Figure 1, is obtained by subtracting the applied load, $F_{w,a}$, measured from the load cell installed between the housing and the loading apparatus to the mass of the housing, $F_{w,h}$. Where the load is applied in the lower direction, the net load, $F_{w,n}$, is obtained by adding the mass of the housing, $F_{w,h}$, to the applied load, $F_{w,a}$.

4.5 Test specimens

The housing, bump foil, top foil and shaft comprising the foil journal bearing may be designed and fabricated according to the purpose of use.

5 Test methods

5.1 Principle

To operate and test the foil journal bearing, the take-off speed is measured and the load-carrying capacity is evaluated after sufficient preheating has taken place. The variables necessary for test and estimation are presented in the test report (see Annex B).

5.2 Start-stop test cycle and evaluation of the take-off speed

Using an electric motor or a turbine operated by a high-pressure air supply system, rotate the shaft and then the foil journal bearing starts to operate. Once the shaft begins its rotation, the bearing torque should be measured as the speed of rotation is gradually increased.

Figure 3 shows a typical example of variation in bearing torque, which is measured with the rotational speed of the shaft from the start-stop test. As the rotational speed increases, the bearing torque increases suddenly at a certain rotational speed and then decreases to maintain the steady-state condition with a relatively constant torque value. As the bearing torque decreases to meet its steady value, the rotational speed is determined as the take-off speed of the foil journal bearing and should be recorded in the test report (see Annex B). As the rotational speed decreases to zero, the bearing torque suddenly rises again and then decreases.

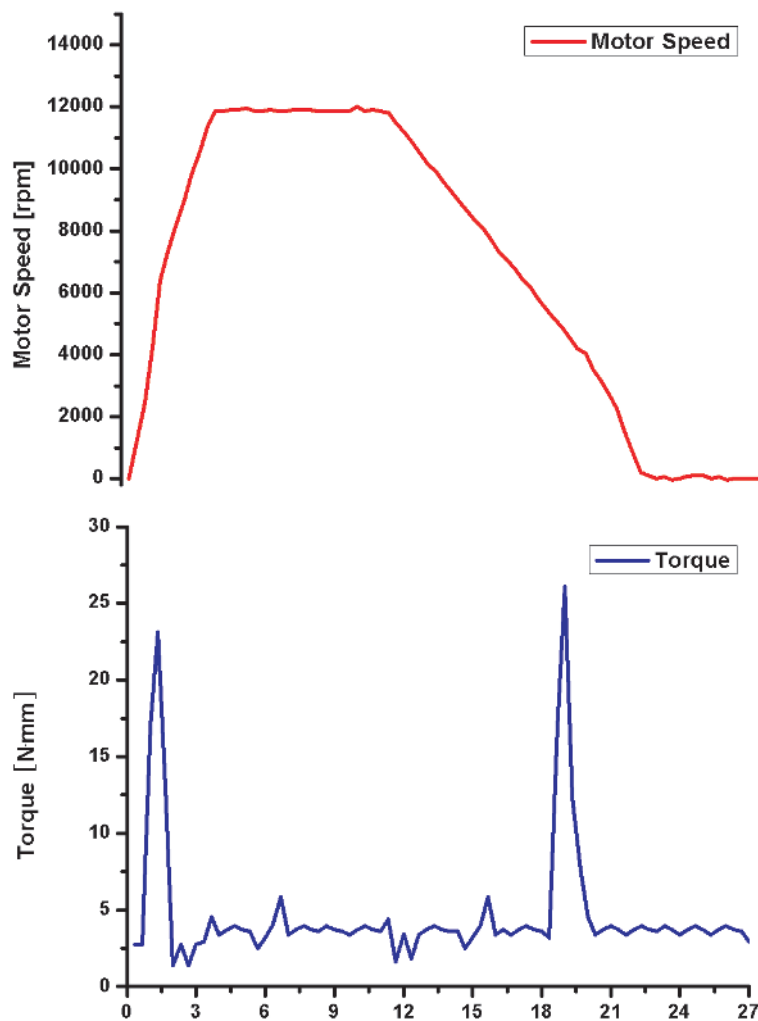


Figure 3 — Rotational speed versus bearing torque

The following processes comprise a single start-stop test cycle.

- a) Firstly, the load for the start-stop test should be determined and applied. Where selecting a load to evaluate the load capacity and lifetime of the bearing, the loading value exerted on the actual rotating system should be applied. Otherwise, the initial applied load, F_w , for a start-stop test may be calculated as follows, as a rule of thumb, then applied load, $F_{w,a}$, may be evaluated by the test process in 5.3.

$$F_w = C \times (L \times d)(d \times \omega) \quad (2)$$

where

C is the coefficient of foil bearing load capacity, i.e. equal to 2 000;

L is the axial length of top foil, in millimetres (mm);

d is the shaft diameter, in millimetres (mm);

ω is the shaft rotational speed, in thousands of revolutions per minute (r/min).

- b) After the shaft reaches the take-off speed, the state should continue for 15 s, and then the power to the motor should be shut off to maintain a stopped state for 5 s.
- c) This process is defined as a start-stop test. In the start-stop test, the rotational speed, the accumulated number of shaft rotations, the bearing torque, the temperature inside the housing and the top foil surface are observed.

5.3 Evaluation of static load capacity

The static load capacity, $F_{w,s}$, is the maximum steady load which may be delivered by a foil bearing in a steady-state condition.

The following is the process to determine the static load capacity.

- a) The rotational speed of the shaft is controlled to a given test speed, for example the speed of the actual foil bearing; measurement shall not take place before thermal equilibrium is reached, as measured using a thermocouple installed inside the bearing housing. The test speed should have a margin from the take-off speed to guarantee stable running of the bearing system.
- b) After increasing the rotational speed by about 10 % of the test speed to provide the foil bearing with higher load capacity, apply the initial load, F_w . Then, the rotational speed should return to the test speed. In this state, the rotational speed and the bearing torque should be observed for 5 min to estimate whether the air film or bearing rupture. Whenever a foil bearing has a film of air between the shaft and top foil, it demonstrates smooth rotation without any problems. Where unnecessary contacts develop between the shaft and top foil, it creates unstable vibrations. In this case, be sure to move to process (d) or this can lead to a sudden adhesion in a few seconds.
- c) If no failure is generated, the rotational speed should be increased by about 10 % of the test speed, a load of 1 N should be added and the rotational speed should be decreased to the test speed. Then, the bearing should be observed for failure for 5 min.
- d) If the bearing fails, the applied load should be removed and the test stopped after the rotating state becomes stable and operation is maintained for several minutes at the test speed.
- e) The maximum value at which the bearing operates successfully is taken to be the applied load, $F_{w,a}$. Then, the net load, $F_{w,n}$, exerted on the foil journal bearing is calculated using Formula (1) and is recorded in the test report of Annex B.
- f) The start-stop test should be repeated at least three times for a given test speed, and the net load, $F_{w,n}$, is recorded in the test report (see Annex B) for each test.

- g) Among the above-mentioned net loads, $F_{w,n}$, the minimum value at which the bearing operates successfully is taken as the static load capacity, $F_{w,s}$, of the foil journal bearing at the test speed and is noted in the test report (see Annex B).

5.4 Calculation of non-dimensional static load capacity

The static load capacity of the foil journal bearing is affected by the pressure of the ambient air (gas), which is the operating fluid and has a relationship with the bearing projecting area, which is the product of the shaft diameter and the bearing length.

Accordingly, where the parameters of the operating environments differ, the performance of the foil journal bearing may be compared and estimated where the static load capacity is normalized to calculate the load-carrying capacity for each projecting area, to eliminate the effects of the ambient air (gas).

The non-dimensional static load capacity, $\bar{F}_{w,s}$, is calculated using Formula (3) and is recorded in the test report (see Annex B).

$$\bar{F}_{w,s} = F_{w,s} / p_a / (L \times d) \quad (3)$$

where

- $\bar{F}_{w,s}$ is the non-dimensional static load capacity;
- $F_{w,s}$ is the static load capacity, in newtons (N);
- p_a is the ambient pressure, in newtons per square millimetre (N/mm²);
- L is the axial length of top foil, in millimetres (mm);
- d is the shaft diameter, in millimetres (mm).

5.5 Coefficient of bearing load capacity

The coefficient of bearing load capacity may be calculated using Formula (4), and may be utilized as a performance metric to estimate the static load capacity. The value is written in the test report (see Annex B).

$$C = F_{w,s} / (L \times d) / (d \times \omega) \quad (4)$$

where

- $F_{w,s}$ is the static load capacity, in newtons (N);
- L is the axial length of top foil, in millimetres (mm);
- d is the shaft diameter, in millimetres (mm);
- ω is the shaft speed in thousands of revolutions per minute.

6 Clearance and eccentricity ratio

The non-dimensional static load capacity is closely related to the variation of the centre position of the shaft. The difference between the centre of the housing and the centre of the shaft is defined as the eccentricity, e , and the radial direction gap between the shaft and the top foil is defined as the clearance, C_r .

The clearance and eccentricity ratio are calculated using Formula (5):

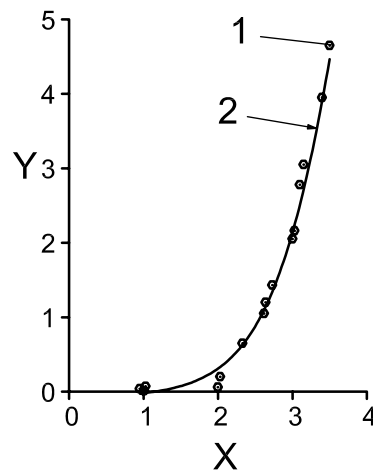
$$C_r = [D - d - 2(H_b + t_f)] / 2 \quad (5)$$

$$\varepsilon = e / C_r$$

where

- C_r is the clearance of foil bearing, in micrometres (μm);
- D is the inner diameter of bearing housing, in millimetres (mm);
- d is the shaft diameter, in millimetres (mm);
- H_b is the height of bump foil, in millimetres (mm);
- t_f is the thickness of top foil, in millimetres (mm);
- ε is the eccentricity ratio;
- e is the eccentricity, in micrometres (μm).

Figure 4 presents the relationship between the eccentricity ratio and the non-dimensional static load capacity. The clearance is the value determined whenever designing and fabricating the bearing, and is noted in the test report (see Annex B). As shown in Figure 2, the displacement sensors are installed at right angles to each other at both ends of the bearing housing, and the displacements of the shaft centre may be observed by measuring and comparing the values. Using these displacements, the eccentricity and the eccentricity ratio are calculated and written in the report (see Annex B). In this case, the arithmetic mean value of two values measured at both ends is applied.



Key

- X eccentricity ratio
- Y non-dimensional static load capacity
- 1 experiment
- 2 curve fit

Figure 4 — Typical relationships between the eccentricity ratio and non-dimensional static load capacity

7 Friction coefficient

The friction force and the friction coefficients are the characteristic values used to represent the primary characteristics of the foil journal bearing. The values may be calculated using measured friction force, F_s , at

the steady-state and static load capacity, $F_{w,s}$, from the load estimation system by the pre-stated method in Formula (1) and 5.3:

$$\mu = F_s / F_{w,s} \quad (6)$$

where

- μ is the friction coefficient;
- F_s is the friction force at steady-state;
- $F_{w,s}$ is the static load capacity.

The friction force generated between the shaft and the top foil in the initial operation is the maximum static friction force. The maximum friction coefficients calculated using the maximum static friction force should be calculated using Formula (6) above and reported in the test report (see Annex B) as an important factor to determine the lifetime of the shaft and the bearing.

8 Durability test and lifetime

8.1 Test procedure

The durability test of the foil bearing may be performed by repeating the start-stop test described in 5.2 using static load capacity, $F_{w,s}$, as the applied load.

8.2 Determination of lifetime

The hydrodynamic force generated by the rotation of the shaft is greatly affected by the clearance, C_r , between the top foil and the shaft, as explained in Clause 9. That is, where the clearance exceeds the appropriate value due to wear of the top foil and/or the shaft, performance metrics, such as static load capacity, can be decreased. Accordingly, the amount of wear should be regulated to guarantee that clearance is in the proper range of about 100 μm in a typical type of foil bearing.

If the top foil is coated with a solid lubricant or other material(s) and the coating itself has an important effect on the bearing performance, the total number of revolutions of the shaft where the coating layer has disappeared is set as the lifetime of the bearing, and should be written down in the test report (see Annex B).

In all other cases, the lifetime is the total number of revolutions of the shaft before the wear rate of the top foil or whenever the shaft reaches 20 % of the thickness of the top foil, and should be recorded in the test report (see Annex B).

The wear rate is estimated after each 100 cycles of the start-stop test.

9 Test report

The test report (see Annex B) should contain the following:

- a) the bearing parameters;
- b) the test conditions;
- c) the test methods;
- d) the loading methods;
- e) the test location;

- f) the date;
- g) the operator's name;
- h) the test results.

Annex A (normative)

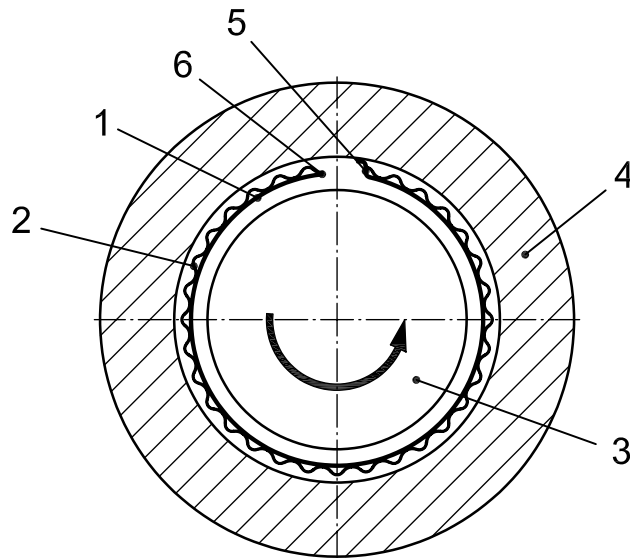
The configuration of a typical foil journal bearing

The foil journal bearing consists of a bearing housing, a bump foil or elastic foundation with a similar function, the top foil set between the above elastic foundation and the shaft, as shown in Figure A.1.

An additional casing outside of the bearing housing may be added according to design conditions.

Secure the clearance between the shaft and the top foil to generate the air film by hydrodynamic force as the shaft rotates.

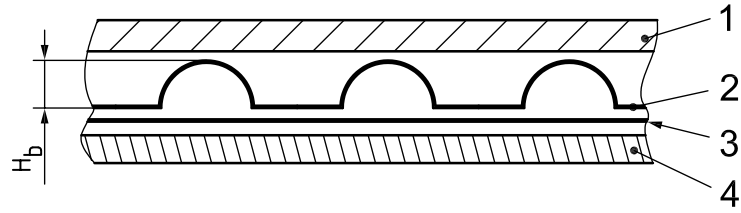
The configuration of the bump foil and top foil is described in Figure A.2.



Key

- 1 top foil
- 2 bump foil
- 3 shaft
- 4 bearing housing
- 5 trailing edge
- 6 leading edge

Figure A.1 — The configuration of a typical foil journal bearing



Key

- 1 shaft
- 2 top foil
- 3 bump foil with height of H_b
- 4 bearing housing

Figure A.2 — Configurations of bump foil and top foil

Annex B
(informative)

Test report

Test based on ISO 13939		Symbol	Unit	Data				
File name:								
Test specimen:								
Shaft diameter		d	mm					
Top foil	Materials	-	-					
	Heat treatment	-	-					
	Length (along shaft)	L	mm					
	Thickness	t_f	μm					
	Surface roughness	Ra	μm					
Bump foil	Height	H_b	mm					
	Thickness	t_b	μm					
Housing	Inner diameter	D	mm					
	Mass	$F_{w,h}$	N					
Clearance = $(D-d-2(H_b + t_f))/2$		C_r	μm					
Test conditions of surrounding gas:								
Type		-	-	<input type="checkbox"/> Air <input type="checkbox"/> Others ()				
Relative humidity		h_R	%					
Temperature		T_a	$^{\circ}\text{C}$					
Pressure		p_a	N/mm ²					
Loading method	<input type="checkbox"/> Deadweight <input type="checkbox"/> Pneumatic load cylinder <input type="checkbox"/> Hydraulic load cylinder <input type="checkbox"/> Others ()							
Test results:				1st	2nd	3rd	4th	5th
Rotational speed of shaft, at take-off	ω_{to}	r/min						
at test speed	ω_s	r/min						
Bearing torque, maximum	T_{max}	N*m						
at steady-state	T_s	N*m						
Friction coefficient, max. = $T_{max}/r/F_{w,s}$	μ_{max}	-						
Friction coefficient, steady-state = $T_s/r/F_{w,s}$	μ	-						
Temperature of air (gas) in housing	T_{ah}	$^{\circ}\text{C}$						
of top foil surface	T_{fs}	$^{\circ}\text{C}$						
Load, applied	$F_{w,a}$	N						
net = $F_{w,a} - F_{w,h}$	$F_{w,n}$	N						
Static load capacity	$F_{w,s}$	N						
Non-dimensional	$\bar{F}_{w,s}$	-						
Coefficient of bearing load capacity	C	-						
Eccentricity	e	μm						
Eccentric ratio	ϵ	-						

Test based on ISO 13939	Symbol	Unit	Data
Lifetime	L_b	No. of revolutions	
Test location:	Test date:	Operator:	
Remarks:			

Bibliography

- [1] ISO/IEC TR 10000-1, *Information technology — Framework and taxonomy of International Standardized Profiles — Part 1: General principles and documentation framework*
- [2] DELLACORTE, C. A New Foil Air Bearing Test Rig for Use to 700°C and 70,000 rpm, NASA TM-1997-107405
- [3] DELLACORTE, C. and VALCO, M.J. Load Capacity Estimation of Foil Air Journal Bearings for Oil-Free Turbo-machinery Applications, NASA TM-2000-209782, 2000, Cleveland, Ohio
- [4] HESHMAT, H. Advancements in the Performance of Aerodynamic Foil Journal Bearings: High Speed and Load Capability, *ASME J. Tribology*, **116** (2), 1994, pp. 287–295
- [5] RADIL, K., HOWARD, S. and DYKAS, B. 2002, The Role of Radial Clearance on the Performance of Foil Air Bearings, NASA/TM-2002-211705
- [6] NASA Facts, 2001, Creating a Turbomachinery Revolution, FS-2001-07-014-GRC, Cleveland, Ohio
- [7] SAN ANDRES, L. and DE SANTIAGO, O.C. Identification of Journal Bearing Fore Coefficients Under High Dynamic Loading-Part I: Concentric Static Operation, *Proceedings of STLE/ASME International Conference*, No. Trib 2004-64300, 2004
- [8] KIM, T. H. and SAN ANDRES, L. Heavily Loaded Gas Foil Bearings: A Model Anchored to Test Data, *ASME Journal of Engineering for Gas Turbines and Power* or ASME Turbo-Expo 2005, 2005GT2005-68486
- [9] LEE, Y.-B., JO, J.-H., PARK D.-J. and KIM, C.-H. Dynamic Characteristics of Bump Foils Considering with Thermal Effect in Air Foil Bearings, *Proceedings of STLE/ASME International Conference*, IJTC2006-12189, 2006
- [10] LEE, Y.-B., Park, D.-J., KIM C.-H. and KIM, S.-J. Operating Characteristics of the Bump Foil Journal Bearings with Top Foil Bending Phenomenon and Correlation among Bump Foils, *Tribology International* Vol. 41, 2008, pp. 221–233

British Standards Institution (BSI)

BSI is the national body responsible for preparing British Standards and other standards-related publications, information and services.

BSI is incorporated by Royal Charter. British Standards and other standardization products are published by BSI Standards Limited.

About us

We bring together business, industry, government, consumers, innovators and others to shape their combined experience and expertise into standards-based solutions.

The knowledge embodied in our standards has been carefully assembled in a dependable format and refined through our open consultation process. Organizations of all sizes and across all sectors choose standards to help them achieve their goals.

Information on standards

We can provide you with the knowledge that your organization needs to succeed. Find out more about British Standards by visiting our website at bsigroup.com/standards or contacting our Customer Services team or Knowledge Centre.

Buying standards

You can buy and download PDF versions of BSI publications, including British and adopted European and international standards, through our website at bsigroup.com/shop, where hard copies can also be purchased.

If you need international and foreign standards from other Standards Development Organizations, hard copies can be ordered from our Customer Services team.

Subscriptions

Our range of subscription services are designed to make using standards easier for you. For further information on our subscription products go to bsigroup.com/subscriptions.

With **British Standards Online (BSOL)** you'll have instant access to over 55,000 British and adopted European and international standards from your desktop. It's available 24/7 and is refreshed daily so you'll always be up to date.

You can keep in touch with standards developments and receive substantial discounts on the purchase price of standards, both in single copy and subscription format, by becoming a **BSI Subscribing Member**.

PLUS is an updating service exclusive to BSI Subscribing Members. You will automatically receive the latest hard copy of your standards when they're revised or replaced.

To find out more about becoming a BSI Subscribing Member and the benefits of membership, please visit bsigroup.com/shop.

With a **Multi-User Network Licence (MUNL)** you are able to host standards publications on your intranet. Licences can cover as few or as many users as you wish. With updates supplied as soon as they're available, you can be sure your documentation is current. For further information, email bsmusales@bsigroup.com.

BSI Group Headquarters

389 Chiswick High Road London W4 4AL UK

Revisions

Our British Standards and other publications are updated by amendment or revision.

We continually improve the quality of our products and services to benefit your business. If you find an inaccuracy or ambiguity within a British Standard or other BSI publication please inform the Knowledge Centre.

Copyright

All the data, software and documentation set out in all British Standards and other BSI publications are the property of and copyrighted by BSI, or some person or entity that owns copyright in the information used (such as the international standardization bodies) and has formally licensed such information to BSI for commercial publication and use. Except as permitted under the Copyright, Designs and Patents Act 1988 no extract may be reproduced, stored in a retrieval system or transmitted in any form or by any means – electronic, photocopying, recording or otherwise – without prior written permission from BSI. Details and advice can be obtained from the Copyright & Licensing Department.

Useful Contacts:

Customer Services

Tel: +44 845 086 9001

Email (orders): orders@bsigroup.com

Email (enquiries): cservices@bsigroup.com

Subscriptions

Tel: +44 845 086 9001

Email: subscriptions@bsigroup.com

Knowledge Centre

Tel: +44 20 8996 7004

Email: knowledgecentre@bsigroup.com

Copyright & Licensing

Tel: +44 20 8996 7070

Email: copyright@bsigroup.com



...making excellence a habit.™