

BS ISO 13798:2012



BSI Standards Publication

Ships and marine technology — Ship's mooring and towing fittings — Recessed bitts (Steel plate type)

bsi.

...making excellence a habit.™

National foreword

This British Standard is the UK implementation of ISO 13798:2012.

The UK participation in its preparation was entrusted to Technical Committee SME/32/-/4, Ships and marine technology - Outfitting and deck machinery.

A list of organizations represented on this committee can be obtained on request to its secretary.

This publication does not purport to include all the necessary provisions of a contract. Users are responsible for its correct application.

© The British Standards Institution 2012. Published by BSI Standards Limited 2012

ISBN 978 0 580 69756 2

ICS 47.020.50

Compliance with a British Standard cannot confer immunity from legal obligations.

This British Standard was published under the authority of the Standards Policy and Strategy Committee on 30 November 2012.

Amendments issued since publication

Date	Text affected
------	---------------

INTERNATIONAL STANDARD

BS ISO 13798:2012

ISO
13798

First edition
2012-07-01

Ships and marine technology — Ship's mooring and towing fittings — Recessed bitts (Steel plate type)

*Navires et technologie maritime — Corps-morts et ferrures de remorquage
de navires — Bittes d'amarrage encastrées (type plaques d'acier)*



Reference number
ISO 13798:2012(E)

© ISO 2012



COPYRIGHT PROTECTED DOCUMENT

© ISO 2012

All rights reserved. Unless otherwise specified, no part of this publication may be reproduced or utilized in any form or by any means, electronic or mechanical, including photocopying and microfilm, without permission in writing from either ISO at the address below or ISO's member body in the country of the requester.

ISO copyright office
Case postale 56 • CH-1211 Geneva 20
Tel. + 41 22 749 01 11
Fax + 41 22 749 09 47
E-mail copyright@iso.org
Web www.iso.org

Published in Switzerland

Contents

Page

Foreword	iv
Introduction	v
1 Scope	1
2 Normative references	1
3 Terms and definitions	1
4 Classification	1
4.1 Type	1
4.2 Nominal sizes	1
5 Dimensions	1
6 Materials	1
7 Construction	2
8 Manufacturing and inspection	2
9 Marking	2
Annex A (informative) Basis for strength assessment of recessed bits (Steel plate type)	4
Bibliography	6

Foreword

ISO (the International Organization for Standardization) is a worldwide federation of national standards bodies (ISO member bodies). The work of preparing International Standards is normally carried out through ISO technical committees. Each member body interested in a subject for which a technical committee has been established has the right to be represented on that committee. International organizations, governmental and non-governmental, in liaison with ISO, also take part in the work. ISO collaborates closely with the International Electrotechnical Commission (IEC) on all matters of electrotechnical standardization.

International Standards are drafted in accordance with the rules given in the ISO/IEC Directives, Part 2.

The main task of technical committees is to prepare International Standards. Draft International Standards adopted by the technical committees are circulated to the member bodies for voting. Publication as an International Standard requires approval by at least 75 % of the member bodies casting a vote.

Attention is drawn to the possibility that some of the elements of this document may be the subject of patent rights. ISO shall not be held responsible for identifying any or all such patent rights.

ISO 13798 was prepared by Technical Committee ISO/TC 8, *Ships and marine technology*, Subcommittee SC 4, *Outfitting and deck machinery*.

Introduction

The recessed bitt is a type of ship's towing fitting installed on the side shell of the ship.

The recessed bitts are normally provided to easily attach the towing lines where the height of the mooring deck is too high.

Ships and marine technology — Ship's mooring and towing fittings — Recessed bitts (Steel plate type)

1 Scope

This International Standard specifies the design, size and technical requirements for steel plate type recessed bitts to meet normal towing requirements.

2 Normative references

The following referenced documents are indispensable for the application of this document. For dated references, only the edition cited applies. For undated references, the latest edition of the referenced document (including any amendments) applies.

IMO Circular MSC/Circ.1175, *Guidance on shipboard towing and mooring equipment*

3 Terms and definitions

For the purposes of this document, the following terms and definitions apply.

3.1

safe working load

SWL

maximum load in kN on the rope that should normally be applied in service conditions.

4 Classification

4.1 Type

Depending on the manufacturing method, recessed bitts shall be classified as the following two types:

- Type A – manufactured by steel pipes;
- Type B – manufactured by steel plates.

4.2 Nominal sizes

The nominal sizes, D_n , of recessed bitts are denoted by reference to the outside diameter of the main post in millimetres, in terms of the nearest number drawn from a basic series of preferred numbers. For the recessed bitts having the same post diameter, the alphabetical character is followed by the nominal size for the different SWL.

The nominal sizes are: 200, 250, 400A and 400B.

5 Dimensions

Recessed bitts have dimensions and particulars in accordance with Table 1 and Figure 1.

6 Materials

The materials of the following components shall be used for manufacturing the recessed bitts:

- Plates: weldable steel plates having a yield point of not less than 235 N/mm².

— Tubes: weldable steel tubes having a yield point of not less than 215 N/mm² or equivalent.

7 Construction

7.1 The posts of the recessed bitts shall be constructed from steel tubes or formed from plate.

7.2 The recess boxes for the installation of the recessed bitt shall be designed with enough space for easy connection of the towing rope. The recess boxes shall be designed to prevent the chafing and damage of the towing rope as much as possible, and to have enough strength as a part of hull construction.

8 Manufacturing and inspection

8.1 All surfaces of the recessed bitts, including welding, shall be free from any visible flaws or imperfections.

8.2 All surfaces in contact with the ropes shall be free from surface roughness or irregularities likely to cause damage to the ropes by abrasion.

8.3 The recessed bitts shall be coated externally with an anti-corrosion protective finish.

9 Marking

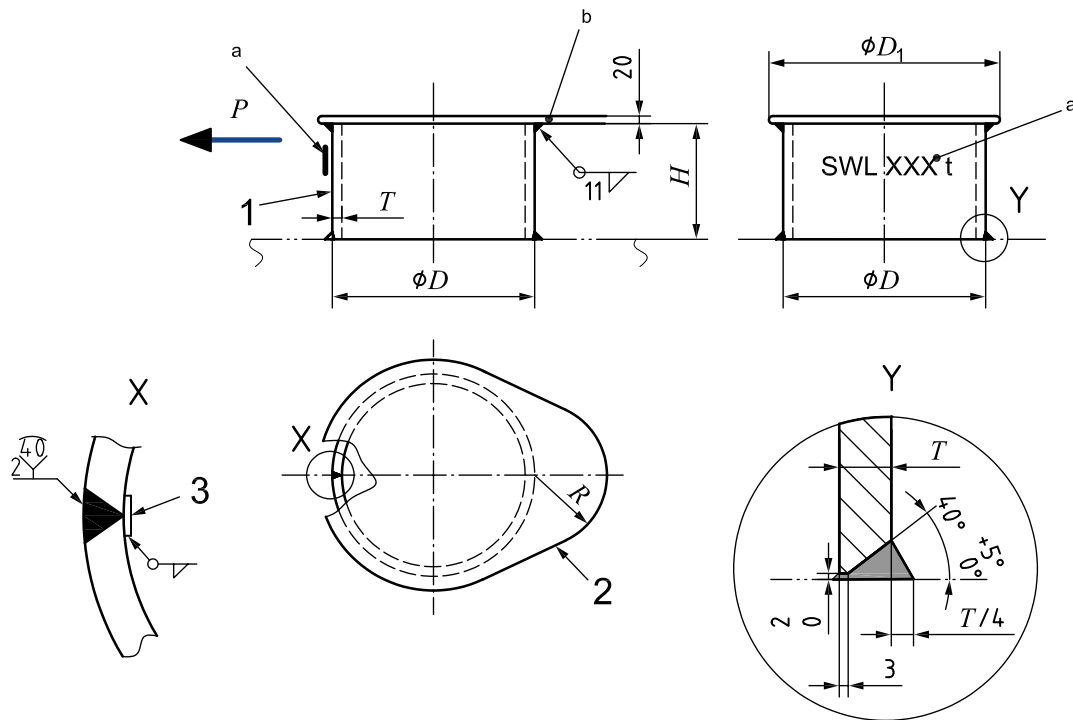
9.1 The safe working load (SWL) intended for the use of the recessed bitts shall be noted in the towing and mooring plan available on board for the guidance of the shipmaster, as specified in MSC/Circ.1175.

9.2 The actual SWL on board shall be determined by considering the reinforcement around the recess box, and it shall be marked on the towing and mooring plan. The actual SWL shall not be over the SWL indicated in this International Standard.

9.3 The recessed bitts shall be clearly marked with their SWL by weld bead or equivalent. The SWL shall be expressed in tonnes (letter 't') and be placed so that it is not obscured during operation of the fitting.

EXAMPLE SWL XXX t

Dimensions in millimetres



Key

- 1 main post
- 2 top plate
- 3 chill strip
- P towing force
- a SWL marking.
- b Smooth grinding.

Figure 1 — Recessed bitts

Table 1 — Dimensions and SWL of recessed bitts

Dimensions in millimetres

Nominal size D_n	Type	D	D_1	R	H	T	SWL ^b		Calculated weight ^c (kg)
							(kN)	(t)	
200	Type A	216,3	250	80	140	10,3	294	30	16,5
	Type B	210,0				10,0			16,1
250	Type A	267,4	305	100	160	12,7	491	50	26,7
	Type B	260,0				12,0			25,7
400A	Type A	406,4	480	140	300	12,7	687	70	69,7
	Type B	410,0				12,0			68,0
400B	Type A	406,4	480	140	330	21,4	1 177	120	99,7
	Type B	410,0				20,0			96,1

^a Welding with chamfering is available based on the same welding volume/strength.

^b The SWL is the maximum applicable rope tension.

The SWLs shown in this table are for reference only. These are based on the loadings as mentioned in Annex A.

^c The calculated weight is for reference only.

Annex A (informative)

Basis for strength assessment of recessed bitts (Steel plate type)

A.1 General

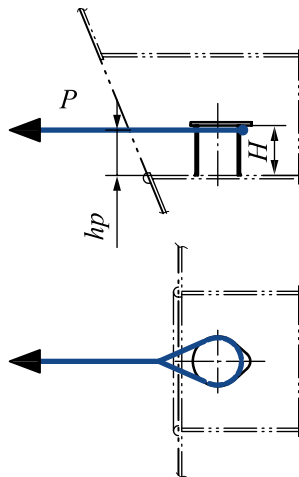
The strength of the recessed bitts was evaluated by simple beam theory calculation and determined based on the following design criteria.

A.2 Loading

A.2.1 The recessed bitts are to be designed to withstand the loads imposed by the towing ropes.

A.2.2 The recessed bitts are to be designed to withstand the following load case.

They are to be designed to withstand the combined load of bending force and shear force produced by P imposed at the upper position.



Key

P towing force

d rope diameter (see A.2.3)

hp $H - d/2$

Figure A.1 — Combined loads by towing rope

A.2.3 For the consideration of load point from the towing ropes, the following wire ropes were adopted.

Table A.1 — Diameter of applied ropes for load consideration

Dimensions in millimetres

Nominal size <i>D_n</i>	Rope diameter <i>d</i>
200	30
250	35
400A	40
400B	60

A.3 Load and stress criteria

Under the SWL, the following stress criteria were adopted:

- The bending stress is limited to 85 % of the yield stress of the material.
- The shear stress is limited to 60 % of the yield stress of the material.
- The combined stress is limited to 100 % of the yield stress of the material.

A.4 Wear-down allowances and corrosion additions

A.4.1 Wear-down allowances

For the strength calculation, the wear-down of 2 mm is to be deducted from the gross thickness, where the rope is rubbing the surface.

A.4.2 Corrosion additions

The corrosion margin was already included in the safety factor and 2 mm wear-down allowance.

Bibliography

- [1] IACS UR A2, *Shipboard fittings and supporting hull structures associated with towing and mooring on conventional vessels*
- [2] OCIMF, *Mooring Equipment Guidelines (MEG 3)*
- [3] ISO 2408, *Steel wire ropes for general purposes — Minimum requirements*

British Standards Institution (BSI)

BSI is the national body responsible for preparing British Standards and other standards-related publications, information and services.

BSI is incorporated by Royal Charter. British Standards and other standardization products are published by BSI Standards Limited.

About us

We bring together business, industry, government, consumers, innovators and others to shape their combined experience and expertise into standards-based solutions.

The knowledge embodied in our standards has been carefully assembled in a dependable format and refined through our open consultation process. Organizations of all sizes and across all sectors choose standards to help them achieve their goals.

Information on standards

We can provide you with the knowledge that your organization needs to succeed. Find out more about British Standards by visiting our website at bsigroup.com/standards or contacting our Customer Services team or Knowledge Centre.

Buying standards

You can buy and download PDF versions of BSI publications, including British and adopted European and international standards, through our website at bsigroup.com/shop, where hard copies can also be purchased.

If you need international and foreign standards from other Standards Development Organizations, hard copies can be ordered from our Customer Services team.

Subscriptions

Our range of subscription services are designed to make using standards easier for you. For further information on our subscription products go to bsigroup.com/subscriptions.

With **British Standards Online (BSOL)** you'll have instant access to over 55,000 British and adopted European and international standards from your desktop. It's available 24/7 and is refreshed daily so you'll always be up to date.

You can keep in touch with standards developments and receive substantial discounts on the purchase price of standards, both in single copy and subscription format, by becoming a **BSI Subscribing Member**.

PLUS is an updating service exclusive to BSI Subscribing Members. You will automatically receive the latest hard copy of your standards when they're revised or replaced.

To find out more about becoming a BSI Subscribing Member and the benefits of membership, please visit bsigroup.com/shop.

With a **Multi-User Network Licence (MUNL)** you are able to host standards publications on your intranet. Licences can cover as few or as many users as you wish. With updates supplied as soon as they're available, you can be sure your documentation is current. For further information, email bsmusales@bsigroup.com.

BSI Group Headquarters

389 Chiswick High Road London W4 4AL UK

Revisions

Our British Standards and other publications are updated by amendment or revision.

We continually improve the quality of our products and services to benefit your business. If you find an inaccuracy or ambiguity within a British Standard or other BSI publication please inform the Knowledge Centre.

Copyright

All the data, software and documentation set out in all British Standards and other BSI publications are the property of and copyrighted by BSI, or some person or entity that owns copyright in the information used (such as the international standardization bodies) and has formally licensed such information to BSI for commercial publication and use. Except as permitted under the Copyright, Designs and Patents Act 1988 no extract may be reproduced, stored in a retrieval system or transmitted in any form or by any means – electronic, photocopying, recording or otherwise – without prior written permission from BSI. Details and advice can be obtained from the Copyright & Licensing Department.

Useful Contacts:

Customer Services

Tel: +44 845 086 9001

Email (orders): orders@bsigroup.com

Email (enquiries): cservices@bsigroup.com

Subscriptions

Tel: +44 845 086 9001

Email: subscriptions@bsigroup.com

Knowledge Centre

Tel: +44 20 8996 7004

Email: knowledgecentre@bsigroup.com

Copyright & Licensing

Tel: +44 20 8996 7070

Email: copyright@bsigroup.com



...making excellence a habit.™