

BS ISO 13444:2012



BSI Standards Publication

Technical product documentation (TPD) — Dimensioning and indication of knurling

bsi.

...making excellence a habit.™

National foreword

This British Standard is the UK implementation of ISO 13444:2012.

The UK participation in its preparation was entrusted to Technical Committee TDW/4, Technical Product Realization.

A list of organizations represented on this committee can be obtained on request to its secretary.

This publication does not purport to include all the necessary provisions of a contract. Users are responsible for its correct application.

© The British Standards Institution 2012
Published by BSI Standards Limited 2012

ISBN 978 0 580 68046 5

ICS 01.100.20

Compliance with a British Standard cannot confer immunity from legal obligations.

This British Standard was published under the authority of the Standards Policy and Strategy Committee on 31 August 2012.

Amendments issued since publication

Date	Text affected
------	---------------

INTERNATIONAL STANDARD

BS ISO 13444:2012

ISO
13444

First edition
2012-08-01

Technical product documentation (TPD) — Dimensioning and indication of knurling

*Documentation technique de produits (TPD) — Cotation et indication du
moletage*



Reference number
ISO 13444:2012(E)

© ISO 2012



COPYRIGHT PROTECTED DOCUMENT

© ISO 2012

All rights reserved. Unless otherwise specified, no part of this publication may be reproduced or utilized in any form or by any means, electronic or mechanical, including photocopying and microfilm, without permission in writing from either ISO at the address below or ISO's member body in the country of the requester.

ISO copyright office
Case postale 56 • CH-1211 Geneva 20
Tel. + 41 22 749 01 11
Fax + 41 22 749 09 47
E-mail copyright@iso.org
Web www.iso.org

Published in Switzerland

Foreword

ISO (the International Organization for Standardization) is a worldwide federation of national standards bodies (ISO member bodies). The work of preparing International Standards is normally carried out through ISO technical committees. Each member body interested in a subject for which a technical committee has been established has the right to be represented on that committee. International organizations, governmental and non-governmental, in liaison with ISO, also take part in the work. ISO collaborates closely with the International Electrotechnical Commission (IEC) on all matters of electrotechnical standardization.

International Standards are drafted in accordance with the rules given in the ISO/IEC Directives, Part 2.

The main task of technical committees is to prepare International Standards. Draft International Standards adopted by the technical committees are circulated to the member bodies for voting. Publication as an International Standard requires approval by at least 75 % of the member bodies casting a vote.

Attention is drawn to the possibility that some of the elements of this document may be the subject of patent rights. ISO shall not be held responsible for identifying any or all such patent rights.

ISO 13444 was prepared by Technical Committee ISO/TC 10, *Technical product documentation*, Subcommittee SC 6, *Mechanical engineering documentation*.

Introduction

This International Standard covers knurling on workpieces with standardized diametral pitches. It does not deal with the knurling tools; these are outside the scope of ISO/TC 10.

This International Standard includes dimensional relations for straight and diamond knurling on cylindrical surfaces having teeth of uniform pitch parallel to the axis of the cylinder or at a helix angle of 30° with the axis of work.

The knurling is made by displacement of the material on the surface of a workpiece when rotated under pressure against a knurling tool.

The recommendations given are applicable for general purposes. They are intended to improve the uniformity and appearance of knurling, reduce the production of defective work, as well as decrease the number of tools required.

In Annex A, an alternative method of dimensioning and indication of knurling is presented. This method uses a module for the calculation of the knurling. Note that this method requires different knurling tools than those used in the method presented in the main body of this International Standard.

Technical product documentation (TPD) — Dimensioning and indication of knurling

1 Scope

This International Standard specifies a series of knurling dimensions intended for general use in mechanical engineering and is intended to avoid an unnecessary multiplicity of tools by restricting the profile angle to 90° and by restricting the selection of diametral pitches.

2 Normative references

The following referenced documents are indispensable for the application of this document. For dated references, only the edition cited applies. For undated references, the latest edition of the referenced document (including any amendments) applies.

ISO 128-34:2001, *Technical drawings — General principles of presentation — Part 34: Views on mechanical engineering drawings*

ISO 129-1:2004, *Technical drawings — Indication of dimensions and tolerances — Part 1: General principles*

3 Terms and definitions

For the purposes of this International Standard, the following terms and definitions apply.

3.1

knurling tool

knurl

tool or die used to produce a raised surface on a workpiece by a cutting or rolling process

3.2

knurling

patterned raised surface on a workpiece produced by a knurl

3.3

diametral pitch

p

radial distance between two teeth measured on the outer diameter of the knurling.

4 Types of knurling

Two types of knurling are standardized:

- a straight knurling type A (see Figure 1);
- a diamond knurling type B (see Figure 2).

Other types are possible, but they need special tools (see Annex A).

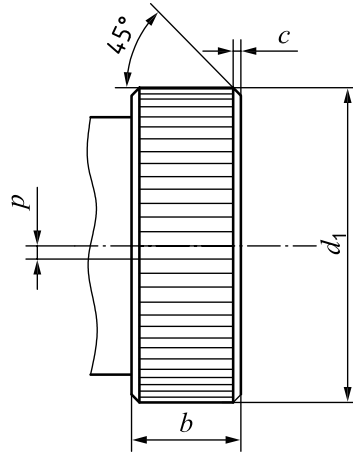


Figure 1 — Knurling type A

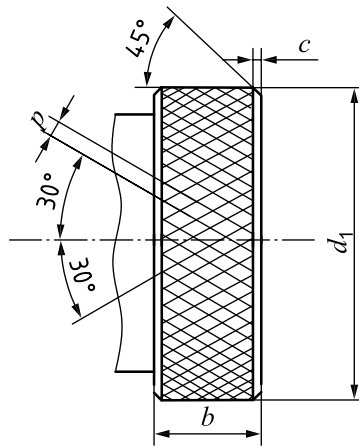
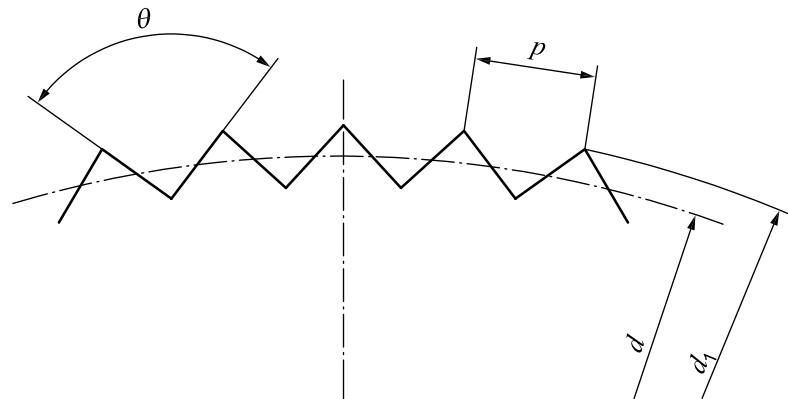


Figure 2 — Knurling type B

5 Shape of the knurling

The shape of the knurling when sectioned perpendicular to the knurl teeth describes the knurling parameters (see Figure 3).

The profile of the groove used on the knurling shall be specified by a cross-section perpendicular to the groove (see Figure A.3).



Key

- d* diameter before knurling
- d*₁ diameter of the finished knurling
- p* pitch
- θ* profile angle, in degrees

Figure 3 — Shape and dimensions of the knurling

6 Values

6.1 Profile angle

The profile angle shall be 90° (see Figure 3).

6.2 Diametral pitch, *p*

The pitch, *p*, shall be chosen from the following list to avoid an unnecessary multiplicity of tools.

- 0,4 mm
- 0,5 mm
- 0,6 mm
- 0,8 mm
- 1,0 mm
- 1,2 mm
- 1,6 mm

6.3 Diameters of the knurling

The nominal diameter indicated in the drawing shall be the outside diameter *d*₁ of the finished knurling. The diameter *d* before the knurling is smaller.

The diameters *d* and *d*₁ can be calculated using the following formulae:

Knurling type A: $d = d_1 - 0,5 p$ or vice versa $d_1 = d + 0,5 p$

Knurling type B: $d = d_1 - 0,67 p$ $d_1 = d + 0,67 p$

6.4 Chamfer, *c*

The dimensional value for the chamfer, *c*, shall be chosen according to the equation:

$$c = p, \text{ if } b \geq 6 \text{ mm}$$

where

p is the diametral pitch;

b is the width.

If b is smaller than 6 mm, c shall be specified, and shall be smaller than p .

A radius may be chosen instead of a chamfer.

6.5 Knurling data

Recommendations for preferred data and relations between diameter d_1 , diametral pitch p and the width of the knurled feature b are given in Table 1.

Table 1 — Knurling data relation

Dimensions in millimetres

Outside diameter d_1		Diametral pitch p for width b				
above	Up to and including	2 to 4	4 to 8	8 to 16	16 to 32	> 32
—	Ø3	0,4	0,4	0,5	—	—
Ø3	Ø6	0,4	0,5	0,6	0,6	0,6
Ø6	Ø10	0,5	0,6	0,6	0,8	0,8
Ø10	Ø20	0,6	0,6	0,8	1	1
Ø20	Ø30	0,6	0,8	0,8	1	1
Ø30	Ø60	0,8	0,8	1	1,2	1,2
Ø60	Ø100	0,8	1	1,2	1,2	1,6
Ø100	—	—	1	1,6	1,6	1,6

7 Designation

The designation of knurling is dependent on the diameter and the width of the feature to be knurled.

The designation of knurling itself on the drawing shall consist of:

- a reference to this International Standard;
- the letter for the type of knurling (A or B);
- the pitch of the knurling.

For a feature with $d_1 = \text{Ø}30$ mm and $b = 12$ mm, the pitch p is 0,8 mm according to Table 1. The designation for a straight knurling is:

ISO 13444 – A p0,8

8 Presentation on drawings

The knurling shall be presented in accordance with ISO 128-34 and dimensioned in accordance with ISO 129-1. Figure 4 shows an example of a diamond knurling type B; the pitch was chosen from Table 1.

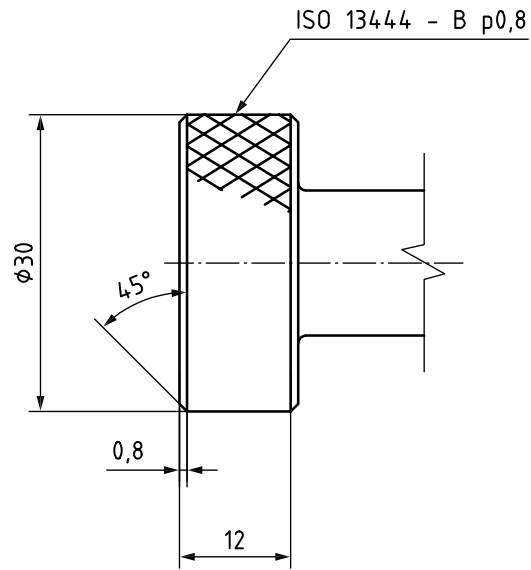


Figure 4 — Presentation and dimensioning of the knurling (example)

Annex A (informative)

Alternative method of dimensioning and indication of knurling by using a module

A.1 General

This annex specifies an alternative, modular, method for the dimensioning and indication of knurling for general use in mechanical engineering.

A.2 Types of knurling

There are two types of knurling defined as follows:

- a) straight knurling type A (see Figure A.1);
- b) diamond knurling type B (see Figure A.2).

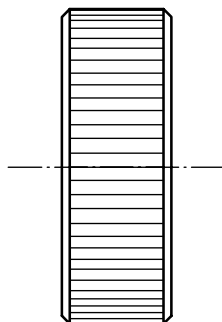


Figure A.1 — Straight knurling type A

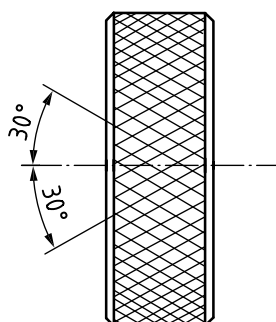
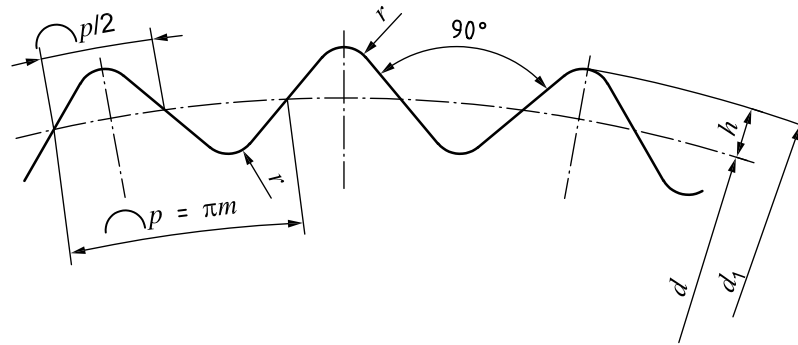


Figure A.2 — Diamond knurling type B

A.3 Shape and dimensions

A.3.1 Shape

The profile of the groove used on the knurling shall be specified by a cross-section perpendicular to the groove (see Figure A.3).



Key

- m module of knurling
- d diameter before knurling
- d_1 diameter of the finished knurling
- h displacement of material
- p pitch
- r radius

Figure A.3 — Shape and dimensions of knurling

A.3.2 Dimensions

A.3.2.1 Diameter of the knurling

The diameter before knurling, d , of the considered work piece shall be calculated using the following equations.

a) Knurling type A:

$$d = nm \tag{1}$$

where

- d is the diameter before knurling type A;
- n is the number of teeth;
- m is the module.

b) Knurling type B:

$$d = nm / \cos 30^\circ \tag{2}$$

where

- d is the diameter before knurling type B;
- n is the number of teeth;
- m is the module.

A.3.2.2 Module m and pitch p

The dimensions of knurling are given in Table A.1.

Table A.1 — Dimensions of knurling

Module m	Pitch p mm	Radius r mm	Displacement of material h mm
0,2	0,628	0,06	0,132
0,3	0,942	0,09	0,198
0,5	1,571	0,16	0,326

A.4 Designation

The designation of the knurling on the drawing consists of the reference to this International Standard, the type and module of the knurling.

EXAMPLE 1 The designation for a straight knurling type A with a module $m = 0,3$ is:

ISO 13444 – A m0,3

EXAMPLE 2 The designation for a diamond knurling type B with a module $m = 0,5$ is:

ISO 13444 – B m0,5

British Standards Institution (BSI)

BSI is the national body responsible for preparing British Standards and other standards-related publications, information and services.

BSI is incorporated by Royal Charter. British Standards and other standardization products are published by BSI Standards Limited.

About us

We bring together business, industry, government, consumers, innovators and others to shape their combined experience and expertise into standards-based solutions.

The knowledge embodied in our standards has been carefully assembled in a dependable format and refined through our open consultation process. Organizations of all sizes and across all sectors choose standards to help them achieve their goals.

Information on standards

We can provide you with the knowledge that your organization needs to succeed. Find out more about British Standards by visiting our website at bsigroup.com/standards or contacting our Customer Services team or Knowledge Centre.

Buying standards

You can buy and download PDF versions of BSI publications, including British and adopted European and international standards, through our website at bsigroup.com/shop, where hard copies can also be purchased.

If you need international and foreign standards from other Standards Development Organizations, hard copies can be ordered from our Customer Services team.

Subscriptions

Our range of subscription services are designed to make using standards easier for you. For further information on our subscription products go to bsigroup.com/subscriptions.

With **British Standards Online (BSOL)** you'll have instant access to over 55,000 British and adopted European and international standards from your desktop. It's available 24/7 and is refreshed daily so you'll always be up to date.

You can keep in touch with standards developments and receive substantial discounts on the purchase price of standards, both in single copy and subscription format, by becoming a **BSI Subscribing Member**.

PLUS is an updating service exclusive to BSI Subscribing Members. You will automatically receive the latest hard copy of your standards when they're revised or replaced.

To find out more about becoming a BSI Subscribing Member and the benefits of membership, please visit bsigroup.com/shop.

With a **Multi-User Network Licence (MUNL)** you are able to host standards publications on your intranet. Licences can cover as few or as many users as you wish. With updates supplied as soon as they're available, you can be sure your documentation is current. For further information, email bsmusales@bsigroup.com.

BSI Group Headquarters

389 Chiswick High Road London W4 4AL UK

Revisions

Our British Standards and other publications are updated by amendment or revision.

We continually improve the quality of our products and services to benefit your business. If you find an inaccuracy or ambiguity within a British Standard or other BSI publication please inform the Knowledge Centre.

Copyright

All the data, software and documentation set out in all British Standards and other BSI publications are the property of and copyrighted by BSI, or some person or entity that owns copyright in the information used (such as the international standardization bodies) and has formally licensed such information to BSI for commercial publication and use. Except as permitted under the Copyright, Designs and Patents Act 1988 no extract may be reproduced, stored in a retrieval system or transmitted in any form or by any means – electronic, photocopying, recording or otherwise – without prior written permission from BSI. Details and advice can be obtained from the Copyright & Licensing Department.

Useful Contacts:

Customer Services

Tel: +44 845 086 9001

Email (orders): orders@bsigroup.com

Email (enquiries): cservices@bsigroup.com

Subscriptions

Tel: +44 845 086 9001

Email: subscriptions@bsigroup.com

Knowledge Centre

Tel: +44 20 8996 7004

Email: knowledgecentre@bsigroup.com

Copyright & Licensing

Tel: +44 20 8996 7070

Email: copyright@bsigroup.com



...making excellence a habit.™