

Thermoplastics piping systems for soil and waste discharge inside buildings — Test method for airtightness of joints

ICS 23.040.20; 91.140.80

National foreword

This British Standard is the UK implementation of ISO 13255:2010.

The UK participation in its preparation was entrusted to Technical Committee PRI/88/1, Plastics piping for non-pressure applications.

A list of organizations represented on this committee can be obtained on request to its secretary.

This publication does not purport to include all the necessary provisions of a contract. Users are responsible for its correct application.

Compliance with a British Standard cannot confer immunity from legal obligations.

This British Standard was published under the authority of the Standards Policy and Strategy Committee on 30 June 2010

© BSI 2010

ISBN 978 0 580 66736 7

Amendments/corrigenda issued since publication

Date	Comments

INTERNATIONAL STANDARD

ISO
13255

First edition
2010-05-01

Thermoplastics piping systems for soil and waste discharge inside buildings — Test method for airtightness of joints

*Systèmes de canalisations thermoplastiques pour évacuation des eaux-
vannes et des eaux usées à l'intérieur des bâtiments — Méthode
d'essai de l'étanchéité des assemblages à l'air*



Reference number
ISO 13255:2010(E)

© ISO 2010

PDF disclaimer

This PDF file may contain embedded typefaces. In accordance with Adobe's licensing policy, this file may be printed or viewed but shall not be edited unless the typefaces which are embedded are licensed to and installed on the computer performing the editing. In downloading this file, parties accept therein the responsibility of not infringing Adobe's licensing policy. The ISO Central Secretariat accepts no liability in this area.

Adobe is a trademark of Adobe Systems Incorporated.

Details of the software products used to create this PDF file can be found in the General Info relative to the file; the PDF-creation parameters were optimized for printing. Every care has been taken to ensure that the file is suitable for use by ISO member bodies. In the unlikely event that a problem relating to it is found, please inform the Central Secretariat at the address given below.



COPYRIGHT PROTECTED DOCUMENT

© ISO 2010

All rights reserved. Unless otherwise specified, no part of this publication may be reproduced or utilized in any form or by any means, electronic or mechanical, including photocopying and microfilm, without permission in writing from either ISO at the address below or ISO's member body in the country of the requester.

ISO copyright office
Case postale 56 • CH-1211 Geneva 20
Tel. + 41 22 749 01 11
Fax + 41 22 749 09 47
E-mail copyright@iso.org
Web www.iso.org

Published in Switzerland

Foreword

ISO (the International Organization for Standardization) is a worldwide federation of national standards bodies (ISO member bodies). The work of preparing International Standards is normally carried out through ISO technical committees. Each member body interested in a subject for which a technical committee has been established has the right to be represented on that committee. International organizations, governmental and non-governmental, in liaison with ISO, also take part in the work. ISO collaborates closely with the International Electrotechnical Commission (IEC) on all matters of electrotechnical standardization.

International Standards are drafted in accordance with the rules given in the ISO/IEC Directives, Part 2.

The main task of technical committees is to prepare International Standards. Draft International Standards adopted by the technical committees are circulated to the member bodies for voting. Publication as an International Standard requires approval by at least 75 % of the member bodies casting a vote.

Attention is drawn to the possibility that some of the elements of this document may be the subject of patent rights. ISO shall not be held responsible for identifying any or all such patent rights.

ISO 13255 was prepared by Technical Committee ISO/TC 138, *Plastics pipes, fittings and valves for the transport of fluids*, Subcommittee SC 1, *Plastics pipes and fittings for soil, waste and drainage (including land drainage)*.

Thermoplastics piping systems for soil and waste discharge inside buildings — Test method for airtightness of joints

1 Scope

This International Standard specifies a method for testing the airtightness of joints of thermoplastics piping systems for soil and waste discharge inside buildings.

2 Principle

A test assembly of pipes and/or fittings is subjected to a given internal air pressure for a given time period during which the leaktightness of the joint is verified by inspection.

NOTE It is assumed that the following test parameters are set by the referring standard:

- a) the sampling procedure (see 4.1 and Clause 5);
- b) the number of test pieces (see 4.2).

3 Apparatus

3.1 End-sealing devices, having a size and using a sealing method that are appropriate to the type of joint assembly under test. The devices shall be restrained in such a manner that does not exert longitudinal forces on the joint assembly and prevents the devices or the assembly under test from separating under pressure. The mass of the devices shall not be permitted to influence the angular deflection to be applied (see 5.8).

3.2 Air pressure source, connected via a shut-off valve to one end of at least one end-sealing device, and capable of maintaining the required pressure within $\pm 10\%$ (see Clause 5).

3.3 Pressure-measuring device, capable of checking conformity to the required test pressure (see 3.2 and Clause 5).

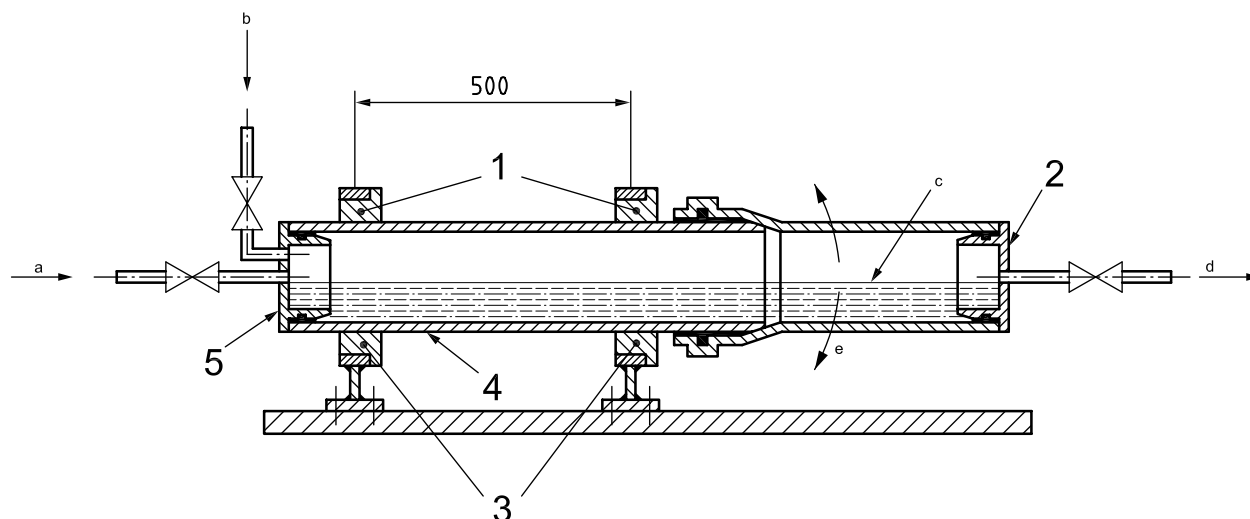
3.4 Water supply and outlet devices, each connected via a shut-off valve to at least one end-sealing device to admit water to the appropriate level within the test piece (see Figure 1).

4 Test pieces

4.1 Preparation of test pieces

The test piece shall comprise an assembly of (a) pipe section(s) (with or without sockets) and/or fitting(s), one part of the test piece being a pipe or a fitting with a spigot mounted in two clamped blocks (see Figure 1).

Dimensions in millimetres



Key

- 1 fixed points
- 2 sealing plug with water outlet and end restraint (see 3.1)
- 3 loose bushes enabling all sizes of pipes to be accommodated on the same test fixture
- 4 fixed component
- 5 sealing plug with water inlet, air outlet and end restraint

- a Water inlet.
- b Air outlet.
- c Level of water for test (half of pipe internal bore).
- d Water outlet.
- e Direction of movement for angular deflection, if applicable (see 5.8).

Figure 1 — Typical arrangement

One end of the pipe shall be sealed with a plug that has a combined water and air inlet. A fitting or a joint shall be assembled with the open end of the fixed component. The fitting or joint shall then be sealed at all open ends with plugs, one of which has a centrally mounted water outlet and shut-off valve (see Figure 2).

The assembly of the joint(s) shall be carried out in accordance with the manufacturer's instructions.

The assembly shall comprise the combination of the smallest available spigot end and the largest available socket or socket groove diameter within the applicable tolerance(s) and obtained by sampling in accordance with the referring standard.

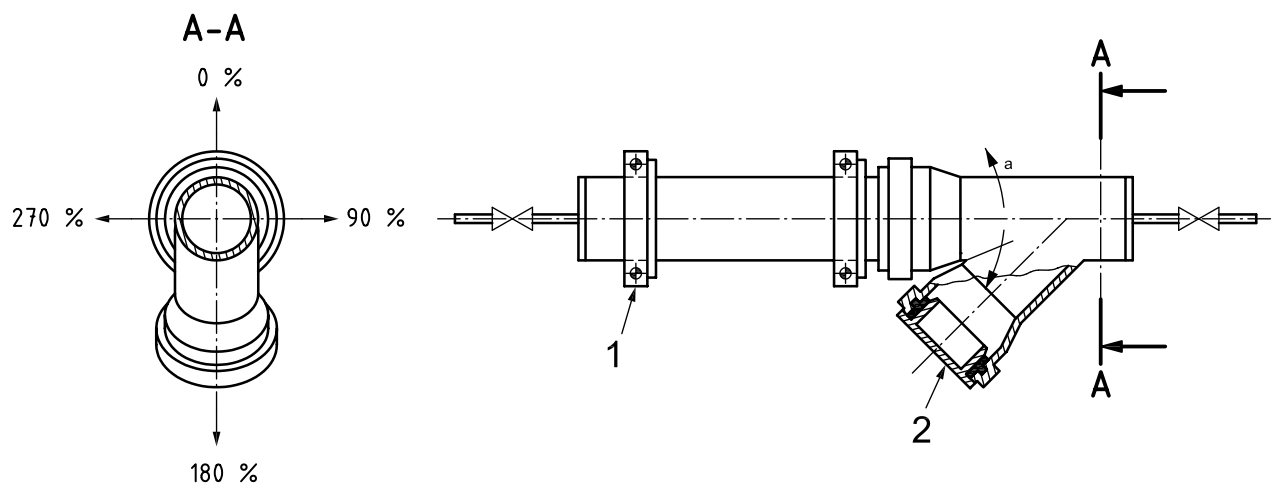
The relevant diameters of the selected spigots and sockets shall be measured and recorded.

4.2 Number of test pieces

The number of test pieces shall be specified in the referring standard.

5 Procedure

- 5.1** Carry out the following procedure at a temperature of $(23 \pm 5)^\circ\text{C}$ using cold tap water, without permitting any condensation to form on the surface of the test piece.
- 5.2** Mount the test piece horizontally in the apparatus (see Figure 1).
- 5.3** When testing in accordance with 5.4 to 5.8, monitor the joint for and record any leaks which are evident by the formation of bubbles of soap solution (see 5.4) and the escape of water.
- 5.4** Apply a solution of soapy water or equivalent leak-detecting agent around the annular space between the spigot and the mouth of the socket. Afterwards, remove any excess, dripping liquid with a dry cloth.
- 5.5** Open the water outlet valve and close the air inlet valve.
- 5.6** Open the water inlet valve. When the assembly is half-full, as indicated by water flow from the outlet, close first the water inlet valve and then the water outlet valve.
- 5.7** Open the air inlet valve and increase the internal air pressure to $(0,1 \pm 0,01) \text{ bar}^{1)}$ using air at the temperature specified in 5.1.
- 5.8** Maintain this pressure for 5 min, then deflect the fitting or joint manually on the spigot end of the clamped component, until their consecutive axes reach the maximum angular deflection, as stated by the manufacturer for the specific joint under test. Apply this angular deflection at 0° , 90° , 180° and 270° (see Figure 2), maintaining it for 1 min in each of these directions.
- 5.9** Depressurize, drain and dismantle the test piece. Inspect for and record any changes in the appearance of the components tested.



Key

- 1 blocks split and held together with wing-nut
 2 sealing plug
 a Direction of movement of fitting during test (end elevation).

Figure 2 — Directions of deflection

1) 1 bar = 0,1 MPa = 10^5 Pa; 1 MPa = 1 N/mm².

6 Test report

The test report shall include the following information:

- a) a reference to this International Standard, i.e. ISO 13255:2010, and the referring standard;
- b) the complete identification of the components (e.g. fittings, pipes, assemblies) comprising the joints under test and their respective diameters, in millimetres (see 4.1);
- c) the test temperature (see 5.1), in degrees Celsius;
- d) the test pressure, in bar;
- e) the time period under pressure, in minutes;
- f) the angle of deflection applied to the joint, if applicable (see 5.8);
- g) a statement that the joint did not leak or, if applicable, a report of the signs of leakage or rupture, their position(s) and the pressure at which they occurred;
- h) any change in the appearance of the components of the test piece(s) during testing, or immediately afterwards;
- i) any factor that could have affected the results, such as any incident or any operating details not specified in this International Standard;
- j) the date of the test.

This page has been intentionally left blank

BSI - British Standards Institution

BSI is the independent national body responsible for preparing British Standards. It presents the UK view on standards in Europe and at the international level. It is incorporated by Royal Charter.

Revisions

British Standards are updated by amendment or revision. Users of British Standards should make sure that they possess the latest amendments or editions.

It is the constant aim of BSI to improve the quality of our products and services. We would be grateful if anyone finding an inaccuracy or ambiguity while using this British Standard would inform the Secretary of the technical committee responsible, the identity of which can be found on the inside front cover. Tel: +44 (0)20 8996 9000. Fax: +44 (0)20 8996 7400.

BSI offers members an individual updating service called PLUS which ensures that subscribers automatically receive the latest editions of standards.

Buying standards

Orders for all BSI, international and foreign standards publications should be addressed to Customer Services. Tel: +44 (0)20 8996 9001. Fax: +44 (0)20 8996 7001 Email: orders@bsigroup.com You may also buy directly using a debit/credit card from the BSI Shop on the Website <http://www.bsigroup.com/shop>

In response to orders for international standards, it is BSI policy to supply the BSI implementation of those that have been published as British Standards, unless otherwise requested.

Information on standards

BSI provides a wide range of information on national, European and international standards through its Library and its Technical Help to Exporters Service. Various BSI electronic information services are also available which give details on all its products and services. Contact Information Centre. Tel: +44 (0)20 8996 7111 Fax: +44 (0)20 8996 7048 Email: info@bsigroup.com

Subscribing members of BSI are kept up to date with standards developments and receive substantial discounts on the purchase price of standards. For details of these and other benefits contact Membership Administration. Tel: +44 (0)20 8996 7002 Fax: +44 (0)20 8996 7001 Email: membership@bsigroup.com

Information regarding online access to British Standards via British Standards Online can be found at <http://www.bsigroup.com/BSOL>

Further information about BSI is available on the BSI website at <http://www.bsigroup.com>

Copyright

Copyright subsists in all BSI publications. BSI also holds the copyright, in the UK, of the publications of the international standardization bodies. Except as permitted under the Copyright, Designs and Patents Act 1988 no extract may be reproduced, stored in a retrieval system or transmitted in any form or by any means – electronic, photocopying, recording or otherwise – without prior written permission from BSI.

This does not preclude the free use, in the course of implementing the standard, of necessary details such as symbols, and size, type or grade designations. If these details are to be used for any other purpose than implementation then the prior written permission of BSI must be obtained.

Details and advice can be obtained from the Copyright and Licensing Manager. Tel: +44 (0)20 8996 7070 Email: copyright@bsigroup.com