

BS ISO 13074:2012



BSI Standards Publication

Analogue quartz clocks — Fitting dimensions of movements to hands

bsi.

...making excellence a habit.™

National foreword

This British Standard is the UK implementation of ISO 13074:2012.

The UK participation in its preparation was entrusted to Technical Committee STI/53, Specifications and test methods for jewellery and horology.

A list of organizations represented on this committee can be obtained on request to its secretary.

This publication does not purport to include all the necessary provisions of a contract. Users are responsible for its correct application.

© The British Standards Institution 2012. Published by BSI Standards Limited 2012

ISBN 978 0 580 66196 9

ICS 39.040.20

Compliance with a British Standard cannot confer immunity from legal obligations.

This British Standard was published under the authority of the Standards Policy and Strategy Committee on 31 July 2012.

Amendments issued since publication

Date	Text affected
------	---------------

Analogue quartz clocks — Fitting dimensions of movements to hands

*Pendules et pendulettes analogiques à quartz — Dimensions
d'ajustement des mouvements et des aiguilles*





COPYRIGHT PROTECTED DOCUMENT

© ISO 2012

All rights reserved. Unless otherwise specified, no part of this publication may be reproduced or utilized in any form or by any means, electronic or mechanical, including photocopying and microfilm, without permission in writing from either ISO at the address below or ISO's member body in the country of the requester.

ISO copyright office
Case postale 56 • CH-1211 Geneva 20
Tel. + 41 22 749 01 11
Fax + 41 22 749 09 47
E-mail copyright@iso.org
Web www.iso.org

Published in Switzerland

Foreword

ISO (the International Organization for Standardization) is a worldwide federation of national standards bodies (ISO member bodies). The work of preparing International Standards is normally carried out through ISO technical committees. Each member body interested in a subject for which a technical committee has been established has the right to be represented on that committee. International organizations, governmental and non-governmental, in liaison with ISO, also take part in the work. ISO collaborates closely with the International Electrotechnical Commission (IEC) on all matters of electrotechnical standardization.

International Standards are drafted in accordance with the rules given in the ISO/IEC Directives, Part 2.

The main task of technical committees is to prepare International Standards. Draft International Standards adopted by the technical committees are circulated to the member bodies for voting. Publication as an International Standard requires approval by at least 75 % of the member bodies casting a vote.

Attention is drawn to the possibility that some of the elements of this document may be the subject of patent rights. ISO shall not be held responsible for identifying any or all such patent rights.

ISO 13074 was prepared by Technical Committee ISO/TC 114, *Horology*.

Introduction

The annual world trade of clocks represents hundreds of millions of units. Clock design, trade and after-sale service are complicated by the lack of standards in many areas. One of them is the fitting dimensions of movements to hands.

As there are no coherent standards to be referred to, unlimited numbers of fitting dimensions are used by the producers, increasing the stocks and the production costs of movements and hands. This also causes unnecessary problems between suppliers and purchasers because of the large numbers of available adjustments.

A standard dedicated to the fitting dimensions of movements to hands will significantly minimize the number of pieces and improve interchangeability. The aim is also to increase productivity, reduce production costs and reduce stocks, thus facilitating the global trade of quartz clocks.

Analogue quartz clocks — Fitting dimensions of movements to hands

1 Scope

This International Standard specifies the fitting dimensions of movements to hands. It is applicable to analogue quartz table and wall clock movements, with and without alarm, that have the following properties:

- minute wheel shafts with an outer diameter of between 1,3 mm and 3,6 mm;
- hour wheel, minute wheel, second wheel and alarm wheel shafts made of metal and plastic material.

This International Standard can be referenced for other types of analogue quartz clock movements.

2 Normative references

The following referenced documents are indispensable for the application of this document. For dated references, only the edition cited applies. For undated references, the latest edition of the referenced document (including any amendments) applies.

ISO 286-1, *Geometrical product specifications (GPS) — ISO code system for tolerances on linear sizes — Part 1: Basis of tolerances, deviations and fits*

ISO 286-2, *Geometrical product specifications (GPS) — ISO code system for tolerances on linear sizes — Part 2: Tables of standard tolerance classes and limit deviations for holes and shafts*

ISO 1119, *Geometrical product specifications (GPS) — Series of conical tapers and taper angles*

3 Terms and definitions

For the purposes of this document, the terms and definitions given in ISO 286-1, ISO 286-2 and ISO 1119 apply.

4 Symbols and abbreviated terms

See Figure 1 to Figure 4.

d_1, D_1	fitting nominal diameter of hour wheel shaft and hour hand
d_2, D_2	fitting nominal diameter of minute wheel shaft and minute hand
d_3, D_3	fitting nominal diameter of second wheel shaft and second hand
d_4, D_4	fitting nominal diameter of alarm wheel shaft and alarm hand
h_1	assembled height of hour wheel shaft to hour hand
h_2	assembled height of minute wheel shaft to minute hand
h_3	assembled height of second wheel shaft to second hand
h_4	assembled height of alarm wheel shaft to alarm hand

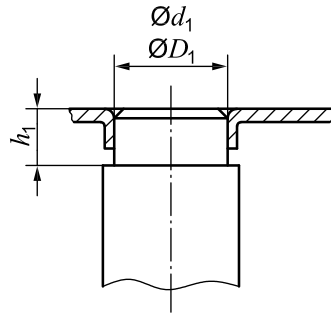


Figure 1 — Fitting dimensions of hour wheel shaft and hour hand

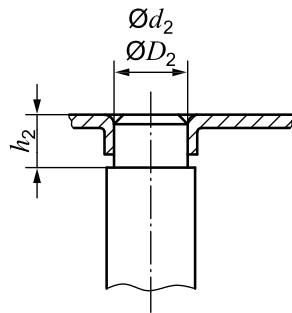


Figure 2 — Fitting dimensions of minute wheel shaft and minute hand

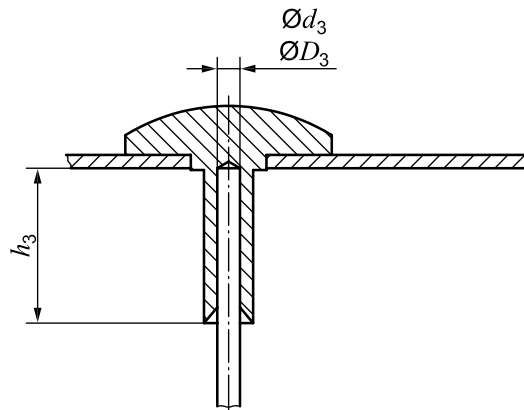


Figure 3 — Fitting dimensions of second wheel shaft and second hand

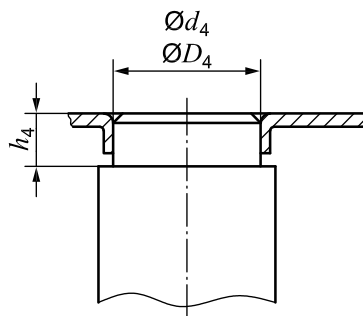


Figure 4 — Fitting dimensions of alarm wheel shaft and alarm hand

NOTE 1 The hour, minute, second and alarm wheel shafts can be cone- or cylinder-shaped and can be straight without step. Other shapes are also feasible, for instance cylindrical with two flat sides. When the shaft is cone-shaped, the dimension d indicates the top end of the shaft.

NOTE 2 In many kinds of movements, the minute wheel shaft and minute hand have an oblong shape. This International Standard does not take this shape into account.

5 Assembled heights and nominal diameters

5.1 Movements without alarm

The dimensions for movements without alarm are given in Table 1.

Table 1 — Dimensions for movements without alarm

Dimensions in millimetres

h_1, h_2	h_3	d_1 and D_1 \emptyset	d_2 and D_2 \emptyset	d_3 and D_3 \emptyset
0,7	2,0	3,1	2,2	0,5
1,0	3,0	3,6	2,5	0,6
2,5	4,0	5,0	(3,17)	0,9
2,8	5,0	5,5	3,2	1,0
3,1	6,0		3,6	

NOTE Values with parentheses are auxiliary dimensions.

5.2 Movements with alarm

The dimensions for movements with alarm are given in Table 2.

Table 2 — Dimensions for movements with alarm

Dimensions in millimetres

h_1, h_2	h_3	h_4	d_1 and D_1 \emptyset	d_2 and D_2 \emptyset	d_3 and D_3 \emptyset	d_4 and D_4 \emptyset
	1,0			1,30		
0,6	1,5	0,6	2,00	1,40	0,35	3,00
0,8	2,0	0,8	2,15	1,70	0,40	3,60
0,9	2,2	0,9	2,60	1,85	0,50	4,40
1,0	2,5	1,0	3,20	2,00	0,80	(4,45)
1,6	2,8	1,5	3,60	2,30	1,00	5,00
	3,0		4,00	2,50		5,30
	3,5			3,00		

NOTE Values with parentheses are auxiliary dimensions.

6 Assembling the fitting

Experience has shown that tightening values are included in a range from 0,01 mm to 0,09 mm, depending on the materials used for wheel shafts and hands. Manufacturers select the fit tolerance accordingly.

To obtain these tightening values, the fit tolerances of hour, minute, second and alarm wheel shafts can be chosen in h9, js9,5 and k9,5. As an auxiliary tolerance, d9,5 can be used.

7 Taper

If the hour, minute, second or alarm wheel shaft is cone-shaped, the taper can be applied at 1:50 to 1:10.

British Standards Institution (BSI)

BSI is the national body responsible for preparing British Standards and other standards-related publications, information and services.

BSI is incorporated by Royal Charter. British Standards and other standardization products are published by BSI Standards Limited.

About us

We bring together business, industry, government, consumers, innovators and others to shape their combined experience and expertise into standards-based solutions.

The knowledge embodied in our standards has been carefully assembled in a dependable format and refined through our open consultation process. Organizations of all sizes and across all sectors choose standards to help them achieve their goals.

Information on standards

We can provide you with the knowledge that your organization needs to succeed. Find out more about British Standards by visiting our website at bsigroup.com/standards or contacting our Customer Services team or Knowledge Centre.

Buying standards

You can buy and download PDF versions of BSI publications, including British and adopted European and international standards, through our website at bsigroup.com/shop, where hard copies can also be purchased.

If you need international and foreign standards from other Standards Development Organizations, hard copies can be ordered from our Customer Services team.

Subscriptions

Our range of subscription services are designed to make using standards easier for you. For further information on our subscription products go to bsigroup.com/subscriptions.

With **British Standards Online (BSOL)** you'll have instant access to over 55,000 British and adopted European and international standards from your desktop. It's available 24/7 and is refreshed daily so you'll always be up to date.

You can keep in touch with standards developments and receive substantial discounts on the purchase price of standards, both in single copy and subscription format, by becoming a **BSI Subscribing Member**.

PLUS is an updating service exclusive to BSI Subscribing Members. You will automatically receive the latest hard copy of your standards when they're revised or replaced.

To find out more about becoming a BSI Subscribing Member and the benefits of membership, please visit bsigroup.com/shop.

With a **Multi-User Network Licence (MUNL)** you are able to host standards publications on your intranet. Licences can cover as few or as many users as you wish. With updates supplied as soon as they're available, you can be sure your documentation is current. For further information, email bsmusales@bsigroup.com.

BSI Group Headquarters

389 Chiswick High Road London W4 4AL UK

Revisions

Our British Standards and other publications are updated by amendment or revision.

We continually improve the quality of our products and services to benefit your business. If you find an inaccuracy or ambiguity within a British Standard or other BSI publication please inform the Knowledge Centre.

Copyright

All the data, software and documentation set out in all British Standards and other BSI publications are the property of and copyrighted by BSI, or some person or entity that owns copyright in the information used (such as the international standardization bodies) and has formally licensed such information to BSI for commercial publication and use. Except as permitted under the Copyright, Designs and Patents Act 1988 no extract may be reproduced, stored in a retrieval system or transmitted in any form or by any means – electronic, photocopying, recording or otherwise – without prior written permission from BSI. Details and advice can be obtained from the Copyright & Licensing Department.

Useful Contacts:

Customer Services

Tel: +44 845 086 9001

Email (orders): orders@bsigroup.com

Email (enquiries): cservices@bsigroup.com

Subscriptions

Tel: +44 845 086 9001

Email: subscriptions@bsigroup.com

Knowledge Centre

Tel: +44 20 8996 7004

Email: knowledgecentre@bsigroup.com

Copyright & Licensing

Tel: +44 20 8996 7070

Email: copyright@bsigroup.com



...making excellence a habit.™