

Connections for hydraulic fluid power and general use — Hose fittings —

**Part 5: Hose fittings with
ISO 8434-2 37° flared ends**

ICS 23.040.70; 23.100.40

National foreword

This British Standard is the UK implementation of ISO 12151-5:2007.

The UK participation in its preparation was entrusted by Technical Committee MCE/18, Fluid power systems and components, to Panel MCE/18/-/4, Connectors and associated components.

A list of organizations represented on this committee can be obtained on request to its secretary.

This publication does not purport to include all the necessary provisions of a contract. Users are responsible for its correct application.

Compliance with a British Standard cannot confer immunity from legal obligations.

This British Standard was published under the authority of the Standards Policy and Strategy Committee on 31 August 2007

© BSI 2007

ISBN 978 0 580 55707 1

Amendments issued since publication

Amd. No.	Date	Comments

INTERNATIONAL
STANDARD

ISO
12151-5

First edition
2007-07-15

**Connections for hydraulic fluid power
and general use — Hose fittings —**

Part 5:

**Hose fittings with ISO 8434-2 37° flared
ends**

*Raccordements pour transmissions hydrauliques et applications
générales — Flexibles de raccordement —*

*Partie 5: Flexibles avec embouts évasés à 37° conformes à
l'ISO 8434-2*



Reference number
ISO 12151-5:2007(E)

Contents

Page

Foreword	iv
Introduction	v
1 Scope	1
2 Normative references	1
3 Terms and definitions	2
4 Performance requirements	2
5 Designation of hose fittings	2
6 Design	3
7 Manufacture	3
8 Procurement information	4
9 Marking	4
10 Identification statement (reference to this part of ISO 12151).....	4
Annex A (informative) Application illustrations for short, medium and long elbows	10
Bibliography	11

Foreword

ISO (the International Organization for Standardization) is a worldwide federation of national standards bodies (ISO member bodies). The work of preparing International Standards is normally carried out through ISO technical committees. Each member body interested in a subject for which a technical committee has been established has the right to be represented on that committee. International organizations, governmental and non-governmental, in liaison with ISO, also take part in the work. ISO collaborates closely with the International Electrotechnical Commission (IEC) on all matters of electrotechnical standardization.

International Standards are drafted in accordance with the rules given in the ISO/IEC Directives, Part 2.

The main task of technical committees is to prepare International Standards. Draft International Standards adopted by the technical committees are circulated to the member bodies for voting. Publication as an International Standard requires approval by at least 75 % of the member bodies casting a vote.

Attention is drawn to the possibility that some of the elements of this document may be the subject of patent rights. ISO shall not be held responsible for identifying any or all such patent rights.

ISO 12151-5 was prepared by Technical Committee ISO/TC 131, *Fluid power systems*, Subcommittee SC 4, *Connectors and similar products and components*.

ISO 12151 consists of the following parts, under the general title *Connections for hydraulic fluid power and general use — Hose fittings*:

- *Part 1: Hose fittings with ISO 8434-3 O-ring face seal ends*
- *Part 2: Hose fittings with ISO 8434-1 and 8434-4 24° cone connector ends with O-rings*
- *Part 3: Hose fittings with ISO 6162-1 or ISO 6162-2 flange ends*
- *Part 4: Hose fittings with ISO 6149 metric stud ends*
- *Part 5: Hose fittings with ISO 8434-2 37° flared ends*
- *Part 6: Hose fittings with ISO 8434-6 60° cone ends*

.....

Introduction

In hydraulic fluid power systems, power is transmitted and controlled through a liquid under pressure within an enclosed circuit. In general applications, the fluid can be conveyed under pressure.

Components are connected through their ports by stud ends on fluid conductor connectors to tubes and pipes or to hose fittings and hoses.

.....

Connections for hydraulic fluid power and general use — Hose fittings —

Part 5: Hose fittings with ISO 8434-2 37° flared ends

1 Scope

This part of ISO 12151 specifies the general and dimensional requirements for the design and performance of 37° flared hose fittings in accordance with ISO 8434-2, made of carbon steel, for nominal hose sizes of 6,3 mm through 51 mm inclusive in accordance with ISO 4397.

NOTE 1 Other materials can be supplied as agreed between the manufacturer and user.

NOTE 2 See ISO 4038 and ISO 4039 for hose fittings used in hydraulic and pneumatic braking systems on road vehicles (as defined in the scope of ISO/TC 22).

These hose fittings (see Figure 1 for a typical example) are for use in hydraulic fluid power systems with hose that meets the requirements of the respective hose standards and in general applications with suitable hose.

2 Normative references

The following referenced documents are indispensable for the application of this document. For dated references, only the edition cited applies. For undated references, the latest edition of the referenced document (including any amendments) applies.

ISO 68-2, *ISO general-purpose screw threads — Basic profile — Part 2: Inch screw threads*

ISO 263, *ISO inch screw threads — General plan and selection for screws, bolts and nuts — Diameter range 0.06 to 6 in*

ISO 4397, *Fluid power systems and components — Connectors and associated components — Nominal outside diameters of tubes and nominal inside diameters of hoses*

ISO 4759-1:2000, *Tolerances for fasteners — Part 1: Bolts, screws, studs and nuts — Product grades A, B and C*

ISO 5598, *Fluid power systems and components — Vocabulary*

ISO 6149-1, *Connections for hydraulic fluid power and general use — Ports and stud ends with ISO 261 metric threads and O-ring sealing — Part 1: Ports with truncated housing for O-ring seal*

ISO 6605, *Hydraulic fluid power — Hoses and hose assemblies — Test methods*

ISO 8434-2:—¹⁾, *Metallic tube connections for fluid power and general use — Part 2: 37° flared connectors*

1) To be published. Revision of ISO 8434-2:1994

ISO 9227, *Corrosion tests in artificial atmospheres — Salt spray tests*

ISO 19879, *Metallic tube connections for fluid power and general use — Test methods for hydraulic fluid power connections*

3 Terms and definitions

For the purposes of this document, the terms and definitions given in ISO 5598 apply.

4 Performance requirements

Hose assemblies shall meet the performance requirements specified in the appropriate hose specification without leakage or failure when tested in accordance with ISO 6605.

The working pressure of the hose assembly shall be the lower of the pressures for that size given in ISO 8434-2 for the end connection or in the relevant hose specification.

The working pressure of the hose fitting shall be verified through testing conducted in accordance with ISO 19879, but the entire hose assembly shall be tested in accordance with ISO 6605. During the cyclic endurance test, the hose fitting shall be subjected to the number of cycles specified in the relevant hose specification.

5 Designation of hose fittings

5.1 Hose fittings shall be designated by an alphanumeric code to facilitate ordering. They shall be designated by the words “Hose fitting”, followed by “ISO 12151-5”, followed by a spaced hyphen, then the connection type and shape letter symbol, followed by another spaced hyphen, the 37° flared-end size (tube outside diameter in accordance with ISO 8434-2) and the hose size (nominal hose inside diameter in accordance with ISO 4397), each separated by a multiplication symbol (×).

EXAMPLE A female swivel 45° elbow for 12 mm OD tubing and 12,5 mm nominal ID hose, is designated as follows:

Hose fitting ISO 12151-5 - SWE45 - 12 × 12,5

5.2 The following letter symbols shall be used:

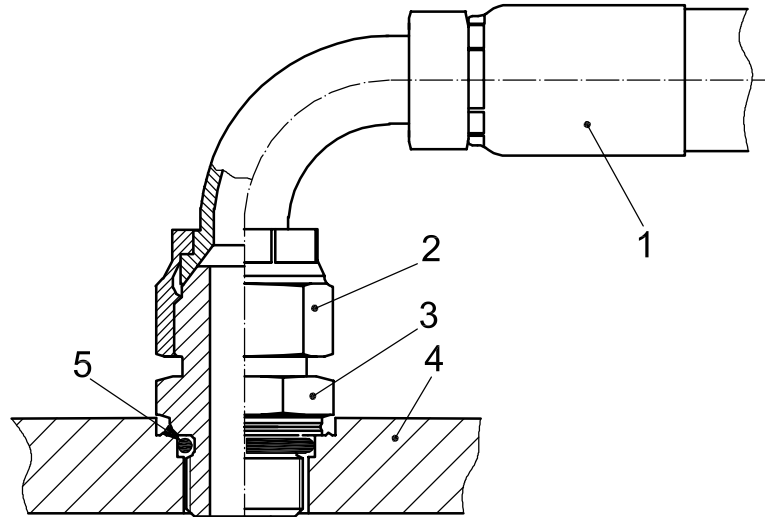
Connection end type	Symbol
Swivel	SW

Shape	Symbol
Straight	S
45° elbow	E45
90° elbow — short	ES
90° elbow — medium	EM
90° elbow — long	EL

5.3 Tube ends are assumed to be male type and thus do not need to be included in the code. However, if another type of end is involved, it shall be designated.

6 Design

6.1 Figure 1 shows a typical example of a hose fitting with 37° flared end.



Key

- 1 hose fitting
- 2 nut
- 3 straight stud connector (ISO 8434-2)
- 4 port (ISO 6149-1)
- 5 O-ring seal

Figure 1 — Typical example of hose fitting connection with 37° flared end

6.2 Hose fitting dimensions shown in Figures 2 through 5 shall conform to those given in Tables 1 through 4 and to the relevant dimensions given in ISO 8434-2.

6.3 Hex tolerances across flats shall be in accordance with ISO 4759-1:2000, product grade C.

6.4 The angular tolerance on axis of ends of elbows shall be $\pm 3^\circ$ for all sizes.

6.5 Details of contour shall be as chosen by the manufacturer, provided that the dimensions given in Tables 1 through 4 are maintained.

6.6 The screw threads on the flare connection ends of the hose fittings shall be inch screw threads in accordance with ISO 263 and ISO 68-2.

7 Manufacture

7.1 Construction

Hose fittings may be forged, cold-formed, machined from barstock or manufactured from multiple components.

7.2 Workmanship

Workmanship shall conform to the best commercial practice to produce high quality hose fittings. Hose fittings shall be free from visual contaminants, all hanging burrs, loose scale and slivers that can be dislodged in use, and any other defects that might affect the function of the parts. All machined surfaces shall have a surface roughness value, *R_{max}*, of 6,3 μm , except where otherwise specified.

7.3 Finish

The external surface and threads of all carbon steel parts shall be plated or coated with a suitable material that passes a 72 h neutral salt spray test in accordance with ISO 9227, unless otherwise agreed upon by the manufacturer and the user. Any appearance of red rust during the salt spray test on any area, except those noted below, shall render that part a failure:

- all internal fluid passages;
- edges, such as hex points, serrations and crests of threads where there may be mechanical deformation of the plating or coating typical of mass-produced parts or shipping effects;
- areas where there is mechanical deformation of the plating or coating caused by crimping, flaring, bending and other post-plate metal forming operations;
- areas where the parts are suspended or affixed in the test chamber where condensate can accumulate.

Internal fluid passages shall be protected from corrosion during storage.

NOTE Cadmium plating is not preferred due to environmental concerns. Changes in plating can affect assembly torques and require requalification, when applicable.

7.4 Protection

By a method agreed upon between manufacturer and user, the sealing surfaces of the hose fittings shall be protected by the manufacturer from nicks and scratches that would be detrimental to the function of the hose fitting. Passages shall be securely covered to prevent contamination by dirt or other pollutants.

8 Procurement information

The following information should be supplied by the purchaser when making an inquiry or placing an order:

- description of hose fitting (using designation in accordance with Clause 5);
- material of hose fitting (if other than carbon steel);
- hose type and size;
- fluid to be conveyed;
- working pressure;
- working temperatures (both ambient and fluid).

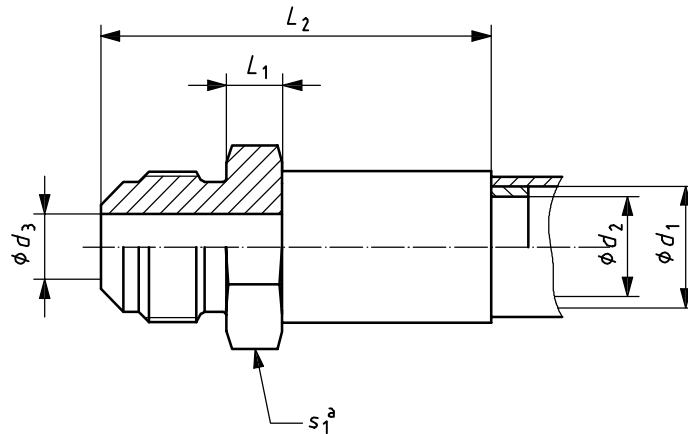
9 Marking

Hose fittings shall be permanently marked with the manufacturer's name or trademark.

10 Identification statement (reference to this part of ISO 12151)

It is strongly recommended to manufacturers who have chosen to conform to this part of ISO 12151 that the following statement be used in test reports, catalogues and sales literature:

“Hose fittings with 37° flared ends in accordance with ISO 12151-5:2007, *Connections for hydraulic fluid power and general use — Hose fittings — Part 5: Hose fittings with ISO 8434-2 37° flared ends.*”



NOTE 1 Connection details in accordance with ISO 8434-2.

NOTE 2 Method of attachment of fitting to hose is optional.

^a Across flats.

Figure 2 — Straight male hose fitting (S)

Table 1 — Dimensions of straight male hose fitting (S)

Dimensions in millimetres

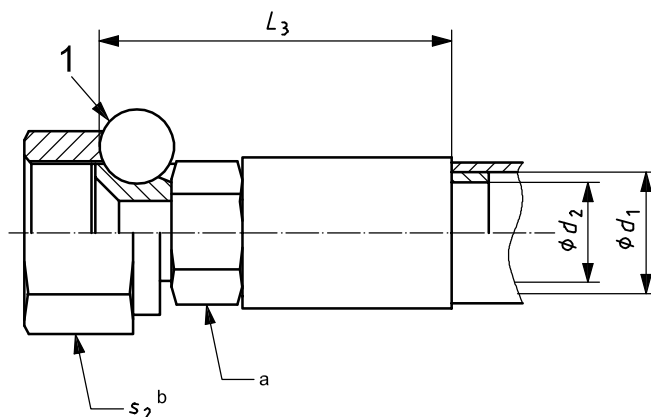
Hose fitting size	Thread ^a	Nominal connection size	d_1 Hose size nom.	d_2 ^b		d_3 ^c		L_1 min.	L_2 ^d max.	s_1 hex
				min.	max.	min.	max.			
6 × 6,3	7/16-20 UNF	6	6,3	3	4,6	5,5	75	12		
8 × 8	1/2-20 UNF	8	8	5	6,2	6	80	14		
10 × 10	9/16-18 UNF	10	10	6	7,7	6,5	85	17		
12 × 12,5	3/4-16 UNF	12	12,5	8	10,1	7,5	100	19		
16 × 16	7/8-14 UNF	16	16	11	12,6	9,5	110	24		
20 × 19	1 1/16-12 UN	20	19	14	15,8	10,5	120	27		
25 × 25	1 5/16-12 UN	25	25	19	21,8	13,5	135	36		
32 × 31,5	1 5/8-12 UN	32	31,5	25	27,8	16	145	46		
38 × 38	1 7/8-12 UN	38	38	31	33,4	17	160	50		
50 × 51	2 1/2-12 UN	50	51	42	45,4	20	225	65		

^a For the general plan of threads, see ISO 263; also see provisions for screw threads in ISO 68-2 and ISO 5864:1993, class 2A.

^b Minimum diameter at any point through the hose fitting prior to assembly to the hose. The diameter after assembly shall not be less than $0,9d_2$.

^c Dimension d_3 is in accordance with ISO 8434-2, except the minimum diameter for d_3 shall not be less than d_2 . Transition between diameters d_2 (hose nipple through diameter) and d_3 (through diameter of the 37° flared end) shall be located to minimize stress concentration.

^d Dimension L_2 is measured after assembly.



NOTE 1 Connection details in accordance with ISO 8434-2.

NOTE 2 Method of attachment of fitting to hose is optional.

NOTE 3 Method of attachment of swivel nut is as chosen by the manufacturer.

Key

- 1 swivel nut
- a Hex optional.
- b Across flats.

Figure 3 — Straight female swivel hose fitting (SWS)

Table 2 — Dimensions of straight female swivel hose fitting (SWS)

Dimensions in millimetres

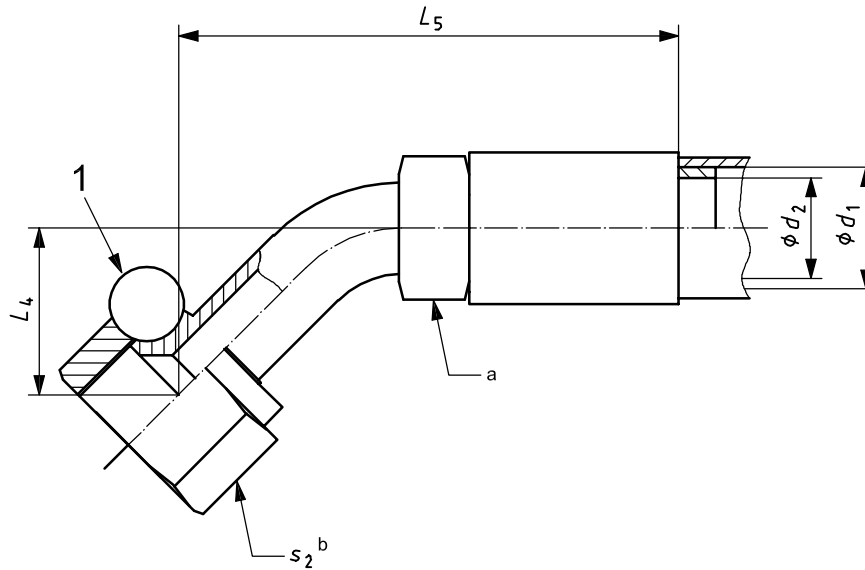
Hose fitting size	Thread ^a	Nominal connection size	Hose size	d_2 ^b	L_3 ^c	s_2 ^d
			d_1 nom.			
6 × 6,3	7/16-20 UNF	6	6,3	3	75	14
8 × 8	1/2-20 UNF	8	8	5	80	17
10 × 10	9/16-18 UNF	10	10	6	85	19
12 × 12,5	3/4-16 UNF	12	12,5	8	100	22
16 × 16	7/8-14 UNF	16	16	11	110	27
20 × 19	1 1/16-12 UN	20	19	14	115	32
25 × 25	1 5/16-12 UN	25	25	19	140	41
32 × 31,5	1 5/8-12 UN	32	31,5	25	160	50
38 × 38	1 7/8-12 UN	38	38	31	175	60
50 × 51	2 1/2-12 UN	50	51	42	210	75

^a For the general plan of threads, see ISO 263; also see provisions for screw threads in ISO 68-2 and ISO 5864:1993, class 2A.

^b Minimum diameter at any point through the hose fitting prior to assembly to the hose. The diameter after assembly shall not be less than $0,9d_2$.

^c Dimension L_3 is measured after assembly.

^d In accordance with ISO 4759-1:2000, product grade C.



NOTE 1 Connection details in accordance with ISO 8434-2.

NOTE 2 Method of attachment of fitting to hose is optional.

NOTE 3 Method of attachment of swivel nut is as chosen by the manufacturer.

Key

- 1 swivel nut
- a Hex optional.
- b Across flats.

Figure 4 — 45° elbow female swivel hose fitting (SWE45)

Table 3 — Dimensions of 45° elbow female swivel hose fitting (SWE45)

Dimensions in millimetres

Hose fitting size	Thread ^a	Nominal connection size	Hose size d_1 nom.	d_2^b min.	L_4		L_5^c max.	s_2^d hex min.
					SWE45S $\pm 1,5$	SWE45M $\pm 1,5$		
6 × 6,3	7/16-20 UNF	6	6,3	3	10	—	90	14
8 × 8	1/2-20 UNF	8	8	5	10	—	90	17
10 × 10	9/16-18 UNF	10	10	6	11	—	95	19
12 × 12,5	3/4-16 UNF	12	12,5	8	15	—	110	22
16 × 16	7/8-14 UNF	16	16	11	16	—	120	27
20 × 19	1 1/16-12 UN	20	19	14	21	—	145	32
25 × 25	1 5/16-12 UN	25	25	19	24	—	175	41
32 × 31,5	1 5/8-12 UN	32	31,5	25	25 ^e	32	200	50
38 × 38	1 7/8-12 UN	38	38	31	27 ^e	42	240	60
50 × 51	2 1/2-12 UN	50	51	42	34	—	290	75

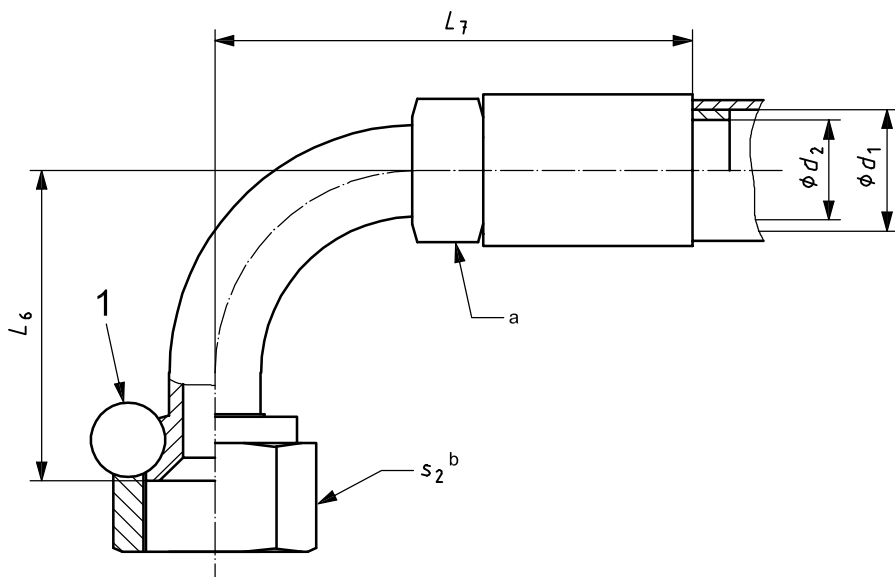
^a For the general plan of threads, see ISO 263; also see provisions for screw threads in ISO 68-2 and ISO 5864:1993, class 2A.

^b Minimum diameter at any point through the hose fitting prior to bending and/or assembly to the hose. The diameter after bending and/or assembly shall not be less than $0,9d_2$.

^c Dimension L_4 is measured after assembly.

^d In accordance with ISO 4759-1:2000, product grade C.

^e Short-drop (SWES) hose fittings in hose fitting sizes (32 × 31,5) mm and (38 × 38) mm are not suitable for use with flexible spiral wire hose (flexible aviation type) at high pressures (which typically are designed for working pressures of 21 MPa or 17,5 MPa and higher in sizes 31,5 mm and 38 mm respectively) manufactured by preferred methods. Use preferred medium-drop hose fittings (SWEM) or consult manufacturer for availability.



NOTE 1 Connection details in accordance with ISO 8434-2.

NOTE 2 Method of attachment of fitting to hose is optional.

NOTE 3 Method of attachment of swivel nut is as chosen by the manufacturer.

Key

1 swivel nut

a Hex optional.

b Across flats.

**Figure 5 — 90° elbow female swivel hose fittings
[short (SWES), medium (SWEM) and long (SWEL)]**

**Table 4 — Dimensions of 90° elbow female swivel hose fittings
[short (SWES), medium (SWEM) and long (SWEL)]**

Dimensions in millimetres

Hose fitting size	Thread ^a	Nominal connection size	Hose size d_1 nom.	d_2 ^b min.	L_6			L_7 ^f max.	s_2 ^g hex
					SWES ^c $\pm 1,5$	SWEM ^d $\pm 1,5$	SWEL ^e $\pm 1,5$		
6 × 6,3	7/16-20 UNF	6	6,3	3	21	32	46	85	14
8 × 8	1/2-20 UNF	8	8	5	21	32	46	85	17
10 × 10	9/16-18 UNF	10	10	6	23	38	54	90	19
12 × 12,5	3/4-16 UNF	12	12,5	8	29	41	64	100	22
16 × 16	7/8-14 UNF	16	16	11	32	47	70	110	27
20 × 19	11/16-12 UN	20	19	14	48	58	96	140	32
25 × 25	15/16-12 UN	25	25	19	56	71	114	170	41
32 × 31,5	15/8-12 UN	32	31,5	25	64 ^h	78	129	200	50
38 × 38	17/8-12 UN	38	38	31	69 ^h	86	141	230	60
50 × 51	2 1/2-12 UN	50	51	42	88	140	222	280	75

^a For the general plan of threads, see ISO 263; also see provisions for screw threads in ISO 68-2 and ISO 5864:1993, class 2A.

^b Minimum diameter at any point through the hose fitting prior to bending and/or assembly to the hose. The diameter after bending and/or assembly shall not be less than $0,9d_2$.

^c Short-drop (SWES) dimensions. See Annex A.

^d Medium-drop (SWEM) dimensions. Medium-drop hose fittings will clear 90° adjustable stud elbow (SDE) per ISO 8434-2:—, Figure 15. See Annex A.

^e Long-drop (SWEL) dimensions. Long-drop hose fittings will clear short-drop (SWES) hose fittings. See Annex A.

^f Dimension L_7 is measured after assembly.

^g In accordance with ISO 4759-1:2000, product grade C.

^h Short-drop (SWES) hose fittings in hose fitting sizes (32 × 31,5) mm and (38 × 38) mm are not suitable for use with flexible spiral wire hose (flexible aviation type) at high pressures (which typically are designed for working pressures of 21 MPa or 17,5 MPa and higher in sizes, 31,5 mm and 38 mm respectively) manufactured by preferred methods. Use preferred medium-drop hose fittings (SWEM) or consult manufacturer for availability.

Annex A
(informative)

Application illustrations for short, medium and long elbows

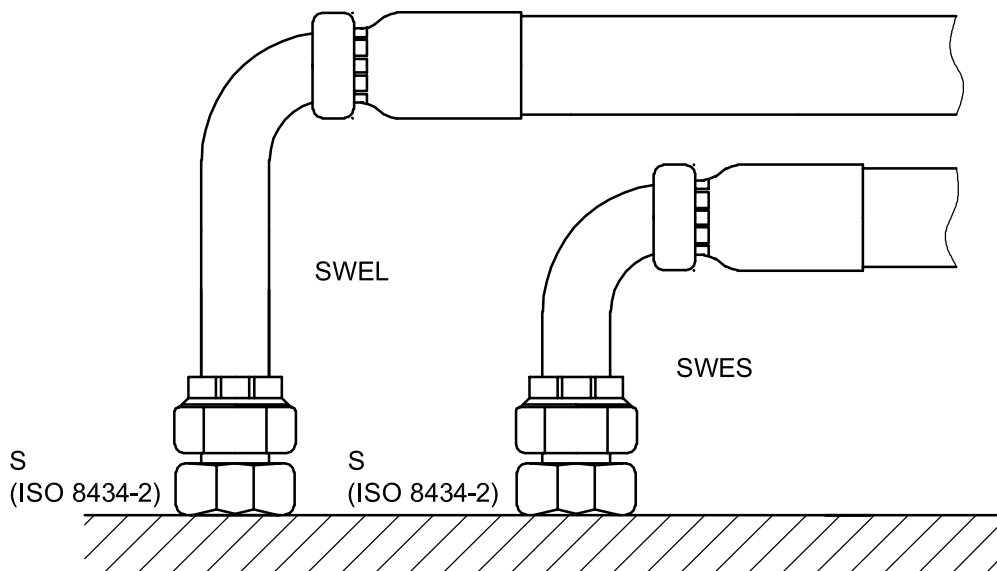


Figure A.1 — Installation of a short swivel elbow hose fitting next to a long swivel elbow hose fitting

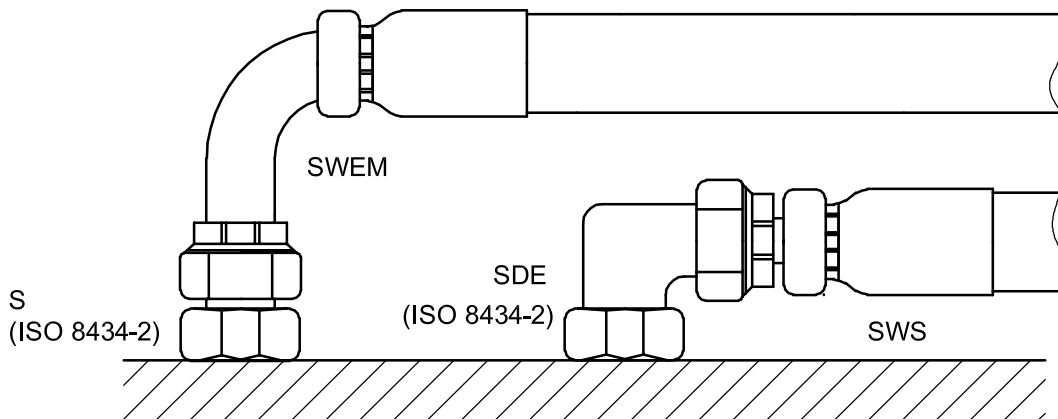


Figure A.2 — Installation of a combination of a stud elbow connector with swivel straight hose fitting next to a medium swivel elbow hose fitting

Bibliography

- [1] ISO 1436-1, *Rubber hoses and hose assemblies — Wire-braid-reinforced hydraulic types — Specification — Part 1: Oil-based fluid applications*
- [2] ISO 3862-1, *Rubber hoses and hose assemblies — Rubber-covered spiral-wire-reinforced hydraulic types — Specification — Part 1: Oil-based fluid applications*
- [3] ISO 3949, *Plastics hoses and hose assemblies — Textile-reinforced types for hydraulic applications — Specification*
- [4] ISO 4038, *Road vehicles — Hydraulic braking systems — Simple flare pipes, tapped holes, male fittings and hose end fittings*
- [5] ISO 4039-1, *Road vehicles — Pneumatic braking systems — Part 1: Pipes, male fittings and tapped holes with facial sealing surface*
- [6] ISO 4039-2, *Road vehicles — Pneumatic braking systems — Part 2: Pipes, male fittings and holes with conical sealing surface*
- [7] ISO 4079-1, *Rubber hoses and hose assemblies — Textile-reinforced hydraulic types — Specification — Part 1: Oil-based fluid applications*
- [8] ISO 5864:1993, *ISO inch screw threads — Allowances and tolerances*
- [9] ISO 6149-1, *Connections for hydraulic fluid power and general use — Ports and stud ends with ISO 261 metric threads and O-ring sealing — Part 1: Ports with truncated housing for O-ring seal*
- [10] ISO 11237-1, *Rubber hoses and hose assemblies — Wire-braid-reinforced compact types for hydraulic applications — Specification — Part 1: Oil-based fluid applications*

BSI — British Standards Institution

BSI is the independent national body responsible for preparing British Standards. It presents the UK view on standards in Europe and at the international level. It is incorporated by Royal Charter.

Revisions

British Standards are updated by amendment or revision. Users of British Standards should make sure that they possess the latest amendments or editions.

It is the constant aim of BSI to improve the quality of our products and services. We would be grateful if anyone finding an inaccuracy or ambiguity while using this British Standard would inform the Secretary of the technical committee responsible, the identity of which can be found on the inside front cover.
Tel: +44 (0)20 8996 9000. Fax: +44 (0)20 8996 7400.

BSI offers members an individual updating service called PLUS which ensures that subscribers automatically receive the latest editions of standards.

Buying standards

Orders for all BSI, international and foreign standards publications should be addressed to Customer Services. Tel: +44 (0)20 8996 9001.
Fax: +44 (0)20 8996 7001. Email: orders@bsi-global.com. Standards are also available from the BSI website at <http://www.bsi-global.com>.

In response to orders for international standards, it is BSI policy to supply the BSI implementation of those that have been published as British Standards, unless otherwise requested.

Information on standards

BSI provides a wide range of information on national, European and international standards through its Library and its Technical Help to Exporters Service. Various BSI electronic information services are also available which give details on all its products and services. Contact the Information Centre.
Tel: +44 (0)20 8996 7111. Fax: +44 (0)20 8996 7048. Email: info@bsi-global.com.

Subscribing members of BSI are kept up to date with standards developments and receive substantial discounts on the purchase price of standards. For details of these and other benefits contact Membership Administration.
Tel: +44 (0)20 8996 7002. Fax: +44 (0)20 8996 7001.
Email: membership@bsi-global.com.

Information regarding online access to British Standards via British Standards Online can be found at <http://www.bsi-global.com/bsonline>.

Further information about BSI is available on the BSI website at <http://www.bsi-global.com>.

Copyright

Copyright subsists in all BSI publications. BSI also holds the copyright, in the UK, of the publications of the international standardization bodies. Except as permitted under the Copyright, Designs and Patents Act 1988 no extract may be reproduced, stored in a retrieval system or transmitted in any form or by any means – electronic, photocopying, recording or otherwise – without prior written permission from BSI.

This does not preclude the free use, in the course of implementing the standard, of necessary details such as symbols, and size, type or grade designations. If these details are to be used for any other purpose than implementation then the prior written permission of BSI must be obtained.

Details and advice can be obtained from the Copyright & Licensing Manager.
Tel: +44 (0)20 8996 7070. Fax: +44 (0)20 8996 7553.
Email: copyright@bsi-global.com.