

BS ISO 11040-5:2012



BSI Standards Publication

Prefilled syringes

Part 5: Plunger stoppers for injectables

bsi.

...making excellence a habit.™

National foreword

This British Standard is the UK implementation of ISO 11040-5:2012.

The UK participation in its preparation was entrusted to Technical Committee CH/212, IVDs.

A list of organizations represented on this committee can be obtained on request to its secretary.

This publication does not purport to include all the necessary provisions of a contract. Users are responsible for its correct application.

© The British Standards Institution 2012. Published by BSI Standards Limited 2012

ISBN 978 0 580 78214 5

ICS 11.040.25

Compliance with a British Standard cannot confer immunity from legal obligations.

This British Standard was published under the authority of the Standards Policy and Strategy Committee on 29 February 2012.

Amendments issued since publication

Date	Text affected
------	---------------

Prefilled syringes —

Part 5:
Plunger stoppers for injectables

Seringues préremplies —

Partie 5: Bouchons-pistons pour produits injectables





COPYRIGHT PROTECTED DOCUMENT

© ISO 2012

All rights reserved. Unless otherwise specified, no part of this publication may be reproduced or utilized in any form or by any means, electronic or mechanical, including photocopying and microfilm, without permission in writing from either ISO at the address below or ISO's member body in the country of the requester.

ISO copyright office
Case postale 56 • CH-1211 Geneva 20
Tel. + 41 22 749 01 11
Fax + 41 22 749 09 47
E-mail copyright@iso.org
Web www.iso.org

Published in Switzerland

Foreword

ISO (the International Organization for Standardization) is a worldwide federation of national standards bodies (ISO member bodies). The work of preparing International Standards is normally carried out through ISO technical committees. Each member body interested in a subject for which a technical committee has been established has the right to be represented on that committee. International organizations, governmental and non-governmental, in liaison with ISO, also take part in the work. ISO collaborates closely with the International Electrotechnical Commission (IEC) on all matters of electrotechnical standardization.

International Standards are drafted in accordance with the rules given in the ISO/IEC Directives, Part 2.

The main task of technical committees is to prepare International Standards. Draft International Standards adopted by the technical committees are circulated to the member bodies for voting. Publication as an International Standard requires approval by at least 75 % of the member bodies casting a vote.

Attention is drawn to the possibility that some of the elements of this document may be the subject of patent rights. ISO shall not be held responsible for identifying any or all such patent rights.

ISO 11040-5 was prepared by Technical Committee ISO/TC 76, *Transfusion, infusion and injection, and blood processing equipment for medical and pharmaceutical use*.

This third edition cancels and replaces the second edition (ISO 11040-5:2001), which has been technically revised by:

- adjusting the title of this part of ISO 11040;
- aligning this International Standard with the ISO 8871 series;
- revising the requirements on the height of the spacers and requirements on material and hardness;
- adding requirements on resistance to ageing.

ISO 11040 consists of the following parts, under the general title *Prefilled syringes*:

- *Part 1: Glass cylinders for dental local anaesthetic cartridges*
- *Part 2: Plunger stoppers for dental local anaesthetic cartridges*
- *Part 3: Seals for dental local anaesthetic cartridges*
- *Part 4: Glass barrels for injectables and ready-to-use prefillable syringes*
- *Part 5: Plunger stoppers for injectables*
- *Part 6: Plastics barrels for injectables*

The following parts are under preparation:

- *Part 7: Packaging systems for prefillable ready-to-use syringes*

Introduction

Primary packaging components made of elastomeric materials are an integral part of medicinal products. Therefore, the principles of current good manufacturing practices (cGMP) apply to the manufacturing of these components.

Principles of cGMP are described in e.g. ISO 15378 or in the GMP Guidelines published by the European Community and the United States of America.

Prefilled syringes —

Part 5: Plunger stoppers for injectables

1 Scope

This part of ISO 11040 specifies the shape, dimensions, material, performance requirements and labelling of plunger stoppers for glass barrels (single-chamber design) for injection preparations in accordance with ISO 11040-4.

Plunger stoppers specified in this part of ISO 11040 are intended for single use only.

This part of ISO 11040 is not applicable to barrier-coated plunger stoppers.

NOTE The potency, purity, stability and safety of a medicinal product during its manufacture and storage can be significantly affected by the nature and performance of the primary packaging.

2 Normative references

The following referenced documents are indispensable for the application of this document. For dated references, only the edition cited applies. For undated references, the latest edition of the referenced document (including any amendments) applies.

ISO 3302-1, *Rubber — Tolerances for products — Part 1: Dimensional tolerances*

ISO 7619-1, *Rubber, vulcanized or thermoplastic — Determination of indentation hardness — Part 1: Durometer method (Shore hardness)*

ISO 8871-1, *Elastomeric parts for parenterals and for devices for pharmaceutical use — Part 1: Extractables in aqueous autoclavates*

ISO 8871-4, *Elastomeric parts for parenterals and for devices for pharmaceutical use — Part 4: Biological requirements and test methods*

ISO 11040-4, *Prefilled syringes — Part 4: Glass barrels for injectables*

3 Classification

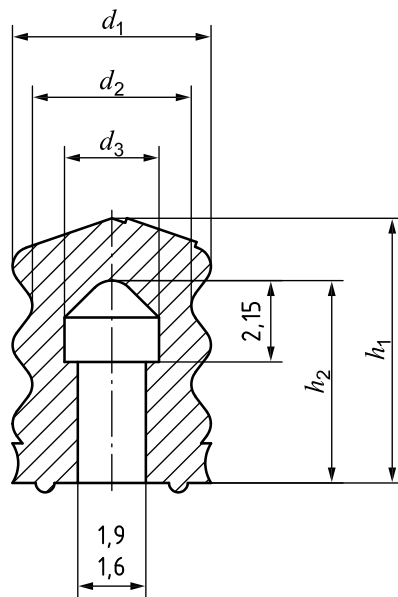
Plunger stoppers shall be classified as follows:

- type PSL: plunger stoppers with snap lid;
- type PST: plunger stoppers with thread.

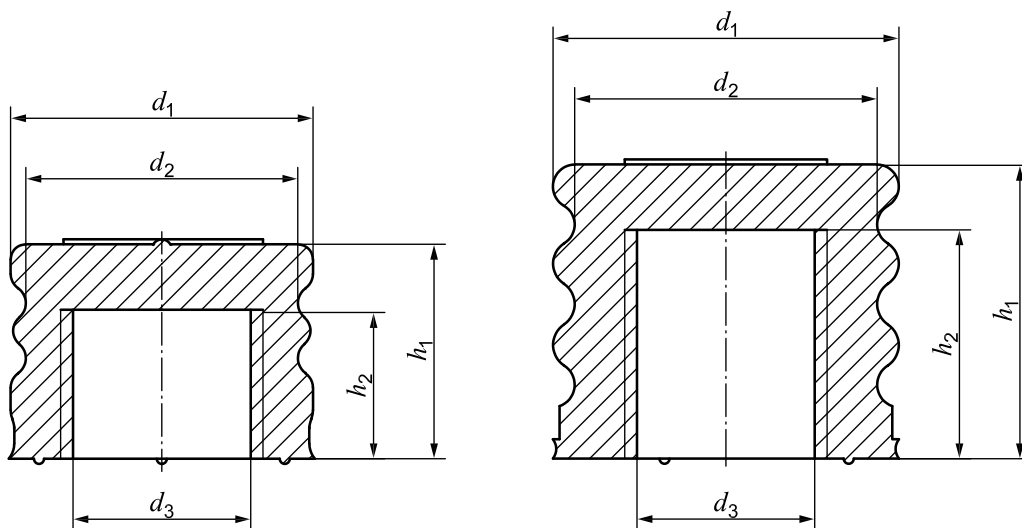
4 Shape and dimensions

4.1 The shape and dimensions of plunger stoppers shall be as shown in Figure 1 and given in Table 1.

Dimensions in millimetres



a) Plunger stopper with snap lid (PSL)



NOTE Thread: 16 pitch on 25,4 mm; for 1 ml (long), 17 pitch on 25,4 mm.

b) Plunger stopper with thread (PST)

Shape and dimensions of plunger stoppers for a prefilled syringe

Dimensions of plunger stoppers

Dimensions in millimetres

Nominal inner diameter d_2^b	Nominal volume ml	Type	d_1^a		d_2^a		d_3^a		h_1^a		h_2^a	
			nom.	tol.	nom.	tol.	nom.	tol.	nom.	tol.	nom.	tol.
$4,65 \pm 0,1$	0,5	PSL	5,2 to 5,3	$\pm 0,1$	4,1 to 4,2	$\pm 0,15$	2,5	$\pm 0,2$	6,85 to 7,0	$\pm 0,4$	5,3	$\pm 0,35$
$6,35 \pm 0,1$	1 (long)	PST	6,8 to 7		5,9 to 6		2,6		7,65 to 7,85		4,5	
$8,65 \pm 0,2$	1 to 3		9,05 to 9,25		7,6 to 8		4,7		7,7 to 7,85		4	
$11,85 \pm 0,2$	5		12,5 to 12,7	10,5 to 11,15	5,2 to 5,6	8,5	6,0					
$14,25 \pm 0,2$	10		15 to 15,3	13,5 to 13,75	7,4 to 7,6		$\pm 0,25$	6 to 6,2				
$19,05 \pm 0,2$	20		19,9 to 20,1	18,4 to 18,6	10,7		13,45 to 13,50	7				

^a The nominal diameter shall be agreed upon between the manufacturer and the user within the given range.

^b In accordance with ISO 11040-4.

4.2 If not otherwise specified, general dimensional tolerances shall be Class M3 in accordance with ISO 3302-1.

4.3 In order to prevent the plunger stoppers from adhering to each other, there shall be spacers. The height of the spacers shall not exceed 0,3 mm.

The shape of the spacers should be agreed upon between the manufacturer and the cartridge assembler.

4.4 Sprues, if present on the surface of the plunger stopper, shall not protrude beyond the surface of the plunger stopper.

4.5 The performance and dimensions of the plunger stopper thread shall be compatible with the plunger rod. The plunger stopper shall not detach itself from the rod under normal use, e.g. aspiration.

5 Designation

Plunger stoppers are designated according to their type. The designation shall comprise, in the following order, the descriptor "Plunger", a reference to this part of ISO 11040, the type of plunger [snap lip (PSL) or threaded (PST)], the volume of the barrel for which the plunger stopper is intended, and the letters "lg" if it is the long version.

EXAMPLE 1 Designation of a plunger stopper with snap lip for a glass barrel of 0,5 ml nominal volume, complying with the requirements in this part of ISO 11040:

Plunger ISO 11040-5 - PSL - 0,5

EXAMPLE 2 Designation of a threaded plunger stopper for a glass barrel of 1 ml nominal volume, long version, complying with the requirements in this part of ISO 11040:

Plunger ISO 11040-5 - PST - 1 - lg

6 Material

The elastomeric material used shall meet the requirements specified in Clause 7.

Plunger stoppers shall be made from the elastomeric formulation originally tested and approved by the end user. The manufacturer of the plunger stopper shall ensure the conformance of each delivery with the type sample and compliance with previously agreed functional and compendial requirements.

The elastomeric material shall withstand two sterilization cycles when autoclaving in saturated steam at (121 ± 2) °C for 30 min without impairment of its function under conditions of normal use. If other sterilization methods are used, e.g. irradiation, the suitability of the material shall be evaluated.

7 Requirements

7.1 General

The requirements specified in 7.2 to 7.4 constitute minimum requirements concerning the condition of the elastomeric plunger stopper on receipt by the user.

7.2 Physical requirements

7.2.1 Hardness

The hardness agreed between the manufacturer and the user shall not differ from the nominal value by more than ± 5 Shore A when tested in accordance with ISO 7619-1 on a special test specimen. Alternatively, the hardness can be tested on the plunger stoppers in accordance with ISO 48. If tested according to ISO 48, the microhardness shall not differ by more than ± 5 IRHD from the type sample.

The manufacturer should provide suitable test specimens upon request.

7.2.2 Resistance to ageing

The maximum time between the date of manufacture of the plunger stoppers and their pharmaceutical use should be agreed upon between the manufacturer and the user.

The plunger stoppers shall maintain their performance characteristics throughout the entire shelf-life of the medicinal product, which is tested as part of the stability test by the user.

NOTE Ageing depends on storage and handling conditions. A guide to storage of vulcanized rubber is given in ISO 2230.

7.3 Chemical requirements

The aqueous extractables of the plunger stopper material shall not exceed the limits specified for elastomeric parts defined in ISO 8871-1.

7.4 Biological requirements

The requirements in ISO 8871-4 shall apply.

8 Labelling

Packed plunger stoppers that meet the requirements of this part of ISO 11040 can be labelled with the designation given in Clause 5.

Bibliography

- [1] ISO 48, *Rubber, vulcanized or thermoplastic — Determination of hardness (hardness between 10 IRHD and 100 IRHD)*
- [2] ISO 2230, *Rubber products — Guidelines for storage*
- [3] ISO 3302-2, *Rubber — Tolerances for products — Part 2: Geometrical tolerances*
- [4] ISO 8362-5, *Injection containers for injectables and accessories — Part 5: Freeze drying closures for injection vials*
- [5] ISO 9997, *Dental cartridge syringes*
- [6] ISO 15378, *Primary packaging materials for medicinal products — Particular requirements for the application of ISO 9001:2008, with reference to Good Manufacturing Practice (GMP)*

British Standards Institution (BSI)

BSI is the national body responsible for preparing British Standards and other standards-related publications, information and services.

BSI is incorporated by Royal Charter. British Standards and other standardization products are published by BSI Standards Limited.

About us

We bring together business, industry, government, consumers, innovators and others to shape their combined experience and expertise into standards-based solutions.

The knowledge embodied in our standards has been carefully assembled in a dependable format and refined through our open consultation process. Organizations of all sizes and across all sectors choose standards to help them achieve their goals.

Information on standards

We can provide you with the knowledge that your organization needs to succeed. Find out more about British Standards by visiting our website at bsigroup.com/standards or contacting our Customer Services team or Knowledge Centre.

Buying standards

You can buy and download PDF versions of BSI publications, including British and adopted European and international standards, through our website at bsigroup.com/shop, where hard copies can also be purchased.

If you need international and foreign standards from other Standards Development Organizations, hard copies can be ordered from our Customer Services team.

Subscriptions

Our range of subscription services are designed to make using standards easier for you. For further information on our subscription products go to bsigroup.com/subscriptions.

With **British Standards Online (BSOL)** you'll have instant access to over 55,000 British and adopted European and international standards from your desktop. It's available 24/7 and is refreshed daily so you'll always be up to date.

You can keep in touch with standards developments and receive substantial discounts on the purchase price of standards, both in single copy and subscription format, by becoming a **BSI Subscribing Member**.

PLUS is an updating service exclusive to BSI Subscribing Members. You will automatically receive the latest hard copy of your standards when they're revised or replaced.

To find out more about becoming a BSI Subscribing Member and the benefits of membership, please visit bsigroup.com/shop.

With a **Multi-User Network Licence (MUNL)** you are able to host standards publications on your intranet. Licences can cover as few or as many users as you wish. With updates supplied as soon as they're available, you can be sure your documentation is current. For further information, email bsmusales@bsigroup.com.

Revisions

Our British Standards and other publications are updated by amendment or revision.

We continually improve the quality of our products and services to benefit your business. If you find an inaccuracy or ambiguity within a British Standard or other BSI publication please inform the Knowledge Centre.

Copyright

All the data, software and documentation set out in all British Standards and other BSI publications are the property of and copyrighted by BSI, or some person or entity that owns copyright in the information used (such as the international standardization bodies) and has formally licensed such information to BSI for commercial publication and use. Except as permitted under the Copyright, Designs and Patents Act 1988 no extract may be reproduced, stored in a retrieval system or transmitted in any form or by any means – electronic, photocopying, recording or otherwise – without prior written permission from BSI. Details and advice can be obtained from the Copyright & Licensing Department.

Useful Contacts:

Customer Services

Tel: +44 845 086 9001

Email (orders): orders@bsigroup.com

Email (enquiries): cservices@bsigroup.com

Subscriptions

Tel: +44 845 086 9001

Email: subscriptions@bsigroup.com

Knowledge Centre

Tel: +44 20 8996 7004

Email: knowledgecentre@bsigroup.com

Copyright & Licensing

Tel: +44 20 8996 7070

Email: copyright@bsigroup.com

BSI Group Headquarters

389 Chiswick High Road London W4 4AL UK



...making excellence a habit.™