

BS ISO 10110-9:2016



BSI Standards Publication

Optics and photonics — Preparation of drawings for optical elements and systems

Part 9: Surface treatment and coating

National foreword

This British Standard is the UK implementation of ISO 10110-9:2016. It supersedes BS ISO 10110-9:1996 which is withdrawn.

The UK participation in its preparation was entrusted to Technical Committee CPW/172, Optics and Photonics.

A list of organizations represented on this committee can be obtained on request to its secretary.

This publication does not purport to include all the necessary provisions of a contract. Users are responsible for its correct application.

© The British Standards Institution 2016.
Published by BSI Standards Limited 2016

ISBN 978 0 580 83275 8

ICS 37.020

Compliance with a British Standard cannot confer immunity from legal obligations.

This British Standard was published under the authority of the Standards Policy and Strategy Committee on 31 July 2016.

Amendments/corrigenda issued since publication

Date	Text affected
------	---------------

**Optics and photonics — Preparation
of drawings for optical elements and
systems —**

Part 9:
Surface treatment and coating

*Optique et photonique — Indications sur les dessins pour éléments et
systèmes optiques —*

Partie 9: Traitement de surface et revêtement



COPYRIGHT PROTECTED DOCUMENT

© ISO 2016, Published in Switzerland

All rights reserved. Unless otherwise specified, no part of this publication may be reproduced or utilized otherwise in any form or by any means, electronic or mechanical, including photocopying, or posting on the internet or an intranet, without prior written permission. Permission can be requested from either ISO at the address below or ISO's member body in the country of the requester.

ISO copyright office
Ch. de Blandonnet 8 • CP 401
CH-1214 Vernier, Geneva, Switzerland
Tel. +41 22 749 01 11
Fax +41 22 749 09 47
copyright@iso.org
www.iso.org

Contents

	Page
Foreword	iv
1 Scope	1
2 Normative references	1
3 Terms and definitions	1
4 General	1
5 Indications in drawings	2
5.1 General	2
5.2 Indication of functional coatings	2
5.3 Indication of protective treatments	3
6 Imperfections of functional coatings	3
7 Examples	3
Annex A (informative) Functional coatings (from ISO 9211-1:2010)	5
Annex B (informative) Example for an optical drawing using the indication of functional coatings in tabular form	6
Annex C (informative) Example for a coating specification document	7
Annex D (informative) Example of a functional coating indication showing two different coatings on the same surface	8
Bibliography	9

Foreword

ISO (the International Organization for Standardization) is a worldwide federation of national standards bodies (ISO member bodies). The work of preparing International Standards is normally carried out through ISO technical committees. Each member body interested in a subject for which a technical committee has been established has the right to be represented on that committee. International organizations, governmental and non-governmental, in liaison with ISO, also take part in the work. ISO collaborates closely with the International Electrotechnical Commission (IEC) on all matters of electrotechnical standardization.

The procedures used to develop this document and those intended for its further maintenance are described in the ISO/IEC Directives, Part 1. In particular the different approval criteria needed for the different types of ISO documents should be noted. This document was drafted in accordance with the editorial rules of the ISO/IEC Directives, Part 2 (see www.iso.org/directives).

Attention is drawn to the possibility that some of the elements of this document may be the subject of patent rights. ISO shall not be held responsible for identifying any or all such patent rights. Details of any patent rights identified during the development of the document will be in the Introduction and/or on the ISO list of patent declarations received (see www.iso.org/patents).

Any trade name used in this document is information given for the convenience of users and does not constitute an endorsement.

For an explanation on the meaning of ISO specific terms and expressions related to conformity assessment, as well as information about ISO's adherence to the WTO principles in the Technical Barriers to Trade (TBT) see the following URL: [Foreword - Supplementary information](#)

The committee responsible for this document is ISO/TC 172, *Optics and photonics*, Subcommittee SC 1, *Fundamental standards*.

This second edition cancels and replaces the first edition (ISO 10110-9:1996), which has been technically revised with the following changes:

- a) the referencing of optical coating standards ISO 9211-1 and ISO 9211-2;
- b) the description of functional coatings in tabular form as described in ISO 10110-1;
- c) a complete revision of all drawings;
- d) the addition of [Annexes A to D](#) which show examples for optical drawings and coating specification documents.

ISO 10110 consists of the following parts, under the general title *Optics and photonics — Preparation of drawings for optical elements and systems*:

- *Part 1: General*
- *Part 2: Material imperfections — Stress birefringence*
- *Part 3: Material imperfections — Bubbles and inclusions*
- *Part 4: Material imperfections — Inhomogeneity and striae*
- *Part 5: Surface form tolerances*
- *Part 6: Centring tolerances*
- *Part 7: Surface imperfection tolerances*
- *Part 8: Surface texture; roughness and waviness*
- *Part 9: Surface treatment and coating*

- *Part 10: Table representing data of optical elements and cemented assemblies*
- *Part 11: Non-toleranced data*
- *Part 12: Aspheric surfaces*
- *Part 14: Wavefront deformation tolerance*
- *Part 17: Laser irradiation damage threshold*
- *Part 19: General description of surfaces and components*

Optics and photonics — Preparation of drawings for optical elements and systems —

Part 9: Surface treatment and coating

1 Scope

ISO 10110 specifies the presentation of design and functional requirements for optical elements and systems in technical drawings used for manufacturing and inspection.

This part of ISO 10110 specifies rules for indicating the treatments and coatings applied to optical surfaces for functional and/or protective purposes.

2 Normative references

The following documents, in whole or in part, are normatively referenced in this document and are indispensable for its application. For dated references, only the edition cited applies. For undated references, the latest edition of the referenced document (including any amendments) applies.

ISO 128-24, *Technical drawings — General principles of presentation — Part 24: Lines on mechanical engineering drawings*

ISO 9211-1:2010, *Optics and photonics — Optical coatings — Part 1: Definitions*

ISO 9211-2, *Optics and photonics — Optical coatings — Part 2: Optical properties*

3 Terms and definitions

For the purposes of this document, the terms and definitions given in ISO 9211-1 and the following apply.

3.1

functional coating

thin film deposited to affect surface reflectance, to separate spectral wavelength regions, and/or to produce certain polarization or other special properties

Note 1 to entry: There is a wide variety of functional coatings, e.g. reflective, antireflective, wavelength selective, conductive or protective coatings. The different types of functional coatings are listed in ISO 9211-1:2010, Table A.1 (see [Annex A](#)).

3.2

protective surface treatment

paint or plating protection applied to optical surfaces, particularly rear surface mirrors, to prevent damage from handling, environmental effects and other causes

Note 1 to entry: Surfaces may also be painted or covered in certain areas to limit their optically effective apertures for stray light control.

4 General

ISO 10110-1 stipulates that all indications apply fundamentally to the finished product. Accordingly, the dimensions given in drawings which mention surface treatments or coatings refer to the dimensions after application of the treatments or coatings (see [Figure 1](#)). However, in certain cases, the dimensions

of a part before the application of surface treatments might be important. In such cases, it shall be explicitly indicated in the drawing that these dimensions refer to the untreated part.

5 Indications in drawings

5.1 General

The form of the specification for coatings is defined in ISO 9211-2.

When coating performance requirements are complex, they are described in separate specification documents, which shall be referenced in the drawings. If the specification is simple, it may be given directly on the drawing. In this case, the following symbols shall be used according to ISO 9211-1:

- $\tau(\lambda)$ for spectral transmittance;
- $\rho(\lambda)$ for spectral reflectance;
- $\alpha(\lambda)$ for spectral absorptance.

NOTE Wherever the Greek letters are mistakable, $T(\lambda)$, $R(\lambda)$ and $A(\lambda)$ can be used.

Wavelengths shall be given in nanometers.

5.2 Indication of functional coatings

For a suitable optical element, especially a lens element or a prism, the data may be given in tabular form as described in ISO 10110-1. The preferred field for the indication of functional coatings is the table field. An example is shown in [Annex B](#).

If the specification of a coating is too long to be included in the appropriate table field, it shall be given in the drawing field in a box as described below or in a separate coating specification document. An example is shown in [Annex C](#).

Functional coatings shall be indicated by λ . If functional coatings are specified in the table field, this symbol shall be located at the beginning of the specification. When functional coatings are specified in the drawing field, this symbol shall be located outside the element and tangent to the surface to be coated. Exceptions are elements in which the coating is protected by a protective layer and cemented (or optically contacted) subassemblies; in these cases, the coating symbol shall be placed inside the optical element (see [Figure 2](#) and [Figure 3](#)).

In drawings of a subassembly, the position of the coating symbol, λ , indicates to which of the two joined surfaces the coating is to be deposited: the coating symbol is placed inside the optical element that is to be coated prior to assembly (see [Figure 3](#)).

The coating symbol shall have a leader line to a box, containing the specification reference or specification.

Examples are given in [Figures 2](#) to [5](#).

The function of the coating shall be included in the box. Unless otherwise noted, the specifications shall refer to the indicated surface alone. In the case of functional coatings that are to be cemented, it shall be indicated whether the specification applies before or after cementing (see [Figure 3](#)).

Unless indicated otherwise, the coating shall extend at least over the optically effective surface. If necessary, toleranced dimensions shall be given for the area to be coated. In cases in which different zones of the same surface are to be coated differently, the zones shall be indicated by dimensioning (see [Annex D](#)).

5.3 Indication of protective treatments

Surface treatment such as protective treatments shall be indicated by a thick “chain” line (line type 04.2, ISO 128-24) adjacent to the surface. The length of this line indicates the region to be treated. If necessary, dimensions shall be given for this region.

The specification of the surface treatment shall be given in a box, which is connected to the thick “chain” line by a leader. Examples are given in [Figures 1](#) and [2](#).

6 Imperfections of functional coatings

ISO 10110-7 specifies the indication of an acceptability level for coating imperfections, which are described in ISO 9211-1.

7 Examples

Examples of functional coating and protective surface treatment indications are given in [Figures 1](#) to [5](#).

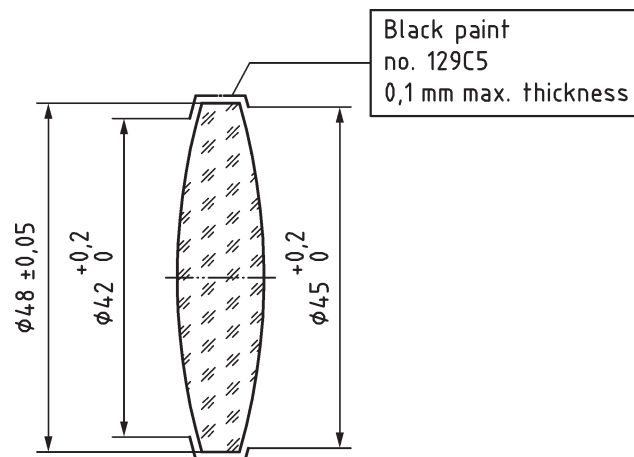


Figure 1 — Example of protective surface treatment indication (the outer diameter of 48 mm ± 0,05 mm refers to the part after painting)

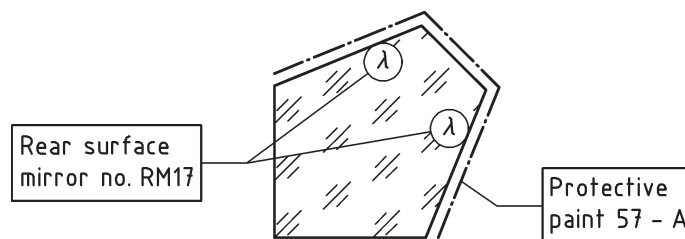


Figure 2 — Example of indication of a protective surface treatment combined with a functional coating

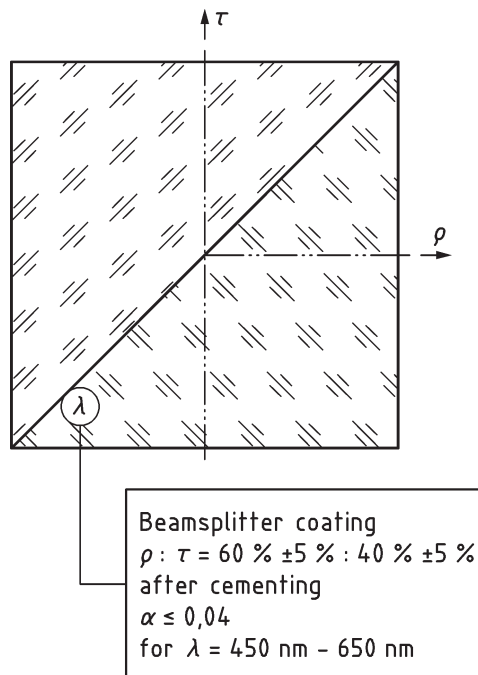


Figure 3 — Example of functional coating indication with optical characteristic specification

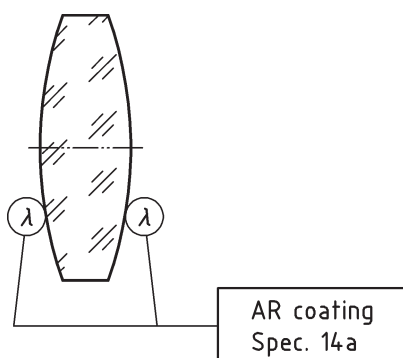


Figure 4 — Example of functional coating indication referencing separate specification

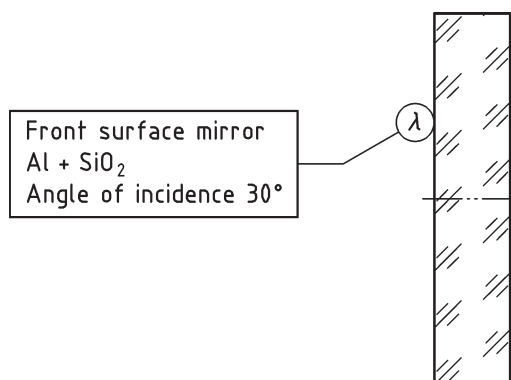


Figure 5 — Example of functional coating indication with specification of material

Annex A (informative)

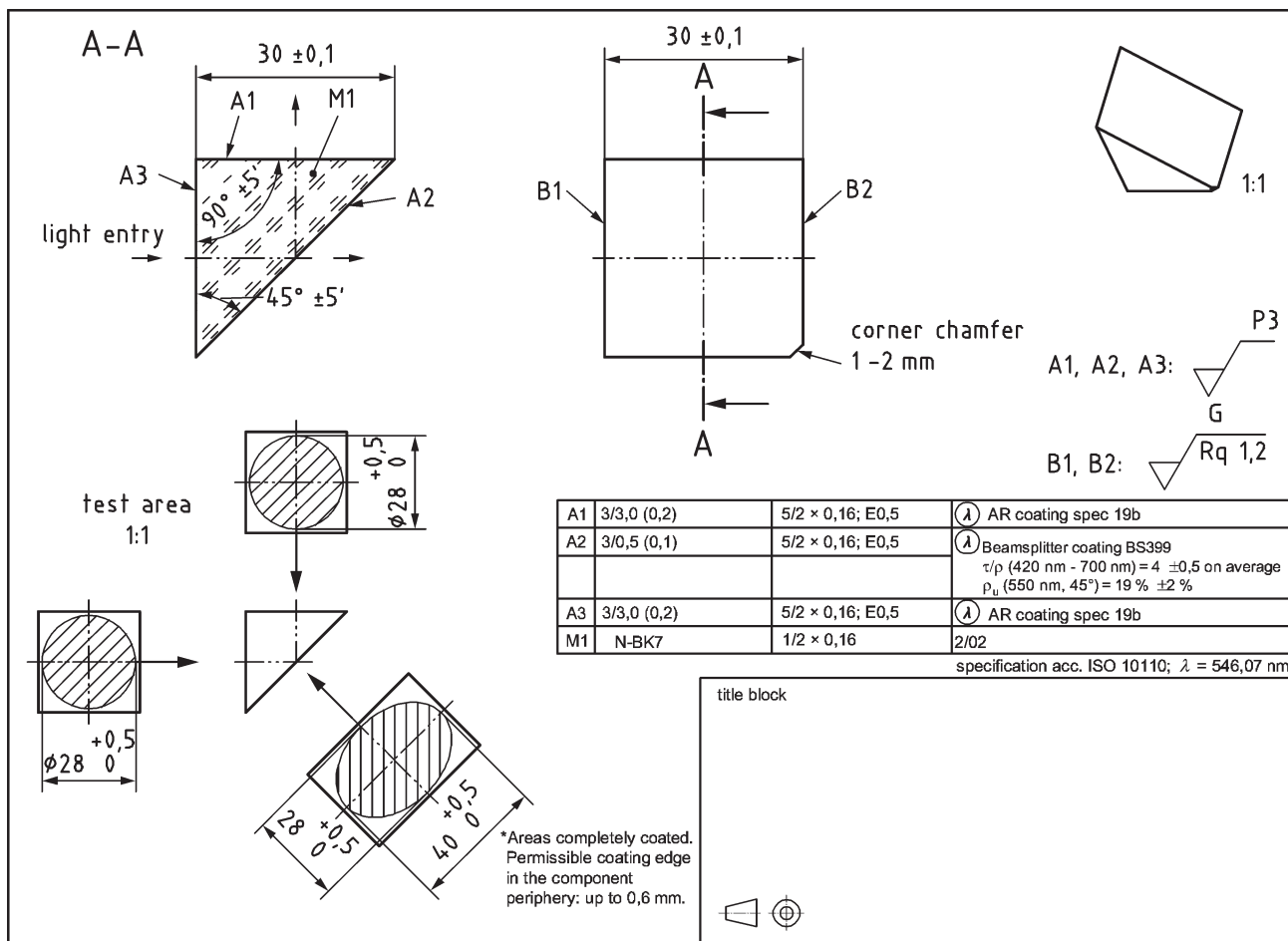
Functional coatings (from ISO 9211-1:2010)

Table A.1 — Functional coatings (from ISO 9211-1:2010)

Principal function	Code designation	Definition	Example of application
Reflecting	RE	Coating increasing the reflectance of an optical surface over a specified wavelength range.	Laser mirror
Antireflecting	AR	Coating reducing the reflectance of an optical surface over a specified wavelength range and usually increasing the transmittance.	AR coated lens
Beam splitting	BS	Coating separating the incident flux into two beams, one transmitted and the other reflected, the energy distribution of each beam reproducing the incident energy distribution in essentially a non-selective manner, over a specified wavelength range.	Neutral beam-splitter Partial reflector
Attenuating	AT	Coating reducing the transmittance in essentially a non-selective manner over a specified wavelength range.	Neutral density filter
Filtering a) Bandpass b) Band rejection	FI FI-BP FI-BR	Coating modifying the transmittance in a selective manner over a specified wavelength range.	Laser line selection filter Raman notch filter
Selecting or combining a) Long pass b) Short pass	SC SC-LP SC-SP	Coating dividing the incident radiation flux into two or more beams each one covering a limited spectral region and being propagated either by reflection or by transmission. The reverse path combines beams of different spectral regions.	Dichroic mirror Beam combiner Cold light mirror NIR cut filter
Polarizing	PO	Coating controlling the state of polarization of the emergent electromagnetic radiation, over a specified wavelength range.	Polarizer Non-polarizing beamsplitter
Phase changing	PC	Coating controlling the phase change of the emergent electromagnetic radiation relative to the incident radiation, and/or the phase difference between s and p vectors, over a specified wavelength range.	Phase retarder
Absorbing	AB	Coating absorbing a specified value of the incident flux over a specified wavelength range.	Light trap UV absorber
Supplementary	SU	Coating providing a non-optical property; this function is often combined with an optical function.	Electrical conductivity Chemical or mechanical protection

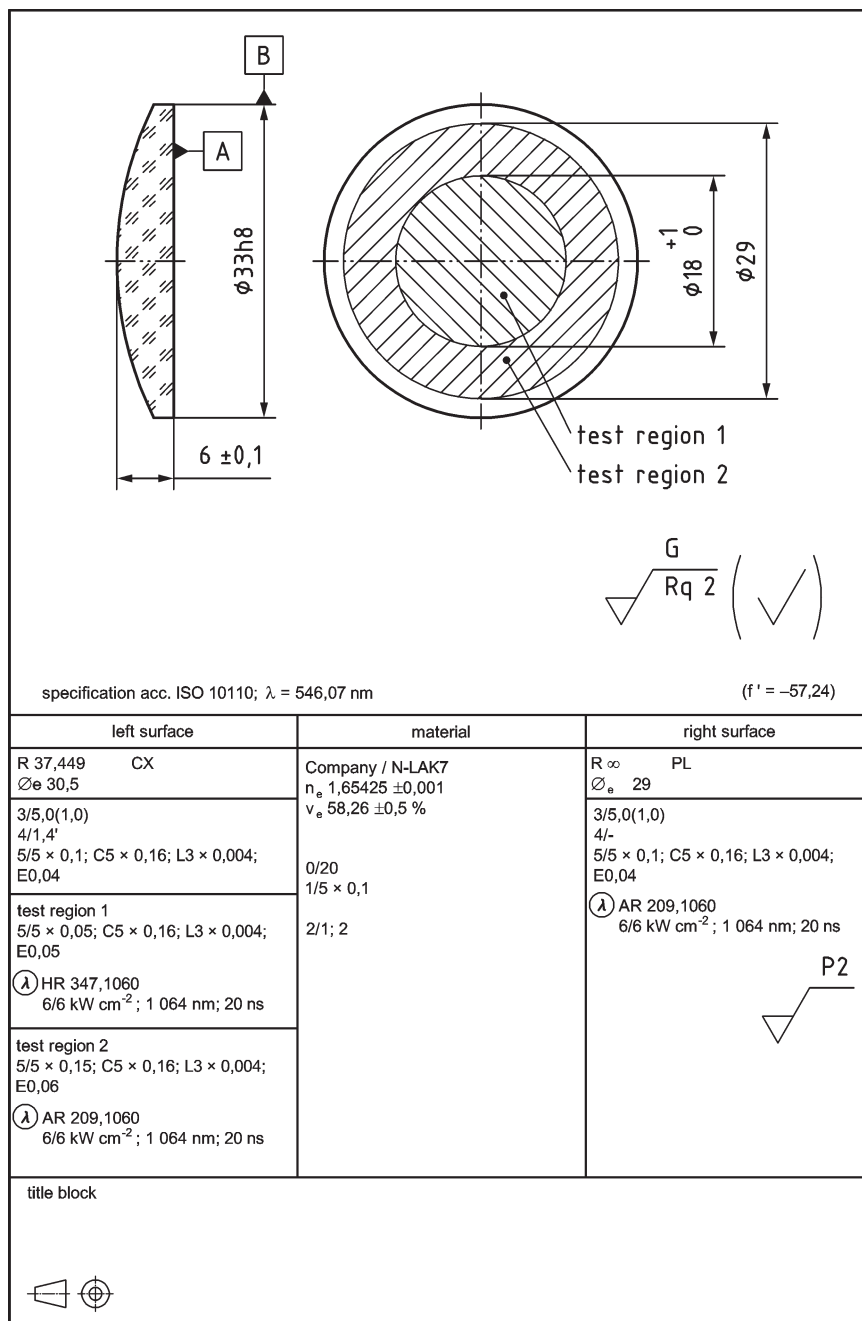
Annex B (informative)

Example for an optical drawing using the indication of functional coatings in tabular form



Annex D (informative)

Example of a functional coating indication showing two different coatings on the same surface



Bibliography

- [1] ISO 7944, *Optics and optical instruments — Reference wavelengths*
- [2] ISO 9211-3, *Optics and photonics — Optical coatings — Part 3: Environmental durability*
- [3] ISO 9211-4, *Optics and photonics — Optical coatings — Part 4: Specific test methods*
- [4] ISO 10110-1, *Optics and photonics — Preparation of drawings for optical elements and systems — Part 1: General*
- [5] ISO 10110-7, *Optics and photonics — Preparation of drawings for optical elements and systems — Part 7: Surface imperfection tolerances*

British Standards Institution (BSI)

BSI is the national body responsible for preparing British Standards and other standards-related publications, information and services.

BSI is incorporated by Royal Charter. British Standards and other standardization products are published by BSI Standards Limited.

About us

We bring together business, industry, government, consumers, innovators and others to shape their combined experience and expertise into standards-based solutions.

The knowledge embodied in our standards has been carefully assembled in a dependable format and refined through our open consultation process. Organizations of all sizes and across all sectors choose standards to help them achieve their goals.

Information on standards

We can provide you with the knowledge that your organization needs to succeed. Find out more about British Standards by visiting our website at bsigroup.com/standards or contacting our Customer Services team or Knowledge Centre.

Buying standards

You can buy and download PDF versions of BSI publications, including British and adopted European and international standards, through our website at bsigroup.com/shop, where hard copies can also be purchased.

If you need international and foreign standards from other Standards Development Organizations, hard copies can be ordered from our Customer Services team.

Copyright in BSI publications

All the content in BSI publications, including British Standards, is the property of and copyrighted by BSI or some person or entity that owns copyright in the information used (such as the international standardization bodies) and has formally licensed such information to BSI for commercial publication and use.

Save for the provisions below, you may not transfer, share or disseminate any portion of the standard to any other person. You may not adapt, distribute, commercially exploit, or publicly display the standard or any portion thereof in any manner whatsoever without BSI's prior written consent.

Storing and using standards

Standards purchased in soft copy format:

- A British Standard purchased in soft copy format is licensed to a sole named user for personal or internal company use only.
- The standard may be stored on more than 1 device provided that it is accessible by the sole named user only and that only 1 copy is accessed at any one time.
- A single paper copy may be printed for personal or internal company use only.

Standards purchased in hard copy format:

- A British Standard purchased in hard copy format is for personal or internal company use only.
- It may not be further reproduced – in any format – to create an additional copy. This includes scanning of the document.

If you need more than 1 copy of the document, or if you wish to share the document on an internal network, you can save money by choosing a subscription product (see 'Subscriptions').

Reproducing extracts

For permission to reproduce content from BSI publications contact the BSI Copyright & Licensing team.

Subscriptions

Our range of subscription services are designed to make using standards easier for you. For further information on our subscription products go to bsigroup.com/subscriptions.

With **British Standards Online (BSOL)** you'll have instant access to over 55,000 British and adopted European and international standards from your desktop. It's available 24/7 and is refreshed daily so you'll always be up to date.

You can keep in touch with standards developments and receive substantial discounts on the purchase price of standards, both in single copy and subscription format, by becoming a **BSI Subscribing Member**.

PLUS is an updating service exclusive to BSI Subscribing Members. You will automatically receive the latest hard copy of your standards when they're revised or replaced.

To find out more about becoming a BSI Subscribing Member and the benefits of membership, please visit bsigroup.com/shop.

With a **Multi-User Network Licence (MUNL)** you are able to host standards publications on your intranet. Licences can cover as few or as many users as you wish. With updates supplied as soon as they're available, you can be sure your documentation is current. For further information, email subscriptions@bsigroup.com.

Revisions

Our British Standards and other publications are updated by amendment or revision.

We continually improve the quality of our products and services to benefit your business. If you find an inaccuracy or ambiguity within a British Standard or other BSI publication please inform the Knowledge Centre.

Useful Contacts

Customer Services

Tel: +44 345 086 9001

Email (orders): orders@bsigroup.com

Email (enquiries): cservices@bsigroup.com

Subscriptions

Tel: +44 345 086 9001

Email: subscriptions@bsigroup.com

Knowledge Centre

Tel: +44 20 8996 7004

Email: knowledgecentre@bsigroup.com

Copyright & Licensing

Tel: +44 20 8996 7070

Email: copyright@bsigroup.com

BSI Group Headquarters

389 Chiswick High Road London W4 4AL UK