

BS ISO 9352:2012



BSI Standards Publication

Plastics — Determination of resistance to wear by abrasive wheels

bsi.

...making excellence a habit.™

National foreword

This British Standard is the UK implementation of ISO 9352:2012. It supersedes BS 2782-3:Method 370:1996 which is withdrawn.

The UK participation in its preparation was entrusted to Technical Committee PRI/21, Testing of plastics.

A list of organizations represented on this committee can be obtained on request to its secretary.

This publication does not purport to include all the necessary provisions of a contract. Users are responsible for its correct application.

© The British Standards Institution 2012. Published by BSI Standards Limited 2012

ISBN 978 0 580 69495 0

ICS 83.080.01

Compliance with a British Standard cannot confer immunity from legal obligations.

This British Standard was published under the authority of the Standards Policy and Strategy Committee on 31 May 2012.

Amendments issued since publication

Date	Text affected
------	---------------

INTERNATIONAL STANDARD

BS ISO 9352:2012

ISO
9352

Third edition
2012-04-15

Plastics — Determination of resistance to wear by abrasive wheels

Plastiques — Détermination de la résistance à l'usure par galets abrasifs



Reference number
ISO 9352:2012(E)

© ISO 2012



COPYRIGHT PROTECTED DOCUMENT

© ISO 2012

All rights reserved. Unless otherwise specified, no part of this publication may be reproduced or utilized in any form or by any means, electronic or mechanical, including photocopying and microfilm, without permission in writing from either ISO at the address below or ISO's member body in the country of the requester.

ISO copyright office
Case postale 56 • CH-1211 Geneva 20
Tel. + 41 22 749 01 11
Fax + 41 22 749 09 47
E-mail copyright@iso.org
Web www.iso.org

Published in Switzerland

Contents		Page
Foreword		iv
1	Scope	1
2	Normative references	1
3	Terms and definitions	1
4	Principle	2
5	Apparatus	2
6	Test specimens	5
6.1	Shape and dimensions	5
6.2	Preparation of test specimens	5
6.3	Cleaning of test specimens	5
6.4	Number of test specimens	5
7	Conditioning of test specimens	5
8	Procedure	5
9	Expression of results	6
10	Precision	6
11	Test report	7
Annex A (normative) Determination of the abrasive power of the abrasive wheels		8
Bibliography		9

Foreword

ISO (the International Organization for Standardization) is a worldwide federation of national standards bodies (ISO member bodies). The work of preparing International Standards is normally carried out through ISO technical committees. Each member body interested in a subject for which a technical committee has been established has the right to be represented on that committee. International organizations, governmental and non-governmental, in liaison with ISO, also take part in the work. ISO collaborates closely with the International Electrotechnical Commission (IEC) on all matters of electrotechnical standardization.

International Standards are drafted in accordance with the rules given in the ISO/IEC Directives, Part 2.

The main task of technical committees is to prepare International Standards. Draft International Standards adopted by the technical committees are circulated to the member bodies for voting. Publication as an International Standard requires approval by at least 75 % of the member bodies casting a vote.

Attention is drawn to the possibility that some of the elements of this document may be the subject of patent rights. ISO shall not be held responsible for identifying any or all such patent rights.

ISO 9352 was prepared by Technical Committee ISO/TC 61, *Plastics*, Subcommittee SC 2, *Mechanical properties*.

This third edition cancels and replaces the second edition (ISO 9352:1995), which has been technically revised.

Plastics — Determination of resistance to wear by abrasive wheels

1 Scope

1.1 This International Standard specifies a general method for determining the resistance to abrasive wear of plastics under the action of abrasive wheels. It is equally applicable to moulded test specimens, components and finished products.

1.2 The particular test conditions and the method of expressing the results may differ according to the type of material. The test conditions and specific method are specified in the relevant standards for each material or product.

This method is not applicable to cellular materials or paints.

2 Normative references

The following referenced documents are indispensable for the application of this document. For dated references, only the edition cited applies. For undated references, the latest edition of the referenced document (including any amendments) applies.

ISO 48, *Rubber, vulcanized or thermoplastic — Determination of hardness (hardness between 10 IRHD and 100 IRHD)*

ISO 291, *Plastics — Standard atmospheres for conditioning and testing*

ISO 293, *Plastics — Compression moulding of test specimens of thermoplastic materials*

ISO 294-1, *Plastics — Injection moulding of test specimens of thermoplastic materials — Part 1: General principles, and moulding of multipurpose and bar test specimens*

ISO 295, *Plastics — Compression moulding of test specimens of thermosetting materials*

ISO 2818, *Plastics — Preparation of test specimens by machining*

ISO 6506-1, *Metallic materials — Brinell hardness test — Part 1: Test method*

ISO 6507-1, *Metallic materials — Vickers hardness test — Part 1: Test method*

3 Terms and definitions

For the purposes of this document, the following terms and definitions apply.

3.1

abrasive wheel

small grinding wheel or a roller faced with abrasive paper

3.2

abrasive wear

progressive loss of material from the operating surface of a plastics material resulting from the cutting or scratching action of the abrasive wheel

4 Principle

Two abrasive wheels are applied to the test specimen with a specified load. The wear obtained after rotation of the test specimen through a specified number of revolutions is assessed by an appropriate procedure (e.g. mass loss, volume loss, change in optical properties).

5 Apparatus

5.1 Abrasion test machine.

5.1.1 The test specimen is placed on a motor-driven rotating disc. A pair of abrasive wheels is allowed to turn freely on their axis and is applied to the test specimen at a specified position under a specified load. Figure 1 illustrates the relative positions of these different components. The apparatus shall comply with the requirements given in 5.1.2 to 5.1.7.

5.1.2 The test specimen support disc shall be flat and fixed to its driving shaft. When the disc is rotated, no point on a 45 mm radius circle traced on its horizontal surface shall oscillate vertically through more than 0,05 mm about its mean position. The disc shall have a nominal diameter of 100 mm and its speed of rotation shall be 72 rev/min at 60 Hz and 60 rev/min at 50 Hz.

5.1.3 The abrasive wheels shall be supported by two symmetrical arms that can oscillate freely about a horizontal axis. The method of attaching the wheels shall permit free rotation, e.g. by means of ball bearings. In the test position, the mounting bosses shall be coaxial and positioned in such a way that the vertical projection of their common axis on to the plane of the test specimen support disc is $19,1 \text{ mm} \pm 0,1 \text{ mm}$ from a parallel line passing through the axis of the disc (see Figure 1).

The distance between the inside faces of the abrasive wheels shall be $52,4 \text{ mm} \pm 0,2 \text{ mm}$.

Each arm shall be constructed in such a way as to permit the fitting of a counterweight to balance its mass against that of the abrasive wheel and additional loads of known mass (see 5.4).

5.1.4 The abrasive wheels shall have a cylindrical shape. They shall contain an axial hole allowing them to be fitted without play to the mounting bosses in the arms.

They shall consist of one of the following two alternatives:

- a) An abrasive material (abrasive wheels). The thickness of the wheels shall be $12,7 \text{ mm} \pm 0,1 \text{ mm}$ and their external diameter $51,6 \text{ mm} \pm 0,1 \text{ mm}$ when new, but in no case less than 44,4 mm.
- b) A metal disc with its periphery clad with a 6 mm layer of vulcanized rubber of hardness 50 IRHD to 55 IRHD (international hardness in accordance with ISO 48) bonded without gaps or overlap with a strip of abrasive paper (for example, secured with the aid of double-sided adhesive tape). The abrasive wheel shall have a thickness of $12,7 \text{ mm} \pm 0,2 \text{ mm}$ and a diameter of $51,6 \text{ mm} \pm 0,2 \text{ mm}$. The width of the abrasive paper shall be as specified in the relevant material (or product) standard.

The quality of the abrasive wheel or abrasive paper to be used shall be as stated in each relevant material (or product) specification. Refer to Table 1 for guidance in selecting suitable abrasive wheels. The abrasive-power properties of the wheels may be characterized, if requested, by the procedure give in Annex A.

5.1.5 The vacuum device for removal of the wear debris shall include two exhaust nozzles above the test specimen wear zone. One nozzle shall be located between the abrasive wheels and the other shall be located diametrically opposite (see Figure 1). The bore of each nozzle shall have an internal diameter of $8 \text{ mm} \pm 0,5 \text{ mm}$ and its distance from the test specimen shall be maintained at $1,5 \text{ mm} \pm 0,5 \text{ mm}$. When the nozzles are blocked closed, the pressure shall be 1,5 kPa to 1,6 kPa.

Table 1 — Abrasive wheel selection chart

Series designation ^a	Abrasive action	Wheel type	Composition	Recommended load range N	Approximate grit size (No. of abrasive particles/cm ²)
CS10F	Very mild	Resilient	Rubber and abrasive grain	2,5 to 4,9	1 420
CS10	Mild	Resilient	Rubber and abrasive grain	4,9 to 9,8	1 420
CS17	Coarse	Resilient	Rubber and abrasive grain	4,9 to 9,8	645
H38	Very fine	Non-resilient	Vitrified	2,5; 4,9; 9,8	5 785
H10	Fine to medium	Non-resilient	Vitrified	4,9 to 9,8	1 160
H18	Medium to coarse	Non-resilient	Vitrified	4,9 to 9,8	1 160
H22	Very coarse	Non-resilient	Vitrified	4,9 to 9,8	515

Under normal conditions, the “CS” series wheels shall be used when testing flexible specimens; the “H” series wheels shall be used for testing rigid specimens.

CS10F wheels are subject to deterioration due to ageing of the rubber, especially in high-ozone atmospheres. It is therefore important to use these wheels before the expiration date on the wheel.

When refacing (see 8.10), the recommended number of rotations for CS10, CS10F and CS17 wheels is 25 to 50.

Results from two different wheels, even of the same type, might not always be comparable.

^a The series designations correspond to those of abrading wheels produced by Taber[®] Industries, North Tonawanda, New York, USA. This information is given for the convenience of users of this document and does not constitute an endorsement by ISO of Taber Industries' products.

5.1.6 The apparatus shall be equipped with a device enabling the test to be stopped after a predetermined number of revolutions of the rotating disc.

5.1.7 For testing thin specimens, or flexible plastics, the apparatus shall be equipped with a clamp ring to enable such specimens to be fitted on to the support disc.

5.2 Conditioning enclosure, permitting the maintenance of an atmosphere of 23 °C ± 2 °C and (50 ± 5) % relative humidity, in accordance with ISO 291.

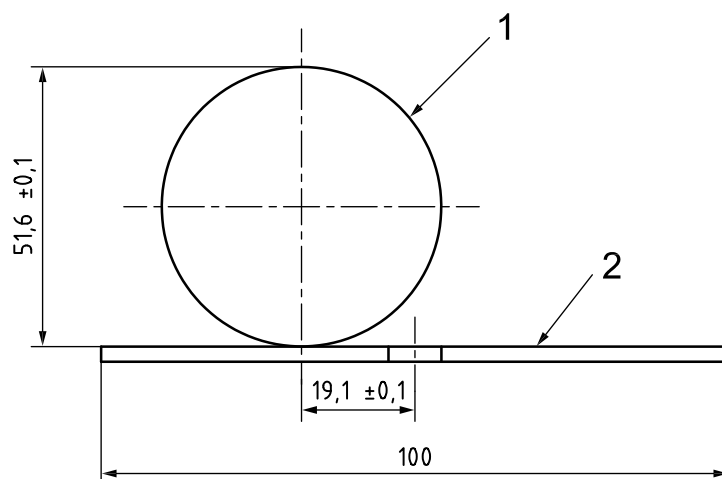
5.3 Standard zinc plates, for calibrating the abrasive power of the wheels (see Annex A).

5.4 Additional masses, for loading each abrasive wheel to the requirements of the relevant material (or product) specification.

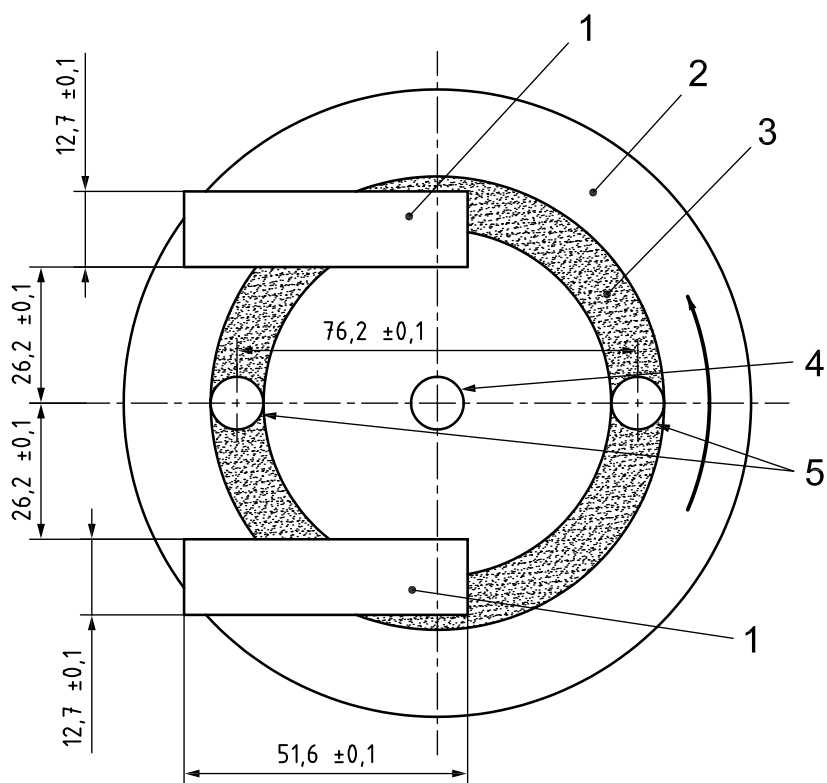
5.5 Apparatus for refacing the abrasive wheels, permitting the elimination of all refuse and at the same time assuring perpendicular contact between the specimen and the wheel.

5.6 Equipment for assessing the wear, in accordance with the relevant material (or product) specification.

Dimensions in millimetres



a) Side view



b) Top view

Key

- | | | | |
|---|----------------|---|--|
| 1 | abrasive wheel | 4 | hole, diameter 6,35 mm |
| 2 | test specimen | 5 | vacuum nozzles, diameter 8 mm ± 0,5 mm |
| 3 | wear zone | | |

Figure 1 — Diagrammatic arrangement of apparatus

6 Test specimens

6.1 Shape and dimensions

The test specimens shall be

- either discs of nominal diameter 100 mm;
- or octagons obtained by cutting off the corners of squares of nominal side length 100 mm, when the use of the clamp ring (see 5.1.7) is not necessary.

Their thickness shall be uniform and between 0,5 mm and 10 mm.

6.2 Preparation of test specimens

Test specimens may be obtained by moulding in accordance with ISO 293, ISO 294-1 or ISO 295, or by machining in accordance with ISO 2818. Each specimen shall contain a central hole of appropriate diameter to accommodate the stud of the rotating disc.

6.3 Cleaning of test specimens

The test specimen surface shall be cleaned with the aid of a suitable neutral volatile solvent or mild soap solution, selected in accordance with the requirements of the relevant material (or product) specification or by agreement between the interested parties.

WARNING — Use of a cleaner (however volatile) might affect the abrasion characteristics.

6.4 Number of test specimens

The number of test specimens shall be as stated in the relevant material (or product) specification. In the absence of any such indication, the minimum number shall be three.

7 Conditioning of test specimens

The test specimens shall be conditioned in the enclosure (5.2) in accordance with the requirements of the relevant material (or product) specification or, in the absence of such requirements, for a duration of at least 48 h before test.

NOTE Certain specifications also specify the conditioning of the abrasive wheel or abrasive paper.

8 Procedure

8.1 The test shall be performed in the enclosure (5.2) in an environmentally controlled room having the same characteristics.

8.2 For each test specimen, perform the preliminary measurements specified by the relevant material (or product) specification (see the warning in 8.3).

8.3 Fit the test specimen to the specimen carrier disc.

WARNING — During the course of the operations described in 8.2 and 8.3, take care not to contaminate the surface to be tested, e.g. with oil from finger contact.

8.4 Fit the apparatus with the abrasive wheels (see 5.1.4) specified by the relevant material (or product) specification, carefully avoiding touching the cylindrical abrasive zone. Lower the arms and gently place the abrasive wheels on the test specimen.

The abrasive power of the wheels (abrasive wheels or abrasive paper) may be verified in accordance with the procedure given in Annex A. In the case of abrasive wheels, this operation shall be followed by refacing using the refacing apparatus (5.5).

8.5 Adjust the loading of each abrasive wheel to the value specified in the relevant material (or product) specification, using the counterweights and additional masses (5.4).

8.6 Adjust the position of the vacuum device (see 5.1.5).

8.7 Set the number of revolutions to the value specified by the relevant material (or product) specification, or as agreed between the interested parties, using the device provided (see 5.1.6) (see also the note below).

8.8 Start the motor driving the rotation of the test specimen and the vacuum system (see 5.1.5).

8.9 When the stipulated number of revolutions has been completed and the motor stopped, remove the test specimen and perform the final measurements specified in the relevant material (or product) specification.

NOTE Certain specifications do not specify a fixed number of revolutions but they require periodic examination of the worn surface, the test being terminated when a defined threshold of degradation is reached.

8.10 In cases where grinding wheels are used, they shall be refaced before each test with the aid of the refacing apparatus (5.5) in such a way that the abrasive surface is exactly cylindrical and that the edges between the abrasive surface and the side faces are sharp, without any blending radius.

In cases where discs with abrasive paper are used, the abrasive paper shall be replaced after 500 revolutions or when clogging or loss of abrasive occurs. Clogging of the abrasive paper is dependent upon the test specimen material. With a soft, wax-like material, inspect the abrasive paper every 25 revolutions. In all other cases, inspect the abrasive paper every 50 revolutions or 100 revolutions.

Abrasive wheels are less susceptible to clogging and shall be inspected every 50 revolutions to 100 revolutions (cleaned with a wire brush when needed).

9 Expression of results

The results shall be expressed in one of the following ways:

- a) as the change in a particular property after a defined number of revolutions, for example change in thickness, mass, luminous diffusion — in this case, calculate the mean value for the test specimens tested;
- b) as the number of revolutions required to obtain a defined deterioration in appearance — in this case, round the value obtained to the nearest multiple of 25 revolutions;
- c) as the loss in mass, in kilograms per thousand revolutions, for tests performed under a specific set of conditions on materials of similar density;
- d) as the loss in volume, in cubic millimetres per thousand revolutions, when comparing materials of different densities.

10 Precision

The precision of this test method is not known because interlaboratory data are not available. It should be recognized that the precision of the method depends upon the procedure used to assess abrasive wear; different results are to be expected when evaluating mass loss, volume loss, changes in optical properties,

etc. This method might not be suitable for use in specifications or in case of disputed results as long as interlaboratory data are not available.

11 Test report

The test report shall include the following particulars:

- a) a reference to this International Standard and to the relevant material (or product) specification if it exists;
- b) complete details of the material or product tested;
- c) complete details of the abrasive used (abrasive wheel or paper) and, if determined, its abrasive power as measured under the conditions described in Annex A;
- d) the method of cleaning the test specimen surface;
- e) the load applied to each abrasive wheel;
- f) the number of revolutions set (when the test result is not itself expressed as a number of revolutions);
- g) the value of each individual determination, the mean value, and the method by which the wear was assessed;
- h) all other details of the test (changing of the abrasive paper, cleaning, conditioning, etc.).

Annex A (normative)

Determination of the abrasive power of the abrasive wheels

A.1 General

The abrasive power of the abrasive wheels shall be determined under the conditions defined in the relevant material (or product) specification. It is characterized by the loss in mass of a reference standard zinc plate after a specified number of revolutions.

A.2 Reference test specimen

The reference test specimen shall be prepared from a sheet of pure zinc (purity at least 99 %), with a thickness of 0,7 mm to 0,8 mm, pre-treated at 200 °C for 60 min.

The Vickers hardness of the surface of this sheet, measured in accordance with ISO 6507-1, shall be 42 HV 100 ± 2 HV 100, or the equivalent Brinell hardness value measured in accordance with ISO 6506-1.

A.3 Procedure

Clean the reference test specimen with acetone, weigh it to nearest 1 mg, then subject it to the test in accordance with the procedure described in Clause 8. The applied load and the number of revolutions shall be as specified in the relevant material (or product) standard. In the absence of any such instructions, use a load of 4,9 N and 1 000 revolutions.

After the test, weigh the specimen again to the nearest 1 mg.

A.4 Expression of results

The abrasive power of the wheels used (abrasive wheels or abrasive paper) shall be characterized by the loss, calculated for 1 000 revolutions, in mass or volume, or as specified in the relevant material (or product) specification.

A.5 Frequency of calibration

A.5.1 In the case of abrasive wheels, it is recommended that the wheels be calibrated on receipt and that this procedure be repeated every 3 months. After each calibration, the wheels shall be refaced before the first test.

A.5.2 In the case of abrasive paper, calibration shall be performed on a representative sample, and the first test shall be performed on a fresh (unused) portion of the abrasive paper. It is recommended that the paper be calibrated on receipt and that the procedure be repeated every 3 months, or as specified in the relevant material (or product) specification.

Bibliography

- [1] ASTM D1044, *Standard Test Method for Resistance of Transparent Plastics to Surface Abrasion*

British Standards Institution (BSI)

BSI is the national body responsible for preparing British Standards and other standards-related publications, information and services.

BSI is incorporated by Royal Charter. British Standards and other standardization products are published by BSI Standards Limited.

About us

We bring together business, industry, government, consumers, innovators and others to shape their combined experience and expertise into standards-based solutions.

The knowledge embodied in our standards has been carefully assembled in a dependable format and refined through our open consultation process. Organizations of all sizes and across all sectors choose standards to help them achieve their goals.

Information on standards

We can provide you with the knowledge that your organization needs to succeed. Find out more about British Standards by visiting our website at bsigroup.com/standards or contacting our Customer Services team or Knowledge Centre.

Buying standards

You can buy and download PDF versions of BSI publications, including British and adopted European and international standards, through our website at bsigroup.com/shop, where hard copies can also be purchased.

If you need international and foreign standards from other Standards Development Organizations, hard copies can be ordered from our Customer Services team.

Subscriptions

Our range of subscription services are designed to make using standards easier for you. For further information on our subscription products go to bsigroup.com/subscriptions.

With **British Standards Online (BSOL)** you'll have instant access to over 55,000 British and adopted European and international standards from your desktop. It's available 24/7 and is refreshed daily so you'll always be up to date.

You can keep in touch with standards developments and receive substantial discounts on the purchase price of standards, both in single copy and subscription format, by becoming a **BSI Subscribing Member**.

PLUS is an updating service exclusive to BSI Subscribing Members. You will automatically receive the latest hard copy of your standards when they're revised or replaced.

To find out more about becoming a BSI Subscribing Member and the benefits of membership, please visit bsigroup.com/shop.

With a **Multi-User Network Licence (MUNL)** you are able to host standards publications on your intranet. Licences can cover as few or as many users as you wish. With updates supplied as soon as they're available, you can be sure your documentation is current. For further information, email bsmusales@bsigroup.com.

BSI Group Headquarters

389 Chiswick High Road London W4 4AL UK

Revisions

Our British Standards and other publications are updated by amendment or revision.

We continually improve the quality of our products and services to benefit your business. If you find an inaccuracy or ambiguity within a British Standard or other BSI publication please inform the Knowledge Centre.

Copyright

All the data, software and documentation set out in all British Standards and other BSI publications are the property of and copyrighted by BSI, or some person or entity that owns copyright in the information used (such as the international standardization bodies) and has formally licensed such information to BSI for commercial publication and use. Except as permitted under the Copyright, Designs and Patents Act 1988 no extract may be reproduced, stored in a retrieval system or transmitted in any form or by any means – electronic, photocopying, recording or otherwise – without prior written permission from BSI. Details and advice can be obtained from the Copyright & Licensing Department.

Useful Contacts:

Customer Services

Tel: +44 845 086 9001

Email (orders): orders@bsigroup.com

Email (enquiries): cservices@bsigroup.com

Subscriptions

Tel: +44 845 086 9001

Email: subscriptions@bsigroup.com

Knowledge Centre

Tel: +44 20 8996 7004

Email: knowledgecentre@bsigroup.com

Copyright & Licensing

Tel: +44 20 8996 7070

Email: copyright@bsigroup.com



...making excellence a habit.™