

BS ISO 9154:2016



BSI Standards Publication

Aerospace — Bolts, with MJ threads, made of heat-resistant nickel-based alloy, strength class 1 550 MPa — Procurement specification

bsi.

...making excellence a habit.™

National foreword

This British Standard is the UK implementation of ISO 9154:2016. It supersedes BS A 363:2000 which is withdrawn.

The UK participation in its preparation was entrusted to Technical Committee ACE/12, Aerospace fasteners and fastening systems.

A list of organizations represented on this committee can be obtained on request to its secretary.

This publication does not purport to include all the necessary provisions of a contract. Users are responsible for its correct application.

© The British Standards Institution 2016.
Published by BSI Standards Limited 2016

ISBN 978 0 580 91523 9

ICS 49.030.20

Compliance with a British Standard cannot confer immunity from legal obligations.

This British Standard was published under the authority of the Standards Policy and Strategy Committee on 29 February 2016.

Amendments/corrigenda issued since publication

Date	Text affected
------	---------------

INTERNATIONAL
STANDARD

ISO
9154

Second edition
2016-02-15

**Aerospace — Bolts, with MJ threads,
made of heat-resistant nickel-based
alloy, strength class 1 550 MPa —
Procurement specification**

*Aéronautique et espace — Vis à filetage MJ, en alliage résistant
à chaud à base de nickel, classe de résistance 1 550 MPa —
Spécification d'approvisionnement*



Reference number
ISO 9154:2016(E)

© ISO 2016



COPYRIGHT PROTECTED DOCUMENT

© ISO 2016, Published in Switzerland

All rights reserved. Unless otherwise specified, no part of this publication may be reproduced or utilized otherwise in any form or by any means, electronic or mechanical, including photocopying, or posting on the internet or an intranet, without prior written permission. Permission can be requested from either ISO at the address below or ISO's member body in the country of the requester.

ISO copyright office
Ch. de Blandonnet 8 • CP 401
CH-1214 Vernier, Geneva, Switzerland
Tel. +41 22 749 01 11
Fax +41 22 749 09 47
copyright@iso.org
www.iso.org

Contents

Page

Foreword	iv
1 Scope	1
2 Normative references	1
3 Terms and definitions	1
4 Quality assurance	3
4.1 General.....	3
4.1.1 Approval of manufacturers.....	3
4.1.2 Qualification of bolts.....	3
4.1.3 Acceptance of bolts.....	3
4.2 Qualification inspection conditions.....	3
4.3 Acceptance inspection conditions.....	4
4.4 Use of “statistical process control (SPC)”.....	4
5 Requirements	5
Annex A (normative) Passivation treatment	20
Annex B (informative) Cross-sectional areas and formulae for tensile, tension fatigue and stress rupture loads	21
Annex C (informative) Cross-sectional areas and formulae for double shear loads	23
Bibliography	25

Foreword

ISO (the International Organization for Standardization) is a worldwide federation of national standards bodies (ISO member bodies). The work of preparing International Standards is normally carried out through ISO technical committees. Each member body interested in a subject for which a technical committee has been established has the right to be represented on that committee. International organizations, governmental and non-governmental, in liaison with ISO, also take part in the work. ISO collaborates closely with the International Electrotechnical Commission (IEC) on all matters of electrotechnical standardization.

The procedures used to develop this document and those intended for its further maintenance are described in the ISO/IEC Directives, Part 1. In particular the different approval criteria needed for the different types of ISO documents should be noted. This document was drafted in accordance with the editorial rules of the ISO/IEC Directives, Part 2 (see www.iso.org/directives).

Attention is drawn to the possibility that some of the elements of this document may be the subject of patent rights. ISO shall not be held responsible for identifying any or all such patent rights. Details of any patent rights identified during the development of the document will be in the Introduction and/or on the ISO list of patent declarations received (see www.iso.org/patents).

Any trade name used in this document is information given for the convenience of users and does not constitute an endorsement.

For an explanation on the meaning of ISO specific terms and expressions related to conformity assessment, as well as information about ISO's adherence to the WTO principles in the Technical Barriers to Trade (TBT) see the following URL: [Foreword - Supplementary information](#)

The committee responsible for this document is ISO/TC 20, *Aircraft and space vehicles*, Subcommittee SC 4, *Aerospace fastener systems*.

This second edition cancels and replaces the first edition (ISO 9154:1999), which has been technically revised.

Annex A forms a normative part of this International Standard. Annexes B and C are for information only.

Aerospace — Bolts, with MJ threads, made of heat-resistant nickel-based alloy, strength class 1 550 MPa — Procurement specification

1 Scope

This International Standard specifies the characteristics and quality assurance requirements for MJ threads bolts made of heat-resisting nickel-base alloy, of strength class 1 550 MPa, for aerospace construction.

It is applicable whenever it is referenced in a definition document.

2 Normative references

The following documents, in whole or in part, are normatively referenced in this document and are indispensable for its application. For dated references, only the edition cited applies. For undated references, the latest edition of the referenced document (including any amendments) applies.

ISO 2859-1, *Sampling procedures for inspection by attributes — Part 1: Sampling schemes indexed by acceptance quality limit (AQL) for lot-by-lot inspection*

ISO 3452-1, *Non-destructive testing — Penetrant testing — Part 1: General principles*

ISO 5855-2, *Aerospace — MJ threads — Part 2: Limit dimensions for bolts and nuts*

3 Terms and definitions

For the purposes of this document, the following terms and definitions apply.

3.1

batch

quantity of finished products, manufactured using the same processes, from a single material cast (single heat of alloy) having the same definition document number, diameter, and length code, heat treated together to the same specified condition and produced as one continuous run

3.2

inspection lot

quantity of bolts products from a single production *batch* (3.1) having the same definition document number

3.3

definition document

document specifying directly or indirectly all the requirements for products

Note 1 to entry: The definition document may be an International Standard, an in-house standard, or a drawing.

3.4

crack

rupture in the material which may extend in any direction and which may be intercrystalline or transcrystalline in character

3.5

seam

longitudinal open surface defect

3.6

lap

surface defect caused by folding over metal fins or sharp corners and then forming them into the surface

3.7

crevice

hollow area at thread crest

3.8

inclusions

non-metallic particles originating from the material manufacturing process

Note 1 to entry: These particles may be isolated or arranged in strings.

3.9

microstructural shearing

shear banding

V- or U-shaped rippled grain structure immediately below the thread root or chevron-shaped rippled grain structure within the thread crest

3.10

sampling plan

plan according to which one or more samples are taken in order to obtain information and possibly to reach a decision, if possible

Note 1 to entry: In this International Standard, each sampling plan defines the number of bolts to be inspected as a function of the size of the batch and the acceptance number [number of defective items acceptable (Ac)]¹⁾

3.11

simple random sampling

sampling of n items from a population of N items in such a way that all possible combinations of n items have the same probability of being chosen

3.12

critical defect

defect that, according to judgement and experience, is likely to result in hazardous or unsafe conditions for individuals using, maintaining, or depending upon the considered product, or that is likely to prevent performance of the function of a major end item

3.13

major defect

defect other than critical that is likely to result in a failure or to reduce materially the usability of the considered product for its intended purpose

3.14

minor defect

defect that is not likely to reduce materially the usability of the considered product for its intended purpose or that is a departure from established specifications having little bearing on the effective use or operation of this product

3.15

limiting quality

LQ

<sampling plan> a quality level which corresponds to a specified and relatively low probability of acceptance

Note 1 to entry: It is the limiting lot quality characteristic that the consumer is willing to accept with a low probability that a lot of this quality would occur.

1) Supplementary information taken from ISO 2859-1.

Note 2 to entry: For the purposes of this International Standard, the limiting quality quoted in [Table 4](#) corresponds to a probability of acceptance of 10 %.

3.16

acceptable quality limit

AQL

maximum percent defective (or the maximum number of defects per hundred units) that, for purposes of sampling inspection, can be considered satisfactory as a process average

Note 1 to entry: Variant: Quality level, which in a sampling plan, corresponds to a specified but relatively high probability of acceptance.

4 Quality assurance

4.1 General

4.1.1 Approval of manufacturers

All parts which are going to be assembled to a flying aircraft, need to be qualified per airworthiness regulations. The manufacturer of these parts shall have a quality system that complies with EASA / FAA or an equivalent regulation such as SAE AS 9100 / EN 9100.

Quality documentation for parts produced in accordance with this International Standard, shall be maintained for a minimum period of 10 years.

The approval of the manufacturer shall be granted by the Certification Authorities, or their appointed representative, who may be the prime contractor.

4.1.2 Qualification of bolts

The purpose of inspections²⁾ is to verify that the design and manufacturing conditions of a bolt enable it to satisfy the requirements of this International Standard.

The qualification shall be granted by the Certification Authorities in the purchaser's country, or their appointed representative, who may be the prime contractor.

4.1.3 Acceptance of bolts

The purpose of inspections is to verify, as simply as possible, using a method which is inexpensive, with the uncertainty inherent in statistical sampling, that the bolts satisfy the requirements of this International Standard.

They shall be carried out by the manufacturer or under his responsibility.

The manufacturer is responsible for the quality of the bolts manufactured.

4.2 Qualification inspection conditions

Unless otherwise specified, the inspection shall be carried out on the following:

- each type and diameter of bolt;
- 28 bolts selected from a single inspection lot by simple random sampling.

2) In order to simplify the text, the term "inspections" used in this International Standard also refers to "inspections and tests".

The test programme may possibly be reduced, or the qualification granted, without inspection: Any such decision shall be based on the results obtained on similar types and diameters of bolts, provided that the design and manufacturing conditions are identical.

The inspections shall be repeated on any bolt if the manufacturing conditions have modified.

[Table 2](#) indicates the allocation of bolt sample for the inspections.

4.3 Acceptance inspection conditions

Inspections shall be carried out on each production batch or inspection lot. Bolts from the batch or lot to be inspected shall be selected by simple random sampling.

Each bolt may be submitted to several inspections, provided that none of characteristics to be verified has been previously altered during any of these inspections.

The bolts to be subjected to destructive inspections may be those on which non-destructive inspections have been carried out.

If a more stringent inspection is deemed necessary, all or part of the qualification inspections may be performed during the acceptance inspections. In this case, the number of bolts submitted is the same as that submitted for qualification inspection.

Production batches or inspection lots declared unacceptable after the production acceptance inspections shall be submitted for re-inspection only after all the defective units have been removed and/or defects have been corrected. In this case, the attribute(s) which caused the rejection shall be verified using a sample of twice the normal size with the same number of defective items acceptable.

4.4 Use of “statistical process control (SPC)”

When a characteristic is obtained by a controlled statistical process, the manufacturer has the possibility, in order to declare conformity of the characteristic, of refraining from the final systematic sampling provided for in this International Standard, if he is capable of **formally justifying** this choice by using ISO/TR 13425 and the standards quoted in it as a basis.

This justification will include the following phases:

- analysis of the key characteristics of the product;
- analysis of the risks for each implemented process;
- determination of the parameters and/or characteristics to be respected under SPC;
- determination of the capabilities of each process;
- drawing up an inspection plan and integration in the manufacturing process;
- drawing up of routes and control charts (ISO 7870-1, ISO 7870-2, ISO 7870-3);
- use of control charts for data consolidation;
- determination of the audits to be run and the control to be carried out to ensure reliability of the device.

To be usable in production, this process shall or should be validated beforehand by the qualifying body, either during the qualification phase, or a posteriori according to the case, by analysing the justificatory file and the results of the qualification inspections such as provided for in [Clause 5](#). **Such SPC process not applicable to destructive tests** apart from the measurement of the hydrogen content.

5 Requirements

The requirements of this International Standard are given in [Table 1](#) and, unless otherwise specified, they apply to bolts ready for use. The test temperature, unless otherwise specified, shall be the ambient temperature. These requirements complement the requirements of all other standards or specifications referenced in the definition document.

Table 1 — Requirements and test methods

Clause	Characteristic	Requirement	Inspection and test method	Designation ^a	Sample size
5.1	Material	In accordance with the definition document	See material standard		As required by semi-finished product
5.2	Dimensions	In accordance with the definition document	Standard gauging	Q	20
				A	Tables 3 and 4
5.3	Manufacturing				
5.3.1	Forging	The heads of the bolts shall be formed by a forging process before heat treatment. The equipment shall ensure an adequate and uniform temperature throughout the production batch.	According to the route of manufacture The equipment used shall be approved.	Q	
5.3.2	Heat treatment	The forged blanks shall be heat-treated to produce the properties required by the definition document. Blanks shall not be heat-treated more than twice.	According to the process route The equipment used shall be approved.	Q	
5.3.3	Removal of surface contamination (bearing face and shank)	If machining is required, it is necessary to respect the requirements of 5.5.1.			
5.3.4	Fillet between head and shank	The fillet radius shall be cold rolled after heat treatment and machining so as to remove all visual signs of machining and to create superficial cold-working. The deformation shall not exceed the values in Figure 1 . The requirements apply on bolts except on the following: a) threaded to head bolts; b) bolts with a nominal diameter <5 mm.	Visual examination at a suitable magnification of ×10 to ×20 and dimensional check	Q	5
				A	Tables 3 and 4
5.3.5	Threads	Formed by a single rolling process after full heat treatment	According to the manufacturing route	Q	
^a Q = Qualification, A = Acceptance.					

Table 1 (continued)

Clause	Characteristic	Requirement	Inspection and test method	Designation ^a	Sample size
5.3.6	Surface roughness	In accordance with the definition document	ISO 4288	Q	5
			Visual examination	A	Tables 3 and 4
5.3.7	Passivation treatment	Uncoated finished bolts shall be passivated in accordance with Annex A After 2 h of salt spray, bolts shall show no evidence of corrosion or staining	ISO 9227	Q	5
			Visual examination	A	100 %
5.3.8	Surface coating	In accordance with the definition document	See surface coating standard	Q	5
				A	Tables 3 and 4
5.4	Mechanical properties				
5.4.1	Tensile stress	See Table 5 The requirements apply to bolts except for the following: a) protruding head bolts of grip length < twice the nominal shank diameter; b) countersunk head bolts of grip length < two and a half times the nominal shank diameter; c) threaded to head bolts of overall length < three times the nominal thread diameter or bolts having an overall length <18 mm; d) bolts with a thread length < one and a half times the thread nominal diameter; e) bolts with a nominal diameter < 4 mm.	On bolts: ISO 7961 On test specimen: ISO 6892-1 The test specimens to be produced from the same material batch as the bolts and treated with them.		
5.4.1.1	- at ambient temperature			Q	5
				A	Table 6 or Table 7
5.4.1.2	- at elevated temperature	Applicable to protruding head only. Test temperature: 480 °C		Q	2

^a Q = Qualification, A = Acceptance.

Table 1 (continued)

Clause	Characteristic	Requirement	Inspection and test method	Designation ^a	Sample size
5.4.2	Double shear strength	See Table 5 . The requirements apply on bolts except on the following: a) protruding head bolts of grip length < twice the nominal shank diameter; b) countersunk head bolts of grip length < two and a half times the nominal shank diameter; c) bolts with a nominal diameter < 4 mm; d) threaded to head bolts.	ISO 7961	Q	5
				A	Table 6 or Table 7
5.4.3	Tension fatigue strength	Life — mean value: 65 000 cycles min. — individual value: 45 000 cycles min. 130 000 cycles max. Frequency: 140 Hz max. Loads: See Table 8 . The requirements apply on bolts except on the following: a) protruding head bolts of grip length < twice the nominal shank diameter; b) countersunk head bolts of grip length < two and a half times the nominal shank diameter; c) bolts with a nominal diameter < 5mm; d) drilled shank bolts; e) threaded to head bolts.	ISO 7961	Q	5
				A	Table 6
5.4.4	Hardness	Before surface coating is applied, the hardness, when measured at the end of the bolt (thread end), shall be: — Rockwell: 44 HRC min. — Vickers: 434 HV 30 min.	ISO 6507-1 ISO 6508-1	Q	5
				A	Tables 3 and 4

^a Q = Qualification, A = Acceptance.

Table 1 (continued)

Clause	Characteristic	Requirement	Inspection and test method	Designation ^a	Sample size
5.4.5	Recess removal torque	The recess of the finished bolt shall withstand the torque values specified in the product standard or definition document. During the test, the driving feature shall show no camout and the recess no excessive distortion.	With the bolt fixed in rotation, submit the driving feature to the specified end load with the application of the required removal torque at the same time.	Q	5
5.4.6	Stress rupture at elevated temperature	See Table 5 . Test conditions: 100 h at 480 °C The requirements apply on bolts except on the following: a) protruding head bolts of grip length < twice the nominal shank diameter; b) countersunk head bolts of grip length < two and a half times the nominal shank diameter; c) bolts with a nominal diameter < 5mm; d) drilled shank bolts; e) threaded to head bolts.	ISO 7961	Q	3
5.4.7	Corrosion	No corrosion or staining after 2 h of exposure	ISO 9227	Q	3
				A	Table 6
5.5	Metallurgical properties				
5.5.1	Head to shank grain flow	Flow lines shall closely conform to the contour indicated by Figure 2 . Breaks in flow lines, see Figure 2 . If there is doubt about the acceptability, it shall be decided by the results of the acceptance tension fatigue test (see 5.4.3). This test shall thus be carried out on exempted bolt types.	Macroscopic examination × 10 to × 20 times (see Figure 3), after appropriate etching	Q	5
				A	Table 6
5.5.2	Thread grain flow	Shall be continuous and shall follow the general thread contour with the maximum density at the bottom of the root radius (see Figure 4).	Macroscopic examination × 10 to × 20 (see Figure 3), after appropriate etching	Q	5
				A	Table 6
^a Q = Qualification, A = Acceptance.					

Table 1 (continued)

Clause	Characteristic	Requirement	Inspection and test method	Designation ^a	Sample size
5.5.3	Micro-structure, overheating, and surface contamination	<p>Shall not</p> <ul style="list-style-type: none"> — have microporosity or major segregation, — show intergranular attack prior to or after the corrosion test (see 5.4.7), and — show overheating. <p>Overheating of the head, except for the bearing surface, is permitted provided that its maximum depth, measured normal to the surface of the head, does not exceed the following:</p> <ul style="list-style-type: none"> — 1,5 mm for diameters ≤16 mm; — 2,8 mm for diameters >16 mm. <p>Surface contamination on the non-bearing surfaces of the head shall not exceed 0,08 mm for all diameters. It is not permitted on other surfaces.</p>	Microscopic examination at a magnification of × 100 (see Figure 3), after appropriate etching	Q	5
				A	Table 6
5.5.4	Discontinuities	See Table 9 .	<p>Fluorescent penetrant inspection according to ISO 3452-1</p> <p>In case of doubt; submit the suspect bolts to a microscopic examination at a magnification of ×100 (see Figure 3), after appropriate etching.</p>	Q	5
				A	Penetrant Tables 3 and 4 Microscopic examination Table 6
5.6	Marking	In accordance with the definition document	Visual inspection	Q	25
				A	Tables 3 and 4
5.7	Delivery				
5.7.1	Packaging	<p>To prevent all damage or corrosion occurring in the course of handling, transportation, and storage.</p> <p>Each basic package shall only contain bolts from the same inspection lot number.</p>	Visual inspection	A	100 %
^a Q = Qualification, A = Acceptance.					

Table 1 (continued)

Clause	Characteristic	Requirement	Inspection and test method	Designation ^a	Sample size
5.7.2	Labelling	Each basic package shall carry a label which legibly indicates the following: — the designation as specified by the definition document; — the quantity; — the inspection lot number; — the inspector's stamp.	Visual inspection	A	100 %
5.7.3	Certificate of conformity	At the demand of the customer, each delivery shall be accompanied by a certificate of conformity certifying that, without exception or dispensation, the bolts satisfy the requirements of this International Standard.	Visual examination	A	100 %

^a Q = Qualification, A = Acceptance.

Table 2 — Summary of inspections for qualification and allocation of bolt samples

Characteristic	Defined in	Bolts sample number																											
		1	2	3	4	5	6	7	8	9	10	11	12	13	14	15	16	17	18	19	20	21	22	23	24	25			
Non-destructive tests																													
Dimensions	5.2						X	X	X	X	X	X	X	X	X	X	X	X	X	X	X	X	X	X	X	X	X		
Dimensions	5.2						X	X	X	X	X	X	X	X	X	X	X	X	X	X	X	X	X	X	X	X	X		
Fillet between head and shank	5.3.4 ^a	X	X	X	X	X																							
Surface roughness	5.3.6 ^a	X	X	X	X	X																							
Surface coating	5.3.8						X	X	X	X	X																		
Recess removal torque	5.4.5																						X	X	X	X	X		
Discontinuities — Fluorescent	5.5.4 ^a	X	X	X	X	X																							
Marking	5.6	X	X	X	X	X	X	X	X	X	X	X	X	X	X	X	X	X	X	X	X	X	X	X	X	X	X		
Destructive tests																													
Tensile strength																													
at ambient temperature	5.4.1.1						X	X	X	X	X																		
at elevated temperature	5.4.1.2											X	X																
Double shear strength	5.4.2	X	X	X	X	X																							
Tension fatigue strength	5.4.3													X	X	X	X	X											
Hardness	5.4.4 ^a	X	X	X	X	X																							
Stress rupture at elevated temperature	5.4.6																			X	X	X							

^a Tests to be carried out prior to coating.

Table 2 (continued)

Characteristic	Defined in	Bolts sample number																								
		1	2	3	4	5	6	7	8	9	10	11	12	13	14	15	16	17	18	19	20	21	22	23	24	25
Corrosion	5.4.7																					X	X	X		
Head to shank grain flow	5.5.1	X	X	X	X	X																				
Thread grain flow	5.5.2	X	X	X	X	X																				
Microstructure, over-heating and surface contamination	5.5.3	X	X	X	X	X																				
Passivation treatment	5.3.7																					X	X	X	X	X

^a Tests to be carried out prior to coating.

Table 3 — Classification of defects

Category of defects	Acceptable quality limit (AQL)	Characteristics
Major	0,065 %	Discontinuities
	1 %	Thread size Shank diameter Grip length Fillet radius: Distorsion and dimensions Drilled hole(s) missing when required Surface roughness Burr and tool marks Surface coating Marking Depth of lightening hole Thread form Incomplete threads Head angle (countersunk head) Perpendicularity of head-bearing surface Straightness of shank
Minor	2,5 %	Overall length Head diameter Lightening hole diameter Drilled hole(s) position tolerance and diameter Wrenching configuration Run-out — Head external diameter to shank Run-out — Thread pitch diameter to shank Recess torque
	4 %	Chamfer of thread end Hexagon head: chamfer and washer face Collar height Head height

Table 4 — Sampling plans for visual inspections and dimensional characteristics

Production batch size	Sample size	Acceptance number (Ac) and limiting quality (LQ) in accordance with the acceptable quality limit (AQL)							
		AQL 0,065 %		AQL 1 %		AQL 2,5 %		AQL 4 %	
		Ac	LQ ₁₀ %	Ac	LQ ₁₀ %	Ac	LQ ₁₀ %	Ac	LQ ₁₀ %
2 to 8	2	↓	↓	↓	↓	↓	↓	↓	↓
9 to 15	3	↓	↓	↓	↓	↓	↓	0	53,60
16 to 25	5	↓	↓	↓	↓	0	36,90	↑	↑
26 to 50	8	↓	↓	↓	↓	↓	↑	↓	↓
51 to 90	13	↓	↓	0	16,20	↑	↓	1	26,80
91 to 150	20	↓	↓	↑	↑	1	18,10	2	24,50
151 to 280	32	↓	↓	↓	↓	2	15,80	3	19,70
281 to 500	50	↓	↓	1	7,56	3	12,90	5	17,80
501 to 1 200	80	↓	↓	2	6,52	5	11,30	7	14,30
1 201 to 3 200	125	↓	↓	3	5,27	7	9,24	10	12,10
3 201 to 10 000	200	0	1,140	5	4,59	10	7,60	14	9,91
10 001 to 35 000	315	↑	↑	7	3,71	14	6,33	21	8,84
35 001 to 150 000	500	↓	↓	10	3,06	21	5,60	↑	↑
150 001 to 500 000	800	1	0,485	14	2,51	↑	↑	↑	↑

↑ Use sampling plan above (sampling size and Ac).

↓ Use sampling plan below (sampling size and Ac).

The data given in this table are based on single sampling plans for a normal inspection, as specified in ISO 2859-1:1999, Tables 2-A and 6-A. A 100 % inspection should be performed when the sample size is equal to or greater than the batch size.

Other sampling plans specified in ISO 2859-1 may be used (double or multiple sampling), but these shall be chosen in such a way as to ensure an equivalent quality limit.

For those manufacturers who carry out an inspection during the manufacturing process (inspection on a machine and/or inspection between operations), the sampling plan for the final inspection shall be compiled in such a way that the overall inspection plan shall guarantee an equivalent quality limit.

Table 5 — Minimum loads for tensile^a, double shear^b, and stress rupture^a test

Thread		Tensile strength test at ambient temperature				Tensile strength test at elevated temperature	Double shear strength test	Stress rupture test at elevated temperature
Diameter	Pitch	Protruding head	Countersunk head					
			normal head	reduced head				
mm	mm	kN	kN	no recess kN	recessed kN	kN	kN	kN
4	0,7	14,8	11,8	7,4	6,6	11,8	22,9	7,4
5	0,8	23,7	19,0	11,9	10,7	19,0	35,7	11,9
6	1,0	33,7	27,0	16,9	15,2	27,0	51,5	16,9
7		47,9	38,4	24,0	19,2	38,4	70,0	24,0
8		64,6	51,7	32,3	25,8	51,7	91,5	32,3
10	1,25	101,0	80,8	50,5	40,4	80,8	143,0	50,5
12		151,0	120,0	75,5	60,4	120,0	206,0	75,5
14	1,5	204,0	163,0	102,0	81,6	163,0	280,0	102,0
16		272,0	218,0	136,0	87,0	218,0	366,0	136,0
18		350,0	280,0	175,0	112,0	280,0	438,0	175,0
20		438,0	350,0	219,0	140,0	350,0	540,0	219,0
22		535,0	428,0	268,0	171,0	428,0	654,0	268,0
24	2,0	623,0	498,0	312,0	199,0	498,0	778,0	312,0

^a See Annex B for areas and formulae.
^b See Annex C for areas and formulae.

Table 6 — Sampling plans for the inspection of mechanical and metallurgical characteristics

Production batch size	Sample size destructive testing	Acceptance number (Ac)
≤500	3	0
501 to 3 200	5	0
3 201 to 35 000	5	0
≥35 001	8	0

Table 7 — Variable sampling for tensile and shear tests

Production batch size	Sample number	Acceptable quality limit approximately AQL 1 %				
		Sample size	Total	First sample		Combined sample
				K_a	K_r	
≤150	First	4	4	2,42	1,35	—
	Second	8	12	—	—	1,72
151 to 280	First	5	5	2,21	0,89	—
	Second	10	15	—	—	1,74
281 to 500	First	6	6	2,22	0,94	—
	Second	12	18	—	—	1,70
501 to 1 200	First	7	7	2,32	1,10	—
	Second	14	21	—	—	1,78
1 201 to 3 200	First	8	8	2,48	0,99	—
	Second	16	24	—	—	1,81
≥3 200	First	10	10	2,34	1,31	—
	Second	20	30	—	—	1,80

Evaluate each sample by tensile or shear tests as follows:

First sample: Accept if $\bar{X}_1 - K_a S_1 \geq M$ Reject if $\bar{X}_1 - K_r S_1 < M$

Take a second sample if batch is doubtful; evaluate as follows:

Second sample: Accept if $\bar{X}_t - K_t S_t \geq M$ Reject if $\bar{X}_t - K_r S_t < M$

Definition of symbols:

\bar{X}_1 is the average of X_1 individual values in the first sample;

K_a , K_r , and K_t are coefficients of S which is the best estimate of standard deviation and which are used to determine acceptance or rejection of the batch represented by the sample;

M is the minimum tensile or the minimum shear value according to [Table 5](#);

\bar{X}_t is the average of X_t individual values in the combined samples;

$$S_1 = \sqrt{\frac{N_1 \sum X_1^2 - (\sum X_1)^2}{N_1(N_1 - 1)}}$$

where

N_1 is the sample size of the first sample;

$\sum X_1^2$ is the sum of squares of X_1 values;

$(\sum X_1)^2$ is the square of the sum of X_1 values;

$$S_t = \sqrt{\frac{N_t \sum X_t^2 - (\sum X_t)^2}{N_t(N_t - 1)}}$$

where

N_t is the sample size of the combined sample;

$\sum X_t^2$ is the sum of squares of X_t values;

$(\sum X_t)^2$ is the square of the sum of X_t values.

Table 8 — Tension fatigue test loads^a

Thread		Protruding head		Countersunk head					
Diameter	Pitch			normal head		reduced head			
		High load ±2 % kN	Low load ±2 % kN	High load ±2 % kN	Low load ±2 % kN	no recess		recessed	
mm	mm					High load ±2 % kN	Low load ±2 % kN	High load ±2 % kN	Low load ±2 % kN
5	0,8	12,3	1,2	8,2	0,8	6,2	0,6	5,6	0,6
6	1,0	17,5	1,8	11,6	1,2	8,8	0,9	7,9	0,8
7	1,0	24,9	2,5	19,9	2,0	12,5	1,3	10,0	1,0
8	1,0	33,6	3,4	26,9	2,7	16,8	1,7	13,4	1,3
10	1,25	52,5	5,3	42,0	4,2	26,3	2,6	21,0	2,1
12	1,25	78,5	7,9	62,9	6,3	39,3	3,9	31,4	3,1
14	1,5	106,0	10,6	84,8	8,5	53,0	5,3	42,4	4,2
16	1,5	141,0	14,1	113,0	11,3	70,7	7,1	45,2	4,5
18	1,5	182,0	18,2	146,0	14,6	91,0	9,1	58,2	5,8
20	1,5	228,0	22,8	182,0	18,2	114,0	11,4	72,8	7,3
22	1,5	278,0	27,8	222,0	22,3	139,0	13,9	88,9	8,9
24	2,0	324,0	32,4	259,0	25,9	162,0	16,2	103,0	10,3

^a See Annex B for areas and formulae.

Table 9 — Discontinuities

Type	Location	Maximum depth (mm), normal to surface		
		Bolts threaded to head (all diameters) and other bolts $D < 5$ mm	Bolts $5 \text{ mm} \leq D \leq 16$ mm	Bolts $D > 16$ mm
Cracks	All zones	0	0	0
Laps, seams, inclusions	Head to shank fillet	0	0	0
	Root of thread ^a			
	Non-bearing surface of head	0,30	0,25	0,30
Seams	Shank and bearing face	0,15	0,12	0,15
Laps and seams, forming an angle of more than 10° with longitudinal axis	Shank	0,10	0	0
Laps	Unload flank of threads	See Table 10 and Figures 5 and 6		
Laps and/or crevices	Crest of thread ^b	See Table 10 and Figures 6 and 8 . NOTE Values increased by half the difference between the actual measured diameter and the minimum external diameter (see ISO 5855-2)		

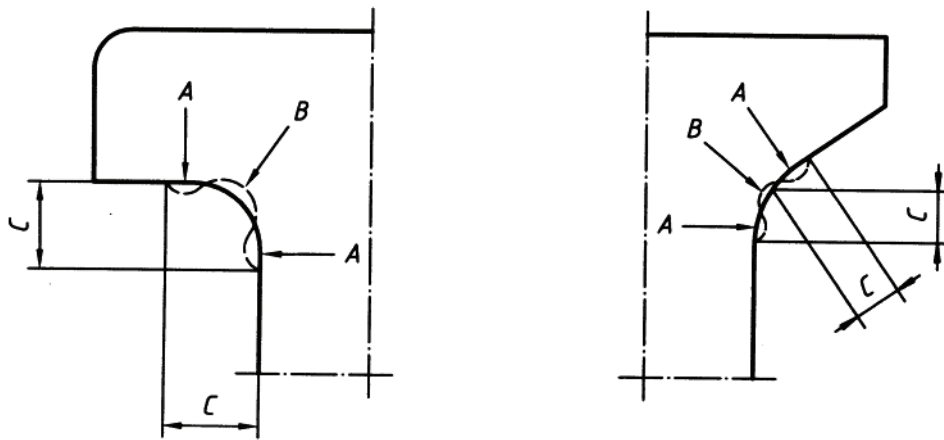
^a See [Figure 5](#).
^b See [Figure 7](#).

Table 10 — Thread discontinuities^a

Dimensions in millimetres

Thread pitch	Depth max.
0,70	0,08
0,80	0,09
1,00	0,12
1,25	0,15
1,50	0,18
2,00	0,24

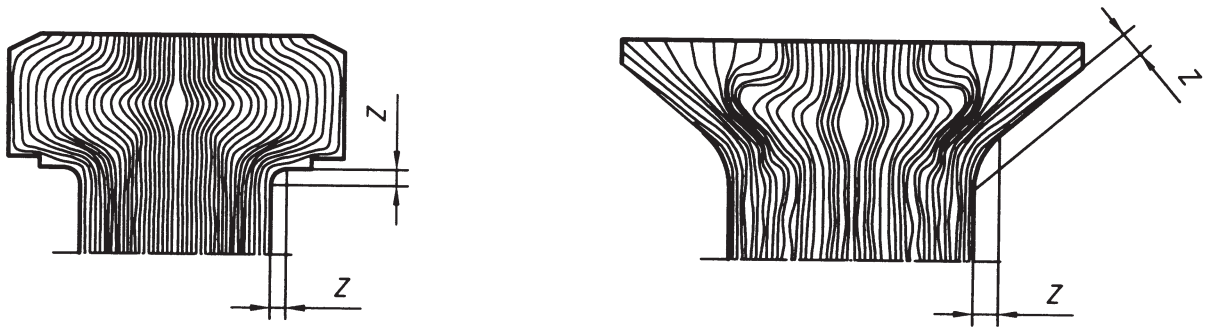
^a Nature and position (see [Table 9](#)).



Dimensions in millimetres

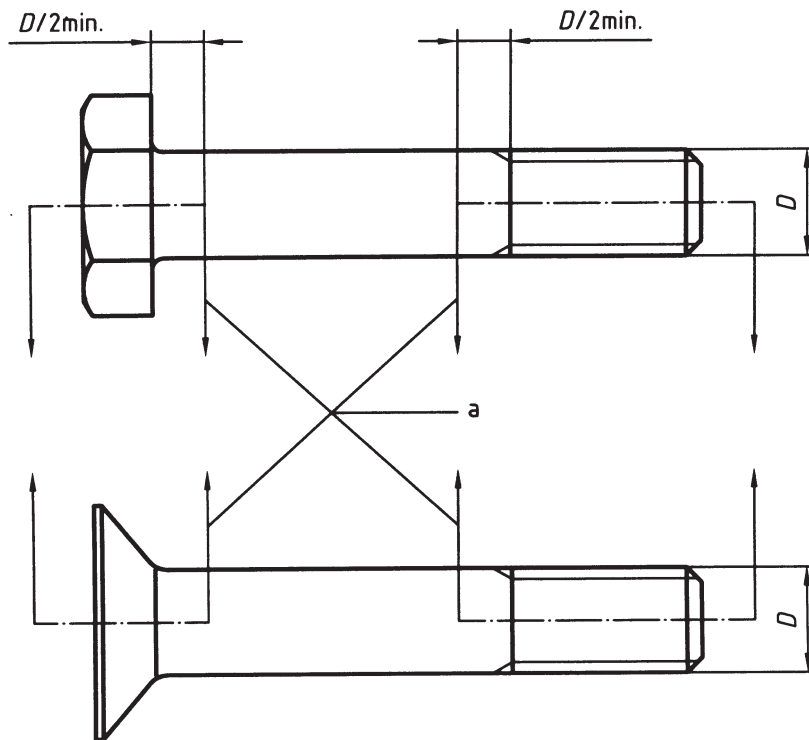
Bolts nominal diameter	A max.	B max.	C max.
5	0,03	0,025	1,5
6			
7			
8			2,5
10			
12			
14			
16			3,5
18			
20			
22	4,5		
24			

Figure 1 — Distortion in head to shank fillet area (see 5.3.4)



NOTE Cut grain acceptable in the zone defined by Z dimensions [$Z_{\max} = R_{\max}$ (where R_{\max} is the maximum fillet radius specified in the definition document)].

Figure 2 — Head to shank grain flow (see 5.5.1)



Key

a Cut here for test pieces to be subjected to microscopic or macroscopic examination.

Figure 3 — Metallurgical test pieces (see 5.5.1 to 5.5.4)

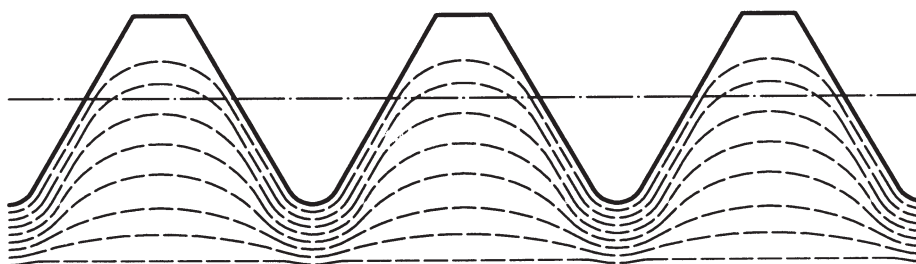
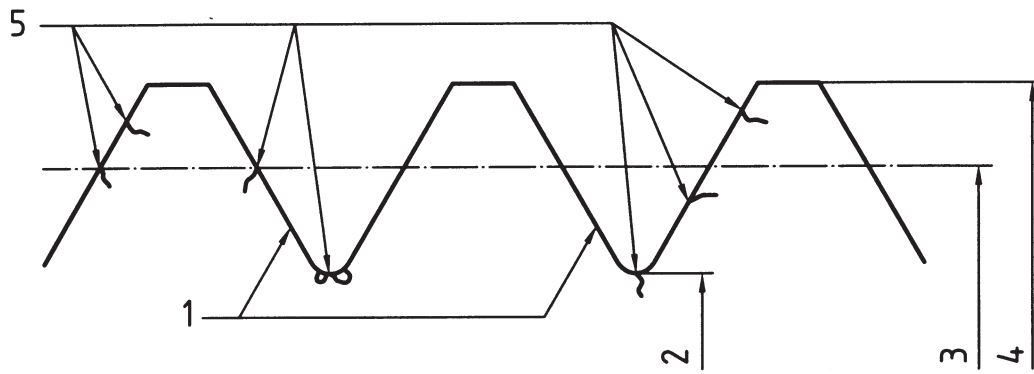


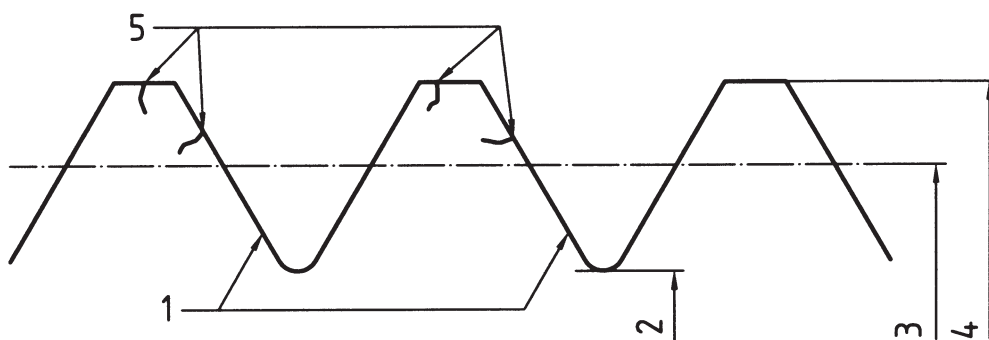
Figure 4 — Grain flow in threads (see 5.5.2)



Key

- 1 non-loaded flanks
- 2 minor diameter
- 3 pitch diameter
- 4 major diameter
- 5 laps and seams not permissible

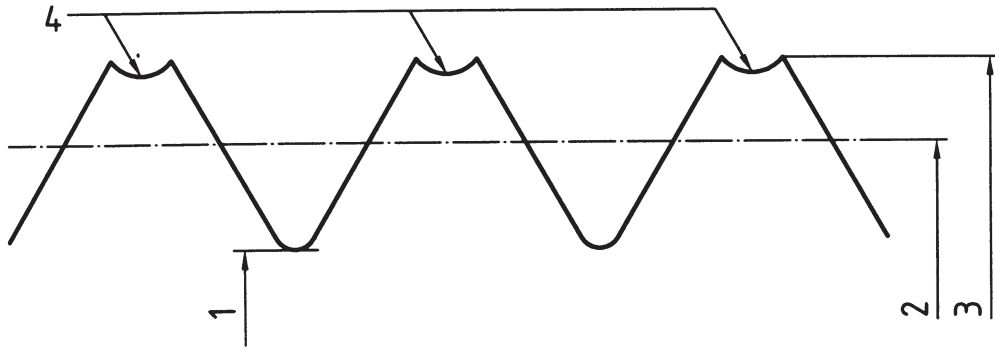
Figure 5 — Not permissible laps, seams, and surface irregularities in threads



Key

- 1 non-loaded flanks
- 2 minor diameter
- 3 pitch diameter
- 4 major diameter
- 5 laps and seams not permissible

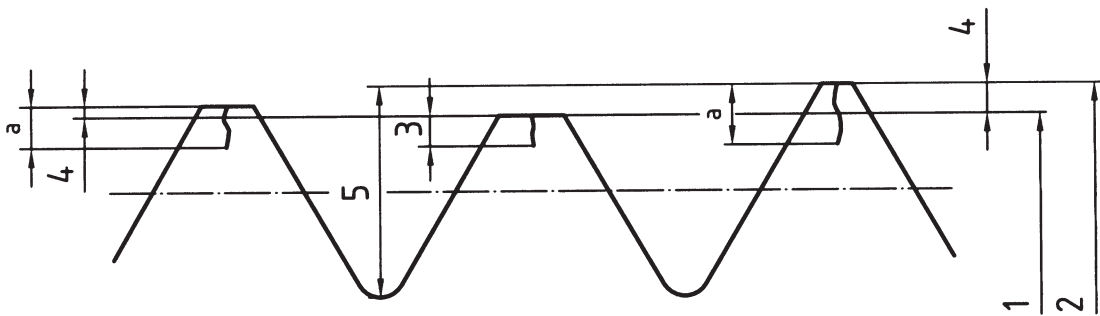
Figure 6 — Permissible laps and seams in threads



Key

- 1 minor diameter
- 2 pitch diameter
- 3 major diameter
- 4 permissible surface irregularities (see [Table 9](#))

Figure 7 — Permissible surface irregularities in threads



Key

- 1 minimum major diameter
- 2 maximum major diameter
- 3 maximum permissible discontinuity 20 % of basic thread depth (see [Table 10](#))
- 4 difference of actual major diameter and minimum major diameter
- 5 basic thread depth
- a See [Tables 9](#) and [10](#).

Figure 8 — Thread discontinuities

Annex A **(normative)**

Passivation treatment

A.1 Pre-treatment

Before passivation, the bolts shall be free from oil, grease, rust, scale, and other foreign matter. The cleaning method shall have no deleterious effect on the material properties.

A.2 Passivation

Bolts shall be completely immersed in an aqueous solution of 25 % to 45 % by volume of nitric acid within the temperature range of 21 °C to 32 °C for no less than 30 min.

A.3 Water rinse

Immediately after removal from the solution, the parts shall be thoroughly rinsed; final rinse shall be carried out in clean water. Clean water is defined as water containing a maximum total solid content of 200 µg/g.

A.4 Finish

The passivated parts shall exhibit a chemically clean surface and shall show no etching, pitting, or frosting when examined. A slight discoloration is allowed.

A chemically clean surface is defined as a surface upon which water, when applied momentarily to the surface, will remain on that surface as an even, continuous film and, in addition, is free of any foreign material or residual film deposit which would be detrimental to the quality of the bolt.

Annex B (informative)

Cross-sectional areas and formulae for tensile, tension fatigue and stress rupture loads

B.1 Cross-sectional area values

See [Table B.1](#).

Table B.1

Diameter mm	Thread		Cross sectional areas mm ²
		Pitch mm	
4		0,7	9,517
5		0,8	15,296
6		1,00	21,753
7			30,930
8			41,682
10		1,25	65,136
12			97,128
14		1,50	131,562
16			175,613
18			225,949
20			282,571
22			345,478
24		2,00	401,680

B.2 Formulae

B.2.1 Cross-sectional area

$$A_t = \frac{\pi}{4} (d_3)^2 \left[2 - \left(\frac{d_3}{d_2} \right)^2 \right] \quad (\text{B.1})$$

where

d_2 is the maximum pitch diameter (according to ISO 5855-2), in millimetres;

d_3 is the maximum root diameter (according to ISO 5855-2), in millimetres.

B.2.2 Tensile test load at ambient temperature

$$\text{Load} = \frac{A_t k R_m}{1\,000} \text{ kN} \quad (\text{B.2})$$

where

k for protruding head bolts = 1,00

k for normal countersunk head bolts = 0,80

k for reduced countersunk head bolts = 0,50

without drive recess in head

k for reduced countersunk head bolts with drive recess in head:

for diameters $D \leq 6$ mm = 0,45

for diameters $7 \text{ mm} \leq D \leq 14$ mm = 0,40

for diameters $D \geq 16$ mm = 0,32

$R_m = 1\,550$ MPa

B.2.3 Tensile test load at elevated temperature

0,8 times tensile test load at ambient temperature.

B.2.4 Tension fatigue test loads

- a) High load = 0,52 times tensile strength test load at ambient temperature, except for normal countersunk head bolts with diameters 5 mm and 6 mm: 0,43 times tensile strength test load at ambient temperature;
- b) Low load = 0,1 times high load.

B.2.5 Stress rupture test load at elevated temperature

0,5 times tensile strength test load at ambient temperature, protruding head bolts.

Annex C (informative)

Cross-sectional areas and formulae for double shear loads

C.1 Cross-sectional area values (single section)

See [Table C.1](#).

Table C.1

Nominal shank diameter mm	Cross-sectional area mm ²
4	12,566
5	19,635
6	28,274
7	38,485
8	50,265
10	78,540
12	113,100
14	153,900
16	201,100
18	254,500
20	314,200
22	380,100
24	452,400

C.2 Formulae

C.2.1 Shear strength cross-sectional area (single section)

$$A_S = \frac{\pi}{4} d^2 \tag{C.1}$$

where d is the nominal shank diameter.

C.2.2 Double shear strength test load

$$\text{Load} = \frac{2A_s R_c}{1\,000} \text{ kN} \quad (\text{C.2})$$

where

R_c = 910 MPa for diameters ≤ 16 mm;

R_c = 860 MPa for diameters ≥ 18 mm.

NOTE Included to indicate reduction in mechanical properties due to size effect.

Bibliography

- [1] ISO 4288, *Geometrical Product Specifications (GPS) — Surface texture: Profile method — Rules and procedures for the assessment of surface texture*
- [2] ISO 6507-1, *Metallic materials — Vickers hardness test — Part 1: Test method*
- [3] ISO 6508-1, *Metallic materials — Rockwell hardness test — Part 1: Test method*
- [4] ISO 6892-1, *Metallic materials — Tensile testing — Part 1: Method of test at room temperature*
- [5] ISO 7961, *Aerospace — Bolts — Test methods*
- [6] ISO 7870-1, *Control charts — Part 1: General guidelines*
- [7] ISO 7870-2, *Control charts — Part 2: Shewhart control charts*
- [8] ISO 7870-3, *Control charts — Part 3: Acceptance control charts*
- [9] ISO 9001, *Quality management systems - Requirements*
- [10] ISO 9227, *Corrosion tests in artificial atmospheres — Salt spray tests*
- [11] ISO/TR 13425, *Guide for the selection of statistical methods in standardization and specification*
- [12] SAE AS 9100, *Quality Management Systems — Aerospace — Requirements*

British Standards Institution (BSI)

BSI is the national body responsible for preparing British Standards and other standards-related publications, information and services.

BSI is incorporated by Royal Charter. British Standards and other standardization products are published by BSI Standards Limited.

About us

We bring together business, industry, government, consumers, innovators and others to shape their combined experience and expertise into standards-based solutions.

The knowledge embodied in our standards has been carefully assembled in a dependable format and refined through our open consultation process. Organizations of all sizes and across all sectors choose standards to help them achieve their goals.

Information on standards

We can provide you with the knowledge that your organization needs to succeed. Find out more about British Standards by visiting our website at bsigroup.com/standards or contacting our Customer Services team or Knowledge Centre.

Buying standards

You can buy and download PDF versions of BSI publications, including British and adopted European and international standards, through our website at bsigroup.com/shop, where hard copies can also be purchased.

If you need international and foreign standards from other Standards Development Organizations, hard copies can be ordered from our Customer Services team.

Subscriptions

Our range of subscription services are designed to make using standards easier for you. For further information on our subscription products go to bsigroup.com/subscriptions.

With **British Standards Online (BSOL)** you'll have instant access to over 55,000 British and adopted European and international standards from your desktop. It's available 24/7 and is refreshed daily so you'll always be up to date.

You can keep in touch with standards developments and receive substantial discounts on the purchase price of standards, both in single copy and subscription format, by becoming a **BSI Subscribing Member**.

PLUS is an updating service exclusive to BSI Subscribing Members. You will automatically receive the latest hard copy of your standards when they're revised or replaced.

To find out more about becoming a BSI Subscribing Member and the benefits of membership, please visit bsigroup.com/shop.

With a **Multi-User Network Licence (MUNL)** you are able to host standards publications on your intranet. Licences can cover as few or as many users as you wish. With updates supplied as soon as they're available, you can be sure your documentation is current. For further information, email bsmusales@bsigroup.com.

Revisions

Our British Standards and other publications are updated by amendment or revision.

We continually improve the quality of our products and services to benefit your business. If you find an inaccuracy or ambiguity within a British Standard or other BSI publication please inform the Knowledge Centre.

Copyright

All the data, software and documentation set out in all British Standards and other BSI publications are the property of and copyrighted by BSI, or some person or entity that owns copyright in the information used (such as the international standardization bodies) and has formally licensed such information to BSI for commercial publication and use. Except as permitted under the Copyright, Designs and Patents Act 1988 no extract may be reproduced, stored in a retrieval system or transmitted in any form or by any means – electronic, photocopying, recording or otherwise – without prior written permission from BSI. Details and advice can be obtained from the Copyright & Licensing Department.

Useful Contacts:

Customer Services

Tel: +44 845 086 9001

Email (orders): orders@bsigroup.com

Email (enquiries): cservices@bsigroup.com

Subscriptions

Tel: +44 845 086 9001

Email: subscriptions@bsigroup.com

Knowledge Centre

Tel: +44 20 8996 7004

Email: knowledgecentre@bsigroup.com

Copyright & Licensing

Tel: +44 20 8996 7070

Email: copyright@bsigroup.com

BSI Group Headquarters

389 Chiswick High Road London W4 4AL UK