

BS ISO 8854:2012



BSI Standards Publication

# Road vehicles — Alternators with regulators — Test methods and general requirements

**bsi.**

...making excellence a habit.™

**National foreword**

This British Standard is the UK implementation of ISO 8854:2012. It supersedes BS AU 232:1989 which is withdrawn.

The UK participation in its preparation was entrusted to Technical Committee AUE/16, Electrical and electronic equipment.

A list of organizations represented on this committee can be obtained on request to its secretary.

This publication does not purport to include all the necessary provisions of a contract. Users are responsible for its correct application.

© The British Standards Institution 2012. Published by BSI Standards Limited 2012

ISBN 978 0 580 68904 8

ICS 43.060.50

**Compliance with a British Standard cannot confer immunity from legal obligations.**

This British Standard was published under the authority of the Standards Policy and Strategy Committee on 30 June 2012.

**Amendments issued since publication**

Date	Text affected
------	---------------

---

# INTERNATIONAL STANDARD

BS ISO 8854:2012

**ISO**  
**8854**

Second edition  
2012-06-01

---

---

## **Road vehicles — Alternators with regulators — Test methods and general requirements**

*Véhicules routiers — Alternateurs avec régulateurs — Méthodes d'essai  
et conditions générales*



Reference number  
ISO 8854:2012(E)

© ISO 2012



**COPYRIGHT PROTECTED DOCUMENT**

© ISO 2012

All rights reserved. Unless otherwise specified, no part of this publication may be reproduced or utilized in any form or by any means, electronic or mechanical, including photocopying and microfilm, without permission in writing from either ISO at the address below or ISO's member body in the country of the requester.

ISO copyright office  
Case postale 56 • CH-1211 Geneva 20  
Tel. + 41 22 749 01 11  
Fax + 41 22 749 09 47  
E-mail [copyright@iso.org](mailto:copyright@iso.org)  
Web [www.iso.org](http://www.iso.org)

Published in Switzerland

<b>Contents</b>	<b>Page</b>
Foreword .....	iv
<b>1 Scope</b> .....	<b>1</b>
<b>2 Terms and definitions</b> .....	<b>1</b>
<b>3 Test conditions</b> .....	<b>2</b>
<b>3.1 Ambient temperature</b> .....	<b>2</b>
<b>3.2 Air pressure</b> .....	<b>2</b>
<b>3.3 Sense of rotation</b> .....	<b>2</b>
<b>3.4 Drive control</b> .....	<b>2</b>
<b>3.5 Load current control</b> .....	<b>2</b>
<b>3.6 Measuring accuracy</b> .....	<b>2</b>
<b>3.7 Measured values</b> .....	<b>3</b>
<b>4 Test equipment</b> .....	<b>3</b>
<b>4.1 Ambient air</b> .....	<b>3</b>
<b>4.2 Terminal connecting plan</b> .....	<b>3</b>
<b>4.3 Measuring system</b> .....	<b>4</b>
<b>5 Measurement procedure</b> .....	<b>5</b>
<b>5.1 Current/rotational frequency characteristic</b> .....	<b>5</b>
<b>5.2 Partial load measurement</b> .....	<b>6</b>
<b>5.3 Testing functional ability of regulator</b> .....	<b>6</b>
<b>5.4 Load dump</b> .....	<b>6</b>
<b>5.5 Voltage ripple</b> .....	<b>9</b>
<b>5.6 Efficiency determination</b> .....	<b>12</b>
<b>6 Method of calculation of efficiency</b> .....	<b>13</b>
<b>6.1 Determination of efficiency</b> .....	<b>13</b>
<b>6.2 Determination of weighted efficiency</b> .....	<b>13</b>
<b>7 Presentation of results</b> .....	<b>13</b>
<b>Bibliography</b> .....	<b>15</b>

## Foreword

ISO (the International Organization for Standardization) is a worldwide federation of national standards bodies (ISO member bodies). The work of preparing International Standards is normally carried out through ISO technical committees. Each member body interested in a subject for which a technical committee has been established has the right to be represented on that committee. International organizations, governmental and non-governmental, in liaison with ISO, also take part in the work. ISO collaborates closely with the International Electrotechnical Commission (IEC) on all matters of electrotechnical standardization.

International Standards are drafted in accordance with the rules given in the ISO/IEC Directives, Part 2.

The main task of technical committees is to prepare International Standards. Draft International Standards adopted by the technical committees are circulated to the member bodies for voting. Publication as an International Standard requires approval by at least 75 % of the member bodies casting a vote.

Attention is drawn to the possibility that some of the elements of this document may be the subject of patent rights. ISO shall not be held responsible for identifying any or all such patent rights.

ISO 8854 was prepared by Technical Committee ISO/TC 22, *Road vehicles*, Subcommittee SC 3, *Electrical and electronic equipment*.

This second edition cancels and replaces the first edition (ISO 8854:1988), which has been technically revised.

# Road vehicles — Alternators with regulators — Test methods and general requirements

## 1 Scope

This International Standard specifies test methods and general requirements for the determination of the electrical characteristic data of alternators for road vehicles.

It applies to alternators, cooled according to the supplier's instructions, mounted on internal combustion engines.

## 2 Terms and definitions

For the purposes of this document, the following terms and definitions apply.

### 2.1

#### alternator frequency

$n_G$

alternator rotational frequency in reciprocal minutes ( $\text{min}^{-1}$ )

### 2.2

#### cut-in speed

$n_A$

alternator rotational frequency, in reciprocal minutes ( $\text{min}^{-1}$ ), at which the alternator begins to supply current when speed is increased for the first time, depending on pre-exciting power (input), speed changing velocity, battery voltage, residual flux density of the rotor, and regulator characteristics

### 2.3

#### efficiency

$\eta$

alternator efficiency calculated from the measured values of voltage, current, speed and torque

### 2.4

#### minimum application speed

$n_L$

alternator rotational frequency, in reciprocal minutes ( $\text{min}^{-1}$ ), which corresponds approximately to the idling speed of the engine

### 2.5

#### minimum application current

$I_L$

current, in amperes, which is delivered by a warmed-up alternator at test voltage  $U_t$  and minimum application speed  $n_L$

### 2.6

#### rated current

$I_R$

minimum current, in amperes, which the warmed-up alternator shall supply at a speed  $n_R = 6\,000 \text{ min}^{-1}$  and at test voltage  $U_t$

NOTE The mean value minus twice the standard deviation should be stated unless the customer has requested otherwise.

### 2.7

#### rated speed

$n_R$

alternator rotational frequency, in reciprocal minutes ( $\text{min}^{-1}$ ), at which the alternator supplies its rated current,  $I_R$ , specifying the rated speed as  $n_R = 6\,000 \text{ min}^{-1}$

**2.8**  
**test voltage**

$U_t$   
specified value, in volts, at which the current measurements shall be carried out

**2.9**  
**weighted efficiency**

$\eta_W$   
speed-evaluated mean value of efficiency at different alternator speeds

**2.10**  
**zero-amp. speed**

$n_0$   
alternator rotational frequency, in reciprocal minutes ( $\text{min}^{-1}$ ), at which the alternator reaches the specified test voltage,  $U_t$ , without any current output

NOTE When plotted on a graph, this is the point at which the current/speed characteristic  $I = f(n)$  intersects the abscissa.

### **3 Test conditions**

#### **3.1 Ambient temperature**

Tests shall be carried out at an ambient temperature of  $T_{\text{amb}} = (23 \pm 5) ^\circ\text{C}$  and may optionally also be performed at higher temperatures.

#### **3.2 Air pressure**

Tests shall be carried out at the standard atmospheric pressure.

Deviating conditions (e.g. measuring location, altitude, weather) shall be recorded.

#### **3.3 Sense of rotation**

Sense of alternator rotation shall be in accordance with the supplier's specification.

#### **3.4 Drive control**

The drive control shall meet the set alternator frequency values with a limit deviation of  $(n_{G \text{ set}} \pm 5) \text{ min}^{-1}$ .

#### **3.5 Load current control**

The load current control shall meet the requested set current values with a limit deviation of  $(I_{\text{Set}} \pm 1,0) \text{ A}$ .

#### **3.6 Measuring accuracy**

The test equipment shall allow measurements of all parameters to be carried out within the limit deviations specified in Table 1.



Table 1 — Accuracy of test equipment

Parameters	Limit deviation
Voltage	$\pm 0,1$ % of measured value
Current	$\pm 0,2$ % of measured value
Torque	$\pm 0,5$ % of rated value of torque sensors
Rotational frequency	$\pm 2 \text{ min}^{-1}$
Ambient temperature	$\pm 1 \text{ K}$
Air pressure	$\pm 5 \text{ hPa}$
Test period	$\pm 1 \text{ s}$

### 3.7 Measured values

All measured values shall be obtained at the end of each holding time of an operating point.

Each data record shall comprise at least the following measured values:

- $n_{\text{G actual}}$  alternator rotational frequency (actual value = measured value);
- $I_{\text{G actual}}$  alternator current (actual value = measured value);
- $U_{\text{G}}$  alternator voltage;
- $M$  alternator torque, if needed;
- $T_{\text{amb}}$  ambient temperature;
- $t_{\text{M}}$  time of acquisition of measured values from start of testing.

## 4 Test equipment

### 4.1 Ambient air

#### 4.1.1 Flow rate

The input air flow within the alternator area shall be constant and reproducible. The maximum permissible flow rate shall be limited to 1 m/s.

#### 4.1.2 Direction of flow

The direction of the air flow within the alternator area shall be constant and reproducible. If possible, the air should flow from bottom to top.

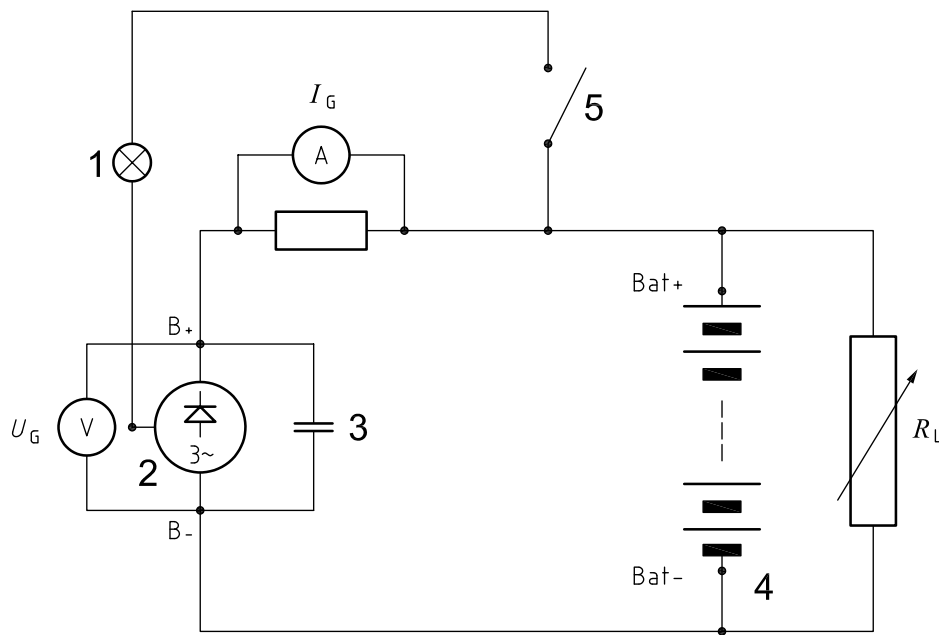
#### 4.1.3 Measurement of ambient temperature

The measuring point is located on the B side of the alternator (slip ring end, shield side) in line with the shaft and at a distance of  $(10 \pm 1)$  cm from the protective cap.

The spatial extent of the sensitive part of the temperature probe shall be limited to a cube with edges of 20 mm in length.

### 4.2 Terminal connecting plan

For the tests, connections shall be established according to Figure 1. During the tests, the ignition switch is “on”.



**Key**

- 1 load control lamp
- 2 D+ or L- lamp connection alternator
- 3 optional filter capacitor or test stand
- 4 battery/storage device
- 5 ignition lock, terminal 15
- $I_G$  alternator current
- $R_L$  load resistor
- $U_G$  alternator voltage

**Figure 1 — Test circuit schematic**

**4.2.1 Voltage measurement**

A voltmeter shall be connected directly to the output terminal(s) and/or alternator housing.

**4.2.2 Filter capacitor C (optional)**

A capacitor should be connected to the output terminals of the alternator. The connecting cable shall be as short as possible.

- Capacitor type: polarized electrolytic capacitor
- Capacity: 68 000  $\mu\text{F}$
- Connecting cable: cross-section of at least 4 mm<sup>2</sup>, maximum cable length (2 × 1) m, copper

**4.3 Measuring system**

The measuring system shall record the parameters to be measured. Voltage, current, speed and torque shall be measured simultaneously. If parameters are recorded subsequently, there shall be no more than 1 s between the measurements of the first and last parameter.

## 5 Measurement procedure

### 5.1 Current/rotational frequency characteristic

This measurement shall be performed at full load. The alternator works at full load when the regulator duty cycle is 100 %, i.e. when the full excitation current is available.

In the measuring circuit, a battery and an adjustable resistor,  $R_L$ , shunted to the battery shall be used (see Figure 1).

The tests shall be conducted using a power-storing device (e.g. lead-acid battery, Li-ion battery or large capacitors).

The measurements shall be carried out using an integral or separate regulator.

To prevent the regulator from working, measurements shall be made at the following test voltages (for lead-acid batteries):

- (13,5 ± 0,1) V for 12 V systems;
- (27 ± 0,2) V for 24 V systems.

NOTE Measurements at other voltages are optional.

#### 5.1.1 Warm tests — Rotational frequencies and measuring points

Current measurements shall be taken at the following rotational frequencies (in  $\text{min}^{-1}$ ). At each operating point, the alternator shall reach equilibrium steady-state temperature before current values are recorded.

In order to simplify the measuring set-up, this should be ensured by specifying a set holding time for each operating point:

1 500 – 1 800 – 2 000 – 2 500 – 3 000 – 3 500 – 4 000 – 5 000 – 6 000 – 8 000 – 10 000 – 12 000 –  $n_{\text{max}}$

The power adsorbed by the alternator shall be calculated at these measuring points.

The current/rotational frequency characteristic shall be indicated by the following four points:

a) Cut-in speed,  $n_A$

Increase the alternator rotational frequency slowly ( $50 \text{ min}^{-1}/\text{s}$  to  $100 \text{ min}^{-1}/\text{s}$ ) until the charge indicator system indicates the commencement of battery charging, and record this speed.

This applies only if the regulator does not affect the timing.

b) Zero-amp. speed,  $n_0$  (indirect measurement)

Reduce the alternator rotational frequency until an alternator output current between 5 % of  $I_R$  and 2 A, but not less than 2 A, is reached. Record the speed and current. To determine the zero-amp. speed, record a second speed/current point in the linear part of the characteristic, i.e. the zero-amp. speed shall be determined by extrapolation of the current/rotational frequency characteristic until the abscissa is intersected.

c) Minimum application current,  $I_L$

Adjust the alternator rotational frequency to the idling speed of the engine (typically  $n_L = 1\,800 \text{ min}^{-1}$ ) and record the alternator output current,  $I_L$ .

d) Rated current,  $I_R$

Adjust the alternator rotational frequency to  $n_R = 6\,000 \text{ min}^{-1}$  and record the alternator output current,  $I_R$ .

## 5.1.2 Short-form tests

### 5.1.2.1 Short-form warm test

The alternator shall be warmed up until it reaches thermal equilibrium at fixed speed time and ambient temperature,  $T_{amb}$ .

The voltage shall be constant and equal to the test voltage,  $U_t$ , during the warm-up and the measuring period.

The warm-up current measurements shall then be taken at least at the following rotational frequency values in reciprocal minutes ( $\text{min}^{-1}$ ):

$$1\ 500 - 1\ 800 - 2\ 000 - 3\ 000 - 4\ 000 - 6\ 000 - 8\ 000 - 10\ 000 - 12\ 000 - n_{max}$$

If desired, further intermediate values may be recorded and the zero-amp. speed may be determined.

The test time after warm-up shall not exceed 30 s, with constant variation of speed.

Warm-up time and speed shall be in accordance with the vehicle manufacturer's specification (typical values are 20 min to 45 min at 3 000  $\text{min}^{-1}$ , 5 000  $\text{min}^{-1}$  and 6 000  $\text{min}^{-1}$ ).

### 5.1.2.2 Short-form cold test

The whole alternator shall have an ambient temperature of  $(23 \pm 5)$  °C.

Current measurements shall be taken at ambient temperature  $T_{amb} = (23 \pm 5)$  °C at least at the following rotational frequency values in reciprocal minutes ( $\text{min}^{-1}$ ):

$$1\ 500 - 1\ 800 - 2\ 000 - 3\ 000 - 4\ 000 - 6\ 000 - 8\ 000 - 10\ 000 - 12\ 000 - n_{max}$$

If desired, further intermediate values may be recorded and the zero-amp. speed may be determined.

The test time shall not exceed 30 s with constant variation of speed.

## 5.2 Partial load measurement

During partial load tests, the current shall be kept constant by regulating the load  $R_L$ . The voltage shall be controlled by the regulator. The regulator duty cycle shall be less than 100 %.

## 5.3 Testing functional ability of regulator

The alternator shall be run at rated rotational frequency and rated current until the temperature of the regulator becomes stable. The load shall then be reduced slowly to 5 A and a check shall be made to ensure that the stabilized voltage does not rise above the alternator voltage specified by the supplier.

NOTE The regulator setting is specific to the vehicle manufacturer.

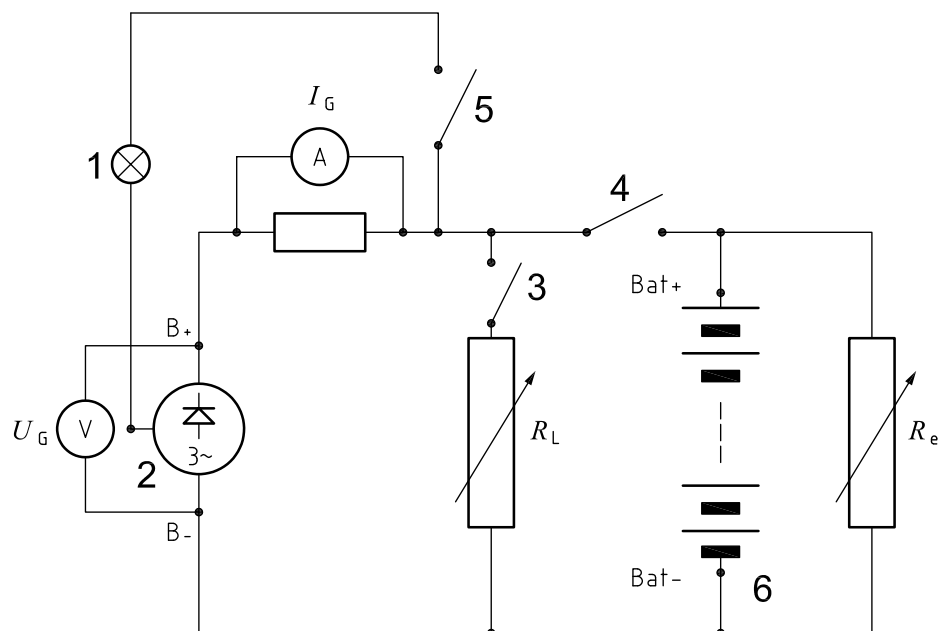
## 5.4 Load dump

A "load dump" is a voltage peak caused by the magnetic energy stored in the alternator and the dump of a load or an interruption of a cable. A critical load dump for the alternator and the system is a dump of a large load at high speed. The load dump time shall be measured as the time from the dump of a load until the regulator returns to the previous condition (see Figure 3). See also ISO 7637-2.

## 5.4.1 Measuring conditions

### 5.4.1.1 General

The measurement should be carried out with an oscilloscope or similar equipment. Terminals shall be connected directly to the alternator so that the wiring resistance is less than 10 mΩ. The regulator terminals shall be connected as specified in each case so that the alternator is working at full load. See Figure 2.



#### Key

- 1 load control lamp
- 2 D+ or L- lamp connection alternator
- 3 switch B
- 4 switch A
- 5 ignition lock, terminal 15
- 6 battery storage device
- $I_G$  alternator current
- $R_{el}$  electronically controlled load of test stand
- $R_L$  resistance load
- $U_G$  alternator voltage

Figure 2 — Example measuring harness — Load dump

### 5.4.1.2 Full load dump (to 0 A, interruption of cable)

Measuring conditions in the case of a full load dump (to 0 A, interruption of cable) shall be as follows:

- Alternator speed:  $n_G$  = speed, where the thermally stabilized current (see 5.1.1) reaches maximum
- Electric load: full load, thermally stabilized
- Ambient temperature:  $T_{amb} = (23 \pm 5) ^\circ\text{C}$
- Operating voltage:  $U_G = (13,5 \pm 0,1) \text{ V}$  (for other voltage systems, see 5.1)
- Load dump: to  $I_G = 0 \text{ A}$

### 5.4.1.3 Partial load dump (to a defined load)

Measuring conditions in the case of a partial load dump (to a defined load) shall be as follows:

- Alternator speed:  $n_G$  = speed, where the thermally stabilized current (see 5.1.1) reaches maximum
- Electric load: full load, thermally stabilized
- Ambient temperature:  $T_{amb} = (23 \pm 5) \text{ }^\circ\text{C}$
- Operating voltage:  $U_G = (13,5 \pm 0,1) \text{ V}$  (for other voltage systems, see 5.1)

NOTE The operating voltage is the voltage before the load dump.

- Load dump: from full load to  $R_L = U_G / I$  (e.g. 20 % of  $I_R$ )

In order to compare different alternators in the same output class, one common absolute value nearing 20 % of rated current ( $I_R$ ) should be used.

After the measurement, the alternator shall be fully operative.

## 5.4.2 Measuring sequence

### 5.4.2.1 Full load dump to 0 A

The measuring sequence in the case of a full load dump to 0 A shall be as follows:

- Switch B open.
- Switch A (opening time < 20 ms):

closed	open	closed	open	closed	open
until alternator is thermally stabilized	2 s to 3 s	> 10 s	2 s to 3 s	> 10 s	> 2 s

The cycles shall be in sequence.

### 5.4.2.2 Partial load dump to a defined load

The measuring sequence in the case of a partial load dump to a defined load shall be as follows:

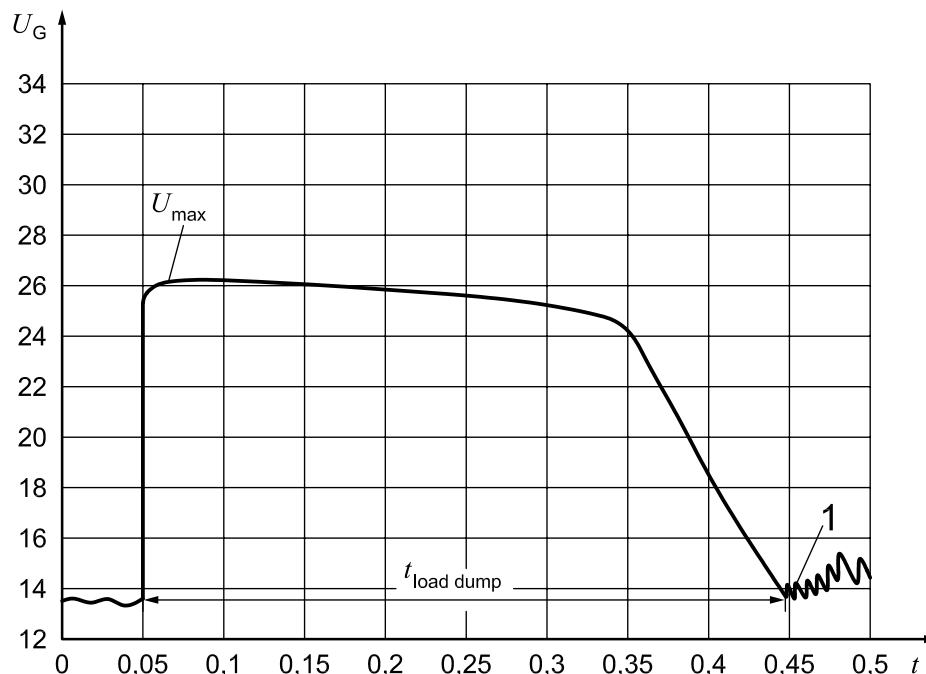
- Switch B closed,  $R_L$  adjusted to the corresponding value.
- Switch A (opening time < 20 ms):

closed	open	closed	open	closed	open
until alternator is thermally stabilized	2 s to 3 s	> 10 s	2 s to 3 s	> 10 s	> 2 s

The cycles shall be in sequence.

### 5.4.3 Results

The load dump voltage,  $U_{\max}$ , shall be taken as the maximum voltage measured in the three cycles shown in the tables above. The load dump time,  $t_{\text{load dump}}$ , shall be taken as the duration from the dump of a load until the regulator returns to the previous condition (see Figure 3). Both values shall be recorded. See also ISO 7637-2.



#### Key

1	regulator conditions without battery and load
$t$	time, in seconds
$t_{\text{load dump}}$	load dump time, in seconds
$U_G$	alternator voltage, in volts
$U_{\max}$	load dump voltage, in volts

Figure 3 — Example load dump voltage curve

### 5.5 Voltage ripple

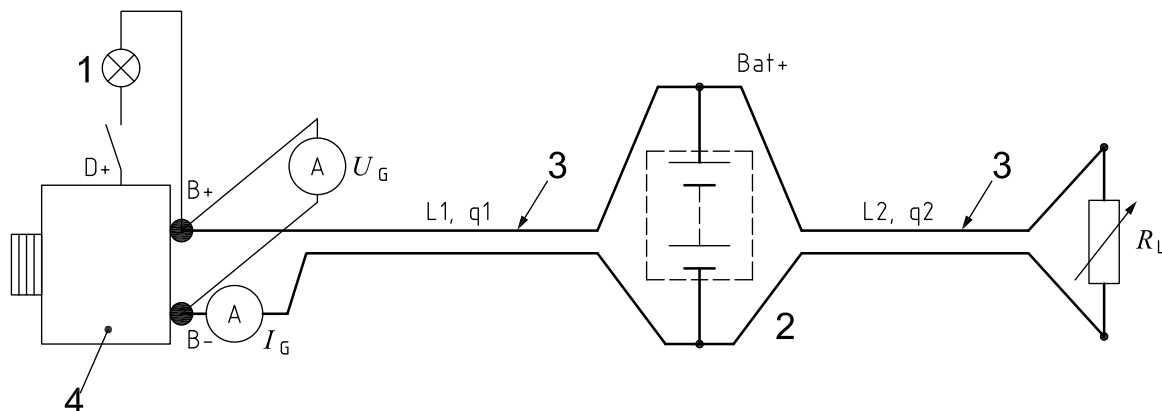
Voltage ripple is the alternating part (AC) of the voltage generated by the alternator.

The relevant data that shall be measured are the time of the basic ripple and the peaks caused by the commutation of the diodes.

During the measurement, the regulator shall be fully excited and shall not affect the result.

### 5.5.1 Measuring conditions

The regulator terminals shall be connected as specified in each case, so that the alternator is working at full load (see Figure 4).



#### Key

- 1 load control lamp
- 2 battery
- 3 wires
- 4 alternator
- $I_G$  alternator current
- $R_L$  resistance load
- $U_G$  alternator voltage

For L1, L2, q1 and q2, see Table 2.

Figure 4 — Measuring harness — Voltage ripple

Table 2 — Values for system harnesses

Harness	Inductivity of harness $\mu\text{H}$	Length L1 m	Cross-section q1 $\text{mm}^2$	Length L2 m	Cross-section q2 $\text{mm}^2$
<b>12 V system</b>					
short	$2,2 \pm 0,2$	2,0	25	1,5	50
long	$4,0 \pm 0,2$	4,0	50	1,5	50
<b>24 V system</b>					
short	$4,0 \pm 0,2$	4,0	50	1,5	50
long	$10,0 \pm 0,2$	13,5	50	1,5	50

The battery shall be new or as good as new and fully charged (state of charge: 100 %), as follows:

- 12 V system: 12 V, standard battery (e.g. 40 Ah);
- 24 V system: 24 V, standard battery (e.g. 150 Ah).

Other systems are optional.

Battery size should be recorded.



The B+ and B– cable shall be parallel and close together so that, with the battery and alternator disconnected and the load terminals connected, the inductivity of the harness is as shown in Table 2. The distance of the cables shall be adjusted until the required inductivity is reached.

The measurement of the current shall be carried out without changing the inductivity of the harness (e.g. with a current probe). The measurement device shall be connected to B–.

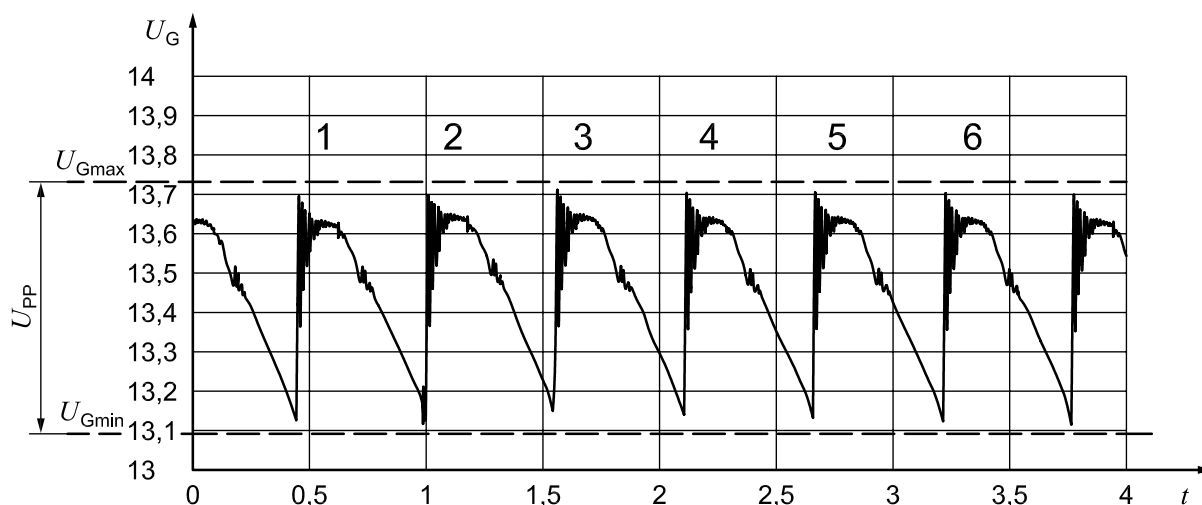
Measurement of the current shall be carried out under the following conditions:

- Resistance load: load with resistive and linear behaviour
- Temperature:  $T_{amb} = (23 \pm 5) \text{ }^\circ\text{C}$
- Operating voltage:  $U_G = (13,5 \pm 0,1) \text{ V}$  (for other voltage systems, see 5.1)

### 5.5.2 Measuring sequence

Measurement shall be carried out as follows:

- Alternator rotational frequency: 1 800 min<sup>-1</sup>; 3 000 min<sup>-1</sup>; 6 000 min<sup>-1</sup>; 9 000 min<sup>-1</sup>; 12,000 min<sup>-1</sup>; 15 000 min<sup>-1</sup> or  $n_{max}$ .
- The resistance load,  $R_L$ , shall be adjusted for each speed in order to keep the alternator at full load, i.e.  $U_G$  as defined in 5.1. The measuring shall be carried out after the alternator is thermally stabilized.
- The number of measured voltage ripples shall be as high as the number of pole pairs,  $p$  ( $p = 6; 8 \dots$ ).
- The measuring frequency shall be correlated to the speed in order to properly record the peak voltage.



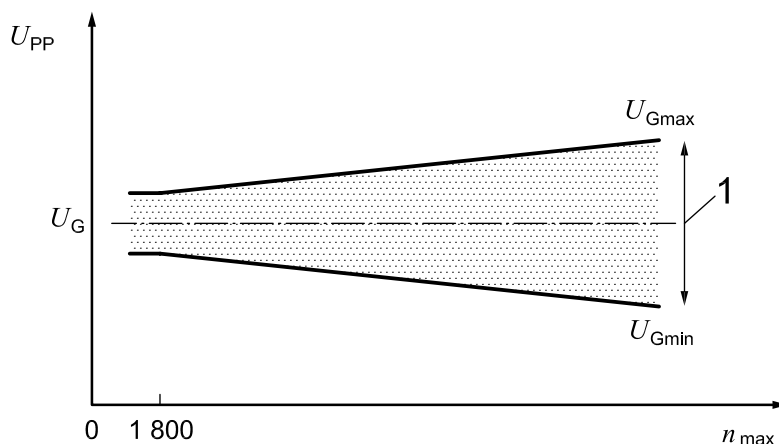
#### Key

- $t$  time, in milliseconds
- $U_G$  alternator voltage, in volts
- $U_{PP}$  peak to peak voltage

Figure 5 — Schematic display of voltage ripple ( $p = 6$ )

### 5.5.3 Results

A sensible display of the results is an envelope curve; see Figure 6.



**Key**

- 1 voltage ripple
- $n_{max}$  rotational frequency, in reciprocal minutes
- $U_G$  alternator voltage, in volts
- $U_{PP}$  peak to peak voltage

Figure 6 — Example of schematic display of measuring results

### 5.6 Efficiency determination

Testing comprises the measurement of parameters in Clause 3 at defined operating points as per Table 3. Operating points shall be set in the specified order and in immediate succession and shall be kept constant throughout their respective holding times.

Table 3 — Specifications for operating points

Operating point Step No.	Holding time $t_D$ s	Rotational frequency $n_G$ $\text{min}^{-1}$	Alternator current $I_G$ A
1	1 200	1 800	$I_R / 2$
2	1 200	3 000	$I_R / 2$
3	600	6 000	$I_R / 2$
4	300	10 000	$I_R / 2$

At each operating point, the alternator shall reach steady-state temperature. In order to simplify the measuring set-up, this should be ensured by specifying a set holding time for each operating point.

The alternator current is the same for all four operating points and shall be kept constant throughout the duration of the test.

Current intensity shall be defined as half the rated current,  $I_R$ .

The alternator should be driven without radial stress via a directly coupled torque measuring shaft.

If the alternator cannot deliver half the rated current ( $I_R / 2$  A) at  $1\,800\text{ min}^{-1}$ , the efficiency value at  $1\,800\text{ min}^{-1}$  should be measured at full load with a specified voltage, as specified in 5.1.

## 6 Method of calculation of efficiency

### 6.1 Determination of efficiency

For each operating point,  $i$ , the efficiency shall be calculated in accordance with Formula (1).

$$\eta_i = \frac{60 \times U_i \times I_i}{2\pi \times M_i \times n_i} \times 100 \quad (1)$$

where

$\eta_i$  is the efficiency at operating point  $i$ , as a percentage;

$U_i$  is the voltage at operating point  $i$ , in volts;

$I_i$  is the current at operating point  $i$ , in amperes;

$M_i$  is the torque at operating point  $i$ , in Newton-metres:

$n_i$  is the rotational frequency at operating point  $i$ , in reciprocal minutes.

### 6.2 Determination of weighted efficiency

Weighted efficiency shall be calculated in accordance with Formula (2).

$$\eta_w = \sum_{i=1}^4 \eta_i \times h_i \quad (2)$$

where:

$\eta_w$  is the weighted efficiency, as a percentage;

$\eta_i$  is the efficiency at operating point  $i$ , as a percentage;

$h_i$  is the frequency of operating points  $i$ , as per Table 4.

**Table 4 — Operating points**

Operating point $i$	Rotational frequency $\text{min}^{-1}$	Frequency $h_i$
1	1 800	$h_1$
2	3 000	$h_2$
3	6 000	$h_3$
4	10 000	$h_4$

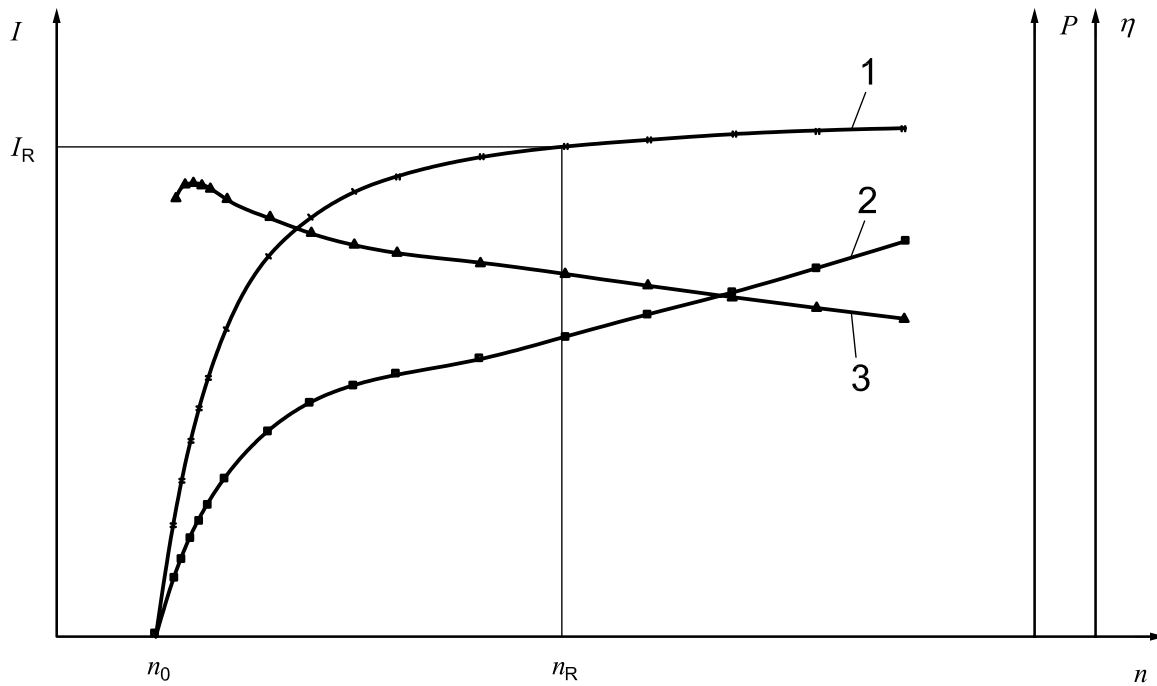
The frequency,  $h_i$ , shall be adjusted to the manufacturer's needs and regions.

Typically used frequencies for the European region are:  $h_1 = 0,25$ ;  $h_2 = 0,40$ ;  $h_3 = 0,25$ ;  $h_4 = 0,10$ .

## 7 Presentation of results

Measurements of current/rotational frequency and power absorption characteristics shall be presented in accordance with Figure 7.

The tests described in 5.1.1 and 5.1.2 will produce different characteristic curves and therefore different current values. The manufacturer shall indicate which test method shall be used.



**Key**

- 1 current
- 2 output power
- 3 efficiency
- $n$  alternator rotational frequency, in reciprocal minutes
- $n_0$  zero-amp. speed, in reciprocal minutes
- $n_R$  rated speed = 6 000 min<sup>-1</sup>
- $I$  current, in amperes
- $I_R$  rated current, in amperes
- $P$  output power, in kilowatts
- $\eta$  efficiency, as a percentage

**Figure 7 — Presentation of results**

## Bibliography

- [1] ISO 3745, *Acoustics — Determination of sound power levels and sound energy levels of noise sources using sound pressure — Precision methods for anechoic and hemi-anechoic rooms*
- [2] ISO 7637-2, *Road vehicles — Electrical disturbances by conduction and coupling — Part 2: Electrical transient conduction along supply lines only*
- [3] ISO 16750-2, *Road vehicles — Environmental conditions and testing for electrical and electronic equipment — Part 2: Electrical loads*





# British Standards Institution (BSI)

BSI is the national body responsible for preparing British Standards and other standards-related publications, information and services.

BSI is incorporated by Royal Charter. British Standards and other standardization products are published by BSI Standards Limited.

## About us

We bring together business, industry, government, consumers, innovators and others to shape their combined experience and expertise into standards-based solutions.

The knowledge embodied in our standards has been carefully assembled in a dependable format and refined through our open consultation process. Organizations of all sizes and across all sectors choose standards to help them achieve their goals.

## Information on standards

We can provide you with the knowledge that your organization needs to succeed. Find out more about British Standards by visiting our website at [bsigroup.com/standards](http://bsigroup.com/standards) or contacting our Customer Services team or Knowledge Centre.

## Buying standards

You can buy and download PDF versions of BSI publications, including British and adopted European and international standards, through our website at [bsigroup.com/shop](http://bsigroup.com/shop), where hard copies can also be purchased.

If you need international and foreign standards from other Standards Development Organizations, hard copies can be ordered from our Customer Services team.

## Subscriptions

Our range of subscription services are designed to make using standards easier for you. For further information on our subscription products go to [bsigroup.com/subscriptions](http://bsigroup.com/subscriptions).

With **British Standards Online (BSOL)** you'll have instant access to over 55,000 British and adopted European and international standards from your desktop. It's available 24/7 and is refreshed daily so you'll always be up to date.

You can keep in touch with standards developments and receive substantial discounts on the purchase price of standards, both in single copy and subscription format, by becoming a **BSI Subscribing Member**.

**PLUS** is an updating service exclusive to BSI Subscribing Members. You will automatically receive the latest hard copy of your standards when they're revised or replaced.

To find out more about becoming a BSI Subscribing Member and the benefits of membership, please visit [bsigroup.com/shop](http://bsigroup.com/shop).

With a **Multi-User Network Licence (MUNL)** you are able to host standards publications on your intranet. Licences can cover as few or as many users as you wish. With updates supplied as soon as they're available, you can be sure your documentation is current. For further information, email [bsmusales@bsigroup.com](mailto:bsmusales@bsigroup.com).

## BSI Group Headquarters

389 Chiswick High Road London W4 4AL UK

## Revisions

Our British Standards and other publications are updated by amendment or revision.

We continually improve the quality of our products and services to benefit your business. If you find an inaccuracy or ambiguity within a British Standard or other BSI publication please inform the Knowledge Centre.

## Copyright

All the data, software and documentation set out in all British Standards and other BSI publications are the property of and copyrighted by BSI, or some person or entity that owns copyright in the information used (such as the international standardization bodies) and has formally licensed such information to BSI for commercial publication and use. Except as permitted under the Copyright, Designs and Patents Act 1988 no extract may be reproduced, stored in a retrieval system or transmitted in any form or by any means – electronic, photocopying, recording or otherwise – without prior written permission from BSI. Details and advice can be obtained from the Copyright & Licensing Department.

## Useful Contacts:

### Customer Services

**Tel:** +44 845 086 9001

**Email (orders):** [orders@bsigroup.com](mailto:orders@bsigroup.com)

**Email (enquiries):** [cservices@bsigroup.com](mailto:cservices@bsigroup.com)

### Subscriptions

**Tel:** +44 845 086 9001

**Email:** [subscriptions@bsigroup.com](mailto:subscriptions@bsigroup.com)

### Knowledge Centre

**Tel:** +44 20 8996 7004

**Email:** [knowledgecentre@bsigroup.com](mailto:knowledgecentre@bsigroup.com)

### Copyright & Licensing

**Tel:** +44 20 8996 7070

**Email:** [copyright@bsigroup.com](mailto:copyright@bsigroup.com)



...making excellence a habit.™