



BSI Standards Publication

Road vehicles — Electrical disturbances from conduction and coupling

Part 3: Electrical transient transmission by capacitive and inductive coupling via lines other than supply lines

National foreword

This British Standard is the UK implementation of ISO 7637-3:2016. It supersedes BS ISO 7637-3:2007 which is withdrawn.

The UK participation in its preparation was entrusted to Technical Committee AUE/16, Data Communication (Road Vehicles).

A list of organizations represented on this committee can be obtained on request to its secretary.

This publication does not purport to include all the necessary provisions of a contract. Users are responsible for its correct application.

© The British Standards Institution 2016.
Published by BSI Standards Limited 2016

ISBN 978 0 580 78592 4

ICS 43.040.10

Compliance with a British Standard cannot confer immunity from legal obligations.

This British Standard was published under the authority of the Standards Policy and Strategy Committee on 31 July 2016.

Amendments/corrigenda issued since publication

Date	Text affected
------	---------------

**Road vehicles — Electrical
disturbances from conduction and
coupling —**

Part 3:
**Electrical transient transmission by
capacitive and inductive coupling via
lines other than supply lines**

*Véhicules routiers — Perturbations électriques par conduction et par
couplage —*

*Partie 3: Transmission des perturbations électriques par couplage
capacitif ou inductif le long des lignes autres que les lignes
d'alimentation*



COPYRIGHT PROTECTED DOCUMENT

© ISO 2016, Published in Switzerland

All rights reserved. Unless otherwise specified, no part of this publication may be reproduced or utilized otherwise in any form or by any means, electronic or mechanical, including photocopying, or posting on the internet or an intranet, without prior written permission. Permission can be requested from either ISO at the address below or ISO's member body in the country of the requester.

ISO copyright office
Ch. de Blandonnet 8 • CP 401
CH-1214 Vernier, Geneva, Switzerland
Tel. +41 22 749 01 11
Fax +41 22 749 09 47
copyright@iso.org
www.iso.org

Contents

	Page
Foreword	iv
Introduction	v
1 Scope	1
2 Normative references	1
3 Terms and definitions	1
4 Test methods	2
4.1 General.....	2
4.2 Standard test conditions.....	3
4.3 Ground plane.....	3
4.4 General test setup conditions.....	3
4.5 CCC method.....	3
4.5.1 General.....	3
4.5.2 Generator verification.....	3
4.5.3 Transient pulses level adjustment.....	4
4.5.4 DUT test.....	4
4.6 DCC method.....	5
4.6.1 General.....	5
4.6.2 Generator verification.....	6
4.6.3 Transient pulses level adjustment.....	6
4.6.4 DUT test.....	7
4.7 ICC method.....	11
4.7.1 General.....	11
4.7.2 Generator verification.....	11
4.7.3 Transient pulses level adjustment.....	11
4.7.4 DUT test.....	12
5 Test instrument description and specification	14
5.1 Power supply.....	14
5.2 Oscilloscope.....	15
5.3 Transient pulses generator.....	15
5.3.1 General.....	15
5.3.2 Slow transient pulses test 2a.....	15
5.3.3 Fast transient pulses 3a and 3b test.....	16
5.4 CCC fixture.....	18
5.5 DCC fixture.....	20
5.6 ICC fixture.....	20
Annex A (normative) Calibration fixture used for the ICC test method	21
Annex B (informative) Example of test severity levels associated with functional performance status classification	22
Annex C (informative) Estimation of the inductive coupling factor	24

Foreword

ISO (the International Organization for Standardization) is a worldwide federation of national standards bodies (ISO member bodies). The work of preparing International Standards is normally carried out through ISO technical committees. Each member body interested in a subject for which a technical committee has been established has the right to be represented on that committee. International organizations, governmental and non-governmental, in liaison with ISO, also take part in the work. ISO collaborates closely with the International Electrotechnical Commission (IEC) on all matters of electrotechnical standardization.

The procedures used to develop this document and those intended for its further maintenance are described in the ISO/IEC Directives, Part 1. In particular the different approval criteria needed for the different types of ISO documents should be noted. This document was drafted in accordance with the editorial rules of the ISO/IEC Directives, Part 2 (see www.iso.org/directives).

Attention is drawn to the possibility that some of the elements of this document may be the subject of patent rights. ISO shall not be held responsible for identifying any or all such patent rights. Details of any patent rights identified during the development of the document will be in the Introduction and/or on the ISO list of patent declarations received (see www.iso.org/patents).

Any trade name used in this document is information given for the convenience of users and does not constitute an endorsement.

For an explanation on the meaning of ISO specific terms and expressions related to conformity assessment, as well as information about ISO's adherence to the WTO principles in the Technical Barriers to Trade (TBT) see the following URL: [Foreword - Supplementary information](#).

The committee responsible for this document is ISO/TC 22, *Road vehicles*, Subcommittee SC 32, *Electrical and electronic components and general system aspects*.

This third edition cancels and replaces the second edition (ISO 7637-3:2007), which has been technically revised.

ISO 7637 consists of the following parts, under the general title *Road vehicles — Electrical disturbances from conduction and coupling*:

- *Part 1: Definitions and general considerations*
- *Part 2: Electrical transient conduction along supply lines only*
- *Part 3: Electrical transient transmission by capacitive and inductive coupling via lines other than supply lines*

The following parts are under preparation:

- *Part 4: Electrical transient conduction along shielded high voltage supply lines only*
- *Part 5: Enhanced definitions and verification methods for harmonization of pulse generators according to ISO 7637-2 [Technical Report]*

[Annex A](#) forms an integral part of this part of ISO 7637.

[Annex B](#) and [Annex C](#) are informative.

Introduction

The fast transient pulse test uses bursts composed of a number of fast transient pulses, which are coupled into lines (I/O lines in particular) of electronic equipment. The fast rise time, the repetition rate and the low energy of the fast transient bursts are significant to the test.

The slow transient pulse test applies a number of single pulses, as used for conducted transient pulse test, to the DUT.

Road vehicles — Electrical disturbances from conduction and coupling —

Part 3:

Electrical transient transmission by capacitive and inductive coupling via lines other than supply lines

1 Scope

This part of ISO 7637 defines bench test methods to evaluate the immunity of devices under test (DUTs) to transient pulses coupled to lines other than supply lines. The test pulses simulate both fast and slow transient disturbances caused by the switching of inductive loads and relay contact bounce.

The following three test methods are described in this part of ISO 7637:

- capacitive coupling clamp (CCC) method;
- direct capacitive coupling (DCC) method;
- inductive coupling clamp (ICC) method.

This part of ISO 7637 applies to road vehicles fitted with nominal 12 V or 24 V electrical systems.

For transient pulses immunity, [Annex B](#) provides recommended test severity levels in line with the functional performance status classification (FPSC) principle described in ISO 7637-1.

2 Normative references

The following documents, in whole or in part, are normatively referenced in this document and are indispensable for its application. For dated references, only the edition cited applies. For undated references, the latest edition of the referenced document (including any amendments) applies.

ISO 7637-1, *Road vehicles — Electrical disturbances from conduction and coupling — Part 1: Definitions and general considerations*

ISO 7637-2, *Road vehicles — Electrical disturbances from conduction and coupling — Part 2: Electrical transient conduction along supply lines only*

ISO 11452-4, *Road vehicles — Component test methods for electrical disturbances from narrowband radiated electromagnetic energy — Part 4: Harness excitation methods*

3 Terms and definitions

For the purposes of this document, the terms and definitions given in ISO 7637-1 apply.

4 Test methods

4.1 General

This Clause describes bench test methods for testing the immunity of electrical system components or devices under test (DUTs) against coupled transient pulses. These tests shall be performed in the laboratory.

The defined transient pulses represent the characteristics of most of the known transient pulses which may occur in the vehicle.

Some transient pulse tests may be omitted if a device, depending on its function or its configuration, is not subjected to comparable transient pulses in the vehicle. It is part of the vehicle manufacturer's responsibility to define the transient pulse tests needed for specific components.

A test plan shall be written to define the following:

- the test methods to be used;
- the transient pulses tests to be applied;
- the transient pulses levels;
- the number of transient pulses to be applied;
- the DUT operating modes;
- the wiring harness (test versus production);
- the leads to be included in the capacitive coupling clamp, if used;
- the leads to be tested using the direct coupling capacitor method, if used;
- the capacitance values to be used, if the direct coupling capacitor method is used for specific communication lines;
- the leads to be included in the inductive coupling clamp, if used; and
- the type of inductive coupling clamp, if the inductive coupling method is used.

Suggested transient pulse test severity levels for the evaluation of immunity of DUTs can be chosen from [Table B.1](#) and [Table B.2](#).

The transient pulse test severity levels should be mutually agreed upon between the vehicle manufacturer and the supplier prior to the test.

The applicability of the three different test methods is indicated in [Table 1](#).

It is sufficient to select one test method for slow transient pulses and one test method for fast transient pulses.

Table 1 — Test method applicability

Transient pulses type	CCC method	DCC method	ICC method
Slow transient pulses 2a (5.3.2)	Not applicable	Applicable	Applicable
Fast transient pulses 3a and 3b (5.3.3)	Applicable	Applicable	Not applicable

4.2 Standard test conditions

Standard test conditions shall be according to ISO 7637-1 for the following:

- test temperature;
- supply voltage.

Unless otherwise defined in this part of ISO 7637, the tolerance on test severity levels is $\begin{pmatrix} +10 \\ 0 \end{pmatrix}$ %.

4.3 Ground plane

The ground plane shall be made of 0,5 mm thick (minimum) copper, brass or galvanized steel.

Unless otherwise specified in the test plan, the minimum width of the ground plane shall be 1 000 mm, or underneath the entire setup width (excluding power supply and transient pulse generator) plus 200 mm, whichever is larger.

Unless otherwise specified in the test plan, the minimum length of the ground plane shall be 2 000 mm, or underneath the entire setup length (excluding power supply and transient pulse generator) plus 200 mm, whichever is larger.

4.4 General test setup conditions

The DUT is arranged and connected according to its requirements. The DUT should be connected to the original operating devices (loads, sensors, etc.) using the test setup described in [4.5.4](#), [4.6.4](#) and [4.7.4](#), unless otherwise agreed between the vehicle manufacturer and the supplier.

If the actual DUT operating signal sources are not available, they may be simulated.

The DUT shall be placed on a non-conductive, low relative permittivity material ($\epsilon_r \leq 1,4$), at (50 ± 5) mm above the ground plane. If the DUT is locally grounded (maximum length of 200 mm), then the DUT's ground supply line shall be connected to the ground plane as defined in the test plan.

Grounding of the DUT case to the ground plane shall reflect the vehicle installation and shall be defined in the test plan.

All harnesses shall be placed on a non-conductive, low relative permittivity (dielectric-constant) material ($\epsilon_r \leq 1,4$), at (50 ± 5) mm above the ground plane.

Unless otherwise specified in the test plan, all loads, sensors, etc. grounds (lines, metallic cases) are connected to the ground plane using the shortest possible length.

To minimize extraneous capacitive coupling to the DUT, it is advisable that the minimum distance between the DUT and all other conductive structures, such as walls of a shielded enclosure (with the exception of the ground plane underneath the test setup), should be more than 0,5 m.

4.5 CCC method

4.5.1 General

The CCC method is suitable for coupling the fast transient pulses, particularly for DUTs with a moderate or large number of leads to be tested. It will not couple the slow transient pulses.

4.5.2 Generator verification

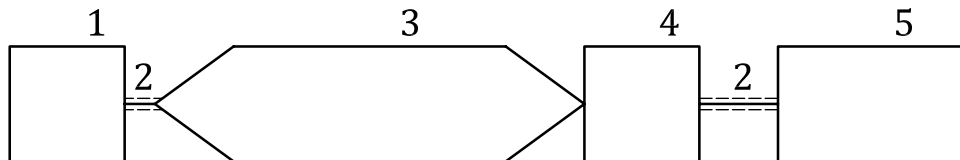
The transient pulse parameters (see [Figure 10](#) and [Figure 11](#)) shall be verified prior to the test according to ISO 7637-2. Verification shall be performed with the 50 Ω load condition only.

4.5.3 Transient pulses level adjustment

The transient pulse generator shall be connected as shown in [Figure 1](#).

The transient pulse level is adjusted with a 50 Ω input oscilloscope connected through a 50 Ω coaxial cable to a 50 Ω attenuator which is directly connected to the output of the CCC (no intermediate cable connections) as shown in [Figure 1](#). There shall be no lines routed through the coupling clamp during adjustment. Examples of test severity levels are listed in [Annex B](#).

NOTE The open circuit voltage of the transient pulses generator is approximately twice the value of the specific test voltage, due to 50 Ω loading of the attenuator and the oscilloscope.



Key

- 1 transient pulses generator
- 2 50 Ω coaxial cable (≤ 1 m)
- 3 CCC
- 4 50 Ω attenuator
- 5 oscilloscope (50 Ω input)

Figure 1 — Setup for transient pulses level adjustment — CCC method

4.5.4 DUT test

Ensure that the general test setup conditions defined in 4.4 are applied.

The test setup using the CCC is shown in [Figure 2](#). The coupling circuit consists of a CCC through which lines of the DUT are installed as agreed between the vehicle manufacturer and the supplier and documented in the test plan. The coupling length is 1 m.

The DUT 12/24 V supply lines (ground and supply) should not be included in the CCC. Any other ground or supply line delivered by the DUT to an auxiliary equipment (sensors, actuators) shall be included in the CCC. If the auxiliary equipment is locally grounded, this local ground connection shall be excluded from the CCC. Any exception about ground or supply lines included in the CCC shall be stated in the test plan.

All lines which are placed in the CCC shall lie flat in single layer (typically 10 to 20 lines). This may require multiple tests to be performed in order to test all the DUT lines.

The hinged lid of the CCC shall be placed as flat as possible to ensure contact with the test harness which should be positioned as flat as possible.

Twisted and shielded wire configurations shall be maintained inside the CCC.

The test conditions for a DUT with multiple connectors (single test on all the branches or test on individual branch) or for a harness with more than 10 to 20 lines shall be specified in the test plan.

The distance between the DUT and the CCC, and between peripheral devices and the CCC, shall be greater than or equal to 300 mm. The portions of the lines being tested which are outside the CCC shall be placed at a distance of (50 ± 5) mm above the ground plane and oriented at $90^\circ \pm 15^\circ$ to the longitudinal CCC axis.

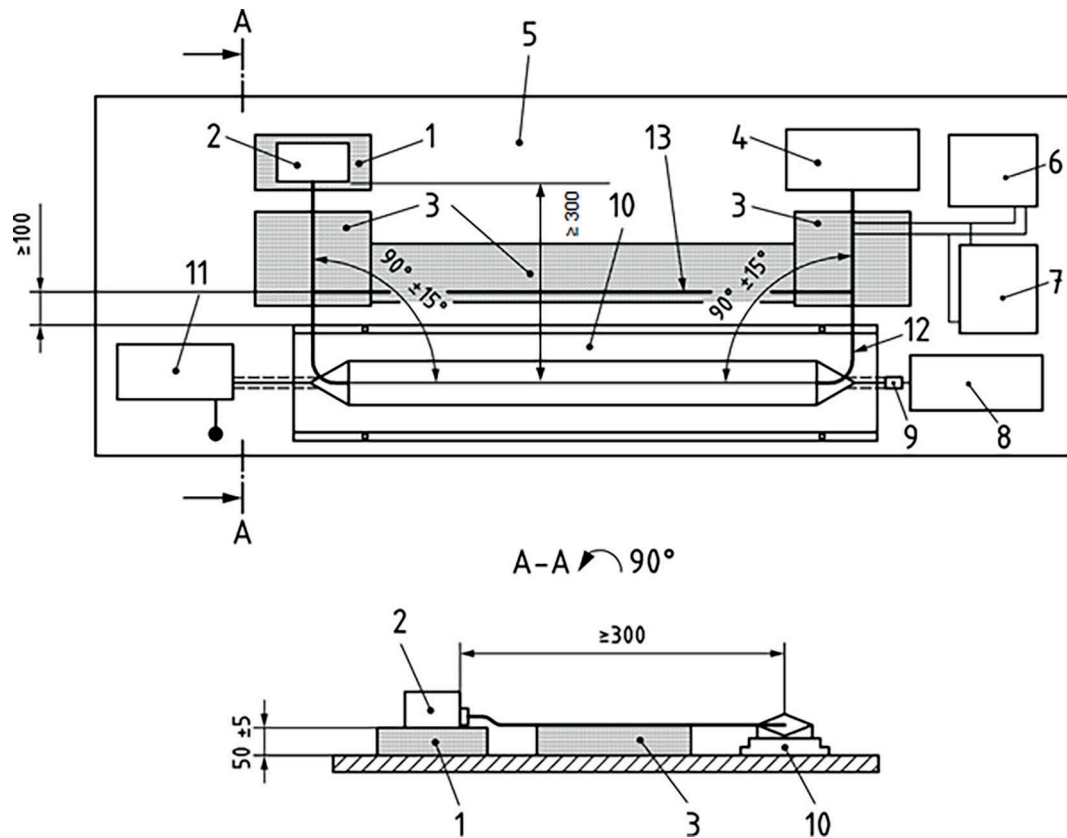
The lines which are not under CCC test are routed outside the coupling clamp. They shall be placed on a (50 ± 5) mm height insulating support and shall be placed at a minimum distance of 100 mm to the coupling clamp.

It is not necessary for lines which are not under the CCC to be placed in a straight line as illustrated in [Figure 2](#). Arrangement due to additional length should be defined in test plan.

The DUT shall be placed on the same end of the CCC as the transient pulses generator.

The test shall be performed with a total harness length of 1 700 mm (+300 mm/0 mm).

Dimensions in millimetres



Key

- | | | | |
|---|-------------------------------------------|----|----------------------------|
| 1 | insulation support | 8 | oscilloscope (50 Ω input) |
| 2 | DUT (grounding as specified in test plan) | 9 | 50 Ω attenuator |
| 3 | insulating supports for test harness | 10 | CCC |
| 4 | load simulator | 11 | transient pulses generator |
| 5 | ground plane | 12 | lines to be tested |
| 6 | power supply | 13 | lines not to be tested |
| 7 | battery | | |

Figure 2 — Test setup for CCC method — DUT Test

4.6 DCC method

4.6.1 General

The DCC method uses capacitors for transient coupling. The values of capacitors are defined in [Table 2](#) except for coupling to communication lines (e.g. CAN BUS) for which specific values shall be defined in the test plan.

Table 2 — Capacitor values for DCC test method

Test pulse	Capacitor value
Slow transient pulses	0,1 μ F
Fast transient pulses	100 pF

NOTE The characteristics of the non-polarized capacitors are defined as tolerance of $\pm 10\%$, rating of at least twice the maximum applied voltage, and dissipation factor less than or equal to 1 %.

4.6.2 Generator verification

The transient pulse parameters (see [Figure 8](#), [Figure 9](#), [Figure 10](#) and [Figure 11](#)) shall be verified (according to ISO 7637-2) prior to performing the test. Verification shall include measurement of open circuit and loaded conditions.

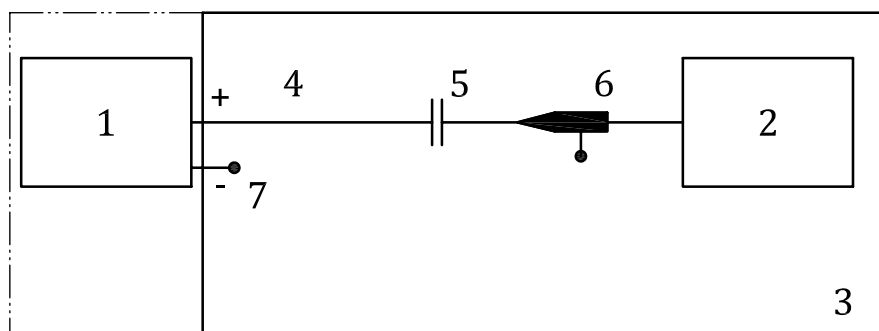
When verifying fast transient pulse characteristics under open circuit conditions, it is recommended to use a 1 k Ω to 50 Ω adapter, with an oscilloscope configured for 50 Ω input. This minimizes the oscillations that can result when measuring a transient pulse with significantly short transient pulse rise time and duration into an open-circuit condition.

4.6.3 Transient pulses level adjustment

Prior to testing, the transient pulse level shall be adjusted at the output of the capacitor. Examples of test severity levels are listed in [Annex B](#).

- For slow transient pulses, use the setup shown in [Figure 3a](#). The transient pulse level shall be measured using a high impedance passive probe whose characteristics conform with those defined in ISO 7637-2, 5.5.
- For fast transient pulses, use the setup shown in [Figure 3b](#). The output of the capacitor shall be connected to the 1 k Ω to 50 Ω adapter. The adaptor is connected to an oscilloscope configured for 50 Ω input. The measured peak pulse level is corrected for this adaptor. The capacitor shall be placed in a shielded box which shall be grounded. The 50 Ω coaxial cable shall be connected to this box.

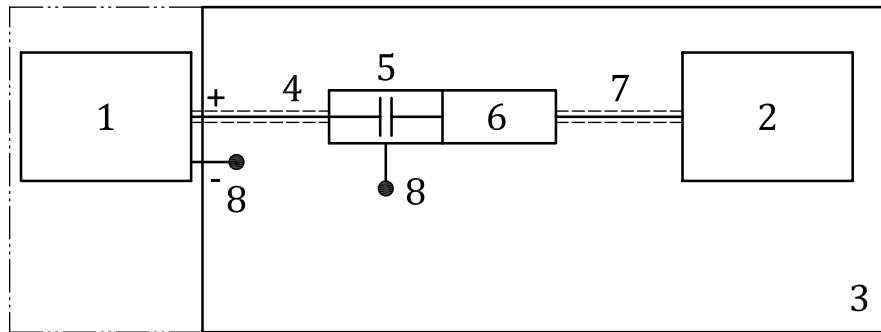
The generator ground shall be bonded to the ground plane with a DC resistance $\leq 2,5$ m Ω and a bond length of less than 100 mm.



Key

- 1 transient pulses generator
- 2 high impedance input oscilloscope
- 3 ground plane
- 4 connecting wiring
- 5 coupling capacitor
- 6 high impedance passive voltage probe (see ISO 7637-2)
- 7 ground connection (maximum length of 100 mm)

Figure 3a — Setup for slow transient pulses level adjustment — DCC method



Key

- 1 transient pulses generator
- 2 50 Ω impedance oscilloscope
- 3 ground plane
- 4 50 Ω coaxial cable (maximum length of 500 mm)
- 5 coupling capacitor
- 6 1 k Ω to 50 Ω adapter
- 7 50 Ω coaxial cable
- 8 ground connection (maximum length of 100 mm)

Figure 3b — Setup for fast transient pulses level adjustment — DCC method

4.6.4 DUT test

Ensure that the general test setup conditions defined in 4.4 are applied.

The DCC method is shown schematically in [Figure 4a](#) (for slow transient) and [Figure 4b](#) (for fast transient). The length of the harness shall be 1 700 mm (+300 mm/0 mm).

For fast transient test, the generator shall be connected to the capacitor using a 50 Ω coaxial cable with a length not greater than 500 mm.

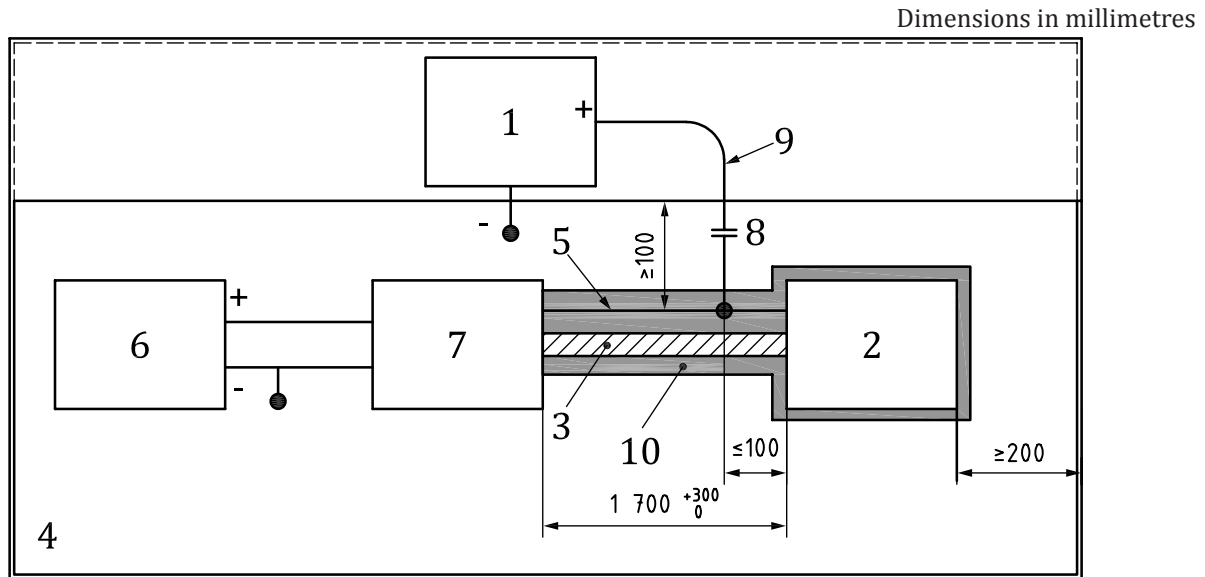
When using the DCC method, each DUT line is tested individually. However, when testing twisted and balanced symmetrical lines (e.g. bridge audio, CAN communications), the DCC method shall be modified to excite all lines identically at the same time (see [Figure 5a](#) for slow transient and [Figure 5b](#) for fast transient). Care shall be taken to ensure that intended DUT signals are not distorted by use of the DCC method.

For slow and fast transient pulses test, the lines/harness shall be placed on a non-conductive, low relative permittivity material ($\epsilon_r \leq 1,4$), at (50 ± 5) mm above the ground plane.

The distance between the I/O line injection point and the DUT shall be lower or equal to 100 mm.

For fast transient, the distance between the I/O line injection point and the capacitor shielded box shall be lower or equal to 100 mm.

The distance between the I/O line and the edge of the ground plane shall be greater or equal to 100 mm.

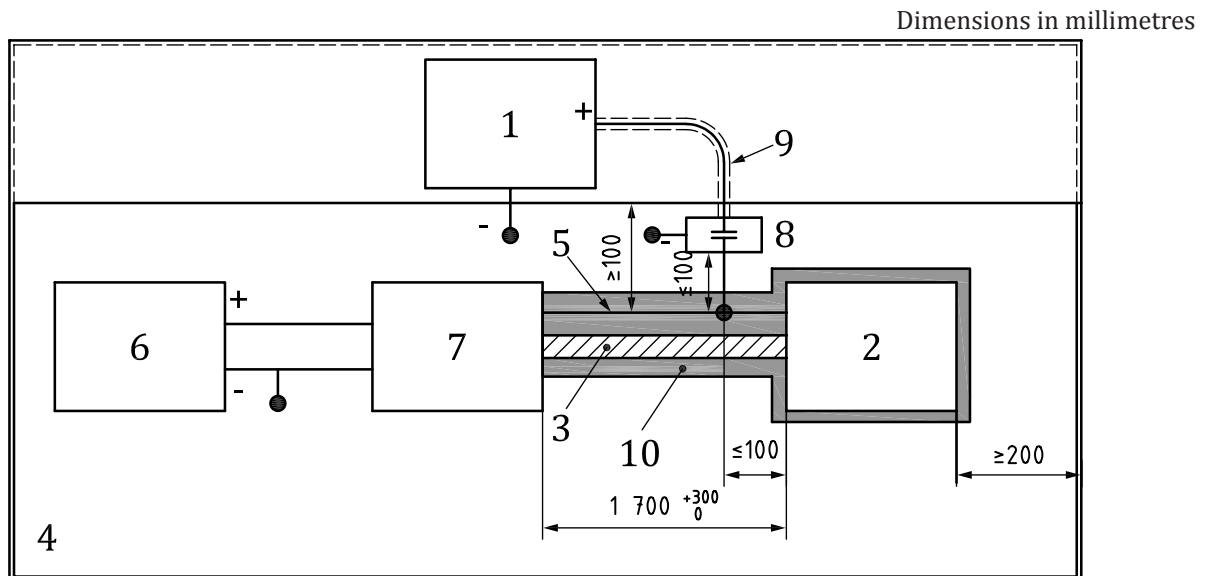


Key

- 1 transient pulses generator
- 2 DUT
- 3 wiring harness
- 4 ground plane
- 5 I/O line under test
- 6 power supply
- 7 load simulator
- 8 high-voltage non-polarized leaded capacitor (see [Table 2](#))
- 9 injection line
- 10 insulation support with low relative permittivity material ($\epsilon_r \leq 1,4$)

NOTE For the value of the capacitor, see [Table 3](#).

Figure 4a — Test setup for DCC method — Slow transients — DUT Test

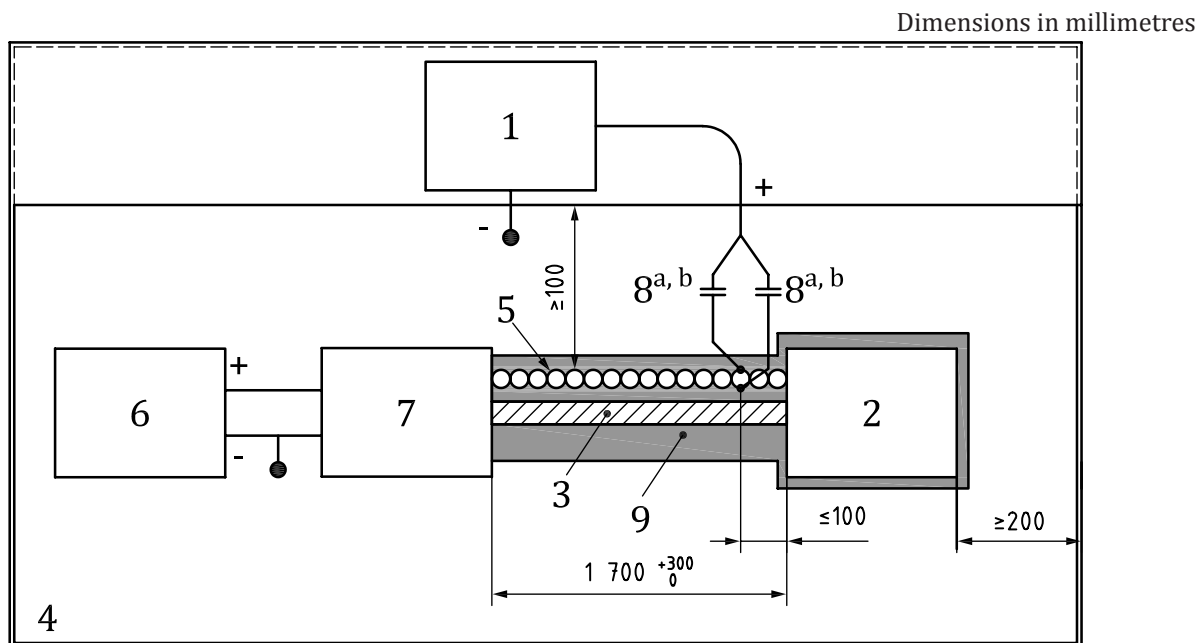


Key

- 1 transient pulses generator
- 2 DUT
- 3 wiring harness
- 4 ground plane
- 5 I/O line under test
- 6 power supply
- 7 load simulator
- 8 high-voltage non-polarized leaded capacitor (see [Table 2](#))
- 9 50 Ω coaxial cable (length not greater than 500 mm)
- 10 insulation support with low relative permittivity material ($\epsilon_r \leq 1,4$)

NOTE For the value of the capacitor, see [Table 3](#).

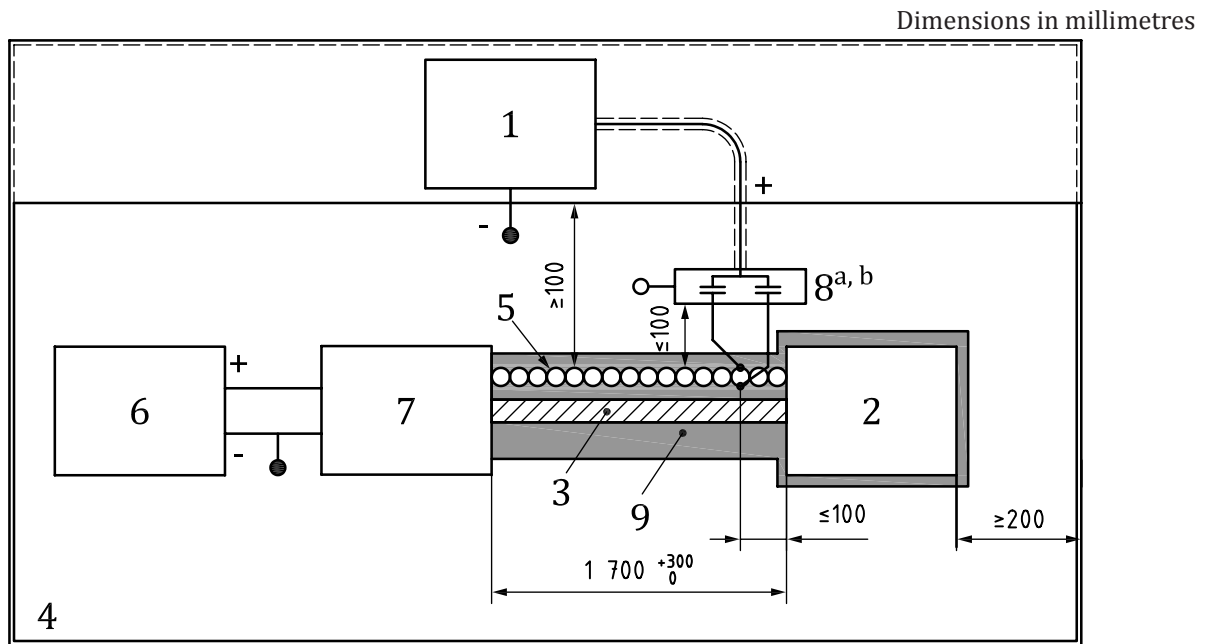
Figure 4b — Test setup for DCC method — Fast transients — DUT test



Key

- 1 transient pulses generator
- 2 DUT
- 3 wiring harness
- 4 ground plane
- 5 balanced symmetrical lines
- 6 power supply
- 7 load simulator
- 8 high-voltage non-polarized leaded capacitor (see [Table 2](#))
- 9 insulation support with low relative permittivity material ($\epsilon_r \leq 1,4$)
- a For slow transient pulses test, the recommended capacitor value is 470 pF.
- b The capacitor values are selected to ensure that the communication signals are not disturbed and that the transient pulses can still be coupled to these lines.

Figure 5a — Test setup for balanced symmetrical lines — Slow transients — DUT test



Key

- 1 transient pulses generator
 - 2 DUT
 - 3 wiring harness
 - 4 ground plane
 - 5 balanced symmetrical lines
 - 6 power supply
 - 7 load simulator
 - 8 high-voltage non-polarized leaded capacitor (see [Table 2](#))
 - 9 50 Ω coaxial cable (length not greater than 500 mm)
 - 10 insulation support with low relative permittivity material ($\epsilon_r \leq 1,4$)
- a For fast transient pulses test, the recommended capacitor value is 100 pF.
- b The capacitor values are selected to ensure that the communication signals are not disturbed and that the transient pulses can still be coupled to these lines.

Figure 5b — Test setup for balanced symmetrical lines — Fast transients — DUT test

4.7 ICC method

4.7.1 General

The ICC method is suitable for coupling the slow transient pulses, particularly for DUTs with a moderate or large number of lines to be tested.

4.7.2 Generator verification

The generator verification is not required because the transient pulse levels are adjusted as defined in [4.7.3](#).

4.7.3 Transient pulses level adjustment

The transient pulses, described in [Figure 8](#) and [Figure 9](#), when applied to the injection probe are measured with a high impedance oscilloscope according to the verification test setup defined in [Figure 6](#).

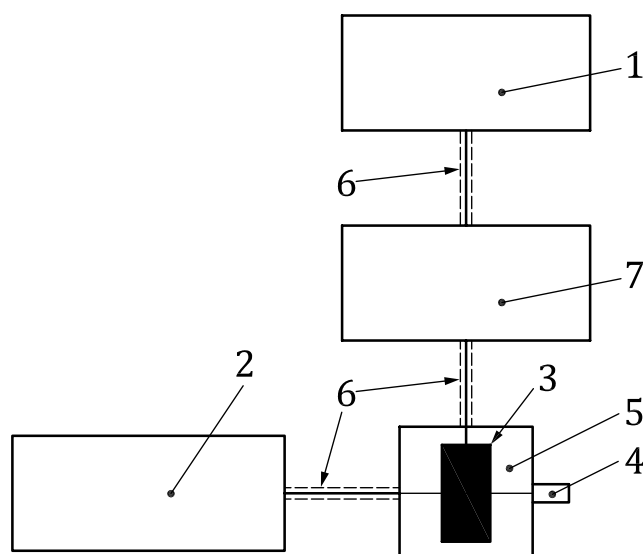
Using this configuration, the transient pulse timing characteristics shall fulfil the requirements listed in [Table 3](#).

An optional matching network may be necessary to achieve the pulse characteristics. Additionally, pulse generator settings like pulse amplitude and R_i may be changed to fulfil the requirements.

The generator output voltage shall be adjusted by using the calibration fixture described in [Figure 6](#). Examples of test severity levels are listed in [Annex B](#). Information on the process used for estimating the inductive coupling factor is described in [Annex C](#).

Table 3 — ICC — Characteristics of the coupled transient pulses

Parameters	12 V system	24 V system
t_d	$7 \mu s \pm 30 \%$	$7 \mu s \pm 30 \%$
t_r	$\leq 1,2 \mu s$	$\leq 1,2 \mu s$



Key

- 1 transient pulses generator
- 2 high impedance oscilloscope
- 3 ICC
- 4 short circuit
- 5 calibration fixture
- 6 50 Ω coaxial cable
- 7 matching network (optional)

Figure 6 — Setup for transient pulses level adjustment — ICC method

4.7.4 DUT test

Ensure that the general test setup conditions defined in 4.4 are applied.

The test method using the ICC is shown in [Figure 7](#). The coupling circuit consists of an ICC which enfolds all signal lines. The DUT 12/24 V power lines (ground and supply) should not be included in the ICC. Any other ground or supply line delivered by the DUT to an auxiliary equipment (sensors, actuators) shall be included in the ICC. If the auxiliary equipment is locally grounded, this local ground connection shall be excluded from the ICC. Any exception about ground or supply lines included in the ICC shall be stated in the test plan.

The test can be performed either as shown in [Figure 7](#) or with a straight harness as implemented in ISO 11452-4.

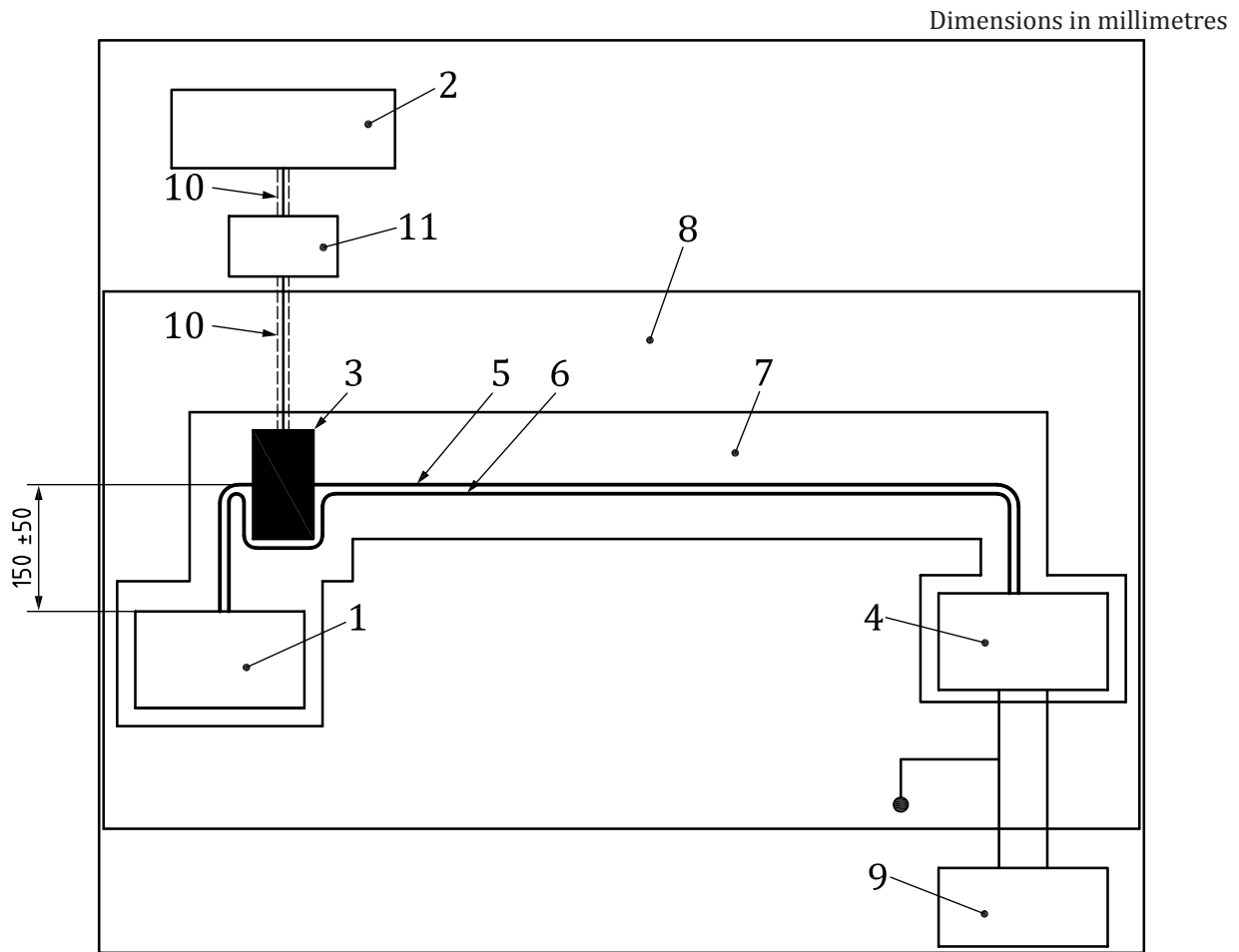
The test conditions for a DUT with multiple connectors (single test on all the branches or test on individual branch) shall be specified in the test plan.

The harness shall be placed on a non-conductive, low relative permittivity (dielectric-constant) material ($\epsilon_r \leq 1,4$), at (50 ± 5) mm above the ground plane.

The length of the harness shall be 1 700 mm (+300 mm/0 mm).

Centre of the ICC shall be placed (150 ± 50) mm from the connector of the DUT.

For the ICC method, negative transient pulse polarity may be achieved by reversing the injection probe on the wiring harnesses.



Key

- 1 DUT
- 2 transient pulses generator
- 3 ICC
- 4 load simulator
- 5 test harness (except DUT power lines)
- 6 DUT power lines
- 7 insulation support with low relative permittivity material ($\epsilon_r \leq 1,4$)
- 8 ground plane
- 9 power supply
- 10 50 Ω coaxial cable
- 11 matching network (optional)

Figure 7 — Test setup for ICC method — DUT test

5 Test instrument description and specification

5.1 Power supply

The power supply defined in ISO 7637-2 shall be used for these tests.

5.2 Oscilloscope

Unless otherwise specified, the oscilloscope and probes defined in ISO 7637-2 shall be used for these tests.

5.3 Transient pulses generator

5.3.1 General

The transient pulses generator of ISO 7637-2 shall be used and the wave shapes shall be verified according to ISO 7637-2.

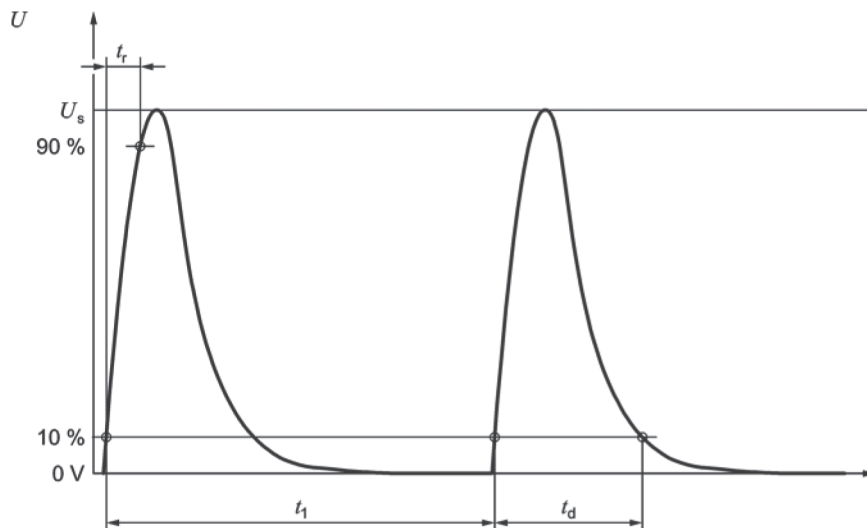
The test voltage U_A of ISO 7637-2 shall be set to 0 V.

5.3.2 Slow transient pulses test 2a

The slow transient pulses are a simulation of transient pulses which occur as a result of breaking the circuit to larger inductive loads, such as a radiator fan motor, air conditioning compressor clutch, etc.

The negative transient pulse may be realized by switching the generator output connection.

The transient pulse shapes and parameters are given in [Figure 8](#) and [Figure 9](#).



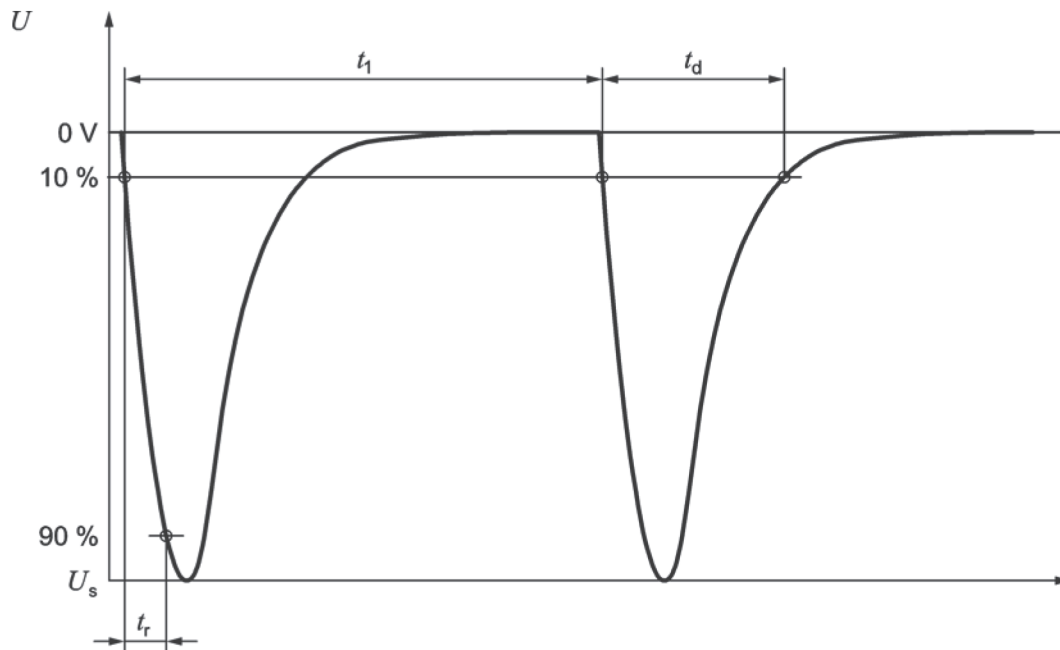
Key

t time
 U voltage, in volts

Figure 8 — Slow transient pulse — Positive 2a

Table 4 — Parameters for slow transient pulse — Positive 2a

Parameters	
U_s	To be defined in test plan
t_r	$(1 \frac{0}{-0,5})\mu\text{s}$
t_d	0,05 ms
t_1	0,2 s to 5 s
R_i	2 Ω



Key

t time

U voltage, in volts

NOTE Parameters are given in [Table 5](#).

Figure 9 — Slow transient pulse — Negative 2a

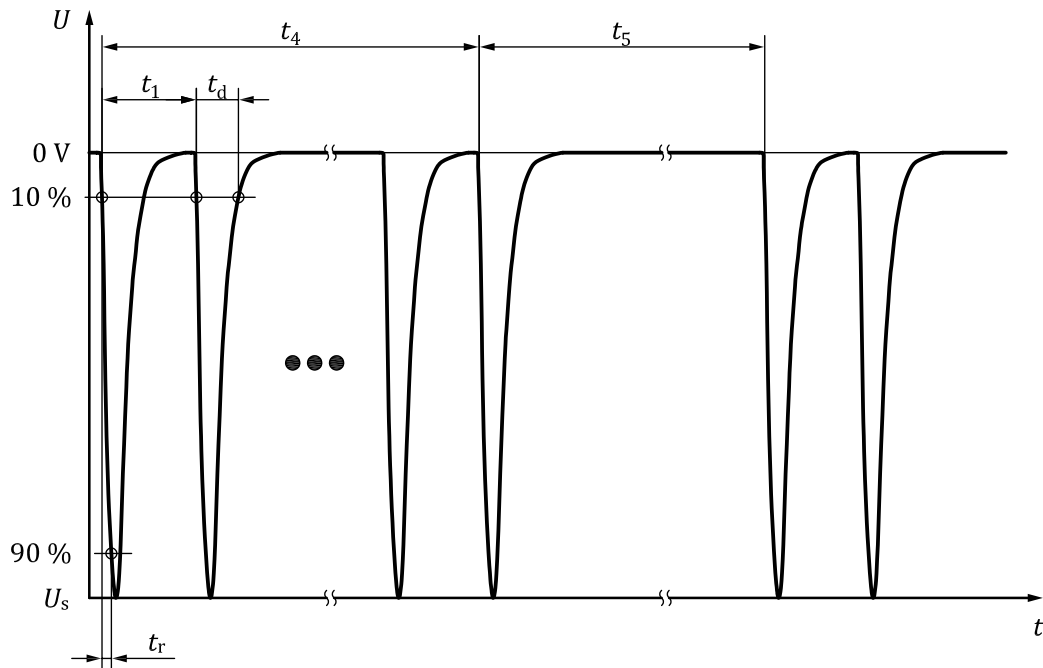
Table 5 — Parameters for slow transient pulse — Negative 2a

Parameters	
U_s	To be defined in test plan
t_r	$(1 \frac{0}{-0,5}) \mu s$
t_d	0,05 ms
t_1	0,2 s to 5 s
R_i	2 Ω

5.3.3 Fast transient pulses 3a and 3b test

The fast transient pulses tests are a simulation of transient pulses which occur as a result of the switching processes. The characteristics of these transient pulses are influenced by distributed capacitance and inductance of the wiring harness.

The transient pulse shapes and parameters are given in [Figure 10](#) and [Figure 11](#).



Key

t time

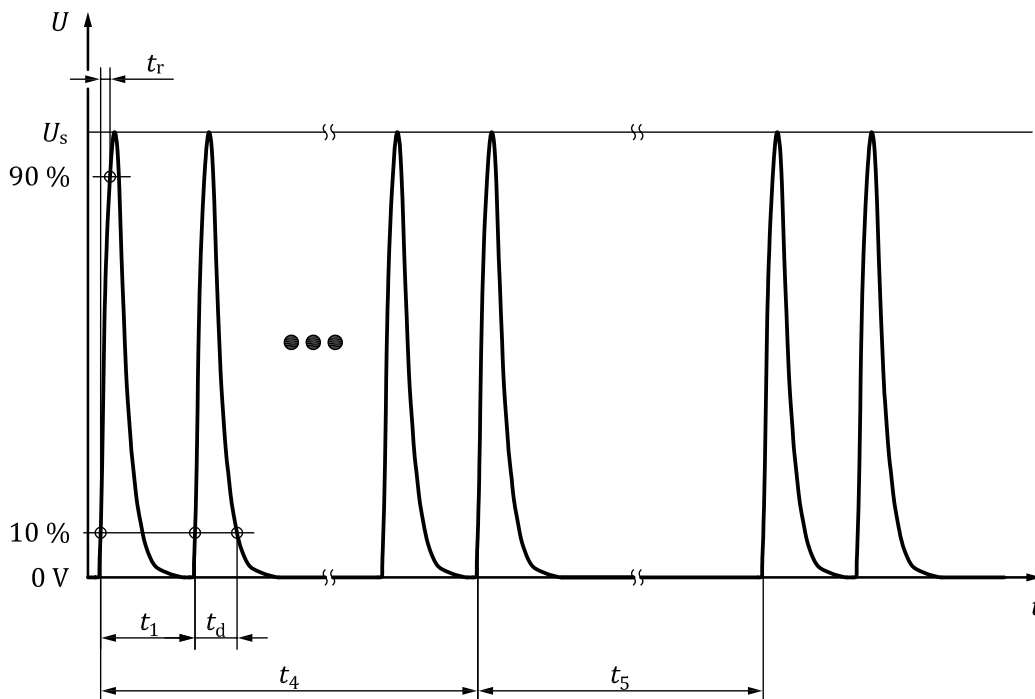
U voltage, in volts

NOTE Parameters are given in [Table 6](#).

Figure 10 — Fast transient pulse 3a

Table 6 — Parameters for fast transient pulse 3a

Parameters	12 V system	24 V system
U_s	See Table B.1	See Table B.2
t_r	$(5 \pm 1,5)$ ns	$(5 \pm 1,5)$ ns
t_d	$(0,15 \pm 0,045)$ μ s	$(0,15 \pm 0,045)$ μ s
t_1	100 μ s	100 μ s
t_4	10 ms	10 ms
t_5	90 ms	90 ms
R_i	50 Ω	50 Ω



Key

t time

U voltage, in volts

NOTE Parameters are given in [Table 7](#).

Figure 11 — Fast transient pulse 3b

Table 7 — Parameters for fast transient pulse 3b

Parameters	12 V system	24 V system
U_s	See Table B.1	See Table B.2
t_r	$(5 \pm 1,5)$ ns	$(5 \pm 1,5)$ ns
t_d	$(0,15 \pm 0,045)$ μ s	$(0,15 \pm 0,045)$ μ s
t_1	100 μ s	100 μ s
t_4	10 ms	10 ms
t_5	90 ms	90 ms
R_i	50 Ω	50 Ω

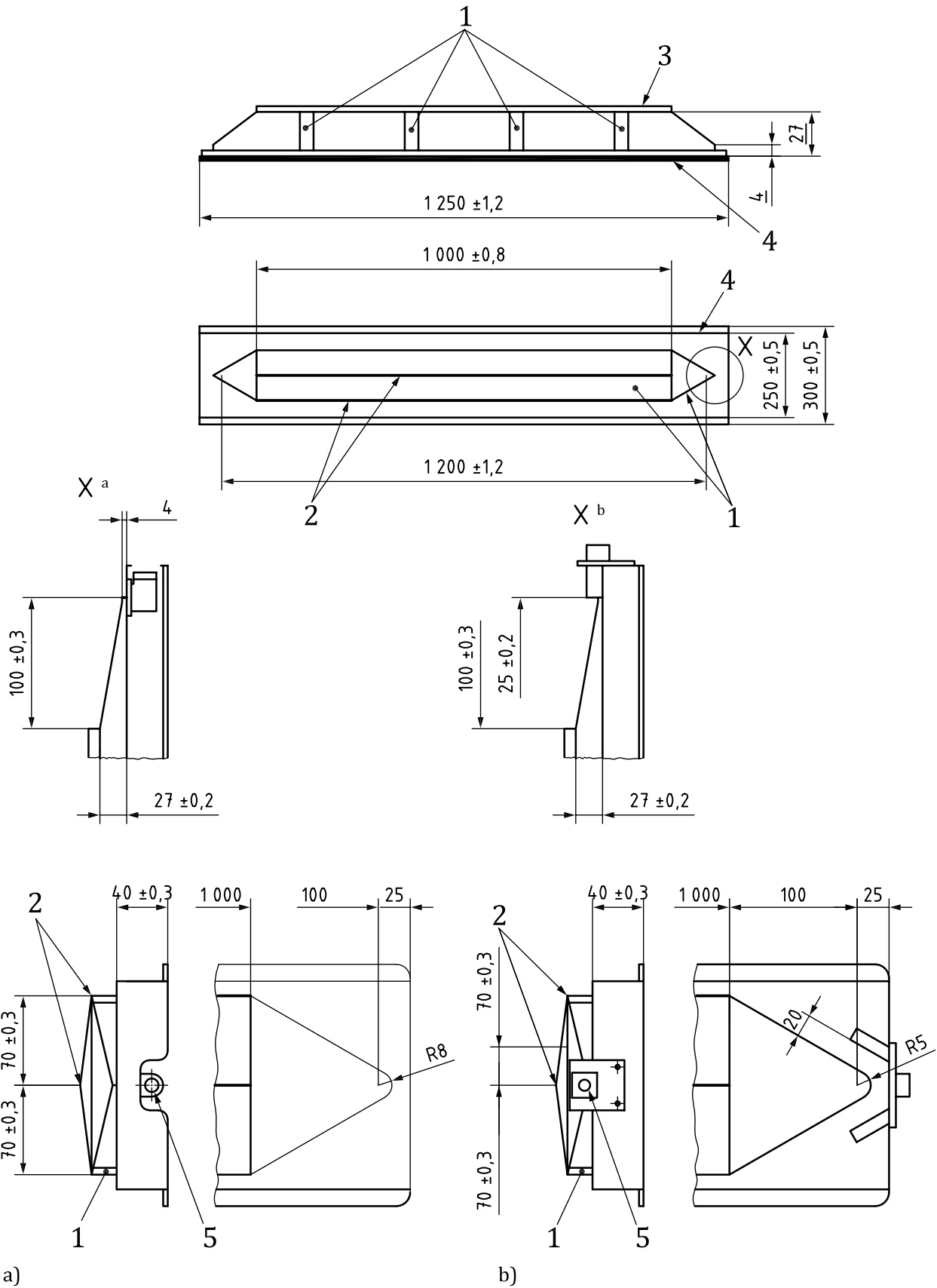
5.4 CCC fixture

The CCC, as defined in [Figure 12](#), can be made, for example, of brass, copper or galvanized steel.

The characteristics of the CCC are as follows:

- typical coupling capacitance between cable and clamp is approximately 100 pF;
- transient pulse voltage insulation strength: ≥ 200 V;
- characteristic impedance (without wires in the clamp): (50 ± 5) Ω .

Dimensions in millimetres



Key

- 1 insulating material
- 2 hinge
- 3 coupling plate

- 4 ground plane
- 5 coaxial connector

NOTE The input and output of CCC structure are selectable as shown in a) and b).

Figure 12 — Capacitive coupling clamp

5.5 DCC fixture

The DCC fixture is a non-polarized capacitor with characteristics defined in [Table 2](#).

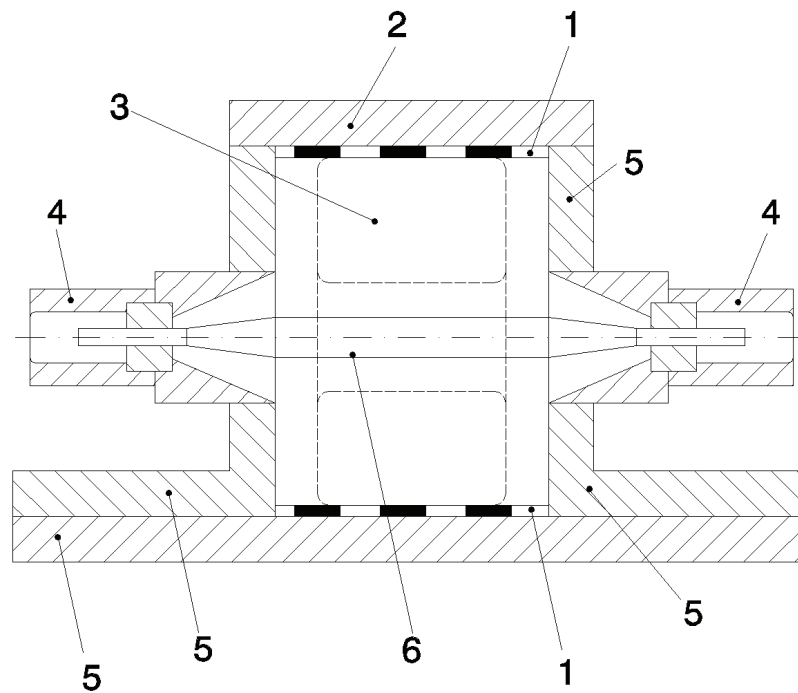
5.6 ICC fixture

The ICC is a bulk current injection (BCI) probe which is suitable for this test. It provides the means of coupling the transient pulses into the circuit under test without any galvanic connection to the DUT, wiring harness and/or auxiliary equipment.

Annex A (normative)

Calibration fixture used for the ICC test method

[Figure A.1](#) shows an example of a calibration fixture used for the ICC test method. The physical size of the calibration fixture shall be compatible with the injection probe to be calibrated.



Key

- 1 insulation
- 2 removable metal cover (test fixture outer conductor)
- 3 current injection probe
- 4 coaxial connector
- 5 test fixture outer conductor
- 6 test fixture inner conductor

Figure A.1 — Example of calibration fixture (jig)

Annex B (informative)

Example of test severity levels associated with functional performance status classification

B.1 General

This Annex provides examples of test severity levels which should be used in line with the principle of functional performance status classification (FPSC) described in ISO 7637-1.

B.2 Classification of transient pulses test severity level

The suggested minimum and maximum severity levels are given in columns I and IV of [Table B.1](#) and [Table B.2](#).

A test level and test time at or in between these values may be selected according to the agreement between vehicle manufacturer and supplier. In cases where no specific values are defined, it is recommended to use levels selected from columns I to IV in [Table B.1](#) and [Table B.2](#).

The recommended test severity levels for a 12 V electrical system are given in [Table B.1](#).

Table B.1 — Recommended test severity levels for a 12 V electrical system

Transient pulses test ^a	Selected test level ^b	Test levels U_s ^c				Test time min
		V				
		I min.	II	III	IV max.	
Fast 3a (DCC and CCC)		-30	-60	-80	-110	10
Fast 3b (DCC and CCC)		+18	+37	+60	+75	10
DCC slow +		+8	+15	+23	+30	5
DCC slow -		-8	-15	-23	-30	5
ICC slow +		+3	+4	+5	+6	5
ICC slow -		-3	-4	-5	-6	5

^a Transient pulses tests as in [5.3](#).

^b Values agreed to between vehicle manufacturer and supplier.

^c The amplitudes in the table are the values of U_s , as defined for each transient pulse in [5.3](#). U_s is referenced

- at the output of the CCC for the CCC method,
- at the output of the capacitor for the DCC method, and
- at the calibration jig output for ICC method.

The recommended test severity levels for a 24 V electrical system are given in [Table B.2](#).

Table B.2 — Recommended test severity levels for a 24 V electrical system

Transient pulses test ^a	Selected test level ^b	Test levels U_s^c				Test time min
		V				
		I min.	II	III	IV max.	
Fast 3a (DCC and CCC)		-37	-75	-110	-150	10
Fast 3b (DCC and CCC)		+37	+75	+110	+150	10
DCC slow +		+15	+25	+35	+45	5
DCC slow -		-15	-25	-35	-45	5
ICC slow +		+4	+6	+8	+10	5
ICC slow -		-4	-6	-8	-10	5

^a Transient pulses tests as in 5.3.

^b Values agreed to between vehicle manufacturer and supplier.

^c The amplitudes in the table are the values of U_s , as defined for each transient pulses in 5.3. U_s is referenced

- at the output of the CCC for the CCC method,
- at the output of the capacitor for the DCC method, and
- at the calibration jig output for ICC method.

B.3 Example of FPSC application using transient pulses test severity levels

An example of severity levels is given in [Table B.3](#). The values can vary depending on the kind of transient pulses and the type of electrical system, 12 V or 24 V (see levels from [Table B.1](#) to [Table B.2](#)).

Table B.3 — Example of FPSC application using transient pulses test severity levels

	Category 1	Category 2	Category 3
L_{4i}	Level II	Level III	Level IV
L_{3i}	Level II	Level III	Level III
L_{2i}	Level II	Level II	Level III
L_{1i}	Level I	Level I	Level II

Annex C (informative)

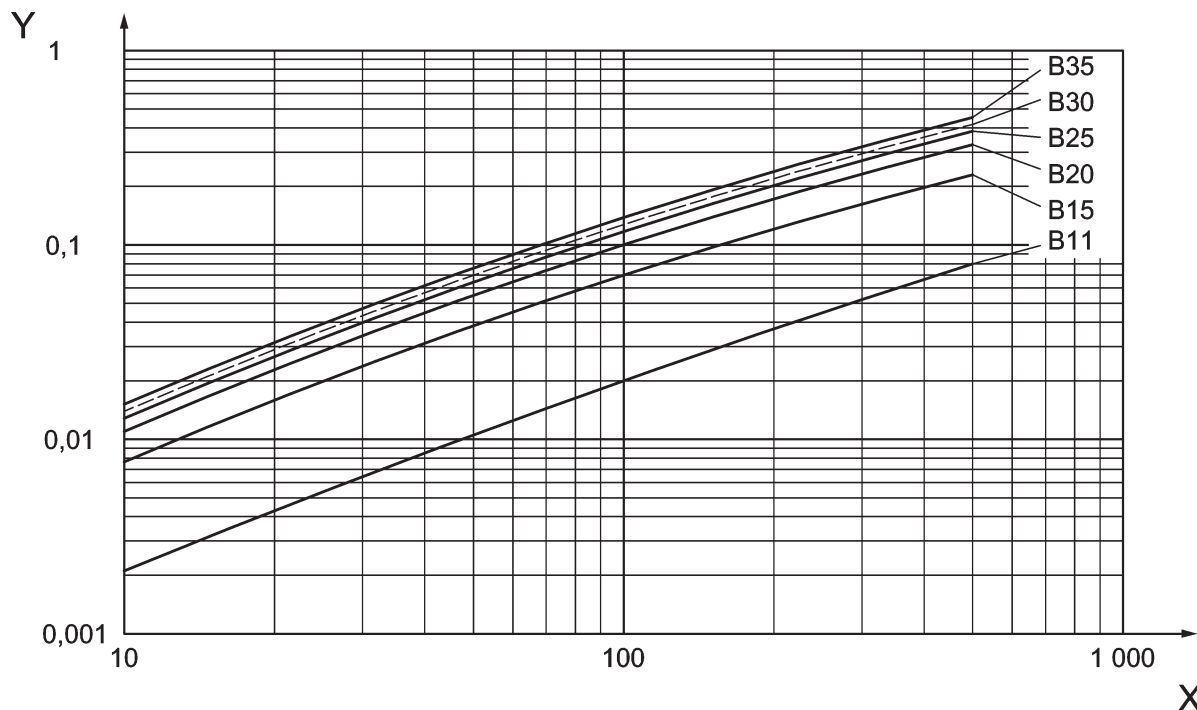
Estimation of the inductive coupling factor

The estimation of inductive coupling factor, k , requires the use of the wire harness classification in [Table C.1](#).

Table C.1 — Wire harness classification used in [Figure C.1](#)

Wire harness diameter, d mm	Set
$d \leq 11$	B11
$11 < d \leq 15$	B15
$15 < d \leq 20$	B20
$20 < d \leq 25$	B25
$25 < d \leq 30$	B30
$30 < d \leq 35$	B35

The common path of lines (possible coupling path on the vehicle) within a wire harness defines the coupling network. The coupling factor, k , depends on the parameter of the wire harness diameter (see [Figure C.1](#)).



Key

- X coupling network length, in centimetres
- Y inductive coupling factor, k

Figure C.1 — Dependence between the inductive coupling factor, k , the coupling network length and the diameter of the wire harness in the case of slow transient pulses test

The peak interference voltage (test voltage), U_{test} , is defined in [Formula \(C.1\)](#):

$$U_{\text{test}} = k \times U_{\text{switchoff}} \quad (\text{C.1})$$

where

k is the inductive coupling factor as shown in [Figure C.1](#);

$U_{\text{switchoff}}$ is the peak voltage produced by a switch-off event.

The peak interference voltage, U_{test} , can be used as an estimated test severity level needed for a special configuration. Using the procedure described in [4.5.3](#), the generator output voltage (open circuit voltage) can be derived from it.

British Standards Institution (BSI)

BSI is the national body responsible for preparing British Standards and other standards-related publications, information and services.

BSI is incorporated by Royal Charter. British Standards and other standardization products are published by BSI Standards Limited.

About us

We bring together business, industry, government, consumers, innovators and others to shape their combined experience and expertise into standards-based solutions.

The knowledge embodied in our standards has been carefully assembled in a dependable format and refined through our open consultation process. Organizations of all sizes and across all sectors choose standards to help them achieve their goals.

Information on standards

We can provide you with the knowledge that your organization needs to succeed. Find out more about British Standards by visiting our website at bsigroup.com/standards or contacting our Customer Services team or Knowledge Centre.

Buying standards

You can buy and download PDF versions of BSI publications, including British and adopted European and international standards, through our website at bsigroup.com/shop, where hard copies can also be purchased.

If you need international and foreign standards from other Standards Development Organizations, hard copies can be ordered from our Customer Services team.

Copyright in BSI publications

All the content in BSI publications, including British Standards, is the property of and copyrighted by BSI or some person or entity that owns copyright in the information used (such as the international standardization bodies) and has formally licensed such information to BSI for commercial publication and use.

Save for the provisions below, you may not transfer, share or disseminate any portion of the standard to any other person. You may not adapt, distribute, commercially exploit, or publicly display the standard or any portion thereof in any manner whatsoever without BSI's prior written consent.

Storing and using standards

Standards purchased in soft copy format:

- A British Standard purchased in soft copy format is licensed to a sole named user for personal or internal company use only.
- The standard may be stored on more than 1 device provided that it is accessible by the sole named user only and that only 1 copy is accessed at any one time.
- A single paper copy may be printed for personal or internal company use only.

Standards purchased in hard copy format:

- A British Standard purchased in hard copy format is for personal or internal company use only.
- It may not be further reproduced – in any format – to create an additional copy. This includes scanning of the document.

If you need more than 1 copy of the document, or if you wish to share the document on an internal network, you can save money by choosing a subscription product (see 'Subscriptions').

Reproducing extracts

For permission to reproduce content from BSI publications contact the BSI Copyright & Licensing team.

Subscriptions

Our range of subscription services are designed to make using standards easier for you. For further information on our subscription products go to bsigroup.com/subscriptions.

With **British Standards Online (BSOL)** you'll have instant access to over 55,000 British and adopted European and international standards from your desktop. It's available 24/7 and is refreshed daily so you'll always be up to date.

You can keep in touch with standards developments and receive substantial discounts on the purchase price of standards, both in single copy and subscription format, by becoming a **BSI Subscribing Member**.

PLUS is an updating service exclusive to BSI Subscribing Members. You will automatically receive the latest hard copy of your standards when they're revised or replaced.

To find out more about becoming a BSI Subscribing Member and the benefits of membership, please visit bsigroup.com/shop.

With a **Multi-User Network Licence (MUNL)** you are able to host standards publications on your intranet. Licences can cover as few or as many users as you wish. With updates supplied as soon as they're available, you can be sure your documentation is current. For further information, email subscriptions@bsigroup.com.

Revisions

Our British Standards and other publications are updated by amendment or revision.

We continually improve the quality of our products and services to benefit your business. If you find an inaccuracy or ambiguity within a British Standard or other BSI publication please inform the Knowledge Centre.

Useful Contacts

Customer Services

Tel: +44 345 086 9001

Email (orders): orders@bsigroup.com

Email (enquiries): cservices@bsigroup.com

Subscriptions

Tel: +44 345 086 9001

Email: subscriptions@bsigroup.com

Knowledge Centre

Tel: +44 20 8996 7004

Email: knowledgecentre@bsigroup.com

Copyright & Licensing

Tel: +44 20 8996 7070

Email: copyright@bsigroup.com

BSI Group Headquarters

389 Chiswick High Road London W4 4AL UK