



BSI Standards Publication

Mechanical vibration and shock — Experimental determination of mechanical mobility

Part 2: Measurements using single-point translation excitation with an attached vibration exciter

National foreword

This British Standard is the UK implementation of ISO 7626-2:2015. It supersedes BS 6897-2:1990 which is withdrawn.

The UK participation in its preparation was entrusted to Technical Committee GME/21/3, Mechanical vibration, shock and condition monitoring - Measurement and evaluation of mechanical vibration and shock in stationary structures.

A list of organizations represented on this committee can be obtained on request to its secretary.

This publication does not purport to include all the necessary provisions of a contract. Users are responsible for its correct application.

© The British Standards Institution 2015.
Published by BSI Standards Limited 2015

ISBN 978 0 580 83256 7
ICS 17.160

Compliance with a British Standard cannot confer immunity from legal obligations.

This British Standard was published under the authority of the Standards Policy and Strategy Committee on 31 May 2015.

Amendments/corrigenda issued since publication

Date	Text affected
------	---------------

**Mechanical vibration and shock —
Experimental determination of
mechanical mobility —**

Part 2:
**Measurements using single-point
translation excitation with an attached
vibration exciter**

*Vibrations et chocs — Détermination expérimentale de la mobilité
mécanique —*

*Partie 2: Mesurages avec utilisation d'une excitation de translation en
un seul point, au moyen d'un générateur de vibrations solidaire de ce
point*





COPYRIGHT PROTECTED DOCUMENT

© ISO 2015

All rights reserved. Unless otherwise specified, no part of this publication may be reproduced or utilized otherwise in any form or by any means, electronic or mechanical, including photocopying, or posting on the internet or an intranet, without prior written permission. Permission can be requested from either ISO at the address below or ISO's member body in the country of the requester.

ISO copyright office
Case postale 56 • CH-1211 Geneva 20
Tel. + 41 22 749 01 11
Fax + 41 22 749 09 47
E-mail copyright@iso.org
Web www.iso.org

Published in Switzerland

Contents

Page

Foreword	v
Introduction	vi
1 Scope	1
2 Normative references	1
3 Terms and definitions	1
4 Overall configuration of the measurement system	2
5 Support of the structure under test	3
5.1 General.....	3
5.2 Grounded measurements.....	3
5.3 Ungrounded measurements.....	3
6 Excitation	4
6.1 General.....	4
6.2 Excitation waveforms.....	4
6.2.1 General.....	4
6.2.2 Discretely dwelled sinusoidal excitation.....	4
6.2.3 Slowly swept sinusoidal excitation.....	5
6.2.4 Stationary random excitation.....	5
6.2.5 Other excitation waveforms.....	5
6.3 Vibration exciters.....	5
6.4 Avoidance of spurious forces and moments.....	8
6.4.1 General.....	8
6.4.2 Transducer mass loading.....	8
6.4.3 Transducer rotational inertia loading.....	8
6.4.4 Exciter attachment restraints.....	8
7 Measurement of the exciting force and resulting motion response	9
7.1 General.....	9
7.2 Attachment of transducers.....	9
7.3 Mass loading and mass cancellation.....	10
7.4 Signal amplifiers.....	10
7.5 Calibrations.....	11
7.5.1 General.....	11
7.5.2 Operational calibration.....	11
8 Processing of the transducer signals	14
8.1 Determination of the frequency-response function.....	14
8.1.1 General.....	14
8.1.2 Sinusoidal excitation.....	14
8.1.3 Random excitation.....	14
8.2 Filtering.....	14
8.2.1 Sinusoidal excitation.....	14
8.2.2 Random excitation.....	14
8.3 Avoidance of saturation.....	15
8.4 Frequency resolution.....	15
8.4.1 General.....	15
8.4.2 Sinusoidal excitation.....	15
8.4.3 Random excitation.....	15
8.4.4 Periodic excitation.....	15
9 Control of the excitation	16
9.1 General.....	16
9.2 Time required for sinusoidal excitation.....	16
9.2.1 General.....	16
9.2.2 Discretely dwelled sinusoidal excitation.....	16

9.2.3	Slowly swept sinusoidal excitation	17
9.3	Time required for random excitation	17
9.4	Dynamic range	18
9.4.1	General	18
9.4.2	Sinusoidal excitation	18
9.4.3	Random excitation	18
10	Tests for valid data	18
11	Modal parameter identification	19
Annex A (normative)	Tests for validity of measurement results	20
Annex B (normative)	Requirements for excitation frequency increments and duration	23
Annex C (informative)	Modal parameter identification	25
Bibliography		26

Foreword

ISO (the International Organization for Standardization) is a worldwide federation of national standards bodies (ISO member bodies). The work of preparing International Standards is normally carried out through ISO technical committees. Each member body interested in a subject for which a technical committee has been established has the right to be represented on that committee. International organizations, governmental and non-governmental, in liaison with ISO, also take part in the work. ISO collaborates closely with the International Electrotechnical Commission (IEC) on all matters of electrotechnical standardization.

The procedures used to develop this document and those intended for its further maintenance are described in the ISO/IEC Directives, Part 1. In particular the different approval criteria needed for the different types of ISO documents should be noted. This document was drafted in accordance with the editorial rules of the ISO/IEC Directives, Part 2 (see www.iso.org/directives).

Attention is drawn to the possibility that some of the elements of this document may be the subject of patent rights. ISO shall not be held responsible for identifying any or all such patent rights. Details of any patent rights identified during the development of the document will be in the Introduction and/or on the ISO list of patent declarations received (see www.iso.org/patents).

Any trade name used in this document is information given for the convenience of users and does not constitute an endorsement.

For an explanation on the meaning of ISO specific terms and expressions related to conformity assessment, as well as information about ISO's adherence to the WTO principles in the Technical Barriers to Trade (TBT), see the following URL: [Foreword — Supplementary information](#).

The committee responsible for this document is ISO/TC 108, *Mechanical vibration, shock and condition monitoring*.

This second edition cancels and replaces the first edition (ISO 7626-2:1990), which has been technically revised.

ISO 7626 consists of the following parts, under the general title *Mechanical vibration and shock — Experimental determination of mechanical mobility*:

- *Part 1: Basic terms and definitions, and transducer specifications*
- *Part 2: Measurements using single-point translational excitation with an attached vibration exciter*
- *Part 5: Measurements using impact excitation with an exciter which is not attached to the structure*

Introduction

General introduction to the ISO 7626- series on mobility measurement

Dynamic characteristics of structures can be determined as a function of frequency from mobility measurements or measurements of the related frequency-response functions, known as accelerance and dynamic compliance. Each of these frequency-response functions is the phasor of the motion response at a point on a structure due to a unit force (or moment) excitation. The magnitude and the phase of these functions are frequency-dependent.

Accelerance and dynamic compliance differ from mobility only in that the motion response is expressed in terms of acceleration and displacement, respectively, instead of in terms of velocity. In order to simplify the various parts of ISO 7626, only the term “mobility” is used. It is understood that all test procedures and requirements described are also applicable to the determination of accelerance and dynamic compliance.

Typical applications for mobility measurements are for:

- a) predicting the dynamic response of structures to known or assumed input excitation;
- b) determining the modal properties of a structure (natural frequencies, damping ratios and mode shapes);
- c) predicting the dynamic interaction of interconnected structures;
- d) checking the validity and improving the accuracy of mathematical models of structures;
- e) determining dynamic properties (i.e. the complex modulus of elasticity) of materials in pure or composite forms.

For some applications, a complete description of the dynamic characteristics can be required using measurements of translational forces and motions along three mutually perpendicular axes as well as measurements of moments and rotational motions about these three axes. This set of measurements results in a 6×6 mobility matrix for each location of interest. For N locations on a structure, the system thus has an overall mobility matrix of size $6N \times 6N$.

For most practical applications, it is not necessary to know the entire $6N \times 6N$ matrix. Often it is sufficient to measure the driving-point mobility and a few transfer mobilities by exciting with a force at a single point in a single direction and measuring the translational response motions at key points on the structure. In other applications, only rotational mobilities might be of interest.

Mechanical mobility is defined as the frequency-response function formed by the ratio of the phasor of the translational or rotational response velocity to the phasor of the applied force or moment excitation. If the response is measured with an accelerometer, conversion to velocity is required to obtain the mobility. Alternatively, the ratio of acceleration to force, known as accelerance, can be used to characterize a structure. In other cases, dynamic compliance, the ratio of displacement to force, can be used.

NOTE Historically, frequency-response functions of structures have often been expressed in terms of the reciprocal of one of the above-named dynamic characteristics. The arithmetic reciprocal of mechanical mobility has often been called mechanical impedance. It should be noted, however, that this is misleading because the arithmetic reciprocal of mobility does not, in general, represent any of the elements of the impedance matrix of a structure. Rather, conversion of mobility to impedance requires an inversion of the full mobility matrix. This point is elaborated upon in ISO 7626-1.

Mobility test data cannot be used directly as part of an impedance model of the structure. In order to achieve compatibility of the data and the model, the impedance matrix of the model is converted to mobility or vice versa (see ISO 7626-1 for limitations).

Introduction to this part of ISO 7626

For many applications of mechanical mobility data, it is sufficient to determine the driving-point mobility and a few transfer mobilities by exciting the structure at a single location in a single direction and measuring the translational response motions at key points on the structure. The translational excitation force can be applied either by vibration exciters attached to the structure under test or by devices that are not attached.

Categorization of excitation devices as “attached” or “unattached” has significance in terms of the ease of moving the excitation point to a new position. It is much easier, for example, to change the location of an impulse applied by an instrumented hammer than it is to relocate an attached vibration exciter to a new point on the structure. Both methods of excitation have applications to which they are best suited. This part of ISO 7626 deals with measurements using a single attached exciter; measurements made by impact excitation without the use of attached exciters are covered by ISO 7626-5.

Mechanical vibration and shock — Experimental determination of mechanical mobility —

Part 2: Measurements using single-point translation excitation with an attached vibration exciter

1 Scope

This part of ISO 7626 specifies procedures for measuring linear mechanical mobility and other frequency-response functions of structures, such as buildings, machines and vehicles, using a single-point translational vibration exciter attached to the structure under test for the duration of the measurement.

It is applicable to measurements of mobility, accelerance, or dynamic compliance, either as a driving-point measurement or as a transfer measurement. It also applies to the determination of the arithmetic reciprocals of those ratios, such as free effective mass. Although excitation is applied at a single point, there is no limit on the number of points at which simultaneous measurements of the motion response may be made. Multiple-response measurements are required, for example, for modal analyses.

2 Normative references

The following documents, in whole or in part, are normatively referenced in this document and are indispensable for its application. For dated references, only the edition cited applies. For undated references, the latest edition of the referenced document (including any amendments) applies.

ISO 2041, *Mechanical vibration, shock and condition monitoring — Vocabulary*

ISO 7626-1, *Mechanical vibration and shock — Experimental determination of mechanical mobility — Part 1: Basic terms and definitions, and transducer specifications*

3 Terms and definitions

For the purposes of this document, the terms and definitions given in ISO 7626-1 and ISO 2041 and the following apply.

Note As this part of ISO 7626 deals with mechanical mobility, the notes to the definitions below provide more detail than is given in ISO 2041.

3.1 frequency-response function

frequency dependent ratio of complex motion response to complex excitation force for a linear system

Note 1 to entry: Excitation may be harmonic, random or transient functions of time. The frequency-response function does not depend on the type of excitation function if the tested structure can be considered a linear system in a certain range of the excitation or response. In such a case, the test results obtained with one type of excitation may be used for estimating the response of the system to any other type of excitation. Phasors and their equivalents for random and transient excitation are discussed in [Annex B](#).

Note 2 to entry: Linearity of the system is a condition which, in practice, is met only approximately, depending on the type of system and on the magnitude of the input. Care has to be taken to avoid nonlinear effects, particularly when applying impulse excitation. Structures which are known to be nonlinear (e.g. structures with fluid elements) should not be tested with impulse excitation and great care is required when using random excitation for testing of such structures.

Note 3 to entry: Motion may be expressed in terms of velocity, acceleration or displacement; the corresponding frequency response function designations are mobility, accelerance and dynamic compliance, respectively. In some publications, these quantities are alternately referred to (in whole or in part) as mechanical admittance, inertance and receptance, respectively. These alternate terms are avoided herein, and are provided only for reference.

[SOURCE: ISO 2041:2009, 1.53, modified]

3.2 mobility mechanical mobility

complex ratio of the velocity, taken at a point in a mechanical system, to the excitation force, taken at the same or other point in the system

Note 1 to entry: Mobility is the ratio of the complex velocity-response at point i to the complex excitation force at point j with all other measurement points on the structure allowed to respond freely without any constraints other than those constraints which represent the normal support of the structure in its intended application.

Note 2 to entry: The term “point”, as used here, designates both a location and a direction. The terms “coordinate” and “degree-of-freedom” have also been used with the same meaning as “point”.

Note 3 to entry: The velocity response can be either translational or rotational, and the excitation force can be either a rectilinear force or a moment.

Note 4 to entry: If the velocity response measured is a translational one and if the excitation force applied is a rectilinear one, the units of the mobility term are $m/(N \cdot s)$ in the SI system.

Note 5 to entry: Mechanical mobility is an element of the inverse of mechanical impedance matrix.

[SOURCE: ISO 2041:2009, 1.54, modified]

3.3 driving-point mobility

Y_{jj}
frequency-response function formed by the complex velocity-response at point j to the complex excitation force applied at the same point with all other measurement points on the structure allowed to respond freely without any constraint other than those constraints which represent the normal support of the structure in its intended application

[SOURCE: ISO 2041:2009, Note to 1.55, modified]

3.4 transfer mobility

Y_{ij}
frequency-response function formed by the complex velocity-response at point i to the complex excitation force applied at point j with all points on the structure, other than j , allowed to respond freely without any constraint other than those constraints which represent the normal support of the structure in its intended application

[SOURCE: ISO 2041:2009, 1.56, modified]

3.5 frequency range of interest

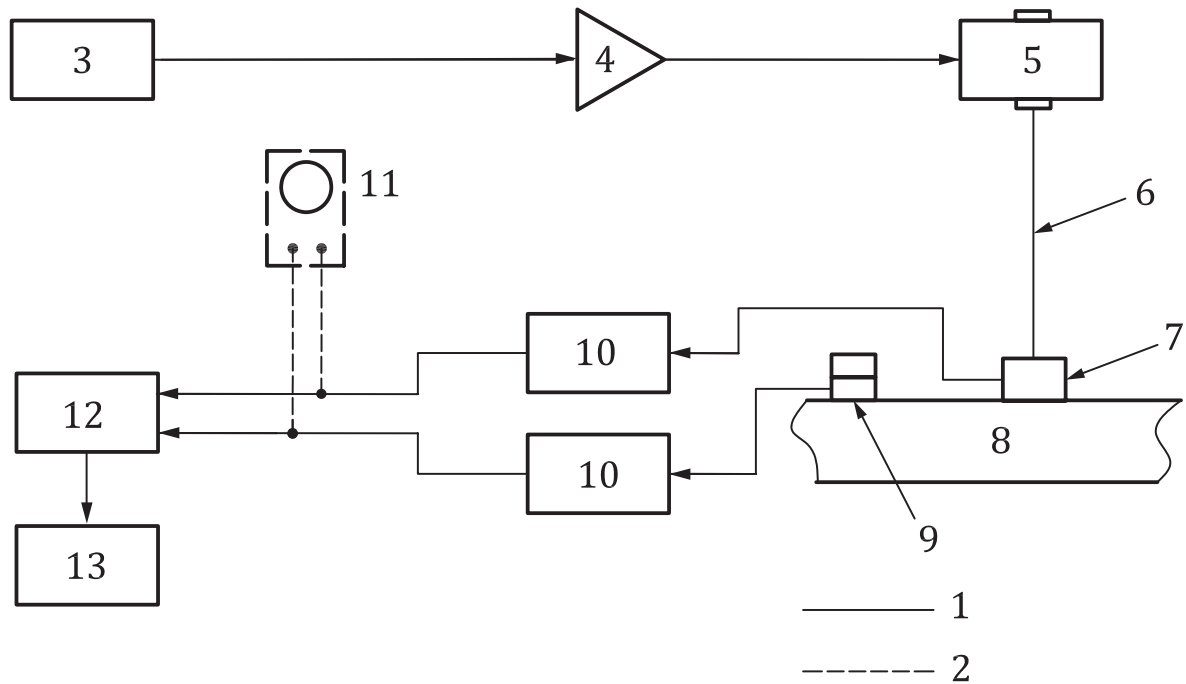
span between the lowest frequency to the highest frequency at which mobility data are to be obtained in a given test series

[SOURCE: ISO 7626-1:2011, 3.1.5, modified]

4 Overall configuration of the measurement system

Individual components of the system used for mobility measurements carried out in accordance with this part of ISO 7626 shall be selected to suit each particular application.

However, all such systems should include certain basic components arranged as shown in [Figure 1](#). Requirements for the characteristics and usage of those components are given in the relevant clauses.



Key

- | | | | |
|---|-------------------|----|--------------------------------|
| 1 | basic feature | 8 | structure under test |
| 2 | optional feature | 9 | motion response transducer(s) |
| 3 | signal generator | 10 | signal conditioners |
| 4 | power amplifier | 11 | monitoring oscilloscope |
| 5 | vibration exciter | 12 | analyser |
| 6 | drive rod | 13 | plotter or other output device |
| 7 | force transducer | | |

Figure 1 — Block diagram of mobility measurement system

5 Support of the structure under test

5.1 General

Mobility measurements are performed on structures either in an ungrounded condition (freely suspended) or in a grounded condition (attached to one or more supports), depending on the purpose of the test. The restraints on the structure induced by the application of the vibration exciter are dealt with in [6.4](#).

5.2 Grounded measurements

The support of the test structure shall be representative of its support in typical applications unless it has been specified otherwise. A description of the support should be included in the test report.

5.3 Ungrounded measurements

A compliant suspension of the test structure shall be used. The magnitude of driving-point mobility of the suspension at each point of attachment to the structure under test should be at least 10 times

greater than that of the structure at the same attachment point, within the frequency range of interest. Details of the suspension system used shall be included in the test report.

In the absence of quantitative information, design of the suspension is largely a matter of judgment depending on the frequency range of interest. As a minimum requirement, all resonance frequencies of the rigid-body modes of the suspended structure shall be less than half the lowest frequency of interest.

Items commonly used to provide compliant suspension include shock cords and resilient pads of material such as foam and rubber. Since some suspension systems have mass but little damping, care shall be taken to ensure that the frequencies of the suspension resonances are well away from the modal frequencies of the test structure itself. The masses of any suspension components, such as hooks and turnbuckles, located close to the structure under test shall also be less than one-tenth of the free effective mass of the structure at each frequency of interest.

Preliminary testing should be performed to identify locations for the attachment of the suspension with the minimum possible effect on the intended measurements. Suspension near nodal points of the structure under test will minimize the interaction of the suspension system with the structure. Suspension cables should run normal to the direction of excitation, if practical, and even in this case, transverse string vibrations of suspension cables can affect the data.

CAUTION — Attention should also be paid to any added damping of the structure due to the suspension system.

6 Excitation

6.1 General

The selection of appropriate excitation depends on the particulars of the measurement application. Factors to consider when selecting the appropriate excitation include the frequency-response and amplitude characteristics of the exciter to be used, desired signal-to-noise ratio, available test time, and the capabilities of the available analyser and signal-generation equipment. Prior to the advent of modern Fast Fourier Transform (FFT) analysers, the most common waveforms were sinusoidal. This allowed determination of a response at a single frequency, requiring a process of stepping through the frequency range of interest one frequency at a time. With modern FFT analysers, more complex waveforms can be used to excite wider frequency bands to produce frequency response functions via Fourier processing methods. Features of various types of waveforms and exciters are provided in [6.2](#) and [6.3](#).

6.2 Excitation waveforms

6.2.1 General

Applicable excitation waveforms include, but are not limited to, those described in [6.2.2](#) to [6.2.5](#). This part of ISO 7626 reflects technology in wide use during its drafting and is not inclusive of all possible waveforms that may be used. Comparative advantages and disadvantages of the different types of waveforms and structures are discussed in Reference [\[4\]](#).

6.2.2 Discretely dwelled sinusoidal excitation

The excitation for a given measurement consists of a set of individual discrete-frequency sinusoidal signals, applied sequentially. The frequencies of the signals are incrementally spaced over the frequency range of interest; requirements for selecting the frequency increment are given in [9.2.2](#). At each frequency, the excitation is applied over a small interval of time. The length of the time interval shall be sufficiently long to achieve steady-state response of those natural vibration modes of the structure that are excited at the particular frequency and to achieve proper processing of the signal.

6.2.3 Slowly swept sinusoidal excitation

The excitation for a given measurement is a sinusoidal signal continuously swept in frequency from the lower to the upper limit of the frequency range of interest. The rate at which the frequency is swept shall be slow enough to achieve quasi-steady-state response of the structure; requirements for selecting the sweep rate are given in [9.2.3](#). Over a small interval of time, the energy of excitation is concentrated in the small frequency band swept during that interval.

6.2.4 Stationary random excitation

The waveform of stationary random excitation has no explicit mathematical representation, but does have certain statistical properties. The spectrum of the excitation signal shall be specified by the spectral density of the exciting force. Recommendations for shaping the spectral density to concentrate the excitation in the frequency range of interest are given in [9.4.3](#). All vibration modes having frequencies within this frequency range are excited simultaneously.

6.2.5 Other excitation waveforms

6.2.5.1 General

Additional types of waveforms, described in [6.2.5.2](#) to [6.2.5.5](#), also simultaneously excite all vibration modes within a frequency band of interest. The methods of signal processing and excitation control used in conjunction with these waveforms are similar to those used with stationary-random excitation. These waveforms are repetitive and are recommended when synchronous time-domain averaging of the response waveform is necessary to measure properly the motion response of the structure.

6.2.5.2 Pseudo-random excitation

The excitation signal is synthesized digitally in the frequency domain to attain a desired spectrum shape. An inverse Fourier transformation of the spectrum may be performed to generate repetitive digital signals which are then converted to analogue electrical signals to drive the vibration exciter.

6.2.5.3 Periodic-chirp excitation

A periodic chirp is a rapid repetitive sweep of a sinusoidal signal in which the frequency is swept up or down between selected frequency limits. The signal may be generated either digitally or by a sweep oscillator and should be synchronized with the signal processor for waveform averaging to improve the signal-to-noise ratio.

6.2.5.4 Periodic-impulse excitation

A suitably shaped impulse function, usually generated digitally, is periodically repeated. The signal processor should be synchronized with the signal generator. The impulse function shape (typically half-sine or decaying step functions) shall be chosen to meet the excitation frequency requirements.

6.2.5.5 Periodic-random excitation

A periodic-random excitation combines the features of stationary random and pseudo-random excitation in that it satisfies the conditions for a periodic signal and yet changes with time so that it excites the structure in a random manner; this is done by using different pseudo-random excitation for each average.

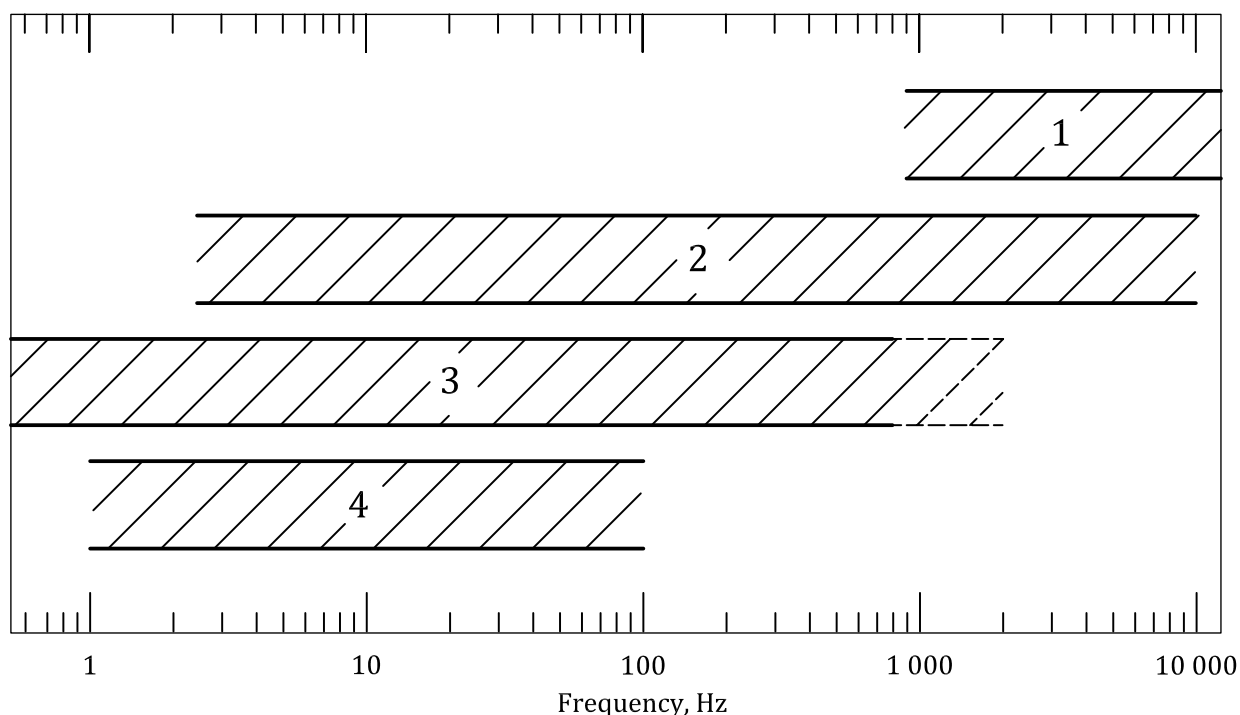
6.3 Vibration exciters

Devices commonly attached to the structure under test to apply input forces having desired waveforms include electrodynamic, electrohydraulic, piezoelectric, and rotating eccentric mass vibration exciters. The frequency ranges of general applicability for each type of exciter are shown in [Figure 2](#).

The basic requirement of a vibration exciter is that it shall provide a sufficient force and displacement capability so that mobility measurement can be made over the entire frequency range of interest with an adequate signal-to-noise ratio. A vibration exciter with higher force output might be required to apply adequate broad-band random excitation to a given structure than is needed for sinusoidal excitation. Exciters with lower force output may be used if a band limiting of the random noise is selected or if time-domain averaging of the excitation and response signal wave-forms is used (see 6.2.5).

NOTE The coherence function can be used as a measure of the adequacy of the vibration exciter in relation to background and electronic noise.

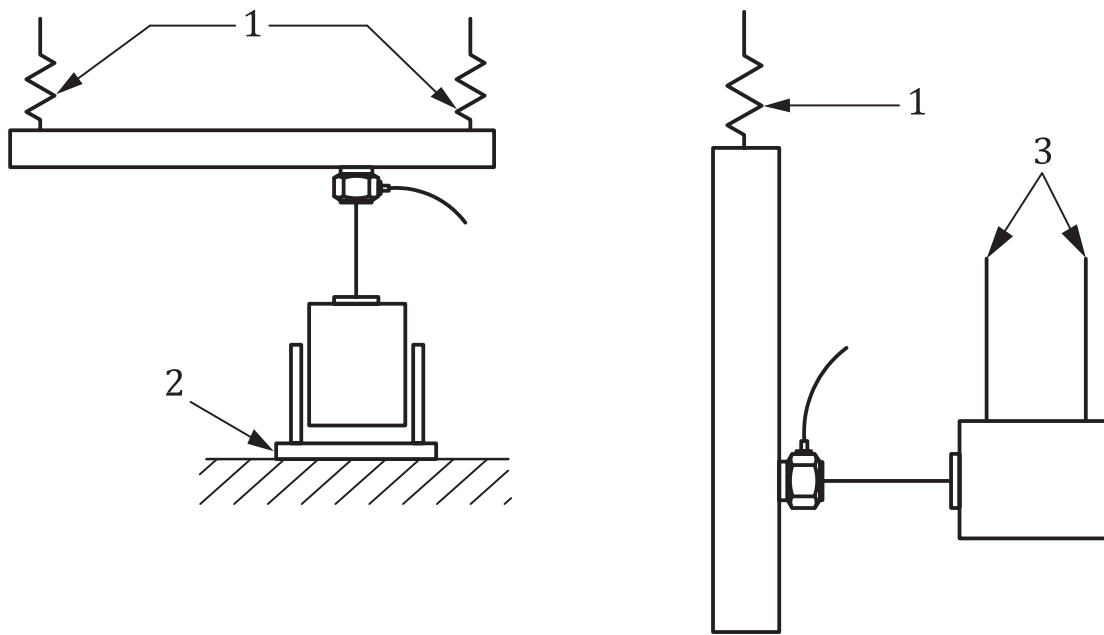
The excitation-force input to a structure gives rise to a reaction force which is provided either by the exciter support or by the inertia of the exciter itself; these approaches are illustrated in Figures 3 a) and 3 b). If necessary, an additional mass should be attached to the exciter. An incorrect set-up which would allow transmission of exciter reaction forces to the structure via a path other than through the force transducer, i.e. through a common base on which both the exciter and the structure are mounted, is illustrated in Figure 3 c).



Key

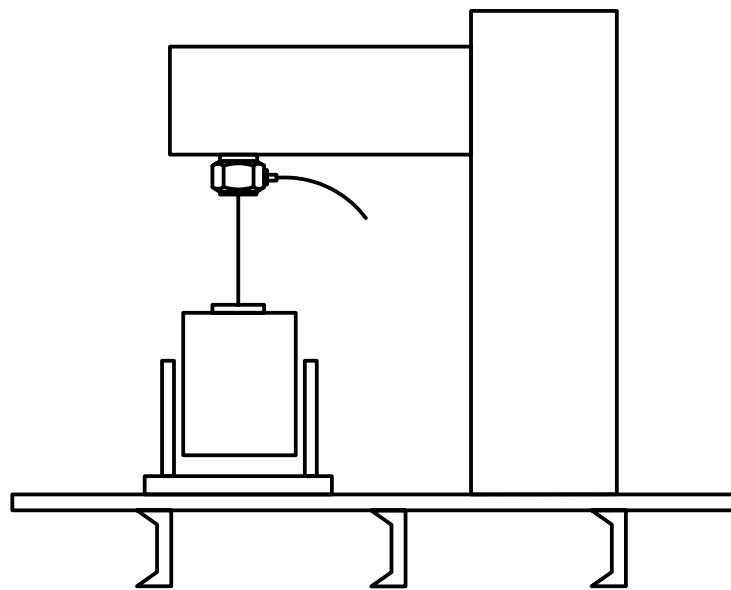
- | | |
|------------------|---------------------------|
| 1 piezoelectric | 3 electrohydraulic |
| 2 electrodynamic | 4 eccentric rotating mass |

Figure 2 — Frequency ranges of typical vibration exciters



a) Reaction by external support

b) Reaction by exciter inertia



c) Reaction by excited structure: undesirable

Key

- 1 structure suspension
- 2 exciter support

- 3 exciter suspension

Figure 3 — Reactions of exciter

6.4 Avoidance of spurious forces and moments

6.4.1 General

For translational mobility measurements, it is required that the excitation force be applied only along the intended direction at the points of interest on a structure.

Any spurious moment or force (other than that along the intended direction) will cause errors in the resulting mobility data. The driving point and all measurement points on the structure shall be free to respond by moving in any direction without restraint. Dynamic interactions between the structure and the motion and force transducers as well as between the structure and the exciter shall be avoided. In order to ensure that spurious forces and moments be avoided the factors dealt with in [6.4.2](#) to [6.4.4](#) shall be taken into consideration.

6.4.2 Transducer mass loading

Spurious forces are generated at each transducer attachment point as a result of the acceleration of the transducer mass. Measurement errors caused by mass loading shall be minimized by selecting transducers having the smallest mass consistent with sensitivity requirements. When measuring driving-point mobility, such loading by a force transducer can be electronically compensated to a certain extent (see [7.3](#)).

6.4.3 Transducer rotational inertia loading

Spurious moments are generated at each transducer attachment point as a result of the rotational acceleration of the transducer, especially impedance heads which may have a large rotational inertia. Such spurious moments shall be minimized by selecting transducers having low moments of inertia about their mounting points.

6.4.4 Exciter attachment restraints

Spurious moments and cross-axis forces are generated at the exciter attachment point by restraints imposed on the rotational and lateral driving-point responses of the structure under test. For example, clamping constraints introduced by the exciter/impedance head assembly could adversely affect the measurement of low-order modes in test structures. The use of area-reducing cones may be required to approximate more closely a point driving force.

NOTE 1 Area-reducing cones can further increase the likelihood of introducing a spurious moment if careful consideration is not given to their use.

Avoidance of exciter attachment restraints is often the most difficult problem encountered when using fixed vibration exciters to measure the mobility of lightweight structures.

To avoid measurement errors caused by attachment restraints, the magnitudes of the lateral and rotational driving-point mobilities of the exciter attachment, when the exciter and attachment hardware are disconnected from the structure, shall be at least ten times larger, at all frequencies of interest, than those of the corresponding elements of the driving-point mobility matrix of the structure itself.

In the absence of quantitative data for either lateral or rotational driving-point mobility, determination of whether a particular test set-up avoids measurement errors caused by significant attachment restraints is often a matter of judgment. The following items shall be taken into consideration:

- a) the use of a free-floating voice-coil exciter as in Reference [\[5\]](#);
- b) the design of the support system for an inertia-controlled exciter such that the reaction to the force applied to the structure under test will not result in any rotational motion of the exciter nor in any motion transverse to the axis of the force transducers;
- c) the installation of a drive rod connecting the exciter to the force transducers.

The drive rod shall be designed^[6] to provide a high stiffness in the axial direction and sufficient flexibility in all other directions. Slender short rods are frequently used for this purpose; however, thick rods with thin flexible sections near each end may give better results. Care shall be taken to ensure that the exciter and drive rod are aligned with the force transducer axis.

If flexible drive rods are used, the accelerometer shall be attached directly to the structure in all cases. The accelerometer shall not be connected to the structure via intermediate devices, such as drive rods, the axial compliance of which would render motion-response measurements invalid [see [Figure 4 a](#)]. The force transducer shall be arranged so that it always measures the force transmitted from the drive rod to the structure [see [Figure 4 b](#)]. Only with extreme caution can the force transducer be located at the exciter end of the rod [see [Figure 4 c](#)]. If the arrangement illustrated in [Figure 4 c](#) is unavoidable, the effect of the drive rod compliance shall be checked as described in ISO 7626-1 and the compensation for the rod mass shall be applied using the procedure specified in [7.3](#).

NOTE 2 Drive-rod bending modes having natural frequencies within the frequency range of interest might interfere with the mobility test. Furthermore, bending vibrations of the moving systems of the exciter might introduce moments into the structure, which are not detected by the force transducer, but can affect the response measurements.

7 Measurement of the exciting force and resulting motion response

7.1 General

Basic criteria and requirements for the selection of motion transducers, force transducers and impedance heads, and methods for determining the characteristics of those transducers are specified in ISO 7626-1. Measurements of exciter current or voltage shall not be used to infer excitation force amplitudes without calibration by taking all factors (masses, friction, etc). Preferably, excitation forces shall be measured by a suitable transducer.

The types of transducers most commonly used in structural frequency-response measurements are piezoelectric accelerometers, piezoelectric force transducers, and impedance heads combining those devices in one assembly. Displacement or velocity transducers may be used in lieu of accelerometers. Some displacement transducers offer the advantage of a non-contacting design. Piezo-resistive accelerometers have certain advantages when impulsive excitation waveforms are used. Care shall be taken to ensure that the frequency response and linear range of any candidate transducer are sufficiently broad and the base strain sensitivity of the accelerometers is sufficiently low to avoid any misinterpretation of the signals.

Any of the three types of motion (displacement, velocity and acceleration) may be determined using any type of motion transducer by multiplying the measurement result, at each frequency f , using the following factor raised to the appropriate positive or negative integer exponent:

$$(j2\pi f)^n \quad (1)$$

where

$j = \sqrt{-1}$, f is the frequency concerned, the integer exponent $n = -2$ for acceleration measurement to displacement presentation, $n = -1$ for acceleration to velocity or velocity to displacement, $n = 1$ for displacement to velocity or velocity to acceleration, and $n = 2$ for displacement to acceleration.

7.2 Attachment of transducers

Two methods commonly used to attach force and motion transducers to structures are threaded studs and cement; detailed guidance on transducer attachment methods is given in ISO 5348 and References [\[7\]](#), [\[8\]](#) and [\[9\]](#).

The excitation force shall be transmitted as directly as possible through the force transducer or impedance head to the structure with as few intervening components as practical. If the surface of the structure is not flat at the transducer attachment points, appropriately shaped metallic mounting pads shall be used. A thin film of a viscous fluid (such as heavy oil or grease) between the transducer and the mounting surface may improve the attachment coupling at high frequencies. The effects of attachment compliance should be checked as described in ISO 7626-1. Force transducers mounted on studs shall be tightened to the torque recommended by the transducer manufacturer.

7.3 Mass loading and mass cancellation

As outlined in [6.4.2](#), the amount of mass added to a structure for test purposes shall be minimized. When testing lightweight structures, it is desirable to compensate electronically for the total effective mass, m_t , of the transducers and attachment hardware at the driving point of the structure. Electronic compensation for this mass shall be considered when the magnitude of the driving-point mobility of the structure being tested is greater than $0,01/fm_t$ at all frequencies, f , in hertz, within the frequency range of interest; the mass, m_t , in kilograms, is the sum of the mass of the hardware used to attach the force transducer to the structure being tested and the effective end mass of the force transducer or impedance head as defined in ISO 7626-1.

If the above criterion cannot be met, the following compensation procedure, commonly known as “mass cancellation”, may be considered. The acceleration signal at the point of excitation is obtained and multiplied, either in an analogue circuit or digitally, by the total effective mass to be compensated. The product represents that part of the exciter output force which is required to accelerate the effective mass added to the structure for the purpose of carrying out the test. This force signal is subtracted, either in an analogue circuit or digitally, from the force transducer signal to obtain the net exciting force acting on the structure under test.

If a separate driving-point accelerometer is used below the force transducer [see [Figures 4 b](#)) and [4 c](#))], the mass of the accelerometer shall also be included in the determination of the total effective mass, m_t .

During driving-point mobility measurements, the accelerometer used for measuring the response of the structure also provides the signal for determining the force required to accelerate the effective mass. During transfer-mobility measurements, however, a separate accelerometer at the driving point of the structure is required in order to obtain the signal to be used for mass cancellation.

Electronic mass cancellation cannot compensate for rotational inertia loadings; it can only compensate for translational inertia loadings at the driving point and in the direction of the excitation. All other spurious forces can only be minimized by choosing transducers of low inertia. Measurement errors caused by uncompensated inertia loadings of the structure include shifts in the frequencies of the response peaks.

It is strongly recommended that reconsideration of the transducer selection and redesigning of the attachment hardware be given higher priority than the use of mass cancellation. In addition, to avoid large measurement errors, mass cancellation should only be used in the range where the ratio of the effective mass of the attachment hardware and transducers to the free effective mass of the test structure at the driving point is greater than 0,05 and less than 0,5.

7.4 Signal amplifiers

Typically piezoelectric force and motion transducers require charge amplifiers. Alternatively high-impedance voltage amplifiers may be used.

NOTE 1 Newer piezoelectric transducers have built-in charge amplifiers.

NOTE 2 The sensitivity of a voltage amplifier tends to be affected by the impedance of the transducer cable. Voltage amplifiers have more severe low frequency response limitations than charge amplifiers.

7.5 Calibrations

7.5.1 General

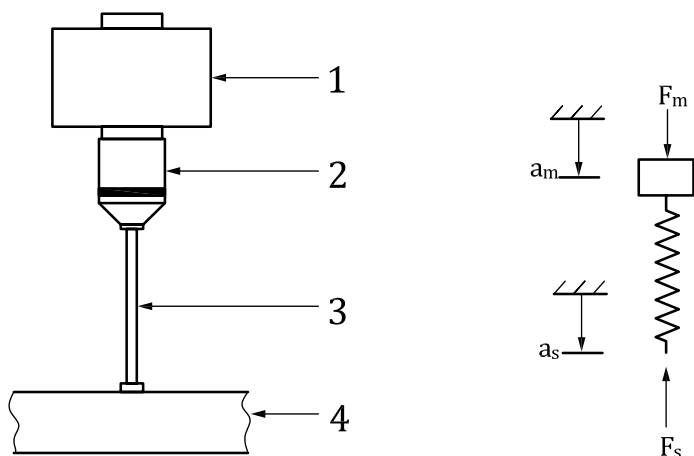
Requirements for basic and supplementary transducer calibrations are given in Clause 7 and Clause 8 of ISO 7626-1:2011; both are essential for determining the suitability of piezoelectric transducers for mobility measurements. The basic calibrations of each transducer should be performed every other year.

NOTE Calibration procedures for vibration transducers are specified in ISO 5347 and ISO 16063.

The actual overall measurement system shall be calibrated at the beginning of each day's test series by performing the operational calibration described in [7.5.2](#). The operational calibration shall also be checked at the end of each test series. Additional calibrations may be performed during the test, as required.

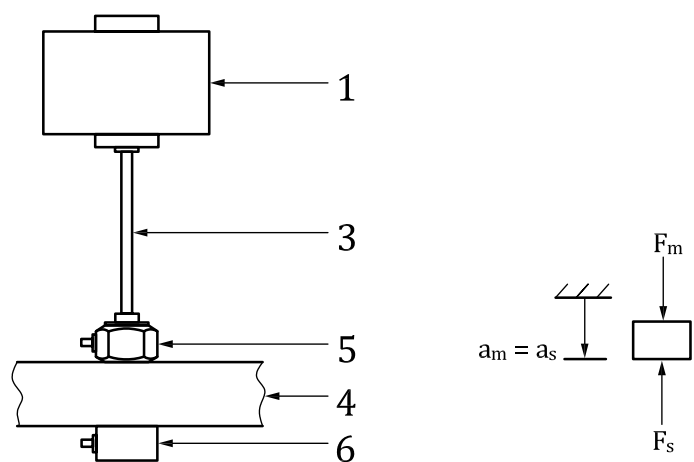
7.5.2 Operational calibration

Operational calibrations shall be performed by measuring either the mobility or the accelerance of a freely suspended rigid calibration block of known mass. All components of the measurement system shall be connected in the same manner as they will be in the test series. The measured frequency response for the calibration block shall agree within $\pm 5\%$ of its known correct value, for example with the magnitude of the accelerance $1/m$ or with the magnitude of the mobility $1/(2\pi f m)$, where m is the known mass of the calibration block. The same attachment hardware that is to be used in the measurement series shall be used for the operational calibration so that any error caused by the attachment compliance may be detected (see ISO 7626-1). The mass of the calibration block shall be selected so that its mobility is representative of the range of mobilities involved in the measurement series. If necessary, several operational calibrations shall be performed with appropriate calibration blocks to cover the range of mobilities involved.



Impedance-head acceleration measurements invalid due to drive rod axial compliance;
 Large mass correction of measured force required to determine actual excitation force

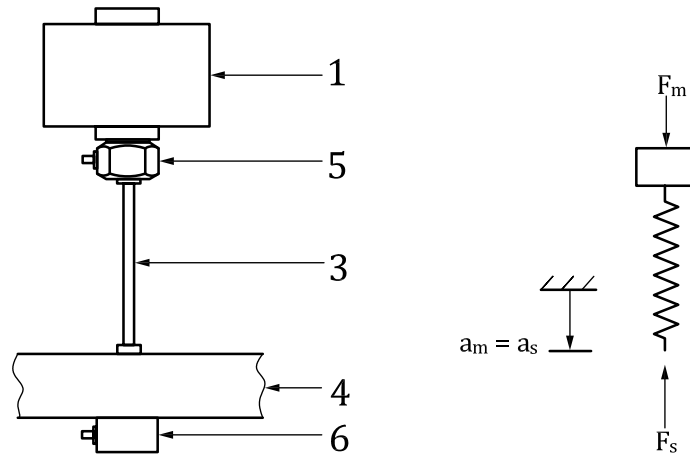
a) Impedance head on exciter — Incorrect



Force and acceleration measurements unaffected by drive rod compliance;
 Minor mass correction required to determine actual excitation force

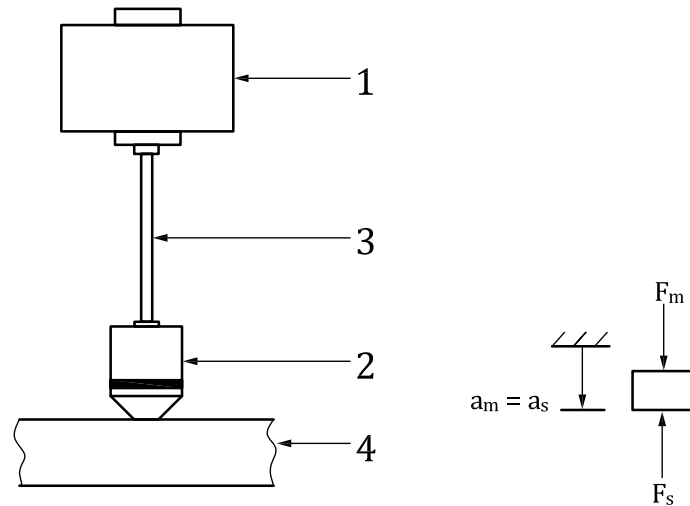
b) Force transducer and accelerometer on structure — Best

Figure 4 (continued on the next page)



Large mass correction of measured force required to determine actual excitation force

c) Force transducer on exciter and accelerometer on structure— Incorrect



Impedance-head acceleration measurements unaffected by drive rod compliance; Minor mass correction required to determine actual excitation, but note that rotational inertia of the impedance head cannot be cancelled and might significantly affect data if flexing of the structure is significant.

d) Impedance head on structure — Compromise

Key

- | | | | |
|---|----------------|---|----------------------|
| 1 | exciter | 4 | structure under test |
| 2 | impedance head | 5 | force transducer |
| 3 | drive rod | 6 | accelerometer |

Figure 4 — Connection of drive rod and transducers

8 Processing of the transducer signals

8.1 Determination of the frequency-response function

8.1.1 General

The motion and force signals shall be processed by an analyser which filters the signals (and performs mass cancellation, if required) and determines the ratio of their magnitudes as well as the phase angle between the signals, both as functions of frequency. The analyser should also perform the mathematical operations which may be required for converting the measured frequency-response function to another type (for example, converting accelerance to mobility) (see [7.1](#)). Processing requirements pertaining to the various excitation waveforms described in [6.2](#) are specified in [8.1.2](#) and [8.1.3](#).

8.1.2 Sinusoidal excitation

The magnitude of the frequency-response function shall be determined by analogue or digital means as the ratio of the amplitudes of the two sinusoidal signals. The phase of the frequency-response function shall be determined by measuring the difference between the phase angles of the two signals.

8.1.3 Random excitation

Transducer signals generated with random, periodic random, pseudo-random, periodic chirp or impulse excitation should be processed using digital Fourier transform analysers. As described in ISO 7626-1, the frequency-response function may be obtained by suitable computations such as the ratio of the cross-spectral density between the motion response and the excitation force divided by the auto-spectral density of the excitation force. Estimates of those spectra shall be computed by discrete Fourier transformation of the properly time-domain weighted excitation and response signals (see [8.4.3](#)). A sufficient number of spectra shall be averaged to achieve that, at each resonance frequency, the normalized random error in the computed driving-point mobility is less than 5 % (see [Annex A](#)). At least the same number of spectra shall be averaged when computing the corresponding transfer mobilities.

NOTE 1 When measuring transfer mobilities, it might not be possible to achieve the level of random error specified above, especially when the response is measured at a point and in a direction where the transfer mobility has a small magnitude. Little is gained in such cases by increasing the number of spectra that are averaged, beyond those required to meet the above criterion for the corresponding driving-point mobility test.

NOTE 2 Two-channel Fourier analysers can obtain only a single frequency-response function in a given measurement run. Analysers with additional response channels can be used if simultaneous measurement of several frequency-response functions is desired.

8.2 Filtering

8.2.1 Sinusoidal excitation

The frequency-response function shall be computed using only those components of the response and excitation signals corresponding to the excitation frequency. Suitable filters or synchronous digital sampling shall be used for minimizing noise and harmonics without altering the phase between the excitation and response signals.

NOTE Tracking filters are traditionally used for this purpose. Tracking filters are phase-matched, narrow passband analogue devices which use a heterodyne process to adjust automatically to the excitation frequency. Alternatively, digital signal processing devices can be used to synchronize the data sampling function with the frequency of excitation signal.

8.2.2 Random excitation

Filtering to remove noise and harmonics from the excitation and response signals is not feasible when random excitation is used. The signal-to-noise ratio can be enhanced by using band limiting techniques,

however. Suitable filters should be used to limit the excitation bandwidth as described in [9.4.3](#). Phase-matched, anti-aliasing filters having sharp high-frequency roll-off rates are always required when using digital analysers to avoid errors caused by signal components having frequencies above the highest frequency of the analysis range.

8.3 Avoidance of saturation

Systematic checks on gain settings to avoid saturation of the signal amplifiers are vitally important to ensure the validity of the measurement. The overload indicator of an analyser responds only to saturation which occurs within, but not prior to, the analyser. As shown in [Figure 1](#), an oscilloscope should be used to monitor the signals at suitable stages prior to the analyser unless the preamplifiers are equipped with overload indicators.

NOTE Saturation can be detected visually by the clipped appearance of the waveform as it appears on the oscilloscope.

8.4 Frequency resolution

8.4.1 General

The resolution shall be fine enough to resolve all the eigen frequencies of the test structure within the frequency range of the interest and to evaluate the modal damping adequately. The sampling frequency shall be at least ten times higher than the frequencies of interest.

8.4.2 Sinusoidal excitation

For slowly swept and discretely dwelled sinusoidal excitations adequate resolution of resonance frequencies requires that the time rate of change of the excitation frequency be sufficiently slow (see [9.2](#)).

8.4.3 Random excitation

For the excitation waveforms described in [6.2.4](#) and [6.2.5](#), adequate frequency resolution requires sufficiently small frequency increments in the discrete-frequency Fourier transform analysis. The frequency increments (line spacing), in hertz, shall be determined from consideration of the modal density and modal damping of the structure under test. Furthermore, time-domain weighting of the signals using the Hanning or other suitable time-weighting function should be used to maximize frequency resolution (see Reference [\[10\]](#)).

NOTE 1 For structures that have light mechanical damping, the required number of samples of digitized data (i.e. the sample “block size”) is large if the spectra of the excitation and response signals are computed for the entire frequency range of interest (i.e. by a “baseband” Fourier analysis). Alternatively, a Fourier analysis limited to a selected frequency band (zoom), or a combination of both, may be used. In either case, the total time (record length) required, in seconds, will be the reciprocal of the required frequency increment (resolution), in hertz.

NOTE 2 Random excitation can be considered a time series of impulse functions (Duhamel’s approach). It is easily understood that the response at the start of the sampling of a block of data is mainly the result of earlier excitation; the response is thus not corresponding (coherent) to the excitation. Near the end of the data block there is still excitation, but the response is truncated, depending on the ratio of the decay time and the total time for sampling the data block and the place of the “excitation impulse” in the block; this again produces a bad coherence. The better part of the coherent excitation and response data is found in the middle of the data blocks. The application of Hanning windows is sometimes recommended to improve the coherence of mobility data; however, it remains a compromise inherent to random excitation for mobility measurements.

8.4.4 Periodic excitation

Periodic random, chirp and impulse excitations do not suffer from the problems described in [8.4.3](#). Since periodic excitation produces a head-to-tail connection of the subsequent data blocks, the starting transients shift over to the next block and, after a certain time, each data block includes all the response data. In principle, no averaging is necessary. In some cases, the coherence function may be used to

provide an estimate of the extraneous noise and, thus, provide guidance in selecting the appropriate signal-averaging parameters (see [Annex A](#)).

9 Control of the excitation

9.1 General

Control of the excitation time is necessary to achieve adequate frequency resolution; control of the excitation amplitude is usually necessary to achieve an adequate dynamic range.

9.2 Time required for sinusoidal excitation

9.2.1 General

With either swept- or dwelled-frequency sinusoidal excitation, the rate of change of the excitation frequency (or the step size and rate) shall be controlled to achieve the frequency resolution required. Fine resolution is required in the vicinity of resonances (response peaks) and anti-resonances (response dips) of the structure in order to determine accurately the magnitude and phase and to obtain accurate information for calculating natural frequencies and structural damping.

9.2.2 Discretely dwelled sinusoidal excitation

When making use of dwelled sinusoidal excitation, the excitation frequency nearest to each resonance frequency of the structure will differ from the true resonance frequency by as much as one-half of the frequency stepping increment. Thus, the maximum error in the determination of a resonance frequency is half the frequency increment. In addition, the measured magnitude of the peak response of the structure will likely be less than the true resonance peak. Upper bounds on the error are given in [Table 1](#). Errors in the measurements of the true magnitude of the response peaks of a structure lead to excessive estimates of the damping of the structural modes.

The frequency increment in the frequency range of $\pm 10\%$ of a resonance frequency shall be chosen so that the measured peak response amplitude and the modal damping ratio are within 5 % of their true values.

Formulae for determining the maximum frequency increment meeting this requirement are given in [Annex B](#) as a function of resonance frequency and modal damping coefficient. The minimum time duration for excitation at each frequency (dwell time) is also given in [Annex B](#). For frequencies outside the range of $\pm 10\%$ of a resonance or anti-resonance frequency, larger frequency increments and shorter dwell times may be used.

Table 1 — Maximum error in measurements of the magnitude of the motion response of a structure at resonance when using discretely dwelled sinusoidal excitation

Ratio of dwelled frequency increment to true half-power bandwidth of a structural mode	Maximum error in the measurement of the magnitude of the response peak	
	%	dB
Greater than 1	More than 29,3	More than 3
1	29,3	3
1/2	10,6	1
1/3	5,1	0,5
1/4	3	0,3
1/5	1,9	0,2
1/6	1,4	0,1
1/7	1	0,1
1/8	0,7	0,1

NOTE The errors given in this table were calculated by means of a formula published in Reference [11]; however, additional terms were carried in the computations to improve the accuracy.

9.2.3 Slowly swept sinusoidal excitation

If slowly swept sinusoidal excitation is used, the frequency shall be varied either as a linear or logarithmic function of time. The sweep rate shall always be chosen so that, in the frequency range within $\pm 10\%$ of a resonance frequency, the measured magnitude of the motion response of the structure is within 5 % of the true value.

For linearly swept excitation, the maximum sweep rate, $(df/dt)_{\max}$, in hertz per minute, shall be as given by Formula (2):

$$(df/dt)_{\max} < 54(f_n)^2 / Q^2 \quad (2)$$

For logarithmically swept excitation, the maximum sweep rate, $(df/dt)_{\max}$, in octaves per minute, shall be as given by Formula (3):

$$(df/dt)_{\max} < 77,6 f_n / Q^2 \quad (3)$$

In these two relationships,

f_n is the estimated resonance frequency;

Q is the estimated dynamic amplification (quality) factor of the structural mode of concern at the resonance frequency.

NOTE The two relationships given in Formulae (2) and (3) are taken from Reference [11] and are intended to ensure that essentially steady-state measurements are obtained.

9.3 Time required for random excitation

The excitation shall be applied and the motion response measured for a duration long enough to permit averaging the number of spectra specified in 8.1.3.

The number of spectra to be averaged is a function of the signal-to-noise ratio of the measurement system. The coherence function between the excitation force signal and the motion-response signal

shall be used to determine the minimum number of spectra that have to be averaged to ensure that the normalized random error is less than 5 % (see [A.1](#)).

The excitation time, in seconds, required for obtaining each spectrum is the reciprocal of the frequency increment, in hertz, of the discrete Fourier transform (see notes to [8.4.3](#)).

9.4 Dynamic range

9.4.1 General

The mobility of lightly damped structures typically covers a magnitude range of more than 10^5 : 1 (100 dB) over the frequency range of interest. Each data channel, in addition to having a maximum working voltage above which saturation occurs, has a minimum voltage below which electronic noise and, for digital systems, noise associated with the digitizing process becomes significant in comparison with the signal. (This is referred to as the noise floor.) For accurate measurements, the control of the excitation shall be such that the voltages in both channels remain within those bounds. Guidelines for excitation amplitude control to achieve adequate dynamic range for mobility measurements using the various types of excitation waveform are given in [9.4.2](#) and [9.4.3](#).

9.4.2 Sinusoidal excitation

With a constant excitation force amplitude, the maximum dynamic range that can be achieved for a mobility measurement is the dynamic range of the response signal channel of the measurement system (typically approximately 300:1 or 50 dB). In order to increase the attainable range, the excitation amplitude should be reduced in the vicinity of each resonance frequency (response peak) and increased in the vicinity of each anti-resonance frequency (response dip). The limitation of attainable dynamic range as a result of the use of constant-amplitude excitation is illustrated in [Figure 5](#) a), c), and e). With constant-amplitude excitation, the maximum measured motion-response magnitude is less than the true maximum motion response because of amplifier saturation. Likewise, the measurement of the true motion response at structural anti-resonances is limited by electronic noise. The improvement in dynamic range obtainable by proper control of the amplitude of the exciting force is illustrated in [Figure 5](#) b), d), and f).

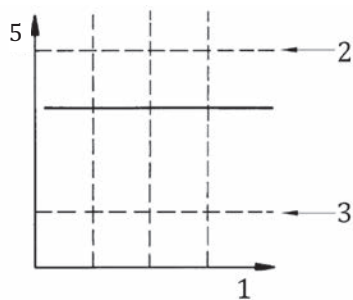
9.4.3 Random excitation

The concept of excitation control described in [9.4.2](#) and illustrated in [Figure 5](#) b), d), and f) should also be used when the excitation force has one of the random waveforms described in [6.2.4](#) or [6.2.5](#). As a minimum, the excitation spectrum shall be truncated sharply at the maximum frequency of interest to eliminate excitation and response signals above the maximum frequency of interest. If band-limited analysis is used to increase the frequency resolution of the measurements, the excitation shall be limited by bandpass (or by high- and low-pass) filters to the frequency band selected for the high-resolution measurements (see [8.4.3](#)).

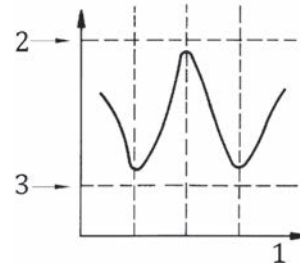
10 Tests for valid data

When mobility data are measured with random excitation of the vibration exciter, the procedure described in [A.1](#) may be used to estimate the minimum number of spectra that need to be averaged to achieve a specified level of confidence in the results. Additional tests, applicable to all types of excitation, are described in [A.2](#) to [A.4](#). The additional tests provide useful information on linearity, reciprocity, and the general validity of the test results.

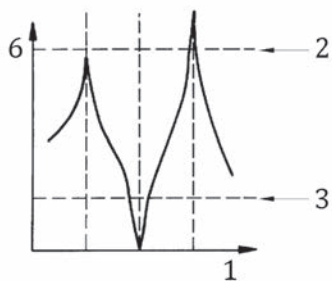
If the data are plotted on pre-printed mobility graph paper (see ISO 7626-1), proper alignment of the graph paper with the plotter should be verified, using a procedure appropriate for the plotter being used.



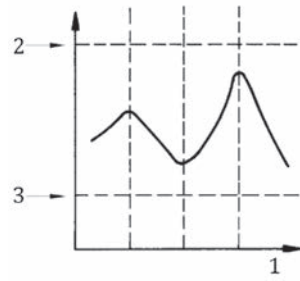
a) Constant amplitude excitation



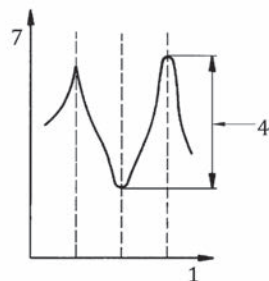
b) Variable amplitude excitation



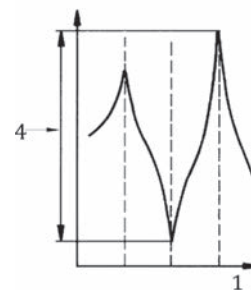
c) Constant amplitude excitation



d) Variable amplitude excitation



e) Constant amplitude excitation



f) Variable amplitude excitation

Key

- | | | | |
|---|--------------------------|---|--|
| 1 | frequency | 5 | true force amplitude or auto-spectral density |
| 2 | maximum working level | 6 | true motion amplitude or auto-spectral density |
| 3 | noise floor | 7 | measured frequency response magnitude |
| 4 | attainable dynamic range | | |

Figure 5 — Illustration of increase in attainable dynamic range through use of variable amplitude excitation rather than constant amplitude excitation

11 Modal parameter identification

The purpose of many mobility tests is to identify the modal parameters of the structure under test. Interpretation of mobility data for that purpose is beyond the scope of this part of ISO 7626; general principles are discussed, however, in [Annex C](#).

Annex A (normative)

Tests for validity of measurement results

A.1 Coherence

When non-sinusoidal excitation (see 6.2.4 and 6.2.5) is used, the coherence function, $\gamma^2(f)$, between the force signal and the response signal should always be computed as a check on certain potential errors in the computed frequency-response function. At least two ensembles shall be averaged to obtain a usable estimate of the coherence function.

Mathematically, the coherence function, $\gamma^2(f)$, is defined as the ratio of the square of the magnitude of the cross-power spectrum between the excitation force (input) and the motion response of the structure (output), divided by the product of the input power spectrum times the output power spectrum, as given in Formula (A.1)

$$\gamma^2(f) = \frac{|G_{xy}(f)|^2}{G_x(f)G_y(f)} \quad (\text{A.1})$$

By definition, the value of the coherence function is $0 < \gamma^2(f) < 1$. A typical coherence function plot is illustrated in Figure A.1.

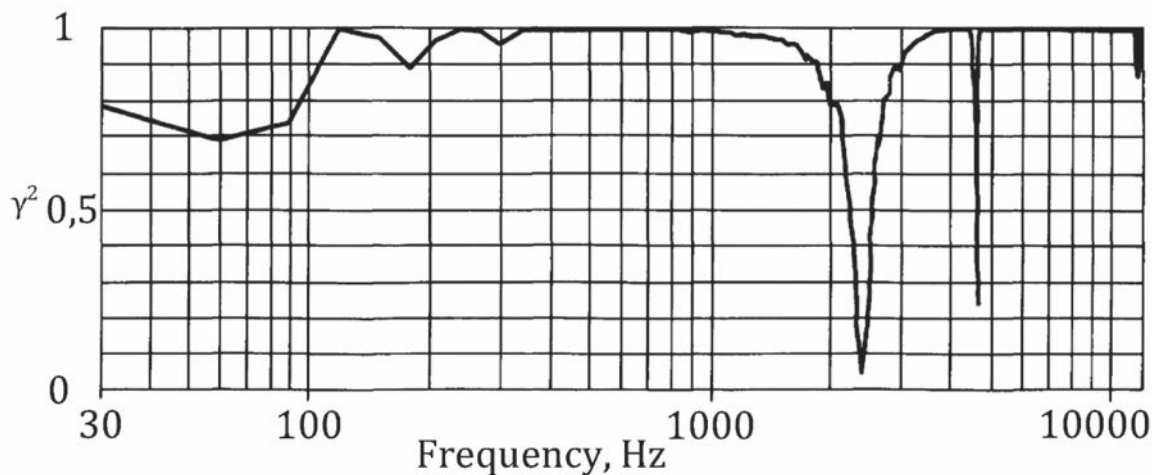


Figure A.1 — Typical coherence function plot

Substantially lower values of the coherence function are indications of the following problems.

- a) Notches in the coherence function at the resonance and anti-resonance frequencies of the structure under test are an indication that either
 - 1) the frequency resolution is inadequate (i.e. the analysis bandwidth is excessive, as discussed in Reference [12]), or

Inadequate frequency resolution causes bias errors in the computed frequency-response function. The guidance given in 8.4.3 should be considered for methods of improving the frequency resolution.

- 2) inadequate time-domain weighting is used in the analyser (see 8.4.3), or

- 3) the structure under test has nonlinearities (see [A.2](#)) or the signal amplifiers are saturating (see [8.3](#)), or
 - 4) there are multiple input forces, or
 - 5) there is contamination by noise associated with the digitizing process or by electronic noise, possibly resulting from inadequate force input by the vibration exciter.
- b) Notches in the coherence function at resonance frequencies can also be an indication that, at that frequency, the exciting force supplied by the vibration exciter drops because of an inherent limitation of the exciter. If the force signal drops below the noise floor, the calculated magnitude of the frequency-response function will be too low if the calculation is based on the ratio of the cross-spectral density between the motion response and the excitation force divided by the auto-spectral density of the excitation force (see [8.1.3](#)). Possible remedies are discussed in Reference [\[13\]](#).
 - c) Low coherence over a broad range of frequencies is an indication of a poor signal-to-noise ratio. This is often due to inadequate dynamic range and can be alleviated by suitable shaping of the excitation spectrum (see [9.4](#)). If the excitation waveforms described in [6.2.5](#) are used, the signal-to-noise ratio can also be enhanced by synchronous time-domain averaging of the waveforms (see Reference [\[4\]](#)).
 - d) Nonlinearities within the structure can result in low coherence any place in the frequency range. These effects depend upon the type of structural nonlinearity encountered.

Poor signal-to-noise ratios lead to random errors in the computed frequency-response function. For a given signal-to-noise ratio (i.e. for a given value of the coherence function), the magnitude of the expected error can be reduced by frequency-domain averaging.

The normalized random error of the magnitude of frequency-response function versus the number of averages may be read from [Figure A.2](#) with the measured value of the coherence function as a parameter. For example, if the measured coherence is 0,8, then about 75 spectra shall be averaged in order that the normalized random error of the computed magnitude of the frequency-response function be less than 5 %.

NOTE 1 The curves shown in [Figure A.2](#) were derived from analysis.[\[14\]](#)

NOTE 2 The coherence function cannot be calculated properly from single samples of the excitation and response signals since this always results in a fictitious value of unity.

NOTE 3 A high value of the coherence function does not always prove validity of the data; it could be an indication of cross-talk between the force and response channels.

A.2 Linearity

A.2.1 General

The presence of bolted joints, support clearances and other features of practical structures may cause nonlinear motion responses. In order to detect nonlinear effects, the check procedure described in [A.2.2](#) should be made in the course of each test series.

A.2.2 Check procedure

First measure the frequency-response function using a given procedure of excitation amplitude over the complete range of frequencies. Then repeat the measurement with the excitation amplitude significantly increased and decreased. If the results of the tests do not agree, further analysis of the reason is required.

A.3 Reciprocity

The principle of dynamic reciprocity requires equality between corresponding pairs of transfer mobilities for linear elastic structures. Let a measurement $Y_{ij}(f)$ be performed, establishing the complex

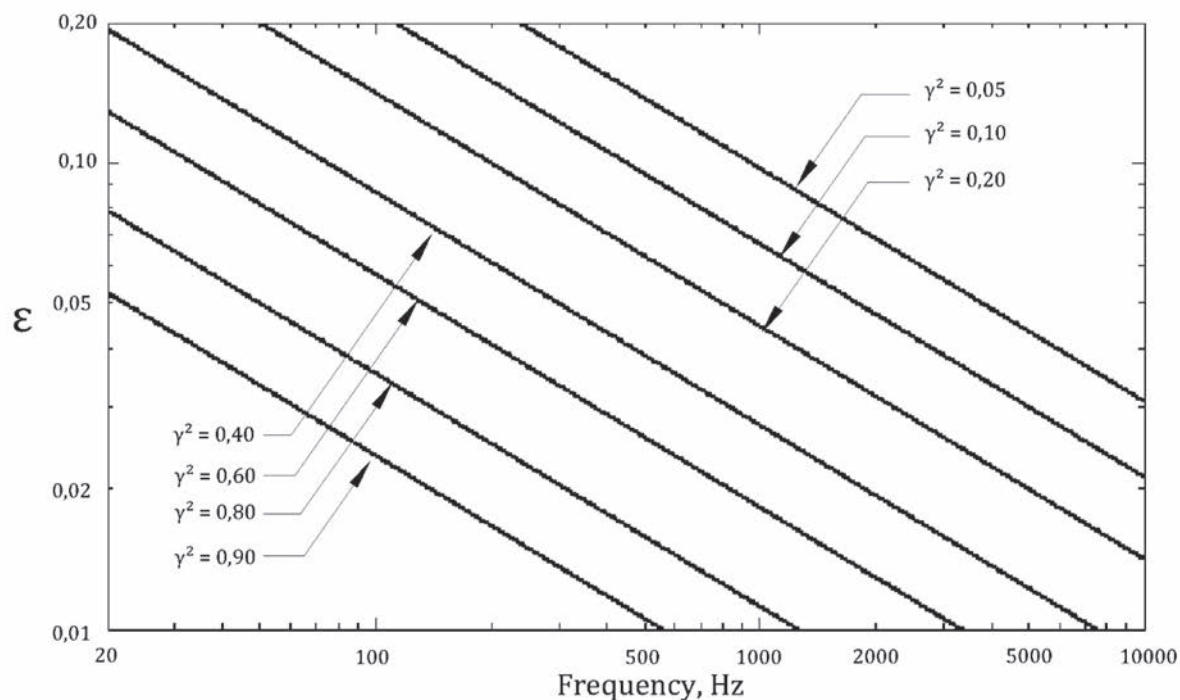
ratio of velocity response at a point i on a structure to the force applied at point j at frequency f . The principle of dynamic reciprocity states that $Y_{ij}(f) = Y_{ji}(f)$, where the new measurement $Y_{ji}(f)$ denotes the ratio of the velocity response measured at point j , in the direction of the previous excitation, to a force applied at point i in the direction of the previous response. Agreement between such pairs of measurements for a given linear structure confirms that proper test equipment and procedures are being used.

Although the transfer mobility of most structures exhibits dynamic reciprocity, some system elements, such as hydrodynamic bearings, do not behave reciprocally. When a non-reciprocal element is located between the driving point and the response point, $Y_{ij}(f)$ will not be equal to $Y_{ji}(f)$.

A.4 Driving-point measurements versus transfer measurements

Any driving-point frequency-response function should exhibit an anti-resonance between each pair of resonances. There is, however, not always an anti-resonance between adjacent resonances in a transfer measurement. If any of the anti-resonances between adjacent resonances is missing in a driving-point measurement, this is an indication of an imperfection in the test set-up (such as a small offset between the force and motion transducers) which should be corrected.

Another check on the validity of driving-point mobility measurements is that the phase angles should always fall between -90° and $+90^\circ$. Transfer mobility phase angles, however, may fall into any one of the four quadrants.



Key

ϵ normalized random error

Figure A.2 — Normalized random error of gain factor estimates versus number of averages

Annex B (normative)

Requirements for excitation frequency increments and duration

B.1 Frequency increments

In order to determine the response magnitude of the structure under test accurately, at any of its resonance frequencies, it is necessary to measure the response at a sufficient number of frequencies in the vicinity of that resonance frequency. The error caused by the use of a finite number of equally spaced measurement frequencies will fall between zero and the values shown in [Table 1](#) (see [9.2.2](#)), depending on whether the resonance frequency coincides with one of the measurement frequencies (zero error) or falls midway between two adjacent frequencies (maximum error).

In order to make use of [Table 1](#) to determine the maximum allowable frequency increment in the vicinity of a resonance frequency, f_n , the true half-power bandwidth, B , has to be known. This half-power bandwidth, B , in hertz, is related to the resonance frequency and the estimated amplification factor, Q , of the structure as given in the following relationship [Formula (B.1)]:

$$B = f_n / Q \tag{B.1}$$

From a maximum error of 5 % in the magnitude of the frequency-response function at resonance, the maximum frequency increments, Δf_{\max} , within ± 10 % of a structural resonance frequency, should be less than $0,32 B$.

NOTE Although [Table 1](#) was derived for discretely dwelled sinusoidal excitation, it also gives an indication of the resolution required in the Fourier transform analyser when using other excitation waveforms.

B.2 Duration of the excitation

After each step change in excitation frequency, the motion response of the structure consists of a transient superimposed on the steady response. The amplitude of the transient, $x(\tau)$, will decay according to Formula (B.2):

$$|x(\tau)| = X_i e^{-\pi B \tau} \tag{B.2}$$

where

- X_i is the initial amplitude;
- B is the half-power bandwidth;
- τ is the duration of amplitude decay.

The initial amplitude of the transient may be assumed to be typically less than 10 % of the steady-state amplitude, X_s .

With that assumption, the time required for the amplitude of the transient to decay to less than 5 % of the steady value, $\tau_{0,05}$, may be estimated from Formula (B.3):

$$e^{-\pi B \tau_{0,05}} = \frac{|x(\tau_{0,05})|}{X_i} = \frac{0,05 X_s}{0,1 X_s} = 0,5 \quad (\text{B.3})$$

which results in

$$\tau_{0,05} = \frac{\ln 0,5}{-\pi B} = \frac{0,221}{B} \quad (\text{B.4})$$

The excitation at another dwell frequency shall therefore be applied for at least $(0,221/B)$ s after measuring the motion response at a previous dwell frequency. At each frequency, the total duration for application of the exciting force is the sum of $\tau_{0,05}$ and the time required for the instruments to measure the force- and motion-response signals.

Annex C (informative)

Modal parameter identification

C.1 Requirements for modal parameter identification

Techniques for extracting modal damping and natural frequency values from frequency-response measurements require adequate dynamic range and sufficiently fine resolution of both magnitude and phase data in the vicinity of each resonance of the structure to obtain the necessary definition of the frequency response function, including the peak amplitude. The effect of errors in the measurement of the true amplitude and phase at the resonance peaks may be minimized by using advanced data reduction procedures such as circle fitting^[15].

C.2 Methods for determining mode shapes

Using mobility measurements or measurement equipment, vibration mode shapes may be obtained by one of the procedures outlined in [C.2.1](#) to [C.2.3](#).

C.2.1 With a common exciter location, make transfer-mobility measurements for all response locations and directions of interest. Use the measured magnitude and phase data at each resonance frequency to determine the corresponding mode shapes.

NOTE Because of dynamic reciprocity, the same result should be obtained if a single response measurement location and direction were used with various exciter locations and directions (see [A.3](#) for exceptions to dynamic reciprocity).

C.2.2 Firstly, determine the resonance frequencies of the structure under test from a single mobility measurement. Then, excite the structure at each resonance frequency, one at a time. While the structure is being excited at a resonance frequency, use a single transducer to measure the magnitude and phase of the motion response at each location of interest, one at a time.

NOTE This method has the disadvantage that modes can be missed if one of their nodes happens to coincide with either the location of the vibration exciter or the location of the motion response transducer.

C.2.3 The methods described in [C.2.1](#) and [C.2.2](#) may be modified by using a separate transducer at each location of interest and a multi-channel motion response analyser or similar signal processor.

C.3 Method for obtaining rotational motion responses

A method for obtaining rotational motion responses during mobility tests that use both translational excitations and translational response measurements is described in Reference [\[16\]](#).

Bibliography

- [1] ISO 5347, *Methods for the calibration of vibration and shock pick-ups*
- [2] ISO 5348, *Mechanical vibration and shock — Mechanical mounting of accelerometers*
- [3] ISO 16063, *Methods for the calibration of vibration and shock transducers*
- [4] BROWN D., CARBON G., RAMSEY K. Survey of Excitation Techniques Applicable to the Testing of Automotive Structures, *Society of Automotive Engineers Paper No. 770029*, 1977
- [5] BOUCHE R.K. Concepts and Transducers Used in Measuring Dynamic Mass, in *Proceedings of Machinery Vibration Monitoring and Analysis Seminar*, Vibration Institute, Clarendon Hills IL, 1979
- [6] MITCHELL L.D., & ELLIOTT K.B. How to Design Stingers for Vibration Testing of Structures, *Sound and Vibration*, (18-4) April 1984: pp. 14-18
- [7] BROWNJOHN J.M.W., STEELE G.H., CAWLEY P., ADAMS R.D. Errors in Mechanical Impedance Data Obtained with Impedance Heads. *J. Sound Vibrat.* 1980, **73** pp. 461-468
- [8] REMMERS G.M., & BELSHEIM R.O. Effects of Technique on Reliability of Mechanical Impedance Measurements. *Shock and Vibration Bulletin.* 1964 Dec., **34** (Part 3) pp. 37-58
- [9] EWINS D.J. Measurement and Application of Mechanical Impedance Data, Parts 1, 2, and 3. *J. Soc. Environ. Eng.*, Vol. 14.3, 15.1 and 15.2, Dec. 1975 — June 1976
- [10] HARRIS F.J. On the Use of Windows for Harmonic Analysis with the Discrete Fourier Transform. *Proc. IEEE.* 1978, **66** pp. 51-83
- [11] BOZICH D.J. Utilization of a Digital Computer for OnLine Acquisition and Analysis of Acoustic and Vibration Data. *Shock and Vibration Bulletin.* 1966 Feb., **35** (Part 4) pp. 151-180
- [12] WALKER A.W. The Effect of Bandwidth on the Accuracy of Transfer Function Measurements of Single Degree of Freedom System Response to Random Excitation. *J. Sound Vibrat.* 1981, **74** pp. 251-263
- [13] MITCHELL L.D. Improved Methods for the Fast Fourier Transform (FFT) Calculation of the Frequency Response Function, *ASME Transactions. J. Mech. Des.* 1982, **104** pp. 277-279
- [14] BENDAT J.S., & PIERSOL A.G. *Random Data: Analysis and Measurement Procedures.* Willey-Interscience, Fourth Edition, 2010, pp. 311.
- [15] PETERSON E., & KLOSTERMAN A. Obtaining Good Results from an Experimental Modal Survey. *J. Soc. Environ. Eng.* (**17-1**), Mar. 1978: pp. 3-10
- [16] SATTINGER S.S. A Method for Experimentally Determining Rotational Mobilities of Structures. *Shock and Vibration Bulletin.* 1980, **50** (Part 2) pp. 17-28

British Standards Institution (BSI)

BSI is the national body responsible for preparing British Standards and other standards-related publications, information and services.

BSI is incorporated by Royal Charter. British Standards and other standardization products are published by BSI Standards Limited.

About us

We bring together business, industry, government, consumers, innovators and others to shape their combined experience and expertise into standards-based solutions.

The knowledge embodied in our standards has been carefully assembled in a dependable format and refined through our open consultation process. Organizations of all sizes and across all sectors choose standards to help them achieve their goals.

Information on standards

We can provide you with the knowledge that your organization needs to succeed. Find out more about British Standards by visiting our website at bsigroup.com/standards or contacting our Customer Services team or Knowledge Centre.

Buying standards

You can buy and download PDF versions of BSI publications, including British and adopted European and international standards, through our website at bsigroup.com/shop, where hard copies can also be purchased.

If you need international and foreign standards from other Standards Development Organizations, hard copies can be ordered from our Customer Services team.

Subscriptions

Our range of subscription services are designed to make using standards easier for you. For further information on our subscription products go to bsigroup.com/subscriptions.

With **British Standards Online (BSOL)** you'll have instant access to over 55,000 British and adopted European and international standards from your desktop. It's available 24/7 and is refreshed daily so you'll always be up to date.

You can keep in touch with standards developments and receive substantial discounts on the purchase price of standards, both in single copy and subscription format, by becoming a **BSI Subscribing Member**.

PLUS is an updating service exclusive to BSI Subscribing Members. You will automatically receive the latest hard copy of your standards when they're revised or replaced.

To find out more about becoming a BSI Subscribing Member and the benefits of membership, please visit bsigroup.com/shop.

With a **Multi-User Network Licence (MUNL)** you are able to host standards publications on your intranet. Licences can cover as few or as many users as you wish. With updates supplied as soon as they're available, you can be sure your documentation is current. For further information, email bsmusales@bsigroup.com.

BSI Group Headquarters

389 Chiswick High Road London W4 4AL UK

Revisions

Our British Standards and other publications are updated by amendment or revision.

We continually improve the quality of our products and services to benefit your business. If you find an inaccuracy or ambiguity within a British Standard or other BSI publication please inform the Knowledge Centre.

Copyright

All the data, software and documentation set out in all British Standards and other BSI publications are the property of and copyrighted by BSI, or some person or entity that owns copyright in the information used (such as the international standardization bodies) and has formally licensed such information to BSI for commercial publication and use. Except as permitted under the Copyright, Designs and Patents Act 1988 no extract may be reproduced, stored in a retrieval system or transmitted in any form or by any means – electronic, photocopying, recording or otherwise – without prior written permission from BSI. Details and advice can be obtained from the Copyright & Licensing Department.

Useful Contacts:

Customer Services

Tel: +44 845 086 9001

Email (orders): orders@bsigroup.com

Email (enquiries): cservices@bsigroup.com

Subscriptions

Tel: +44 845 086 9001

Email: subscriptions@bsigroup.com

Knowledge Centre

Tel: +44 20 8996 7004

Email: knowledgecentre@bsigroup.com

Copyright & Licensing

Tel: +44 20 8996 7070

Email: copyright@bsigroup.com



...making excellence a habit.™