

BS ISO 7619-2:2010



BSI Standards Publication

Rubber, vulcanized or thermoplastic — Determination of indentation hardness

Part 2: IRHD pocket meter method

NO COPYING WITHOUT BSI PERMISSION EXCEPT AS PERMITTED BY COPYRIGHT LAW

raising standards worldwide[™]

Copyright British Standards Institution
Provided by IHS under license with BSI - Uncontrolled Copy
No reproduction or networking permitted without license from IHS

Not for Resale



National foreword

This British Standard is the UK implementation of ISO 7619-2:2010. It supersedes BS ISO 7619-2:2004 which is withdrawn.

The UK participation in its preparation was entrusted to Technical Committee PRI/22, Physical testing of rubber.

A list of organizations represented on this committee can be obtained on request to its secretary.

This publication does not purport to include all the necessary provisions of a contract. Users are responsible for its correct application.

© BSI 2010

ISBN 978 0 580 65432 9

ICS 83.060

Compliance with a British Standard cannot confer immunity from legal obligations.

This British Standard was published under the authority of the Standards Policy and Strategy Committee on 31 October 2010.

Amendments issued since publication

Date	Text affected
------	---------------

**Rubber, vulcanized or thermoplastic —
Determination of indentation hardness —**

**Part 2:
IRHD pocket meter method**

*Caoutchouc vulcanisé ou thermoplastique — Détermination de la dureté
par pénétration —*

Partie 2: Méthode au duromètre de poche étalonné en DIDC



Reference number
ISO 7619-2:2010(E)

© ISO 2010

PDF disclaimer

This PDF file may contain embedded typefaces. In accordance with Adobe's licensing policy, this file may be printed or viewed but shall not be edited unless the typefaces which are embedded are licensed to and installed on the computer performing the editing. In downloading this file, parties accept therein the responsibility of not infringing Adobe's licensing policy. The ISO Central Secretariat accepts no liability in this area.

Adobe is a trademark of Adobe Systems Incorporated.

Details of the software products used to create this PDF file can be found in the General Info relative to the file; the PDF-creation parameters were optimized for printing. Every care has been taken to ensure that the file is suitable for use by ISO member bodies. In the unlikely event that a problem relating to it is found, please inform the Central Secretariat at the address given below.



COPYRIGHT PROTECTED DOCUMENT

© ISO 2010

All rights reserved. Unless otherwise specified, no part of this publication may be reproduced or utilized in any form or by any means, electronic or mechanical, including photocopying and microfilm, without permission in writing from either ISO at the address below or ISO's member body in the country of the requester.

ISO copyright office
Case postale 56 • CH-1211 Geneva 20
Tel. + 41 22 749 01 11
Fax + 41 22 749 09 47
E-mail copyright@iso.org
Web www.iso.org

Published in Switzerland

Contents

Page

Foreword	iv
Introduction.....	v
1 Scope	1
2 Normative references	1
3 Principle.....	1
4 Apparatus	2
4.1 IRHD pocket hardness meter	2
5 Test pieces	2
5.1 General	2
5.2 Thickness	3
5.3 Surface.....	3
6 Conditioning and test temperature.....	3
7 Procedure	3
7.1 General	3
7.2 Test time	3
7.3 Number of measurements	3
8 Calibration and checking.....	4
8.1 Calibration	4
8.2 Checking using standard rubber blocks.....	4
9 Test report.....	4
Bibliography.....	5

Foreword

ISO (the International Organization for Standardization) is a worldwide federation of national standards bodies (ISO member bodies). The work of preparing International Standards is normally carried out through ISO technical committees. Each member body interested in a subject for which a technical committee has been established has the right to be represented on that committee. International organizations, governmental and non-governmental, in liaison with ISO, also take part in the work. ISO collaborates closely with the International Electrotechnical Commission (IEC) on all matters of electrotechnical standardization.

International Standards are drafted in accordance with the rules given in the ISO/IEC Directives, Part 2.

The main task of technical committees is to prepare International Standards. Draft International Standards adopted by the technical committees are circulated to the member bodies for voting. Publication as an International Standard requires approval by at least 75 % of the member bodies casting a vote.

Attention is drawn to the possibility that some of the elements of this document may be the subject of patent rights. ISO shall not be held responsible for identifying any or all such patent rights.

ISO 7619-2 was prepared by Technical Committee ISO/TC 45, *Rubber and rubber products*, Subcommittee SC 2, *Testing and analysis*.

This second edition cancels and replaces the first edition (ISO 7619-2:2004), which has been technically revised to update the references to ISO 18898 for instrument calibration and ISO 23529 for the preparation of test pieces.

ISO 7619 consists of the following parts, under the general title *Rubber, vulcanized or thermoplastic — Determination of indentation hardness*:

- *Part 1: Durometer method (Shore hardness)*
- *Part 2: IRHD pocket meter method*

Introduction

The hardness of rubber, as measured by an IRHD pocket meter or a Shore durometer, is determined from the complex response of the rubber to an applied indentation. An IRHD pocket meter is a portable hand-held durometer calibrated to measure on the IRHD scale. The measurement will depend upon:

- a) the elastic modulus of the rubber;
- b) the viscoelastic properties of the rubber;
- c) the thickness of the test piece;
- d) the geometry of the indenter;
- e) the pressure exerted;
- f) the rate of increase of pressure;
- g) the interval after which the hardness is recorded.

Because of these factors, it is inadvisable to relate results obtained using an IRHD pocket meter directly to Shore durometer hardness values, although correlations have been established for some individual rubbers and compounds.

NOTE Further information on the relationship between the durometer values and IRHD values is given in the literature^{[3][4][5]}.

Rubber, vulcanized or thermoplastic — Determination of indentation hardness —

Part 2: IRHD pocket meter method

WARNING — Persons using this part of ISO 7619 should be familiar with normal laboratory practice. This part of ISO 7619 does not purport to address all of the safety problems, if any, associated with its use. It is the responsibility of the user to establish appropriate safety and health practices and to ensure compliance with any national regulatory conditions.

CAUTION — Certain procedures specified in this part of ISO 7619 may involve the use or generation of substances, or the generation of waste, that could constitute a local environmental hazard. Reference should be made to appropriate documentation on safe handling and disposal after use.

1 Scope

This part of ISO 7619 specifies a method for determining the indentation hardness of vulcanized or thermoplastic rubber by means of a pocket hardness meter calibrated in IRHD. The use of such meters is primarily intended for control, not specification, purposes (for specification, see ISO 48). It is possible to increase precision by fixing the pocket hardness meter on a support.

2 Normative references

The following referenced documents are indispensable for the application of this document. For dated references only the edition cited applies. For undated references, the latest edition of the referenced document (including any amendments) applies.

ISO 48, *Rubber, vulcanized or thermoplastic — Determination of hardness (hardness between 10 IRHD and 100 IRHD)*

ISO 18898, *Rubber — Calibration and verification of hardness testers*

ISO 23529, *Rubber — General procedures for preparing and conditioning test pieces for physical test methods*

3 Principle

The measured property is the depth of penetration of a specified indenter forced into the material under specified conditions.

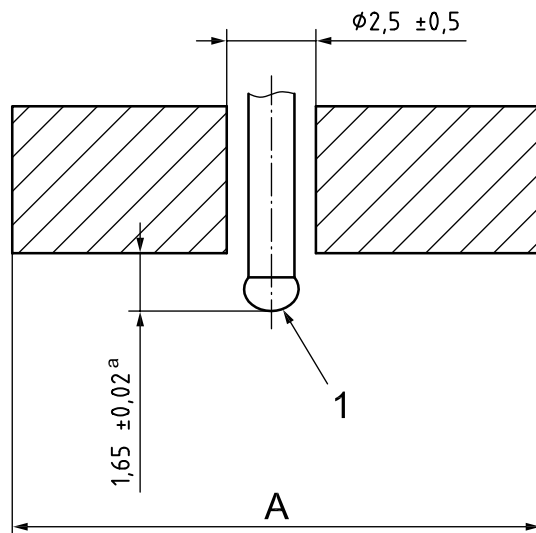
4 Apparatus

4.1 IRHD pocket hardness meter

4.1.1 Pressure foot

The pressure foot (see A in Figure 1) shall be square with sides $20\text{ mm} \pm 2,5\text{ mm}$ long or circular with a diameter of $22,5\text{ mm} \pm 2,5\text{ mm}$. It shall have a central hole of diameter $2,5\text{ mm} \pm 0,5\text{ mm}$ (see Figure 1).

Dimensions in millimetres



Key

1 hemispherical (diameter $1,575\text{ mm} \pm 0,025\text{ mm}$)

^a Valid at 30 IRHD.

Figure 1 — Indentor for IRHD pocket meter

4.1.2 Indentor

The indenter end shall be hemispherical, with a diameter of $1,575\text{ mm} \pm 0,025\text{ mm}$ (see Figure 1).

4.1.3 Indicating device

This device allows the extent of protrusion of the indenter beyond the face of the pressure foot to be read. It shall be calibrated directly in terms of IRHD from the value 30 for the maximum protrusion of 1,65 mm to the value 100 for zero protrusion obtained by placing the pressure foot and indenter in firm contact with a flat and hard surface (e.g. glass).

4.1.4 Calibrated spring

This shall be used to apply a substantially constant force to the indenter of $2,65\text{ N} \pm 0,15\text{ N}$ over the 30 IRHD to 100 IRHD range.

5 Test pieces

5.1 General

Test pieces shall be prepared in accordance with ISO 23529.

5.2 Thickness

For the determination of hardness by pocket hardness meters, the thickness of the test piece shall be at least 6 mm.

For sheets thinner than 6 mm, the test piece may be composed of not more than three layers, none of which shall be thinner than 2 mm, in order to obtain the necessary thickness. However, determinations made on such test pieces might not agree with those made on single-thickness pieces.

For comparative-test purposes, the test pieces shall be similar.

5.3 Surface

The other dimensions of the test piece shall be sufficient to permit measurements at least 12 mm away from any edge. The surface of the test piece shall be flat over the area in contact with the pressure foot.

Satisfactory hardness determinations cannot be made on rounded, uneven or rough surfaces using pocket meters. However, their use in certain specialized applications is recognized, e.g. ISO 7267-1^[2] for the determination of the hardness of rubber-covered rolls. In such applications, the limitations to their use shall be clearly identified.

6 Conditioning and test temperature

Where practical, test pieces shall be conditioned immediately before testing for a minimum period of 1 h at one of the standard laboratory temperatures specified in ISO 23529. The same temperature shall be used throughout any single test or series of tests intended to be comparable.

7 Procedure

7.1 General

Place the test piece on a flat, hard, rigid surface (e.g. glass). Hold the hardness meter in position with the centre of the indenter at least 12 mm from the edges of the test piece. Apply the pressure foot to the test piece as rapidly as possible, without shock, keeping the foot parallel to the surface of the test piece and ensuring that the indenter is normal to the rubber surface.

7.2 Test time

Apply a force sufficient only to obtain firm contact between the pressure foot and the test piece and take the reading at the specified time after the pressure foot is in firm contact with the test piece. The standard test time is 3 s for vulcanized rubber and 15 s for thermoplastic rubber. Other test times may be used, provided they are stated in the test report. Rubbers of unknown types shall be treated as vulcanized.

NOTE A test time of 15 s has been introduced for thermoplastic rubber, as the hardness value continues to decrease over a longer period of time than for vulcanized rubber, this test time being the same as that specified for plastics in ISO 868^[1].

7.3 Number of measurements

Make five measurements of hardness at different positions on the test piece at least 6 mm apart and determine the median value.

If the time interval after which each reading was taken is different from 3 s, record the individual values of the indentation hardness together with the time interval after which each reading was taken, and determine the median value and the maximum and minimum values obtained.

8 Calibration and checking

8.1 Calibration

The instrument shall be adjusted and calibrated in accordance with ISO 18898.

8.2 Checking using standard rubber blocks¹⁾

Press the instrument against a suitable flat, hard surface (e.g. glass) and adjust the reading on the scale to give a value of 100 IRHD. Continue the instrument check using a set of standard rubber blocks covering the measurement range from about 30 IRHD to 90 IRHD. All adjustments shall be made in accordance with the manufacturer's instructions. The set of standard rubber blocks shall consist of at least six test pieces kept lightly dusted with talc in a suitable covered container away from light, heat, oil and grease. The standard rubbers shall themselves be calibrated against the dead-load gauge by the method specified in ISO 48 at intervals not exceeding 1 year or when a drift in excess of 1 unit is observed. Instruments in regular use should be checked at least each week against standard rubber blocks.

9 Test report

The test report shall include the following information:

- a) sample details:
 - 1) a full description of the sample and its origin,
 - 2) a description of the test piece, including its thickness and, in the case of a composite test piece, the number of layers;
- b) the test method used, i.e. the reference number of this part of ISO 7619;
- c) test details:
 - 1) the temperature of the test, and the relative humidity when the hardness of the material is dependent on the humidity,
 - 2) the type of instrument used,
 - 3) the time which elapsed between the preparation of the test piece and the measurement of its hardness,
 - 4) details of any deviation from the standard procedure,
 - 5) details of any operations not specified in this part of ISO 7619 and any incidents likely to have had an influence on the results;
- d) the test result, expressed as a whole number, e.g. 75 IRHD;
- e) the date of the test.

1) Standard rubber hardness blocks are available from a number of instrument manufacturers and accredited test laboratories.

Bibliography

- [1] ISO 868, *Plastics and ebonite — Determination of indentation hardness by means of a durometer (Shore hardness)*
- [2] ISO 7267-1, *Rubber-covered rollers — Determination of apparent hardness — Part 1: IRHD method*
- [3] BROWN, R.P., *Physical testing of rubber*, Chapman and Hall, London, 2006
- [4] OBERTO, S., *Rubber Chemistry Technology*, 1955, 28, 1054
- [5] JUVE, A.E., *Rubber Chemistry Technology*, 1957, 30, 367

ICS 83.060

Price based on 5 pages

British Standards Institution (BSI)

BSI is the independent national body responsible for preparing British Standards and other standards-related publications, information and services.

It presents the UK view on standards in Europe and at the international level.

It is incorporated by Royal Charter.

Revisions

British Standards are updated by amendment or revision. Users of British Standards should make sure that they possess the latest amendments or editions.

It is the constant aim of BSI to improve the quality of our products and services. We would be grateful if anyone finding an inaccuracy or ambiguity while using this British Standard would inform the Secretary of the technical committee responsible, the identity of which can be found on the inside front cover.

Tel: +44 (0)20 8996 9001 Fax: +44 (0)20 8996 7001

BSI offers Members an individual updating service called PLUS which ensures that subscribers automatically receive the latest editions of standards.

Tel: +44 (0)20 8996 7669 Fax: +44 (0)20 8996 7001

Email: plus@bsigroup.com

Buying standards

You may buy PDF and hard copy versions of standards directly using a credit card from the BSI Shop on the website www.bsigroup.com/shop. In addition all orders for BSI, international and foreign standards publications can be addressed to BSI Customer Services.

Tel: +44 (0)20 8996 9001 Fax: +44 (0)20 8996 7001

Email: orders@bsigroup.com

In response to orders for international standards, it is BSI policy to supply the BSI implementation of those that have been published as British Standards, unless otherwise requested.

Information on standards

BSI provides a wide range of information on national, European and international standards through its Knowledge Centre.

Tel: +44 (0)20 8996 7004 Fax: +44 (0)20 8996 7005

Email: knowledgecentre@bsigroup.com

Various BSI electronic information services are also available which give details on all its products and services.

Tel: +44 (0)20 8996 7111 Fax: +44 (0)20 8996 7048

Email: info@bsigroup.com

BSI Subscribing Members are kept up to date with standards developments and receive substantial discounts on the purchase price of standards. For details of these and other benefits contact Membership Administration.

Tel: +44 (0)20 8996 7002 Fax: +44 (0)20 8996 7001

Email: membership@bsigroup.com

Information regarding online access to British Standards via British Standards Online can be found at www.bsigroup.com/BSOL

Further information about BSI is available on the BSI website at www.bsigroup.com/standards

Copyright

Copyright subsists in all BSI publications. BSI also holds the copyright, in the UK, of the publications of the international standardization bodies. Except as permitted under the Copyright, Designs and Patents Act 1988 no extract may be reproduced, stored in a retrieval system or transmitted in any form or by any means – electronic, photocopying, recording or otherwise – without prior written permission from BSI. This does not preclude the free use, in the course of implementing the standard of necessary details such as symbols, and size, type or grade designations. If these details are to be used for any other purpose than implementation then the prior written permission of BSI must be obtained. Details and advice can be obtained from the Copyright & Licensing Manager.

Tel: +44 (0)20 8996 7070

Email: copyright@bsigroup.com

BSI Group Headquarters

389 Chiswick High Road London W4 4AL UK

Tel +44 (0)20 8996 9001

Fax +44 (0)20 8996 7001

www.bsigroup.com/standards

raising standards worldwide[™]

Copyright British Standards Institution
Provided by IHS under license with BSI - Uncontrolled Copy
No reproduction or networking permitted without license from IHS

Not for Resale

