



BSI Standards Publication

Implants for surgery — Partial and total hip joint prostheses

Part 4: Determination of endurance
properties and performance of stemmed
femoral components

National foreword

This British Standard is the UK implementation of ISO 7206-4:2010. It supersedes BS ISO 7206-4:2002 which is withdrawn.

The UK participation in its preparation was entrusted to Technical Committee CH/150/4, Surgical Implants - Bone and Joint Replacements.

A list of organizations represented on this committee can be obtained on request to its secretary.

This publication does not purport to include all the necessary provisions of a contract. Users are responsible for its correct application.

© BSI 2010

ISBN 978 0 580 53628 1

ICS 11.040.40

Compliance with a British Standard cannot confer immunity from legal obligations.

This British Standard was published under the authority of the Standards Policy and Strategy Committee on 31 July 2010

Amendments issued since publication

Date	Text affected
------	---------------

**Implants for surgery — Partial and total
hip joint prostheses —**

Part 4:

**Determination of endurance properties
and performance of stemmed femoral
components**

*Implants chirurgicaux — Prothèses partielles et totales de l'articulation
de la hanche —*

*Partie 4: Détermination des propriétés d'endurance et des
performances des tiges fémorales*



PDF disclaimer

This PDF file may contain embedded typefaces. In accordance with Adobe's licensing policy, this file may be printed or viewed but shall not be edited unless the typefaces which are embedded are licensed to and installed on the computer performing the editing. In downloading this file, parties accept therein the responsibility of not infringing Adobe's licensing policy. The ISO Central Secretariat accepts no liability in this area.

Adobe is a trademark of Adobe Systems Incorporated.

Details of the software products used to create this PDF file can be found in the General Info relative to the file; the PDF-creation parameters were optimized for printing. Every care has been taken to ensure that the file is suitable for use by ISO member bodies. In the unlikely event that a problem relating to it is found, please inform the Central Secretariat at the address given below.



COPYRIGHT PROTECTED DOCUMENT

© ISO 2010

All rights reserved. Unless otherwise specified, no part of this publication may be reproduced or utilized in any form or by any means, electronic or mechanical, including photocopying and microfilm, without permission in writing from either ISO at the address below or ISO's member body in the country of the requester.

ISO copyright office
Case postale 56 • CH-1211 Geneva 20
Tel. + 41 22 749 01 11
Fax + 41 22 749 09 47
E-mail copyright@iso.org
Web www.iso.org

Published in Switzerland

Contents

Page

Foreword	iv
Introduction.....	v
1 Scope	1
2 Normative references	1
3 Terms and definitions	1
4 Principle.....	2
5 Materials	2
5.1 Embedding material	2
5.2 Fluid test medium	2
6 Apparatus	2
7 Selection of test specimens	3
8 Procedure	3
9 Endurance performance	5
10 Test report.....	6
11 Disposal of test specimens	6
Annex A (informative) Examples of specimen orientation	7
Bibliography.....	13

Foreword

ISO (the International Organization for Standardization) is a worldwide federation of national standards bodies (ISO member bodies). The work of preparing International Standards is normally carried out through ISO technical committees. Each member body interested in a subject for which a technical committee has been established has the right to be represented on that committee. International organizations, governmental and non-governmental, in liaison with ISO, also take part in the work. ISO collaborates closely with the International Electrotechnical Commission (IEC) on all matters of electrotechnical standardization.

International Standards are drafted in accordance with the rules given in the ISO/IEC Directives, Part 2.

The main task of technical committees is to prepare International Standards. Draft International Standards adopted by the technical committees are circulated to the member bodies for voting. Publication as an International Standard requires approval by at least 75 % of the member bodies casting a vote.

Attention is drawn to the possibility that some of the elements of this document may be the subject of patent rights. ISO shall not be held responsible for identifying any or all such patent rights.

ISO 7206-4 was prepared by Technical Committee ISO/TC 150, *Implants for surgery*, Subcommittee SC 4, *Bone and joint replacements*.

This third edition cancels and replaces the second edition (ISO 7206-4:2002), which has been technically revised (see **Introduction**).

ISO 7206 consists of the following parts, under the general title *Implants for surgery — Partial and total hip joint prostheses*:

- *Part 1: Classification and designation of dimensions*
- *Part 2: Articulating surfaces made of metallic, ceramic and plastics materials*
- *Part 4: Determination of endurance properties and performance of stemmed femoral components*
- *Part 6: Determination of endurance properties of head and neck region of stemmed femoral components*
- *Part 8: Endurance performance of stemmed femoral components with application of torsion*
- *Part 10: Determination of resistance to static load of modular femoral heads*

A future part 12 will cover deformation testing for acetabular cups.

Introduction

Some aspects of the prior editions of ISO 7206-4 were not sufficiently described and some parts of the test method did not reflect the current test practice as shown below.

- a) Test conditions for anteverted stems will result in a significant decrease of the medial-lateral bending forces. This reflects the “best case” test condition in comparison to “worst case” conditions for non-anteverted stems and will lead to test results not reflecting the high forces in the human body, because the rotated position is not considered.
- b) Specific test conditions for stemmed femoral components with CT distance ≤ 120 mm are not considered.

NOTE The dimension CT is the distance between the centre of the femoral head, C, and the most distal point of the stem, T.

- c) Changes in the potting level in comparison to ISO 7206-4:2002 without changes in the corresponding performance standard ISO 7206-8.

In order to overcome these disadvantages it was proposed to define the test conditions for three types of stem length, to describe the test procedure and stem axis definition particularly for anteverted stems more precisely and to harmonize the test conditions with the endurance performance of ISO 7206-8.

This edition in some respects allows more accurate and easier handling by the test laboratories and defines a clear separation of stemmed femoral components into three categories:

- stems with CT distance ≤ 120 mm;
- stems with CT distance $120 \text{ mm} < \text{CT} \leq 250$ mm;
- stems with CT distance > 250 mm.

It includes performance criteria for these components. This will lead to a higher acceptance of the test method and more reproducible test results.

Implants for surgery — Partial and total hip joint prostheses —

Part 4:

Determination of endurance properties and performance of stemmed femoral components

1 Scope

This part of ISO 7206 specifies a test method for determining the endurance properties of stemmed femoral components of total hip joint prostheses and stemmed femoral components used alone in partial hip joints under specified laboratory conditions. It also defines the conditions of testing so that the important parameters that affect the components are taken into account, and describes how the specimen is set up for testing.

Furthermore, this part of ISO 7206 specifies the test parameters and the requirements for the endurance limit of stemmed femoral components tested in accordance with this document. The value of the endurance limit test forces and the corresponding number of load cycles are specified.

This test method has been developed for prostheses that have a plane of symmetry, that have preformed anteversion and/or antetorsion and/or double curvature of the stem.

This part of ISO 7206 does not cover methods of examining the test specimen after testing; these should be agreed between the test laboratory and the party submitting the specimen for test.

For tests on modular stemmed femoral components a fluid to surround the component during the test is specified.

2 Normative references

The following referenced documents are indispensable for the application of this document. For dated references, only the edition cited applies. For undated references, the latest edition of the referenced document (including any amendments) applies.

ISO 3696, *Water for analytical laboratory use — Specification and test methods*

ISO 4965, *Axial load fatigue testing machines — Dynamic force calibration — Strain gauge technique*

ISO 7206-1 *Implants for surgery — Partial and total hip joint prostheses — Part 1: Classification and designation of dimensions*

3 Terms and definitions

For the purposes of this document, the terms and definitions given in ISO 7206-1 and the following apply.

3.1

modular neck stem

stem designed to be used with a separate femoral neck that has a self-locking taper that connects with a mating taper on the most proximal aspect of the stem

3.2 endurance limit

F_D
maximum value of the cyclic test force applied for N_D cycles after which the specimen is unbroken and undeformed (see Table 2)

3.3 endurance cycles

N_D
prescribed number of cycles of the test force

4 Principle

The lower portion of the test specimen is embedded in a solid medium and a cyclic load is applied to the head of the test specimen to produce axial compression, two-plane bending and torsion until the specimen exhibits failure or until the prescribed number of cycles has been attained. The specimen is subsequently examined for defects caused by the loading regime.

NOTE Methods of examining the test specimen should be agreed between the test laboratory and the party submitting the specimen for test.

5 Materials

5.1 Embedding material

Embedding medium, i.e. a casting medium, which shall:

- a) not break under the load applied during testing;
- b) not exhibit excessive deformation or creep;
- c) be reproducible in strength and other characteristics.

NOTE The media that appear satisfactory are acrylic bone cement (see ISO 5833), filled epoxy casting resin and liquid metal alloy. The media should have a modulus of elasticity between 2 000 N/mm² and 6 000 N/mm².

5.2 Fluid test medium

A 9,0 g/l solution of analytical grade sodium chloride (NaCl) in distilled or deionized water of grade 3 as specified in ISO 3696.

6 Apparatus

6.1 Testing machine, having the following characteristics:

- a) ability to apply a cyclic load according to Clause 9 at a frequency of between 1 Hz and 30 Hz;
- b) error in applied load: no greater than ± 2 % of maximum load as specified in ISO 4965;
- c) dynamic loading waveform: sinusoidal at the primary frequency;
- d) instrumentation to monitor the values of the maximum and minimum loads and the vertical deflection of the test specimen to a tolerance of $\pm 0,2$ mm, to stop the machine if deflection exceeds a prescribed value and to record the corresponding number of cycles or the elapsed time of operation.

6.2 Specimen holders, that have a construction and dimensions to suit the testing machine and test specimens. An example of a suitable holder is shown in Figure A.1.

6.3 Fluid container, for tests on modular stemmed femoral components where the container surrounds the test specimen and contains the test fluid together with means of heating and aerating it.

6.4 Device to grip the test specimen by the head or neck, which retains the specimen in the orientation specified in 8.3 during embedding. An example of a suitable device to grip the head of the specimen is shown in Figure A.2.

6.5 Means of loading the test specimen, which maintains loading through the centre of the head of the specimen, along the axis of the testing machine, and which incorporates a low-friction mechanism that minimizes loads not coincident with the axis of the testing machine (see Figure A.1). The frictional moment of the articulation between head and loading mechanism can significantly influence the test results. Two different loading mechanisms found suitable are shown in Figure A.1.

NOTE 1 Attention is drawn to the importance of lubricating the loading mechanism correctly during testing. The use of ceramic heads in combination with the metal plate loading might cause sudden head fractures and is not recommended.

NOTE 2 Thrust bearings used as a low-friction mechanism should be carefully designed. Thrust bearings will tend to migrate under the fatigue load. If the bearing ends up against a significant retaining mechanism such as a lip or post, it no longer functions as a low friction mechanism. It can, in this condition, actually apply a back force perpendicular to the main load that can significantly decrease the bending forces in the stem.

7 Selection of test specimens

Test specimens shall be selected as a batch of six and shall be technically equivalent to the implantable product. The combination of hip stem and head to be tested should be the “worst case” expected to produce the highest levels of stress in the stem.

8 Procedure

8.1 Measure the distance between the centre of the head and the most distal point of the stem, length CT, as shown in Figures A.3 to A.6.

For all stems (i.e. monobloc and modular), a head with a neck length considering the worst case scenario shall be used for the measurement of the length CT, measurements associated with defining the axis of the distal stem, orientation of the stem in the potting medium, determination of the location of the potting level and testing.

8.2 Define the axis of the distal stem as the stem axis joining the centres of cross-sections as described in Figures A.3 to A.6.

For femoral stem components with a CT distance < 120 mm it is possible that the line KL coincides with the intended alignment of the stem relative to the femoral bone axis. In such a case, position the distal region of the stem of the implant along a virtual axis defined by the shape of the proximal region of an implant as shown in Figure A.5.

8.3 Hold the head or neck of the test specimen by means of the gripping device (6.4) and position the specimen so that the axis KL of the stem or the virtual stem axis of the short stem hip joint component is oriented at angles α and β as given in Table 1 for all stem lengths as shown in:

- Figures A.3 and A.4 for a stemmed femoral component with a CT distance $120 \text{ mm} < CT \leq 250 \text{ mm}$;
- Figure A.5 for a stemmed femoral component with a CT distance $\leq 120 \text{ mm}$;
- Figure A.6 for a stemmed femoral component with a CT distance $> 250 \text{ mm}$.

For an anteverted/curved stem (Figure A.4) the stem shall be rotated about the stem axis KL by an angle equal to the angle of anteversion with a tolerance of $\pm 1^\circ$.

8.4 Mount the holder and specimen in the gripping device (6.4) so that the load line of the testing machine intersects point C of the specimen, as designated in ISO 7206-1. Clamp the holder firmly in position and ensure that the correct orientation of the specimen is maintained.

NOTE 1 The angles α and β should be measured relative to the load line of the test machine.

NOTE 2 It is essential that the neck of the prosthesis is not marked or damaged during this installation process because damage can affect the endurance properties. Damage to the head of the prosthesis should also be avoided as this can increase the friction between the head and the loading system during testing.

8.5 Embed the specimen in the embedding medium (5.1) in the holder (6.2) so that the upper surface of the potting medium is at a distance D below the centre of the head. The dimension D is shown in Table 1.

Table 1 — Parameters for test set-up

Parameter	Tolerance	Stem length		
		≤ 120	$120 < CT \leq 250$	> 250
CT (mm)	± 2	≤ 120	$120 < CT \leq 250$	> 250
D (mm)	± 2	$0,66 \times CT$	80	$CT-100$
α ($^\circ$)	$\pm 1,0$	10	10	0
β ($^\circ$)	$\pm 1,0$	9	9	4

NOTE 1 For stems that are intended for revision cases where there has been significant proximal loss of support at the time of implantation, an additional test is recommended using a potting level at a distance below the centre of the head of the prosthesis, which corresponds to the maximum proximal bone loss for which the revision stem is intended to treat, as recommended by the manufacturer.

NOTE 2 It might be necessary to adjust the potting level so that stress risers (e.g. stems with design features such as slots, ribs, changes in material/material coatings, or surface characteristics) that are near the potting level are above the potting level.

8.6 Support the test specimen in position until the embedding medium has hardened sufficiently to support the specimen unaided. Do not start testing until the embedding medium has fully hardened.

NOTE In a few cases (circular or slightly elliptical cross-sections of stem) an additional rotational stabilization may be used. This stabilization should fix only the tip of the stem.

8.7 Implants having non-modular stems shall be tested at room temperature under dry conditions. For testing implants that have modular femoral stems, add fluid test medium (5.2) to the fluid container so as to cover all of the modular femoral stems' or modular neck stems' modular components above the cement level for the duration of the entire test. Maintain the temperature of the fluid test medium at $37^\circ\text{C} \pm 1^\circ\text{C}$ and continuously aerate it. These tests shall be conducted at a frequency of 5 Hz or less.

8.8 Start the testing machine and adjust it so that the desired load range is applied to the test specimen through the loading mechanism (6.5).

NOTE The value of the minimum load in the load cycle necessary for satisfactory operation of the testing machine has been found to be a force between 200 N and 300 N.

8.9 Operate the testing machine at a frequency of between 1 Hz and 30 Hz which allows the application of the prescribed load to an accuracy of $\pm 2\%$ of the load range.

NOTE The testing frequency might influence the test results for non-metallic specimens.

8.10 Measure the initial vertical load. Measure the initial vertical load axis deflection of the test sample, f . After approximately 300 test cycles, stop the test and set the cut-off switch to stop the test if the deflection exceeds $1,25 \times f$ or 5 mm, whichever is greater.

If this indication is given by the testing machine or the instrument, terminate the test. Examine the embedding medium and the specimen to determine whether the specimen has loosened in the embedding medium or permanent yield of the specimen has occurred.

8.11 Continue the test until one of the following events occurs:

- a) excess deflection as described in 8.10;
- b) fracture of the specimen;
- c) completion of the prescribed number of load cycles;
- d) inability of the testing machine to maintain the required load values.

In each case, record the number of cycles and the reason for termination of the test.

8.12 Remove the specimen from the embedding medium.

8.13 Examine the test specimen, using the methods, if any, requested by the party who submitted the specimen for testing.

8.14 Repeat the procedures stated until all of the test samples in the batch have been tested.

9 Endurance performance

The required endurance limit F_D is the load level where the specimens survive 5 000 000 cycles without failure, as shown in Table 2. The batch of specimens shall satisfy the requirements of this part of ISO 7206 if all are unbroken.

Table 2 — Parameters for testing

Kind of stem	Short, monobloc, modular neck, modular femoral		
CT (mm)	≤ 120	120 < CT ≤ 250	> 250
F_D (N)	1 200 ^a	2 300 ^b	1 200 ^c
Number of cycles	5×10^6		
Number of unbroken specimens	6		
NOTE 1 Alternative methods might be deemed to be acceptable if minimum run-out loads calculated by statistical means meet the requirements given by this part of ISO 7206 at 95 % confidence.			
NOTE 2 For modular femoral stems additional tests might be necessary.			
^a This value is not based on extensive clinical experience but given as a lower limit and may need to be adjusted upwards based on design and material considerations, and clinical experience with stems of similar design and material that have been implanted in significant numbers with a long-term (> 5 years) history with no significant numbers of fractures in the highly stressed regions evaluated by this test method.			
^b This value is based on the previous requirement in ISO 7206-8 for a stem for the average patient (in Europe). Some smaller stems in the size range (120 mm to 250 mm) and not intended for use in the average patient (in Europe) have been used clinically long-term without fracture and have not met the 2 300 N requirement. Smaller stems in this size range could have a performance requirement lower than 2 300 N when they can be shown to be as strong as stems of similar design and material, which have been implanted in significant numbers with a long-term (> 5 years) history with no significant numbers of fractures in the highly stressed regions evaluated by this test method.			
^c This value is based on limited clinical experience but given as a lower limit and may need to be adjusted upwards based on design and material considerations, and clinical experience of similar devices.			

10 Test report

The test report shall include the following information:

- a) a reference to this part of ISO 7206, i.e. ISO 7206-4:2010;
- b) the identity and a description of the test specimens, as stated by the party submitting the specimens for the test and the manufacturer's name and list reference;
- c) the head used for testing;
- d) the head offset length;
- e) the embedding medium used;
- f) the embedding level;
- g) the minimum and maximum loads applied;
- h) the loading frequency;
- i) the duration of the test, in cycles and the load levels;
- j) for each specimen in the batch, the reason why the test was terminated and whether the batch satisfied the requirements of this part of ISO 7206;
- k) a statement of results including location of fracture (if fracture occurred), description of test specimens at the end of the test, and the results of the examination;
- l) a statement justifying that the size tested was "worst case".

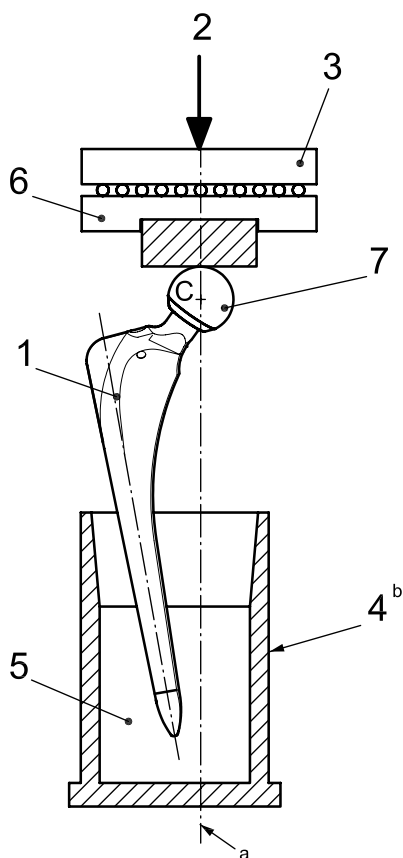
11 Disposal of test specimens

The implant component(s) shall not be used for clinical purposes after testing.

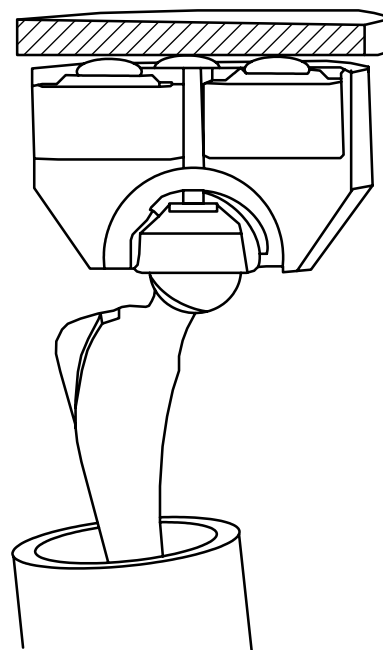
Care should be exercised in the use of the specimen for further mechanical tests because the loading regime might have altered the mechanical properties. In particular, it is recommended that the specimen not be used for further endurance testing.

Annex A (informative)

Examples of specimen orientation



a) Loading mechanism with metal plate and metal head



b) Loading mechanism with ceramic ball and socket bearing

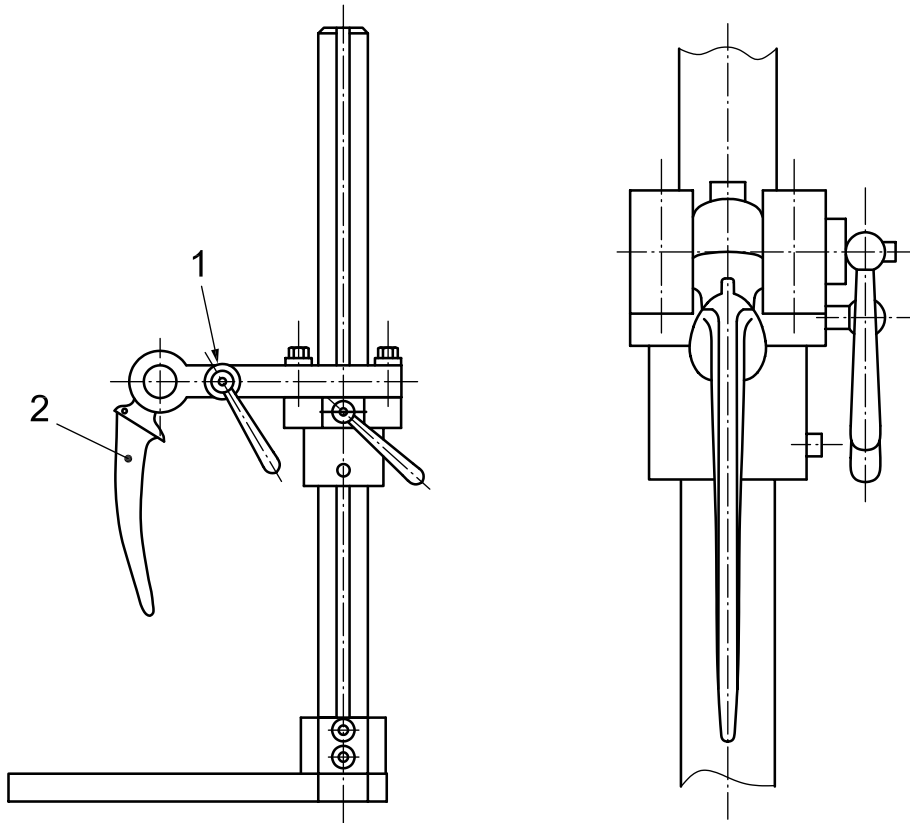
Key

- 1 test specimen
- 2 load
- 3 loading mechanism (see 6.5)
- 4 example of test specimen holder
- 5 embedding medium
- 6 metal loading plate
- 7 metal head
- C centre of femoral head

a Load line.

b Construction and dimensions of the holder to suit test specimen and testing machine.

Figure A.1 — General arrangement of specimen for testing

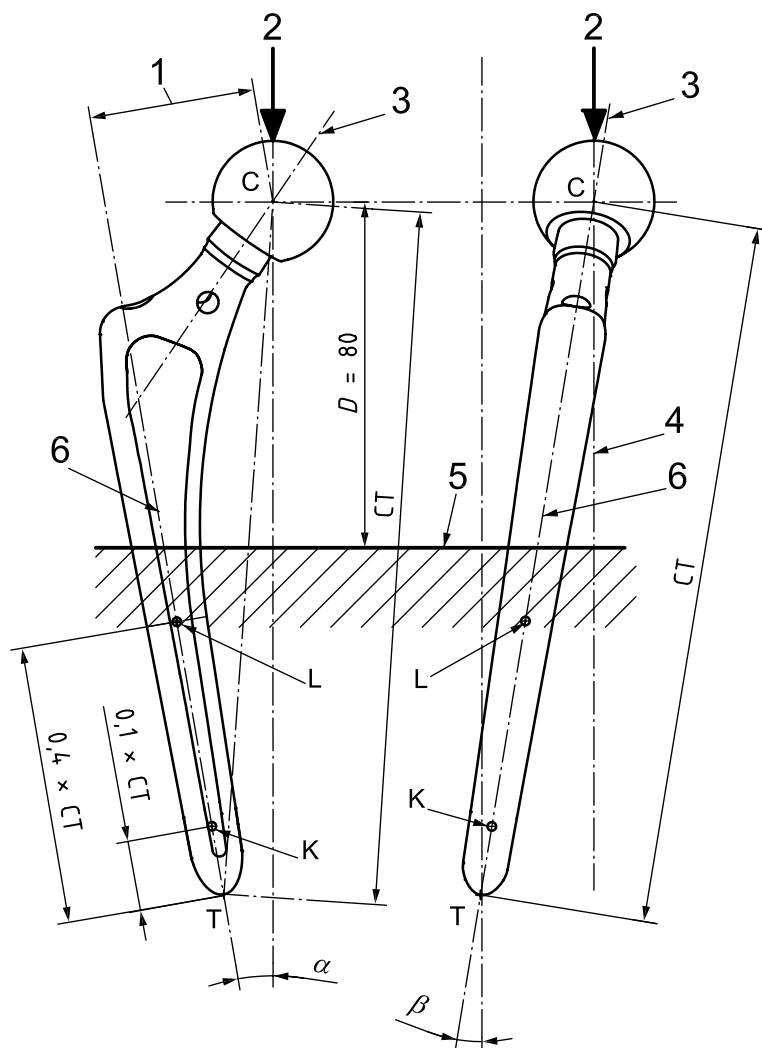


Key

- 1 clamping mechanism
- 2 test specimen

Figure A.2 — Example of a device for gripping the head of the test specimen during setting

Dimensions in millimetres

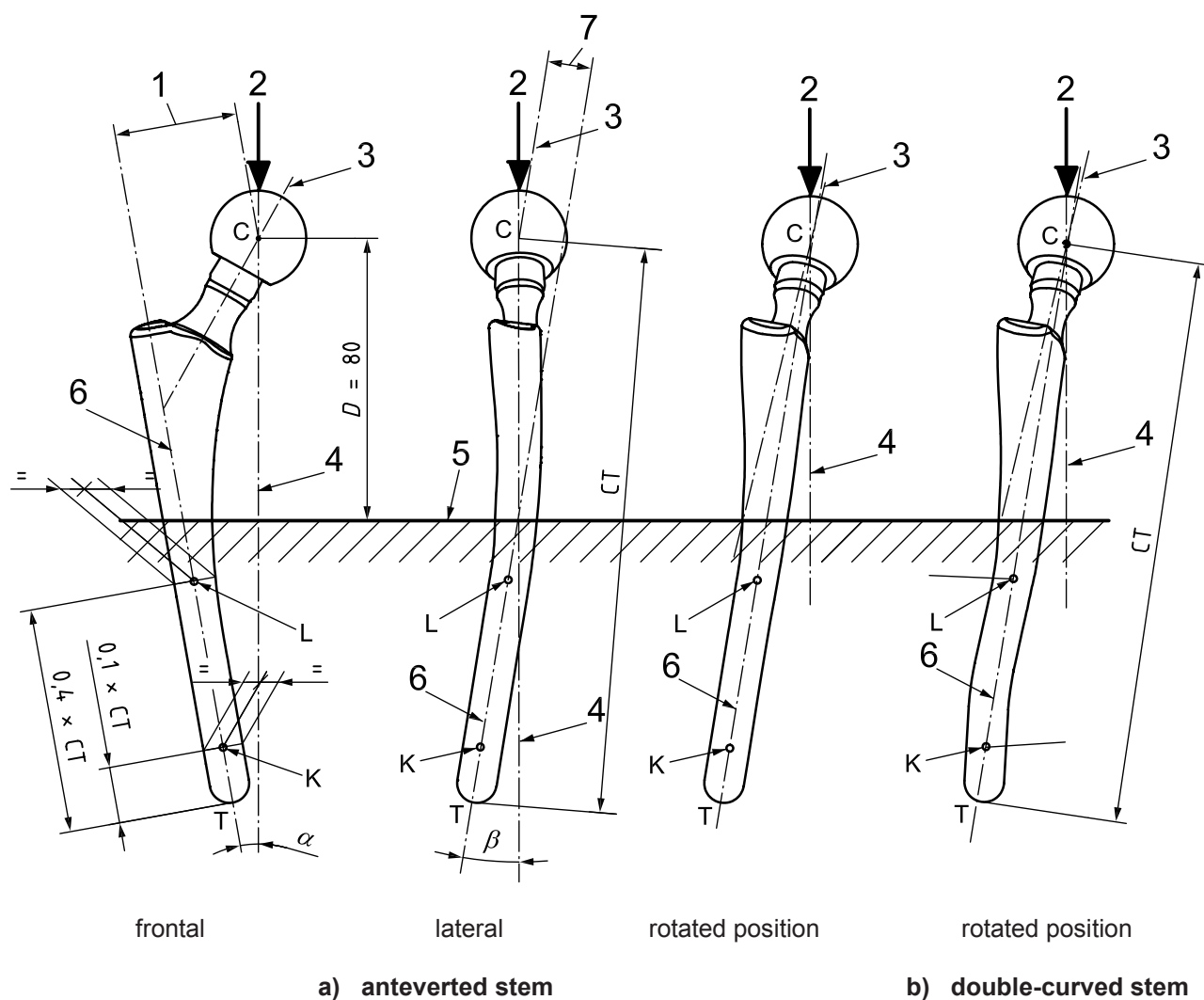


Key

- | | | | |
|---|--------------|----------|---------------------------------------------------------------------------------------------|
| 1 | head offset | T | most distal point of stem |
| 2 | load point | C | centre of head |
| 3 | neck axis | <i>D</i> | potting level |
| 4 | load axis | K, L | points at specific distances from T, which define the stem axis |
| 5 | cement level | α | angle in the frontal plane CKL between the load axis 4 and the stem axis 6 |
| 6 | stem axis KL | β | angle in the lateral plane perpendicular to CKL between the load axis 4 and the stem axis 6 |

Figure A.3 — Orientation of specimen under test — Symmetrical stems with a CT distance
 $120 \text{ mm} < CT \leq 250 \text{ mm}$

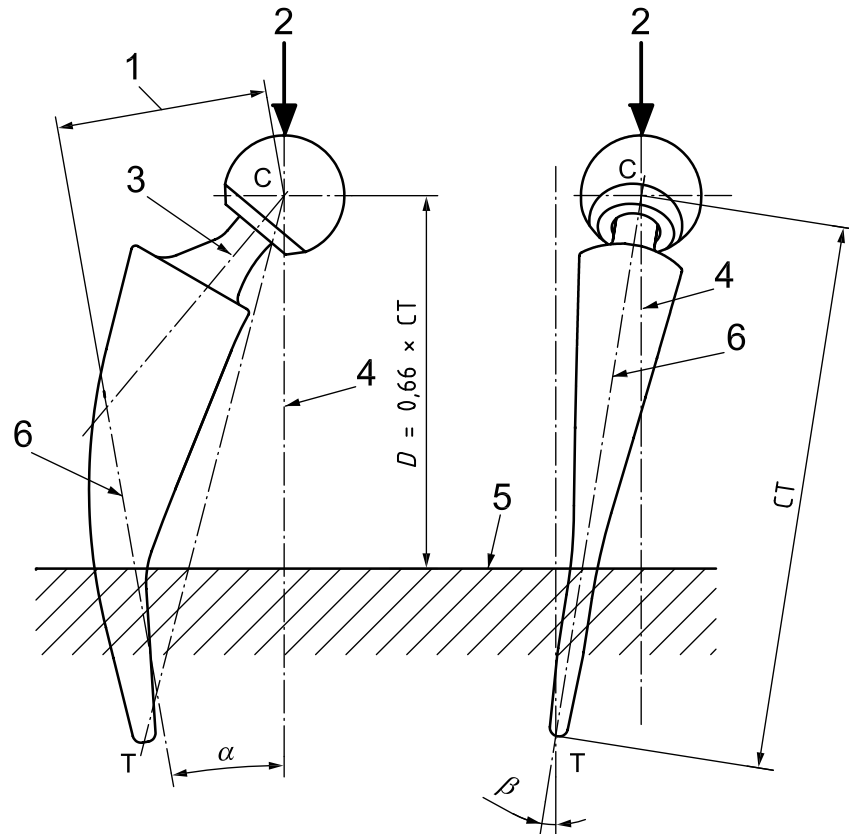
Dimensions in millimetres



Key

- | | |
|----------------------|-----------------------------------------------------------------------------------------------------|
| 1 head offset | T most distal point of stem |
| 2 load point | C centre of head |
| 3 neck axis | <i>D</i> potting level |
| 4 load axis | K, L points at specific distances from T, which define the stem axis |
| 5 cement level | α angle in the frontal plane CKL between the load axis 4 and the stem axis 6 |
| 6 stem axis KL | β angle in the lateral plane perpendicular to CKL between the load axis 4 and the stem axis 6 |
| 7 anteversion offset | |

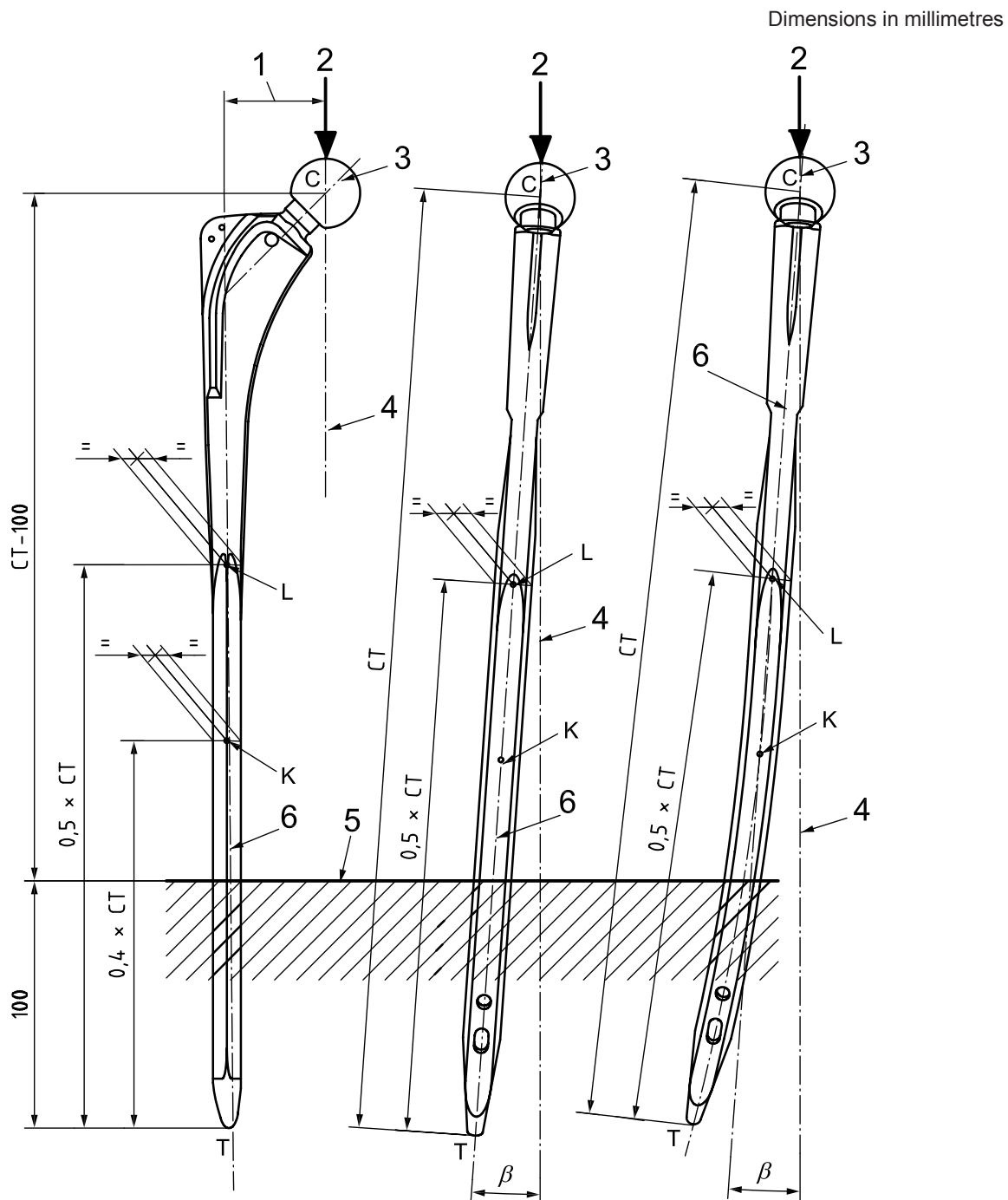
Figure A.4 — Orientation of specimen under test — Stem with a CT distance
120 mm < CT ≤ 250 mm, anteversion and double curvature



Key

- | | |
|---------------------|-------------------------------------------------------------------------------------------------------------|
| 1 head offset | T most distal point of stem |
| 2 load point | C centre of head |
| 3 neck axis | <i>D</i> potting level |
| 4 load axis | α angle in the frontal plane CKL between the load axis 4 and the virtual stem axis 6 |
| 5 cement level | β angle in the lateral plane perpendicular to CKL between the load axis 4 and the virtual stem axis 6 |
| 6 virtual stem axis | |

Figure A.5 — Orientation of specimen under test — Short stem hip joint component with a CT distance ≤ 120 mm



Key

- | | | | |
|---|--------------|---------|--------------------------------------------------------------------------------------------------------------|
| 1 | head offset | T | most distal point of stem |
| 2 | load point | C | centre of head |
| 3 | neck axis | K, L | points at specific distances from T, which define the stem axis |
| 4 | load axis | β | angle in the lateral plane perpendicular to CKL between the load axis 4 and the proximal part of stem axis 6 |
| 5 | cement level | | |
| 6 | stem axis KL | | |

Figure A.6 — Orientation of specimen under test — Long stem hip joint component with a CT distance > 250 mm, straight and curved

Bibliography

- [1] ISO 5833, *Implants for surgery — Acrylic resin cements*

British Standards Institution (BSI)

BSI is the national body responsible for preparing British Standards and other standards-related publications, information and services.

BSI is incorporated by Royal Charter. British Standards and other standardization products are published by BSI Standards Limited.

About us

We bring together business, industry, government, consumers, innovators and others to shape their combined experience and expertise into standards-based solutions.

The knowledge embodied in our standards has been carefully assembled in a dependable format and refined through our open consultation process. Organizations of all sizes and across all sectors choose standards to help them achieve their goals.

Information on standards

We can provide you with the knowledge that your organization needs to succeed. Find out more about British Standards by visiting our website at bsigroup.com/standards or contacting our Customer Services team or Knowledge Centre.

Buying standards

You can buy and download PDF versions of BSI publications, including British and adopted European and international standards, through our website at bsigroup.com/shop, where hard copies can also be purchased.

If you need international and foreign standards from other Standards Development Organizations, hard copies can be ordered from our Customer Services team.

Subscriptions

Our range of subscription services are designed to make using standards easier for you. For further information on our subscription products go to bsigroup.com/subscriptions.

With **British Standards Online (BSOL)** you'll have instant access to over 55,000 British and adopted European and international standards from your desktop. It's available 24/7 and is refreshed daily so you'll always be up to date.

You can keep in touch with standards developments and receive substantial discounts on the purchase price of standards, both in single copy and subscription format, by becoming a **BSI Subscribing Member**.

PLUS is an updating service exclusive to BSI Subscribing Members. You will automatically receive the latest hard copy of your standards when they're revised or replaced.

To find out more about becoming a BSI Subscribing Member and the benefits of membership, please visit bsigroup.com/shop.

With a **Multi-User Network Licence (MUNL)** you are able to host standards publications on your intranet. Licences can cover as few or as many users as you wish. With updates supplied as soon as they're available, you can be sure your documentation is current. For further information, email bsmusales@bsigroup.com.

BSI Group Headquarters

389 Chiswick High Road London W4 4AL UK

Revisions

Our British Standards and other publications are updated by amendment or revision.

We continually improve the quality of our products and services to benefit your business. If you find an inaccuracy or ambiguity within a British Standard or other BSI publication please inform the Knowledge Centre.

Copyright

All the data, software and documentation set out in all British Standards and other BSI publications are the property of and copyrighted by BSI, or some person or entity that owns copyright in the information used (such as the international standardization bodies) and has formally licensed such information to BSI for commercial publication and use. Except as permitted under the Copyright, Designs and Patents Act 1988 no extract may be reproduced, stored in a retrieval system or transmitted in any form or by any means – electronic, photocopying, recording or otherwise – without prior written permission from BSI. Details and advice can be obtained from the Copyright & Licensing Department.

Useful Contacts:

Customer Services

Tel: +44 845 086 9001

Email (orders): orders@bsigroup.com

Email (enquiries): cservices@bsigroup.com

Subscriptions

Tel: +44 845 086 9001

Email: subscriptions@bsigroup.com

Knowledge Centre

Tel: +44 20 8996 7004

Email: knowledgecentre@bsigroup.com

Copyright & Licensing

Tel: +44 20 8996 7070

Email: copyright@bsigroup.com



...making excellence a habit.™