

BS ISO 7206-2:2011



BSI Standards Publication

# Implants for surgery — Partial and total hip joint prostheses

Part 2: Articulating surfaces made of  
metallic, ceramic and plastics materials

**bsi.**

...making excellence a habit.™

**National foreword**

This British Standard is the UK implementation of ISO 7206-2:2011. It supersedes BS 7251-4:1997, which is withdrawn.

The UK participation in its preparation was entrusted to Technical Committee CH/150/4, Surgical Implants - Bone and Joint Replacements.

A list of organizations represented on this committee can be obtained on request to its secretary.

This publication does not purport to include all the necessary provisions of a contract. Users are responsible for its correct application.

© BSI 2011

ISBN 978 0 580 67507 2

ICS 11.040.40

**Compliance with a British Standard cannot confer immunity from legal obligations.**

This British Standard was published under the authority of the Standards Policy and Strategy Committee on 30 April 2011.

**Amendments issued since publication**

Date	Text affected
------	---------------

---

---

---

**Implants for surgery — Partial and total  
hip joint prostheses —**

Part 2:

**Articulating surfaces made of metallic,  
ceramic and plastics materials**

*Implants chirurgicaux — Prothèses partielles et totales de l'articulation  
de la hanche —*

*Partie 2: Surfaces articulaires constituées de matériaux métalliques,  
céramiques et plastiques*





**COPYRIGHT PROTECTED DOCUMENT**

© ISO 2011

All rights reserved. Unless otherwise specified, no part of this publication may be reproduced or utilized in any form or by any means, electronic or mechanical, including photocopying and microfilm, without permission in writing from either ISO at the address below or ISO's member body in the country of the requester.

ISO copyright office  
Case postale 56 • CH-1211 Geneva 20  
Tel. + 41 22 749 01 11  
Fax + 41 22 749 09 47  
E-mail [copyright@iso.org](mailto:copyright@iso.org)  
Web [www.iso.org](http://www.iso.org)

Published in Switzerland

## Foreword

ISO (the International Organization for Standardization) is a worldwide federation of national standards bodies (ISO member bodies). The work of preparing International Standards is normally carried out through ISO technical committees. Each member body interested in a subject for which a technical committee has been established has the right to be represented on that committee. International organizations, governmental and non-governmental, in liaison with ISO, also take part in the work. ISO collaborates closely with the International Electrotechnical Commission (IEC) on all matters of electrotechnical standardization.

International Standards are drafted in accordance with the rules given in the ISO/IEC Directives, Part 2.

The main task of technical committees is to prepare International Standards. Draft International Standards adopted by the technical committees are circulated to the member bodies for voting. Publication as an International Standard requires approval by at least 75 % of the member bodies casting a vote.

Attention is drawn to the possibility that some of the elements of this document may be the subject of patent rights. ISO shall not be held responsible for identifying any or all such patent rights.

ISO 7206-2 was prepared by Technical Committee ISO/TC 150, *Implants for surgery*, Subcommittee SC 4, *Bone and joint replacements*.

This third edition cancels and replaces the second edition (ISO 7206-2:1996), which has been technically revised.

ISO 7206 consists of the following parts, under the general title *Implants for surgery — Partial and total hip joint prostheses*:

- *Part 1: Classification and designation of dimensions*
- *Part 2: Articulating surfaces made of metallic, ceramic and plastics materials*
- *Part 4: Determination of endurance properties and performance of stemmed femoral components*
- *Part 6: Determination of endurance properties of head and neck region of stemmed femoral components*
- *Part 8: Endurance performance of stemmed femoral components with application of torsion*
- *Part 10: Determination of resistance to static load of modular femoral heads*



# Implants for surgery — Partial and total hip joint prostheses —

## Part 2:

## Articulating surfaces made of metallic, ceramic and plastics materials

### 1 Scope

This part of ISO 7206 specifies requirements for the articulating surfaces of those types of total and partial hip joint prostheses that provide a joint replacement of ball and socket configuration, as follows:

- a) sphericity and surface finish requirements for metallic and ceramic femoral prostheses for partial hip joint replacement that are in accordance with classification a) of ISO 7206-1;
- b) sphericity and surface finish requirements for bipolar heads with plastics inner surfaces which articulate on femoral components that are in accordance with classification a) of ISO 7206-1 and with metallic or ceramic outer surfaces which articulate on the biological acetabulum;
- c) sphericity and surface finish requirements and dimensional tolerances for plastics acetabular components that are in accordance with classification b) of ISO 7206-1;
- d) sphericity and surface finish requirements and dimensional tolerances for metallic or ceramic femoral components of total hip joint prostheses that are in accordance with classification c) of ISO 7206-1, designed to articulate on plastics acetabular components.

### 2 Normative references

The following referenced documents are indispensable for the application of this document. For dated references, only the edition cited applies. For undated references, the latest edition of the referenced document (including any amendments) applies.

ISO 4287, *Geometrical Product Specifications (GPS) — Surface texture: Profile method — Terms, definitions and surface texture parameters*

ISO 4288:1996, *Geometrical Product Specifications (GPS) — Surface texture: Profile method — Rules and procedures for the assessment of surface texture*

ISO 7206-1, *Implants for surgery — Partial and total hip joint prostheses — Part 1: Classification and designation of dimensions*

### 3 Terms and definitions

For the purposes of this document, the terms and definitions given in ISO 7206-1 and the following apply.

**3.1 spherical pole**  
point created by the intersection of the axis of symmetry of the partial sphere of the head or cup with the spherical surface of the head or cup

### 4 Requirements

#### 4.1 Femoral components of total hip joint prostheses

##### 4.1.1 General

This subclause refers to spherical articulating surfaces of femoral components of total hip joint prostheses in accordance with classification c) of ISO 7206-1.

##### 4.1.2 Sphericity

When measured in accordance with the method given in A.1, the departure from sphericity of the spherical articulating surface of a femoral component shall have a radial separation value not greater than 10 µm.

##### 4.1.3 Surface finish

When measured in accordance with the principles given in ISO 4287 and performed according to the max.-rule in ISO 4288:1996, 5.3, the spherical articulating surfaces of metallic and ceramic components shall have  $R_{max}$  values not greater than 0,05 µm and 0,02 µm respectively and an  $Rt_{max}$  value not greater than 1,0 µm, using a cut-off value of 0,08 mm. The measurements shall be taken at five locations on the spherical surface. One measurement shall be taken in each of four quadrants approximately 30° from the spherical pole and one at the spherical pole. The following details shall be reported along with the  $R_{max}$  value:

- a) stylus tip radius;
- b) position of measurement on specimen;
- c) average  $Ra$ .

When examined by normal or corrected vision, the articulating surface shall be free from embedded particles and from scratches and score marks other than those arising from the finishing process.

##### 4.1.4 Dimensional tolerances

The spherical head shall have a diameter equal to the nominal diameter within a tolerance of -0,2 mm to 0 mm, i.e. it shall be undersized within the given tolerance.

#### 4.2 Plastics acetabular components

##### 4.2.1 General

This subclause refers to plastics acetabular components for total hip joint replacements in accordance with classification b) of ISO 7206-1.



#### 4.2.2 Sphericity

When measured in accordance with the method given in A.2, the departure from sphericity shall have a radial separation value no greater than 100  $\mu\text{m}$ .

#### 4.2.3 Surface finish

When measured in accordance with the principles given in ISO 4288, the spherical articulating surface of the implant shall have an  $R_a$  value not greater than 2  $\mu\text{m}$ , using a cut-off value of 0,08 mm. The measurements shall be taken at five locations evenly distributed around the equator of the acetabular component on the spherical surface. The locations shall be at least 5 mm from the edge of the acetabular component and the measurement direction shall be oriented approximately perpendicular to any machining marks that are present.

NOTE Although ISO 4288 requires a cut-off of 0,8 mm if the surface finish approaches 2  $\mu\text{m}$ , a cut-off value as long as that is not practical due to the curvature of the spherical surface.

The following details shall be reported along with the measured values:

- a) stylus tip radius;
- b) position of measurement on specimen;
- c) average  $R_a$ .

When examined by normal or corrected vision, the articulating surface shall be free from embedded particles and from scratches and score marks other than those arising from the finishing process.

#### 4.2.4 Dimensional tolerances

The spherical socket shall have a diameter equal to the nominal diameter within a tolerance of +0,1 mm to +0,3 mm at a temperature of 20 °C  $\pm$  2 °C, i.e. it shall be oversized within the given tolerance.

### 4.3 Femoral prostheses for partial joint replacements

#### 4.3.1 General

This subclause refers to spherical articulating surfaces of femoral prostheses for partial joint replacements in accordance with classification a) of ISO 7206-1.

#### 4.3.2 Sphericity

When measured in accordance with the method given in A.1, the departure from sphericity of the spherical articulating surface shall have a radial separation value no greater than 100  $\mu\text{m}$ .

#### 4.3.3 Surface finish

When measured in accordance with the principles given in ISO 4287, the spherical articulating surface of the implant shall have an  $R_a$  value not greater than 0,5  $\mu\text{m}$  and an  $R_t$  value not greater than 1,0  $\mu\text{m}$ , using a cut-off value of 0,08 mm.

The following details shall be reported along with the measured values:

- a) stylus tip radius;
- b) position of measurement on specimen.

When examined by normal or corrected vision, the articulating surface shall be free from embedded particles and from scratches and score marks other than those arising from the finishing process.

#### **4.3.4 Dimensional tolerances**

The tolerance for the spherical head shall be  $\pm 0,5$  mm on the nominal diameter.

### **4.4 Bipolar heads**

#### **4.4.1 General**

This subclause refers to bipolar heads for femoral prostheses consisting of a concave (inner) spherical surface in a plastics component intended to articulate with a femoral component of a partial or total hip joint. The bipolar head also has a convex (outer) spherical surface which is intended to articulate with the biological acetabulum.

#### **4.4.2 Inner articulating surface**

The inner articulating surface of the plastics part of a bipolar head shall conform to 4.2.

#### **4.4.3 Outer articulating surface**

The outer articulating surface of a bipolar head shall conform to 4.3.

## Annex A (normative)

### Determination of radial separation value

#### A.1 Femoral ball

Measurements shall be made using a three-dimensional measuring machine with a measuring stylus which will allow contact with any point on the articulating surface to be tested. For the measurement, the sphere is divided into 90° quadrants projected down from the spherical pole. Each of these 90° quadrants is divided again at the equator of the sphere to form sectors. This means that there are eight sectors on any sphere. A minimum of 15 measurement points shall be made in each sector. These measurement points shall be evenly distributed in the sector, covering a major portion of the sector. They can be in a line or near linear as long as the path covers at least 50 % of the longest line that can be made in the sector. At least five points shall be collected within 3° of the spherical pole. See Figure A.1.

Another method for measurement consists of using a scanning technique with a three-dimensional measuring machine and dividing the sphere into two 90° segments from the spherical pole. For each segment, an angle of 200° (2 × 100° from the spherical pole) is measured. The actual sphericity is determined using Gaussian distribution.

NOTE With state-of-the-art three-dimensional measuring machines, it is common to register individual points used in the calculation a distance of at least 100 µm apart for a proper determination of the radial separation value. See Figure A.1.

Determine, using the least-squares method, the average diameter,  $D$ , and the coordinates of the centre  $O$  of the sphere of average diameter.

Calculate, for each of the measurement points,  $P'$ , the radial separation value,  $r_s$ , using the equation:

$$r_s = \text{distance } OP' - 0,5 D$$

The radial separation value referred to in 4.1.2 shall be the greatest of these calculated values.

#### A.2 Acetabular cup

Measurements shall be made using a three-dimensional measuring machine with a measuring stylus which will allow contact with any point on the articulating surface to be tested. For the measurement, the concave spherical surface is divided into 90° quadrants projected down from the spherical pole. This means that there are four quadrants on the concave spherical surface. A minimum of 25 measurement points shall be made in each quadrant. These measurement points shall be evenly distributed in the quadrant, covering a major portion of the quadrant. They can be in a line or near linear as long as the path covers at least 50 % of the longest line that can be made in the quadrant. At least five points shall be collected within 3° of the spherical pole. See Figure A.2.

Another method for measurement consists of using a scanning technique with a three-dimensional measuring machine and dividing the sphere into four 45° quadrants from the spherical pole (deepest point of the concave sphere). For each quadrant, an angle of 140° (2 × 70° from the spherical pole) is measured. The actual sphericity is determined using Gaussian distribution.

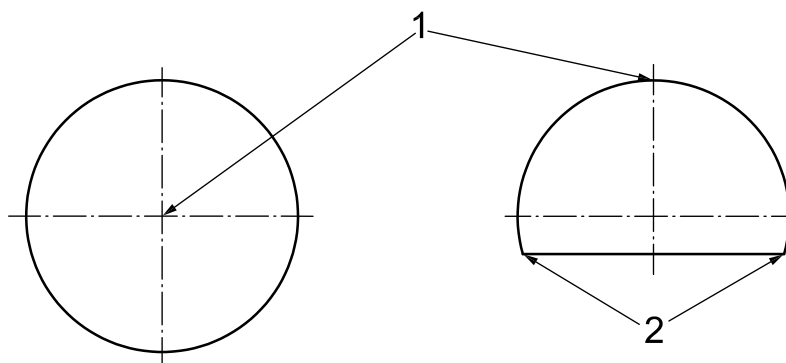
Plane A-A shall be a diametral plane or, if the articulating surface extends to less than half of a circumference, it shall intersect the articulating surface within 1 mm of its border. The spherical pole shall lie on the perpendicular line drawn from the centre of the plane A-A.

Determine, using the least-squares method, the average diameter,  $D$ , and the coordinates of the centre  $O$  of the sphere of average diameter.

Calculate, for each of the measurement points,  $P'$ , the radial separation value,  $r_s$ , using the equation:

$$r_s = \text{distance } OP' - 0,5 D$$

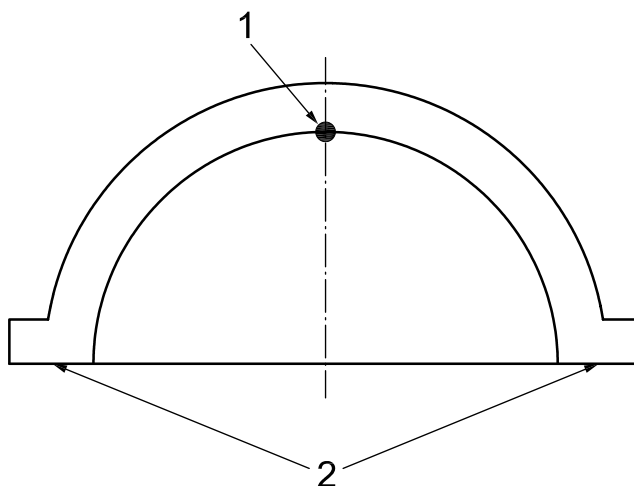
The radial separation value referred to in 4.2.2 shall be the greatest of these calculated values.



**Key**

- 1 pole (P)
- 2 end of articulating surface

**Figure A.1 — Locations on the spherical head**



**Key**

- 1 pole (P)
- 2 end of articulating surface

**Figure A.2 — Locations on the acetabulum**







# British Standards Institution (BSI)

BSI is the national body responsible for preparing British Standards and other standards-related publications, information and services.

BSI is incorporated by Royal Charter. British Standards and other standardization products are published by BSI Standards Limited.

## About us

We bring together business, industry, government, consumers, innovators and others to shape their combined experience and expertise into standards-based solutions.

The knowledge embodied in our standards has been carefully assembled in a dependable format and refined through our open consultation process. Organizations of all sizes and across all sectors choose standards to help them achieve their goals.

## Information on standards

We can provide you with the knowledge that your organization needs to succeed. Find out more about British Standards by visiting our website at [bsigroup.com/standards](http://bsigroup.com/standards) or contacting our Customer Services team or Knowledge Centre.

## Buying standards

You can buy and download PDF versions of BSI publications, including British and adopted European and international standards, through our website at [bsigroup.com/shop](http://bsigroup.com/shop), where hard copies can also be purchased.

If you need international and foreign standards from other Standards Development Organizations, hard copies can be ordered from our Customer Services team.

## Subscriptions

Our range of subscription services are designed to make using standards easier for you. For further information on our subscription products go to [bsigroup.com/subscriptions](http://bsigroup.com/subscriptions).

With **British Standards Online (BSOL)** you'll have instant access to over 55,000 British and adopted European and international standards from your desktop. It's available 24/7 and is refreshed daily so you'll always be up to date.

You can keep in touch with standards developments and receive substantial discounts on the purchase price of standards, both in single copy and subscription format, by becoming a **BSI Subscribing Member**.

**PLUS** is an updating service exclusive to BSI Subscribing Members. You will automatically receive the latest hard copy of your standards when they're revised or replaced.

To find out more about becoming a BSI Subscribing Member and the benefits of membership, please visit [bsigroup.com/shop](http://bsigroup.com/shop).

With a **Multi-User Network Licence (MUNL)** you are able to host standards publications on your intranet. Licences can cover as few or as many users as you wish. With updates supplied as soon as they're available, you can be sure your documentation is current. For further information, email [bsmusales@bsigroup.com](mailto:bsmusales@bsigroup.com).

## BSI Group Headquarters

389 Chiswick High Road London W4 4AL UK

## Revisions

Our British Standards and other publications are updated by amendment or revision.

We continually improve the quality of our products and services to benefit your business. If you find an inaccuracy or ambiguity within a British Standard or other BSI publication please inform the Knowledge Centre.

## Copyright

All the data, software and documentation set out in all British Standards and other BSI publications are the property of and copyrighted by BSI, or some person or entity that owns copyright in the information used (such as the international standardization bodies) and has formally licensed such information to BSI for commercial publication and use. Except as permitted under the Copyright, Designs and Patents Act 1988 no extract may be reproduced, stored in a retrieval system or transmitted in any form or by any means – electronic, photocopying, recording or otherwise – without prior written permission from BSI. Details and advice can be obtained from the Copyright & Licensing Department.

## Useful Contacts:

### Customer Services

**Tel:** +44 845 086 9001

**Email (orders):** [orders@bsigroup.com](mailto:orders@bsigroup.com)

**Email (enquiries):** [cservices@bsigroup.com](mailto:cservices@bsigroup.com)

### Subscriptions

**Tel:** +44 845 086 9001

**Email:** [subscriptions@bsigroup.com](mailto:subscriptions@bsigroup.com)

### Knowledge Centre

**Tel:** +44 20 8996 7004

**Email:** [knowledgecentre@bsigroup.com](mailto:knowledgecentre@bsigroup.com)

### Copyright & Licensing

**Tel:** +44 20 8996 7070

**Email:** [copyright@bsigroup.com](mailto:copyright@bsigroup.com)



...making excellence a habit.™