



BSI Standards Publication

Hydraulic fluid power — Test methods for hoses and hose assemblies

National foreword

This British Standard is the UK implementation of ISO 6605:2017. It supersedes BS ISO 6605:2002, which is withdrawn.

The UK participation in its preparation was entrusted to Technical Committee MCE/18/-/4, Connectors and associated components.

A list of organizations represented on this committee can be obtained on request to its secretary.

This publication does not purport to include all the necessary provisions of a contract. Users are responsible for its correct application.

© The British Standards Institution 2017
Published by BSI Standards Limited 2017

ISBN 978 0 580 87924 1

ICS 83.140.40; 23.100.40

Compliance with a British Standard cannot confer immunity from legal obligations.

This British Standard was published under the authority of the Standards Policy and Strategy Committee on 31 July 2017.

Amendments/corrigenda issued since publication

Date	Text affected
------	---------------

INTERNATIONAL
STANDARD

ISO
6605

Third edition
2017-06

**Hydraulic fluid power — Test methods
for hoses and hose assemblies**

*Transmissions hydrauliques — Méthodes d'essai pour les tuyaux et
flexibles*



Reference number
ISO 6605:2017(E)



COPYRIGHT PROTECTED DOCUMENT

© ISO 2017, Published in Switzerland

All rights reserved. Unless otherwise specified, no part of this publication may be reproduced or utilized otherwise in any form or by any means, electronic or mechanical, including photocopying, or posting on the internet or an intranet, without prior written permission. Permission can be requested from either ISO at the address below or ISO's member body in the country of the requester.

ISO copyright office
Ch. de Blandonnet 8 • CP 401
CH-1214 Vernier, Geneva, Switzerland
Tel. +41 22 749 01 11
Fax +41 22 749 09 47
copyright@iso.org
www.iso.org

Contents

Page

Foreword	iv
Introduction	vi
1 Scope	1
2 Normative references	1
3 Terms and definitions	1
4 Visual examination of product	2
5 Standard tests	2
5.1 Dimensional check test.....	2
5.1.1 General.....	2
5.1.2 Measurement of outside and reinforcement diameters.....	2
5.1.3 Measurement of inside diameter.....	2
5.1.4 Measurement of concentricity.....	2
5.2 Proof test.....	3
5.3 Change-in-length test.....	3
5.4 Burst test.....	3
5.4.1 General.....	3
5.4.2 Procedure.....	4
5.5 Cold bend test.....	4
5.5.1 General.....	4
5.5.2 Procedure.....	4
5.6 Cyclic endurance (impulse) test.....	4
5.6.1 General.....	4
5.6.2 Procedure.....	4
5.7 Leakage test.....	8
5.7.1 General.....	8
5.7.2 Procedure.....	8
5.8 Adhesion test.....	8
5.8.1 General.....	8
5.8.2 Apparatus.....	9
5.8.3 Test specimens.....	9
5.8.4 Conditioning.....	9
5.8.5 Procedure.....	9
5.8.6 Expression of results.....	9
6 Criteria for acceptance	9
7 Identification statement (reference to this document)	9
Bibliography	10

Foreword

ISO (the International Organization for Standardization) is a worldwide federation of national standards bodies (ISO member bodies). The work of preparing International Standards is normally carried out through ISO technical committees. Each member body interested in a subject for which a technical committee has been established has the right to be represented on that committee. International organizations, governmental and non-governmental, in liaison with ISO, also take part in the work. ISO collaborates closely with the International Electrotechnical Commission (IEC) on all matters of electrotechnical standardization.

The procedures used to develop this document and those intended for its further maintenance are described in the ISO/IEC Directives, Part 1. In particular the different approval criteria needed for the different types of ISO documents should be noted. This document was drafted in accordance with the editorial rules of the ISO/IEC Directives, Part 2 (see www.iso.org/directives).

Attention is drawn to the possibility that some of the elements of this document may be the subject of patent rights. ISO shall not be held responsible for identifying any or all such patent rights. Details of any patent rights identified during the development of the document will be in the Introduction and/or on the ISO list of patent declarations received (see www.iso.org/patents).

Any trade name used in this document is information given for the convenience of users and does not constitute an endorsement.

For an explanation on the voluntary nature of standards, the meaning of ISO specific terms and expressions related to conformity assessment, as well as information about ISO's adherence to the World Trade Organization (WTO) principles in the Technical Barriers to Trade (TBT) see the following URL: www.iso.org/iso/foreword.html.

The committee responsible for this document is Technical Committee ISO/TC 131, *Fluid power systems*, Subcommittee SC 4, *Connectors and similar products and components*.

This third edition cancels and replaces the second edition (ISO 6605:2002), which has been technically revised with the following changes:

- a WARNING was added before the Scope;
- added ISO/TR 11340 and ISO/TS 17165-2 and removed ISO 6945 from the normative references;
- added new ISO verbiage to the terms and definitions;
- added definitions for “change in length”, “minimum burst pressure” and “cyclic endurance (impulse) test”;
- replaced “operating pressure” with “maximum working pressure” throughout the document;
- added the statements: “The proof pressure shall be twice the maximum working pressure, unless otherwise specified” and “The minimum burst pressure shall be four times the maximum working pressure, unless otherwise specified in the pertinent hose product standard”;
- replaced ISO 4672:1997 with ISO 10619-2:2011;
- added: “For values of d less than 25 mm, use $d = 25$ mm for the $2d$ term in the expression for the hose free length, so that the hose between the end of the hose fitting and the start of the bend radius is straight” and “The actual free hose length shall agree with the calculated free hose length to within $+1/-0$ % or $+8/-0$ mm, whichever is greater” to [5.6.2.2](#);
- redefined the frequency in [5.6.2.5](#), added a new [5.6.2.6](#) and [5.6.2.9](#), revised [Figure 2](#) and added [Figure 3](#);
- deleted the abrasion test;

— updated all the references in the Bibliography.

Introduction

In hydraulic fluid power systems, power is transmitted and controlled through a liquid under pressure within an enclosed circuit. A hose assembly is a flexible fluid power conductor consisting of a length of hose attached, at both ends, to hose fittings.

Hydraulic fluid power — Test methods for hoses and hose assemblies

WARNING — Some of the tests described in this document are considered hazardous. It is, therefore, essential that, in conducting these tests, all appropriate safety precautions be strictly adhered to. Attention is drawn to the danger of burst, fine jets (which can penetrate the skin) and energy release of expanding gases. To reduce the hazard of energy release, bleed air out of test specimens prior to pressure testing. Tests shall be set up and performed by properly trained personnel.

1 Scope

This document specifies uniform test methods for evaluating the performance of hoses and hose assemblies (hoses and attached hose fittings) used in hydraulic fluid power systems.

Specific tests and performance criteria for evaluating hoses and hose assemblies used in hydraulic applications are in accordance with the requirements of the respective product (hoses or hose fitting) specifications.

2 Normative references

The following documents are referred to in the text in such a way that some or all of their content constitutes requirements of this document. For dated references, only the edition cited applies. For undated references, the latest edition of the referenced document (including any amendments) applies.

ISO 1402, *Rubber and plastics hoses and hose assemblies — Hydrostatic testing*

ISO 3448, *Industrial liquid lubricants — ISO viscosity classification*

ISO 4671, *Rubber and plastics hoses and hose assemblies — Methods of measurement of the dimensions of hoses and the lengths of hose assemblies*

ISO 5598, *Fluid power systems and components — Vocabulary*

ISO 5893, *Rubber and plastics test equipment — Tensile, flexural and compression types (constant rate of traverse) — Specification*

ISO 6133, *Rubber and plastics — Analysis of multi-peak traces obtained in determinations of tear strength and adhesion strength*

ISO 8033, *Rubber and plastics hoses — Determination of adhesion between components*

ISO/TR 11340, *Rubber and rubber products — Hydraulic hose assemblies — External leakage classification for hydraulic systems*

ISO/TS 17165-2, *Hydraulic fluid power — Hose assemblies — Part 2: Practices for hydraulic hose assemblies*

ISO 23529, *Rubber — General procedures for preparing and conditioning test pieces for physical test methods*

3 Terms and definitions

For the purposes of this document, the terms and definitions given in ISO 5598 and the following apply.

ISO and IEC maintain terminological databases for use in standardization at the following addresses:

— IEC Electropedia: available at <http://www.electropedia.org/>

— ISO Online browsing platform: available at <http://www.iso.org/obp>

3.1 change-in-length

elongation or contraction of the hose or hose assembly due to pressurization

3.2 minimum burst pressure

minimum pressure at which failure of the hose or hose assembly occurs

Note 1 to entry: This failure can be a hose burst, leakage or separation of the hose from the hose fitting.

3.3 cyclic endurance (impulse) test

fatigue test conducted between a lower cyclic test pressure and an upper cyclic test pressure to determine performance of a hose assembly under pressure cycling conditions

4 Visual examination of product

Hose assemblies shall be visually inspected in accordance with ISO/TS 17165-2, to determine that the correct hose and hose fittings are properly installed.

5 Standard tests

5.1 Dimensional check test

5.1.1 General

NOTE These test methods are technically equivalent to those specified in ISO 4671.

The hoses shall be inspected for conformity with all the dimensions of the relevant hose specification.

5.1.2 Measurement of outside and reinforcement diameters

5.1.2.1 Determine finished outside diameter and reinforcement diameter, where required, by calculation from measurement of the respective circumference. As an alternative, a flexible graduated tape may be used to read the diameters directly.

5.1.2.2 Take outside diameter measurements at a minimum of 25 mm from the hose ends.

5.1.3 Measurement of inside diameter

5.1.3.1 Measure the inside diameter by means of a suitable expanding ball or telescoping gauge in accordance with method 2 given in ISO 4671.

5.1.3.2 Take inside diameter measurements at a minimum of 25 mm from the hose ends.

5.1.4 Measurement of concentricity

5.1.4.1 Measure concentricity over both the reinforcement and the finished outside diameters using either a dial indicator gauge or a micrometre.

5.1.4.2 Take concentricity measurements at a minimum of 15 mm from the hose ends.

5.1.4.3 Round the foot of the measuring instrument to conform to the inside diameter of the hose.

5.1.4.4 Take readings at 90° (1,57 rad) intervals around the hose. Acceptability is based on the total variation between the highest and lowest readings.

5.2 Proof test

5.2.1 Test the hose assemblies hydrostatically to the specified proof pressure in accordance with the relevant product specification using the method specified in ISO 1402, for a period of between 30 s and 60 s for all sizes. The proof pressure shall be twice the maximum working pressure, unless otherwise specified.

5.2.2 Hose assemblies that exhibit no leakage or other evidence of failure after being subjected to the proof test shall be deemed to have passed the test.

5.3 Change-in-length test

5.3.1 Conduct measurements for the determination of elongation or contraction on a previously unused, unaged hose assembly having a free length between hose fittings of at least 600 mm.

5.3.2 Attach the hose assembly to the pressure source in an unrestricted straight position. If the hose is not straight due to its natural curvature, it may be fastened laterally to achieve a straight position. Pressurize to the maximum working pressure for a period of 30 s, then release the pressure.

5.3.3 Place accurate reference marks 500 mm (l_0) apart on the outer cover of the hose, midway between hose fittings, after allowing the hose assembly to restabilize for a period of 30 s following pressure release.

5.3.4 Repressurize the hose assembly to the specified maximum working pressure for a period of 30 s.

5.3.5 Measure the distance between reference marks while the hose is pressurized and record this as l_1 .

5.3.6 Determine the change in length using [Formula \(1\)](#) in accordance with ISO 1402:

$$\Delta l = \frac{l_1 - l_0}{l_0} \times 100 \quad (1)$$

where

l_0 is the distance between the reference marks after the hose assembly restabilizes pressurized following the initial pressurization and release of pressure, in millimetres;

l_1 is the distance between the reference marks while the hose assembly is under pressure, in millimetres;

Δl is the percentage change in length, which will be positive (+) in the case of an increase in length and negative (-) in the case of a decrease in length.

5.4 Burst test

5.4.1 General

This is a destructive test. Hose or hose assemblies that have been subjected to this test should be destroyed.

5.4.2 Procedure

5.4.2.1 Subject unaged hose or hose assemblies, on which the hose fittings have been attached for less than 30 d, to a hydrostatic pressure. Increase the pressure at a rate in accordance with ISO 1402 until the hose or hose assembly fails. The minimum burst pressure shall be four times the maximum working pressure, unless otherwise specified in the pertinent hose product standard.

5.4.2.2 Reject hose assemblies showing leakage, hose burst or indication of failure below the specified minimum burst pressure.

5.5 Cold bend test

5.5.1 General

NOTE This test is technically identical to method B in ISO 10619-2.

This is a destructive test. Hose assemblies that have been subjected to this test should be destroyed.

5.5.2 Procedure

5.5.2.1 Condition hose assemblies at a temperature equal to the minimum application temperature of the relevant product specification in a straight position for 24 h.

5.5.2.2 While still at the minimum application temperature, bend the samples once, taking a time of between 8 s and 12 s, over a mandrel having a diameter equal to twice the specified minimum bend radius.

In the case of hose sizes up to and including 22 mm nominal inside diameter, bend them through 180° over the mandrel; in the case of hose sizes larger than 22 mm nominal inside diameter, bend them through 90° over the mandrel.

5.5.2.3 After bending, allow the sample to warm to room temperature, visually examine it for cover cracks and subject it to the proof test (see [5.2](#)).

5.5.2.4 Hose assemblies that exhibit no visible cracks, leakage or other evidence of failure after the cold bend test shall be deemed to have passed the test.

5.6 Cyclic endurance (impulse) test

5.6.1 General

NOTE This test method is technically equivalent to that specified in ISO 6803.

This is a destructive test. Hose assemblies that have been subjected to this test should be destroyed.

5.6.2 Procedure

5.6.2.1 Test hose assemblies with hose fittings that have been attached for less than 30 d.

5.6.2.2 Calculate the free (exposed) length of hose under test, as shown in [Figure 1](#), using the appropriate formula for the inside diameter of the hose under test, as follows:

a) hose sizes up to and including 22 mm nominal inside diameter:

$$180^\circ \text{ bend free length} = \pi(r + d/2) + 2d$$

b) hose sizes larger than 22 mm nominal inside diameter:

$$90^\circ \text{ bend free length} = \pi / 2(r + d/2) + 2d$$

where

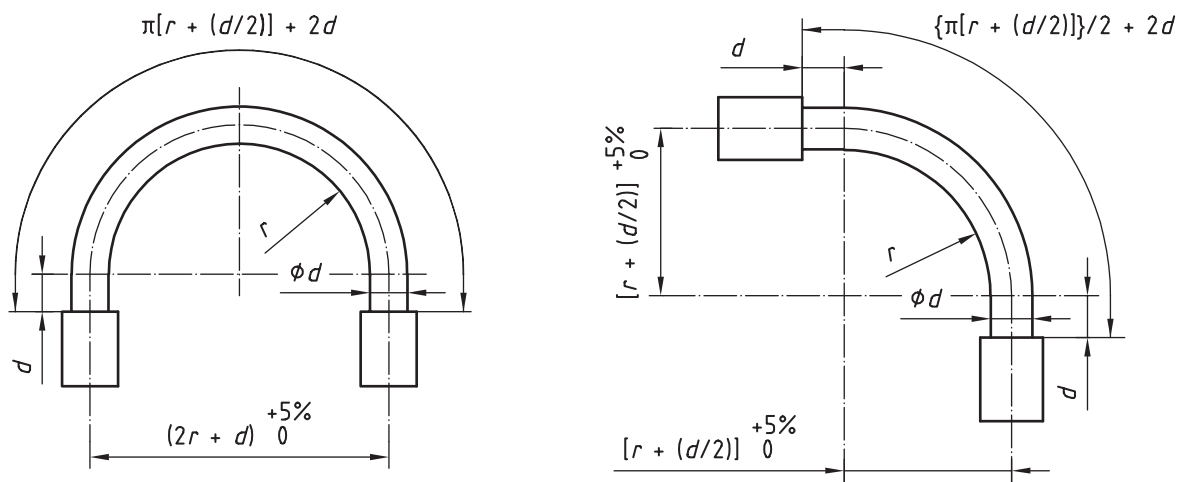
r is the minimum bend radius (the minimum bend radius is found in the relevant hose standards);

d is the hose outside diameter (this is a measured dimension, except for d 's smaller than 25 mm).

For values of d less than 25 mm, use $d = 25$ mm for the $2d$ term in the expression for the hose free length, so that the hose between the end of the hose fitting and the start of the bend radius is straight.

The actual free hose length shall agree with the calculated free hose length to within +1/-0 % or +8/-0 mm, whichever is greater.

5.6.2.3 Connect the test hose assemblies to the apparatus. These shall be installed according to [Figure 1](#). The hose assemblies of nominal inside diameter up to and including 22 mm shall be bent through 180°, and hose assemblies of nominal inside diameter larger than 22 mm shall be bent through 90°.



a) hose sizes up to and including 22 mm nominal inside diameter **b) hose sizes larger than 22 mm nominal inside diameter**

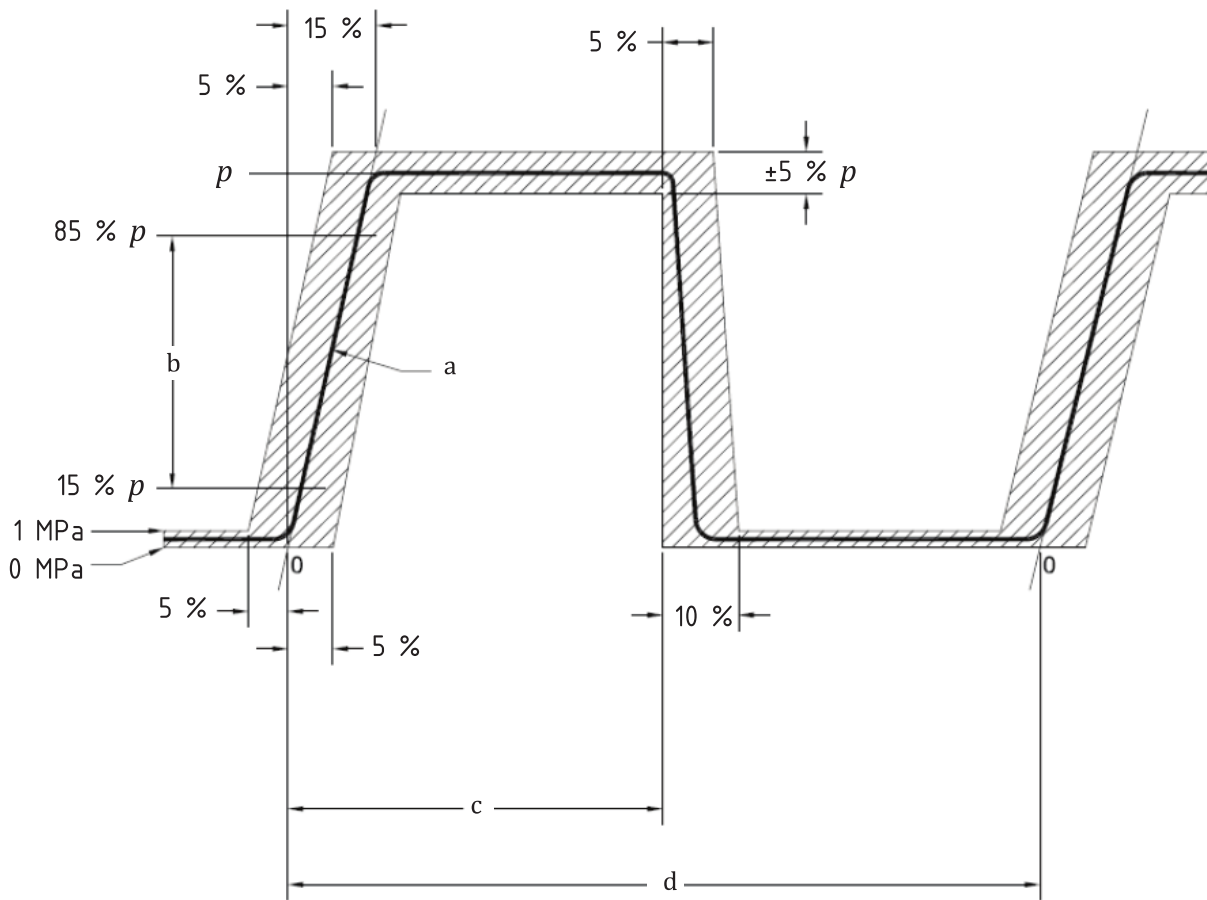
Figure 1 — Hose assemblies for cyclic endurance (impulse) test

5.6.2.4 Select a test fluid that meets with the requirements of viscosity grade ISO VG 46 (46 cSt \pm 4,6 cSt at 40 °C) in accordance with ISO 3448, and circulate it at a rate sufficient to maintain a uniform fluid temperature within the hose assemblies.

5.6.2.5 Apply a pulsating pressure internally to the hose assemblies at a rate between 0,5 Hz and 1,3 Hz for high pressure tests and between 0,2 Hz and 1,0 Hz for low pressure tests; record the frequency used.

5.6.2.6 The pressure cycle shall fall within the shaded area of [Figure 2](#) for high pressure tests (greater than 2,5 MPa) and within the shaded area of [Figure 3](#) for low pressure tests (2,5 MPa or less), and

conform as closely as possible to the curve as shown. The actual rate of pressure rise shall be determined as shown in [Figure 2](#) and shall be within a tolerance of $\pm 10\%$ of the calculated nominal value.



Key

- a Secant pressure rise rate.
- b Rate of pressure rise to be determined between these two points.
- c 45 % to 55 % of a complete impulse cycle.
- d One complete impulse cycle.

Figure 2 — Cyclic endurance (impulse) test pressure cycle for high pressure test

NOTE 1 Secant pressure rise is the straight line drawn through two points on the pressure rise curve; one point at 15 % of the test pressure and the other at 85 % of the test pressure.

NOTE 2 Point “0” is the intersection of the secant pressure rise with a pressure of 0 MPa (0 bar).

NOTE 3 Pressure rise rate is the slope of the secant pressure rise expressed in megapascals per second (MPa/s).

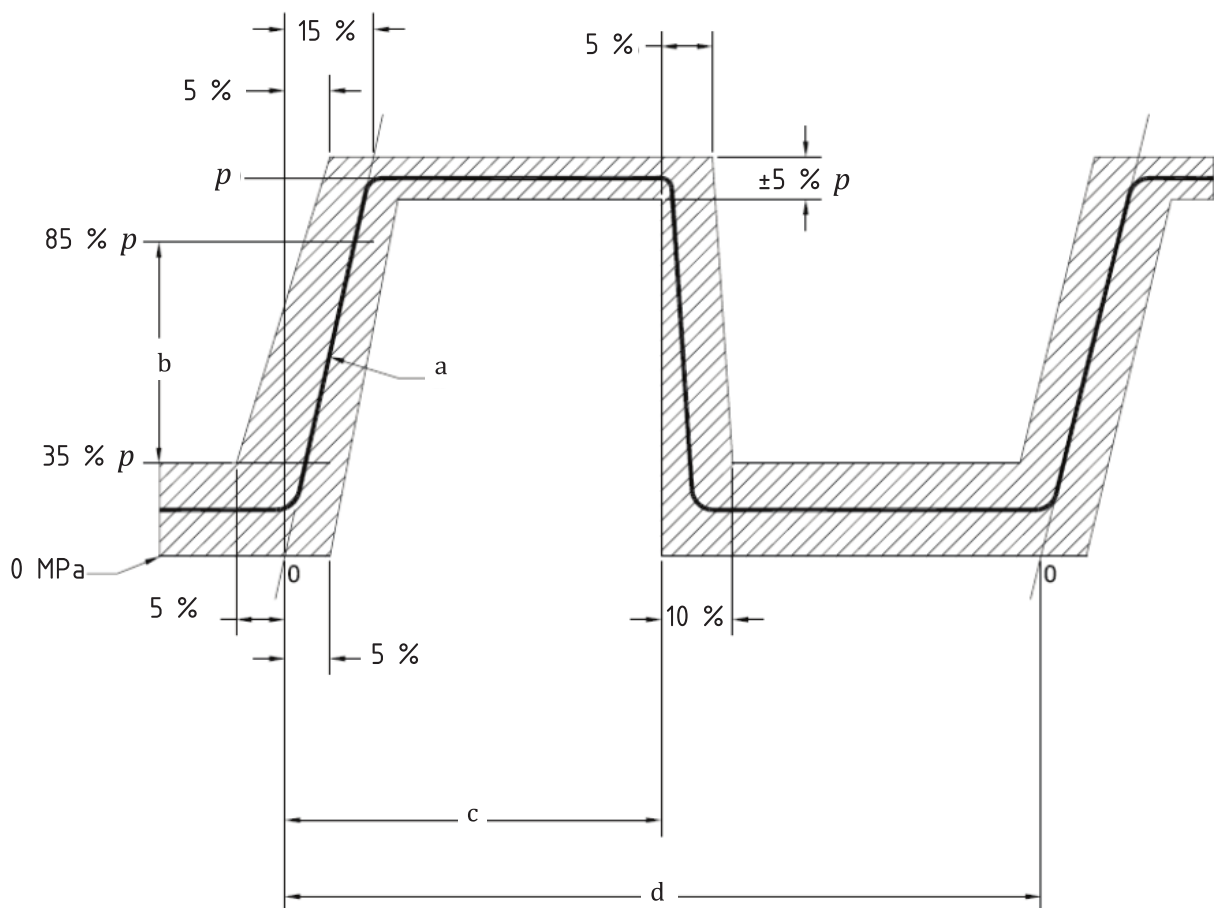
NOTE 4 Cycle rate shall be uniform at 0,5 to 1,3 Hz.

NOTE 5 The nominal rate of pressure rise shall be equal to:

$$R = f(10p - k)$$

where

- R is the rate of pressure rise in megapascals per second (MPa/s);
- f is the frequency in hertz (Hz);
- p is the nominal impulse test pressure in megapascals (MPa);
- k is equivalent to 5 megapascals (MPa).



Key

- a Secant pressure rise rate.
- b Rate of pressure rise to be determined between these two points.
- c 45 % to 55 % of a complete impulse cycle.
- d One complete impulse cycle.

Figure 3 — Cyclic endurance (impulse) test pressure cycle for low pressure test

NOTE 6 Secant pressure rise is the straight line drawn through two points on the pressure rise curve; one point at 35 % of the test pressure and the other at 85 % of the test pressure.

NOTE 7 Point “0” is the intersection of the secant pressure rise with a pressure of 0 MPa (0 bar).

NOTE 8 Pressure rise rate is the slope of the secant pressure rise expressed in megapascals per second (MPa/s).

NOTE 9 Cycle rate shall be uniform at 0,2 to 1,0 Hz.

NOTE 10 The nominal rate of pressure rise shall be equal to:

$$R = f(10p - k)$$

where

- R* is the rate of pressure rise in megapascals per second (MPa/s);
- f* is the frequency in hertz (Hz);
- p* is the nominal impulse test pressure in megapascals (MPa);
- k* is equivalent to 5 megapascals (MPa).

5.6.2.7 Test the hose assemblies at the impulse test pressure and temperature indicated in the relevant product specification.

5.6.2.8 Determine the duration of the impulse test in total number of impulse cycles by the relevant product specification.

5.6.2.9 Conduct the test for the specified number of cycles or until an assembly fails. If a test is stopped before completion of the minimum number of cycles and then restarted, leakage may occur at the hose/hose fitting junction upon restarting the test and until the test temperature is reached. Leakage less than class 4 as defined in ISO/TR 11340 does not constitute a failure of the hose assembly. Any leakage shall be reported in accordance with the classification in ISO/TR 11340.

5.6.2.10 Hose assemblies that exhibit no evidence of failure at the completion of the required number of impulse cycles shall be deemed to have passed the test.

5.7 Leakage test

5.7.1 General

This is a destructive test. Hose assemblies that have been subjected to this test should be destroyed.

5.7.2 Procedure

5.7.2.1 Subject hose assemblies on which the hose fittings have been attached for less than 30 d, to a hydrostatic pressure of 70 % of the specified minimum burst pressure for a period of 5 min to 5,5 min.

5.7.2.2 Reduce the fluid pressure to 0 MPa (0 bar).

5.7.2.3 Reapply 70 % of minimum burst hydrostatic pressure for another period of 5 min to 5,5 min.

5.7.2.4 Hose assemblies that exhibit no leakage or other evidence of failure after the leakage test shall be deemed to have passed the test.

5.8 Adhesion test

5.8.1 General

NOTE This test method is technically equivalent to that specified in ISO 8033.

This is a destructive test. Hoses that have been subjected to this test should be destroyed.

5.8.2 Apparatus

5.8.2.1 Power-driven apparatus, equipped with a suitable dynamometer and capable of maintaining a substantially constant rate of traverse of a moving head. The apparatus shall be fitted with an autographic recorder and shall conform to ISO 5893, class A.

5.8.2.2 Pair of self-tightening grips, capable of holding the test specimen without slippage.

5.8.3 Test specimens

Unless determined by a particular hose specification or otherwise agreed upon between interested parties, the type of test specimen shall be selected in accordance with ISO 8033.

The actual width of each test specimen shall be measured and recorded prior to the test.

5.8.4 Conditioning

The test specimens shall be conditioned for at least 16 h in one of the following standard atmospheres: $(23 \pm 2)^\circ\text{C}$ and $(50 \pm 5)\%$ relative humidity, or $(27 \pm 2)^\circ\text{C}$ and $(65 \pm 5)\%$ relative humidity, in accordance with ISO 23529. Test specimens shall not be tested within 24 h of manufacture.

5.8.5 Procedure

5.8.5.1 Mount the test specimen in the grips (5.8.2.2) so that the angle of separation is approximately 180° for a strip test piece or 90° for a ring test specimen.

Adjust the apparatus (5.8.2.1) to ensure that tension is distributed uniformly and that no twisting of the test specimen occurs. The power-driven grip shall provide a rate of ply separation of 50 ± 5 mm/min, with the applied force acting in the plane of separation.

5.8.5.2 During the test record the force, in newtons, over a length of separation of 100 mm minimum or the maximum distance possible if the test specimen is less than 100 mm long.

5.8.5.3 The test apparatus (5.8.2.1) shall record, in graphic form, the variations in the force required to separate the plies of a test specimen.

5.8.6 Expression of results

Determine the median peak force using the appropriate method specified in ISO 6133. Divide the median peak force by the effective width of the test specimen and express the adhesion strength of the test specimen in kilonewtons per metre (kN/m).

6 Criteria for acceptance

Satisfactory compliance with all the applicable requirements of this document and the relevant hose and hose fittings standards is required for acceptance of the hose assemblies.

7 Identification statement (reference to this document)

Manufacturers are strongly recommended to use the following statement in test reports, catalogues and sales literature when electing to comply with this document:

“Test requirements for hoses and hose assemblies in accordance with ISO 6605, Hydraulic fluid power — Test methods for hoses and hose assemblies.”

Bibliography

- [1] ISO 1436, *Rubber hoses and hose assemblies — Wire-braid-reinforced hydraulic types for oil-based or water-based fluids — Specification*
- [2] ISO 1817, *Rubber, vulcanized or thermoplastic — Determination of the effect of liquids*
- [3] ISO 3862, *Rubber hoses and hose assemblies — Rubber-covered spiral-wire-reinforced hydraulic types for oil-based or water-based fluids — Specification*
- [4] ISO 3949, *Plastics hoses and hose assemblies — Textile-reinforced types for hydraulic applications — Specification*
- [5] ISO 4079, *Rubber hoses and hose assemblies — Textile-reinforced hydraulic types for oil-based or water-based fluids — Specification*
- [6] ISO 4957, *Tool steels*
- [7] ISO 6803, *Rubber or plastics hoses and hose assemblies — Hydraulic-pressure impulse test without flexing*
- [8] ISO 7233, *Rubber and plastics hoses and hose assemblies — Determination of suction resistance*
- [9] ISO 7326, *Rubber and plastics hoses — Assessment of ozone resistance under static conditions*
- [10] ISO 10619-2, *Rubber and plastics hoses and tubing — Measurement of flexibility and stiffness — Part 2: Bending tests at sub-ambient temperatures*
- [11] ISO 11237, *Rubber hoses and hose assemblies — Compact wire-braid-reinforced hydraulic types for oil-based or water-based fluids — Specification*
- [12] ISO 12151-1, *Connections for hydraulic fluid power and general use — Hose fittings — Part 1: Hose fittings with ISO 8434-3 O-ring face seal ends*
- [13] ISO 12151-2, *Connections for hydraulic fluid power and general use — Hose fittings — Part 2: Hose fittings with ISO 8434-1 and ISO 8434-4 24 degree cone connector ends with O-rings*
- [14] ISO 12151-3, *Connections for hydraulic fluid power and general use — Hose fittings — Part 3: Hose fittings with ISO 6162-1 or ISO 6162-2 flange ends*
- [15] ISO 12151-4, *Connections for hydraulic fluid power and general use — Hose fittings — Part 4: Hose fittings with ISO 6149 metric stud ends*
- [16] ISO 12151-5, *Connections for hydraulic fluid power and general use — Hose fittings — Part 5: Hose fittings with ISO 8434-2 37 degree flared ends*
- [17] ISO 12151-6, *Connections for hydraulic fluid power and general use — Hose fittings — Part 6: Hose fittings with ISO 8434-6 60 degree cone ends*
- [18] ISO 18752, *Rubber hoses and hose assemblies — Wire- or textile-reinforced single-pressure types for hydraulic applications — Specification*
- [19] ISO 23297, *Thermoplastics hoses and hose assemblies — Wire or synthetic yarn reinforced single-pressure types for hydraulic applications — Specification*

British Standards Institution (BSI)

BSI is the national body responsible for preparing British Standards and other standards-related publications, information and services.

BSI is incorporated by Royal Charter. British Standards and other standardization products are published by BSI Standards Limited.

About us

We bring together business, industry, government, consumers, innovators and others to shape their combined experience and expertise into standards-based solutions.

The knowledge embodied in our standards has been carefully assembled in a dependable format and refined through our open consultation process. Organizations of all sizes and across all sectors choose standards to help them achieve their goals.

Information on standards

We can provide you with the knowledge that your organization needs to succeed. Find out more about British Standards by visiting our website at bsigroup.com/standards or contacting our Customer Services team or Knowledge Centre.

Buying standards

You can buy and download PDF versions of BSI publications, including British and adopted European and international standards, through our website at bsigroup.com/shop, where hard copies can also be purchased.

If you need international and foreign standards from other Standards Development Organizations, hard copies can be ordered from our Customer Services team.

Copyright in BSI publications

All the content in BSI publications, including British Standards, is the property of and copyrighted by BSI or some person or entity that owns copyright in the information used (such as the international standardization bodies) and has formally licensed such information to BSI for commercial publication and use.

Save for the provisions below, you may not transfer, share or disseminate any portion of the standard to any other person. You may not adapt, distribute, commercially exploit, or publicly display the standard or any portion thereof in any manner whatsoever without BSI's prior written consent.

Storing and using standards

Standards purchased in soft copy format:

- A British Standard purchased in soft copy format is licensed to a sole named user for personal or internal company use only.
- The standard may be stored on more than 1 device provided that it is accessible by the sole named user only and that only 1 copy is accessed at any one time.
- A single paper copy may be printed for personal or internal company use only.

Standards purchased in hard copy format:

- A British Standard purchased in hard copy format is for personal or internal company use only.
- It may not be further reproduced – in any format – to create an additional copy. This includes scanning of the document.

If you need more than 1 copy of the document, or if you wish to share the document on an internal network, you can save money by choosing a subscription product (see 'Subscriptions').

Reproducing extracts

For permission to reproduce content from BSI publications contact the BSI Copyright & Licensing team.

Subscriptions

Our range of subscription services are designed to make using standards easier for you. For further information on our subscription products go to bsigroup.com/subscriptions.

With **British Standards Online (BSOL)** you'll have instant access to over 55,000 British and adopted European and international standards from your desktop. It's available 24/7 and is refreshed daily so you'll always be up to date.

You can keep in touch with standards developments and receive substantial discounts on the purchase price of standards, both in single copy and subscription format, by becoming a **BSI Subscribing Member**.

PLUS is an updating service exclusive to BSI Subscribing Members. You will automatically receive the latest hard copy of your standards when they're revised or replaced.

To find out more about becoming a BSI Subscribing Member and the benefits of membership, please visit bsigroup.com/shop.

With a **Multi-User Network Licence (MUNL)** you are able to host standards publications on your intranet. Licences can cover as few or as many users as you wish. With updates supplied as soon as they're available, you can be sure your documentation is current. For further information, email subscriptions@bsigroup.com.

Revisions

Our British Standards and other publications are updated by amendment or revision.

We continually improve the quality of our products and services to benefit your business. If you find an inaccuracy or ambiguity within a British Standard or other BSI publication please inform the Knowledge Centre.

Useful Contacts

Customer Services

Tel: +44 345 086 9001

Email (orders): orders@bsigroup.com

Email (enquiries): cservices@bsigroup.com

Subscriptions

Tel: +44 345 086 9001

Email: subscriptions@bsigroup.com

Knowledge Centre

Tel: +44 20 8996 7004

Email: knowledgecentre@bsigroup.com

Copyright & Licensing

Tel: +44 20 8996 7070

Email: copyright@bsigroup.com

BSI Group Headquarters

389 Chiswick High Road London W4 4AL UK