

Connections for hydraulic fluid power and general use — Ports and stud ends with ISO 261 metric threads and O-ring sealing —

**Part 1: Ports with truncated housing for
O-ring seal**

ICS 23.100.40

National foreword

This British Standard reproduces verbatim ISO 6149-1:2006 and implements it as the UK national standard. It supersedes BS ISO 6149-1:1993 which is withdrawn.

The UK participation in its preparation was entrusted by Technical Committee MCE/18, Fluid powers systems and components, to Subcommittee MCE/18/-/4, Connectors and associated components, which has the responsibility to:

- aid enquirers to understand the text;
- present to the responsible international/European committee any enquiries on the interpretation, or proposals for change, and keep UK interests informed;
- monitor related international and European developments and promulgate them in the UK.

A list of organizations represented on this subcommittee can be obtained on request to its secretary.

Cross-references

The British Standards which implement international publications referred to in this document may be found in the *BSI Catalogue* under the section entitled “International Standards Correspondence Index”, or by using the “Search” facility of the *BSI Electronic Catalogue* or of British Standards Online.

This publication does not purport to include all the necessary provisions of a contract. Users are responsible for its correct application.

Compliance with a British Standard does not of itself confer immunity from legal obligations.

Summary of pages

This document comprises a front cover, an inside front cover, the ISO title page, pages ii to iv, pages 1 to 6, an inside back cover and a back cover.

The BSI copyright notice displayed in this document indicates when the document was last issued.

This British Standard was published under the authority of the Standards Policy and Strategy Committee on 31 March 2006

© BSI 2006

ISBN 0 580 48021 6

Amendments issued since publication

Amd. No.	Date	Comments

INTERNATIONAL
STANDARD

ISO
6149-1

Second edition
2006-02-15

**Connections for hydraulic fluid power
and general use — Ports and stud ends
with ISO 261 metric threads and O-ring
sealing —**

**Part 1:
Ports with truncated housing for O-ring
seal**

*Raccordements pour transmissions hydrauliques et applications
générales — Orifices et éléments mâles à filetage métrique ISO 261 et
joint torique —*

Partie 1: Orifices à joint torique dans un logement tronconique



Reference number
ISO 6149-1:2006(E)

Foreword

ISO (the International Organization for Standardization) is a worldwide federation of national standards bodies (ISO member bodies). The work of preparing International Standards is normally carried out through ISO technical committees. Each member body interested in a subject for which a technical committee has been established has the right to be represented on that committee. International organizations, governmental and non-governmental, in liaison with ISO, also take part in the work. ISO collaborates closely with the International Electrotechnical Commission (IEC) on all matters of electrotechnical standardization.

International Standards are drafted in accordance with the rules given in the ISO/IEC Directives, Part 2.

The main task of technical committees is to prepare International Standards. Draft International Standards adopted by the technical committees are circulated to the member bodies for voting. Publication as an International Standard requires approval by at least 75 % of the member bodies casting a vote.

Attention is drawn to the possibility that some of the elements of this document may be the subject of patent rights. ISO shall not be held responsible for identifying any or all such patent rights.

ISO 6149-1 was prepared by Technical Committee ISO/TC 131, *Fluid power systems*, Subcommittee SC 4, *Connectors and similar products and components*.

This second edition cancels and replaces the first edition (ISO 6149-1:1993), which has been technically revised.

ISO 6149 consists of the following parts, under the general title *Connections for hydraulic fluid power and general use — Ports and stud ends with ISO 261 metric threads and O-ring sealing*:

- *Part 1: Ports with truncated housing for O-ring seal*
- *Part 2: Dimensions, design, test methods and requirements for heavy-duty (S series) stud ends*
- *Part 3: Dimensions, design, test methods and requirements for light-duty (L series) stud ends*
- *Part 4: Dimensions, design, test methods and requirements of external and internal hexport plugs*

Introduction

In hydraulic fluid power systems, power is transmitted and controlled through a liquid under pressure within an enclosed circuit. In general applications, a fluid (liquid or gas) may be conveyed under pressure.

Components are connected through their threaded ports by fluid conductor connectors to tubes and pipes or to hose connectors and hoses.

Ports are an integral part of fluid power components, such as pumps, motors, valves, cylinders, etc.

For threaded ports and stud ends specified in new designs in hydraulic fluid power applications, ISO/TC 131/SC 4 recommends that the ISO 6149 series be used because these International Standards specify ports and stud ends with metric threads and O-ring sealing and because the subcommittee would like to help users by recommending one preferred system. ISO/TC 131/SC 4 further recommends that threaded ports and stud ends in accordance with the ISO 1179 series, ISO 9974 series and ISO 11926 series not be used for new designs in hydraulic fluid power applications; these International Standards are maintained because they specify ports and stud ends that are currently used in hydraulic systems worldwide.

Connections for hydraulic fluid power and general use — Ports and stud ends with ISO 261 metric threads and O-ring sealing —

Part 1: Ports with truncated housing for O-ring seal

1 Scope

This part of ISO 6149 specifies dimensions for metric ports for use with the adjustable and non-adjustable stud ends detailed in ISO 6149-2 and ISO 6149-3.

Ports in accordance with this part of ISO 6149 may be used at working pressures up to 63 MPa [630 bar¹⁾] for non-adjustable stud ends and 40 MPa (400 bar) for adjustable stud ends. The permissible working pressure depends upon port size, materials, design, working conditions, application, etc. See ISO 6149-2 and ISO 6149-3 for pressure ratings.

Users of this part of ISO 6149 should ensure that there is sufficient material around the port to maintain the pressure.

NOTE The Introduction of this part of ISO 6149 gives recommendations for ports and stud ends to be used for new designs in hydraulic fluid power applications.

2 Normative references

The following referenced documents are indispensable for the application of this document. For dated references, only the edition cited applies. For undated references, the latest edition of the referenced document (including any amendments) applies.

ISO 261, *ISO general purpose metric screw threads — General plan*

ISO 965-1, *ISO general purpose metric screw threads — Tolerances — Part 1: Principles and basic data*

ISO 2306, *Drills for use prior to tapping screw threads*

ISO 5598²⁾, *Fluid power systems and components — Vocabulary*

ISO 6149-2, *Connections for hydraulic fluid power and general use — Ports and stud ends with ISO 261 metric threads and O-ring sealing — Part 2: Dimensions, design, test methods and requirements for heavy-duty (S series) stud ends*

1) 1 bar = 0,1 MPa = 10⁵ Pa; 1 MPa = 1 N/mm².

2) To be published. (Revision of ISO 5598:1985).

ISO 6149-3³⁾, *Connections for fluid power and general use — Ports and stud ends with ISO 261 metric threads and O-ring sealing — Part 3: Dimensions, design, test methods and requirements for light-duty (L series) stud ends*

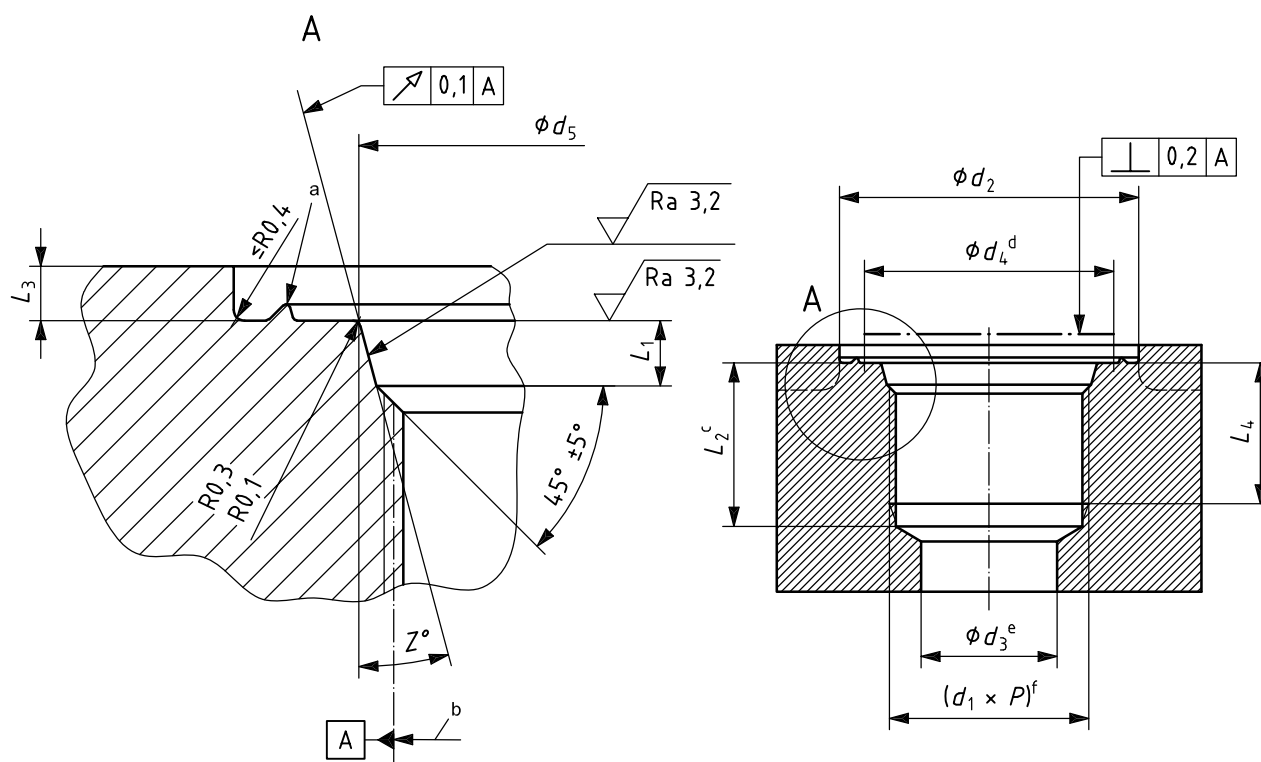
3 Terms and definitions

For the purposes of this part of ISO 6149, the terms and definitions given in ISO 5598 apply.

4 Dimensions

Ports shall conform to the dimensions shown in Figure 1 and given in Table 1.

Dimensions in millimetres,
values for surface roughness in micrometres



- a Optional identification of port; see Figure 2 and Clause 7.
- b Pitch diameter.
- c This dimension only applies when tap drill cannot pass through entire boss.
- d Gauging.
- e Reference only.
- f Thread.

Figure 1 — Port

3) To be published. (Revision of ISO 6149-3:1993).

Table 1 — Port dimensions

Dimensions in millimetres

Thread ^a ($d_1 \times P$)	d_2		d_3^b ref.	d_4	d_5 $+0,1$ 0	L_1 $+0,4$ 0	L_2^c min.	L_3 max.	L_4 min.	Z° $\pm 1^\circ$
	wide ^d min.	narrow ^e min.								
M8 × 1	17	14	3	12,5	9,1	1,6	11,5	1	10	12
M10 × 1	20	16	4,5	14,5	11,1	1,6	11,5	1	10	12
M12 × 1,5	23	19	6	17,5	13,8	2,4	14	1,5	11,5	15
M14 × 1,5 ^f	25	21	7,5	19,5	15,8	2,4	14	1,5	11,5	15
M16 × 1,5	28	24	9	22,5	17,8	2,4	15,5	1,5	13	15
M18 × 1,5	30	26	11	24,5	19,8	2,4	17	2	14,5	15
M20 × 1,5 ^g	33	29	—	27,5	21,8	2,4	—	2	14,5	15
M22 × 1,5	33	29	14	27,5	23,8	2,4	18	2	15,5	15
M27 × 2	40	34	18	32,5	29,4	3,1	22	2	19	15
M30 × 2	44	38	21	36,5	32,4	3,1	22	2	19	15
M33 × 2	49	43	23	41,5	35,4	3,1	22	2,5	19	15
M42 × 2	58	52	30	50,5	44,4	3,1	22,5	2,5	19,5	15
M48 × 2	63	57	36	55,5	50,4	3,1	25	2,5	22	15
M60 × 2	74	67	44	65,5	62,4	3,1	27,5	2,5	24,5	15

^a Conforming to ISO 261, tolerance grade 6H in accordance with ISO 965-1. Tap drills in accordance with ISO 2306, class 6H.

^b For reference only. Connecting hole application may require a different size.

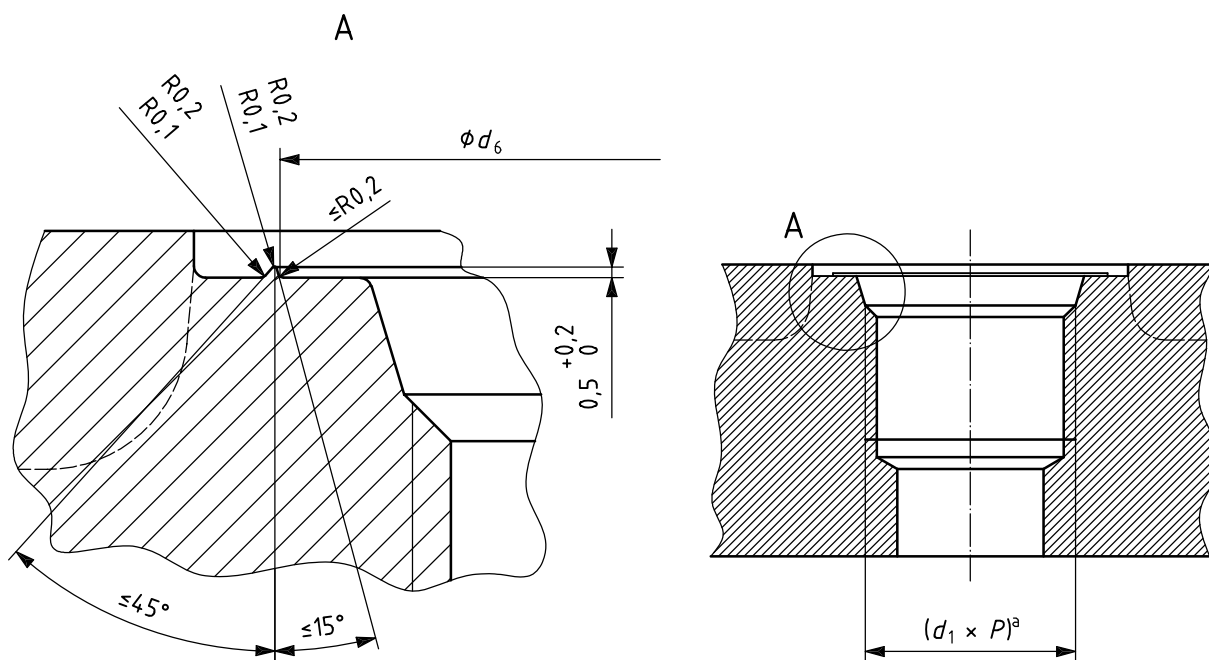
^c The tap drill depths given require the use of a bottoming tap to produce the specified full thread lengths. Where standard taps are used, the tap drill depths shall be increased accordingly.

^d Spotface diameter with identification ridge.

^e Spotface diameter without identification ridge.

^f Preferred for diagnostic port applications.

^g For cartridge valve cavity applications only (see ISO 7789).



a Thread.

Figure 2 — Optional port identification

Table 2 — Optional port identification⁴⁾

Dimensions in millimetres

Thread ($d_1 \times P$)	d_6 $+0,5$ 0
M8 × 1	14
M10 × 1	16
M12 × 1,5	19
M14 × 1,5	21
M16 × 1,5	24
M18 × 1,5	26
M20 × 1,5 ^a	29
M22 × 1,5	29
M27 × 2	34
M30 × 2	38
M33 × 2	43
M42 × 2	52
M48 × 2	57
M60 × 2	67

^a For cartridge valve cavities only (see ISO 7789).

4) See Clause 7.

5 Test methods

Ports shall be tested along with stud ends in accordance with the test methods and requirements given in ISO 6149-2 and ISO 6149-3. For rated pressures lower than those specified in ISO 6149-2 and ISO 6149-3, the test pressures shall be agreed upon between the manufacturer and user.

6 Designation of ports

The ports shall be designated by

- a) "Port";
- b) reference to this part of ISO 6149, i.e. ISO 6149-1;
- c) thread size ($d_1 \times P$).

EXAMPLE A port in accordance with this part of ISO 6149, with a thread M18× 1,5 is designated as follows:

Port ISO 6149-1 - M18 × 1,5

7 Identification

Each port in accordance with this part of ISO 6149 shall be identified by a raised ring conforming to the dimensions given in Figure 2 and Table 2, or by permanently marking "metric" or "M" next to the port, or by a permanent identification label on the component to read "ISO 6149-1 metric ports".

8 Identification statement (reference to this part of ISO 6149)

It is strongly recommended to manufacturers who have chosen to conform to this International Standard that the following statement be used in test reports, catalogues and sales literature:

"Ports conform to ISO 6149-1:2006, Connections for hydraulic fluid power and general use — Ports and stud ends with ISO 261 metric threads and O-ring sealing — Part 1: Ports with truncated housing for O-ring seal."

Bibliography

- [1] ISO 1101, *Technical drawings — Geometrical tolerancing — Tolerances of form, orientation, location and run-out — Generalities, definitions, symbols, indications on drawings*
- [2] ISO 1179-1⁵⁾, *Connections for general use and fluid power — Ports and stud ends with ISO 228-1 threads with elastomeric or metal-to-metal sealing — Part 1: Threaded ports*
- [3] ISO 1179-2⁵⁾, *Connections for general use and fluid power — Ports and stud ends with ISO 228-1 threads with elastomeric or metal-to-metal sealing — Part 2: Heavy-duty (S series) and light-duty (L series) stud ends and elastomeric sealing (type E)*
- [4] ISO 1179-3⁵⁾, *Connections for general use and fluid power — Ports and stud ends with ISO 228-1 threads with elastomeric or metal-to-metal sealing — Part 3: Light-duty (L series) stud ends with sealing by O-ring with retaining ring (types G and H)*
- [5] ISO 1179-4⁵⁾, *Connections for general use and fluid power — Ports and stud ends with ISO 228-1 threads with elastomeric or metal-to-metal sealing — Part 4: Stud ends for general use only with metal-to-metal sealing (type B)*
- [6] ISO 1302, *Geometrical Product Specifications (GPS) — Indication of surface texture in technical product documentation*
- [7] ISO 6410-1, *Technical drawings — Screw threads and threaded parts — Part 1: General conventions*
- [8] ISO 7789, *Hydraulic fluid power — Two-, three- and four-port screw-in cartridge valves — Cavities*
- [9] ISO 9974-1, *Connections for general use and fluid power — Ports and stud ends with ISO 261 threads or elastomeric or metal-to-metal sealing — Part 1: Threaded ports*
- [10] ISO 9974-2, *Connections for general use and fluid power — Ports and stud ends with ISO 261 threads or elastomeric or metal-to-metal sealing — Part 2: Stud ends with elastomeric sealing (type E)*
- [11] ISO 9974-3, *Connections for general use and fluid power — Ports and stud ends with ISO 261 threads or elastomeric or metal-to-metal sealing — Part 3: Stud ends with metal-to-metal sealing (type B)*
- [12] ISO 11926-1, *Connections for general use and fluid power — Ports and stud ends with ISO 725 threads and O-ring sealing — Part 1: Ports with O-ring seal in truncated housing*
- [13] ISO 11926-2, *Connections for general use and fluid power — Ports and stud ends with ISO 725 threads and O-ring sealing — Part 2: Heavy-duty (S series) stud ends*
- [14] ISO 11926-3, *Connections for general use and fluid power — Ports and stud ends with ISO 725 threads and O-ring sealing — Part 3: Light-duty (L series) stud ends*

5) To be published. (Partial revision of ISO 1179:1981).

BSI — British Standards Institution

BSI is the independent national body responsible for preparing British Standards. It presents the UK view on standards in Europe and at the international level. It is incorporated by Royal Charter.

Revisions

British Standards are updated by amendment or revision. Users of British Standards should make sure that they possess the latest amendments or editions.

It is the constant aim of BSI to improve the quality of our products and services. We would be grateful if anyone finding an inaccuracy or ambiguity while using this British Standard would inform the Secretary of the technical committee responsible, the identity of which can be found on the inside front cover.
Tel: +44 (0)20 8996 9000. Fax: +44 (0)20 8996 7400.

BSI offers members an individual updating service called PLUS which ensures that subscribers automatically receive the latest editions of standards.

Buying standards

Orders for all BSI, international and foreign standards publications should be addressed to Customer Services. Tel: +44 (0)20 8996 9001.
Fax: +44 (0)20 8996 7001. Email: orders@bsi-global.com. Standards are also available from the BSI website at <http://www.bsi-global.com>.

In response to orders for international standards, it is BSI policy to supply the BSI implementation of those that have been published as British Standards, unless otherwise requested.

Information on standards

BSI provides a wide range of information on national, European and international standards through its Library and its Technical Help to Exporters Service. Various BSI electronic information services are also available which give details on all its products and services. Contact the Information Centre.
Tel: +44 (0)20 8996 7111. Fax: +44 (0)20 8996 7048. Email: info@bsi-global.com.

Subscribing members of BSI are kept up to date with standards developments and receive substantial discounts on the purchase price of standards. For details of these and other benefits contact Membership Administration.
Tel: +44 (0)20 8996 7002. Fax: +44 (0)20 8996 7001.
Email: membership@bsi-global.com.

Information regarding online access to British Standards via British Standards Online can be found at <http://www.bsi-global.com/bsonline>.

Further information about BSI is available on the BSI website at <http://www.bsi-global.com>.

Copyright

Copyright subsists in all BSI publications. BSI also holds the copyright, in the UK, of the publications of the international standardization bodies. Except as permitted under the Copyright, Designs and Patents Act 1988 no extract may be reproduced, stored in a retrieval system or transmitted in any form or by any means – electronic, photocopying, recording or otherwise – without prior written permission from BSI.

This does not preclude the free use, in the course of implementing the standard, of necessary details such as symbols, and size, type or grade designations. If these details are to be used for any other purpose than implementation then the prior written permission of BSI must be obtained.

Details and advice can be obtained from the Copyright & Licensing Manager.
Tel: +44 (0)20 8996 7070. Fax: +44 (0)20 8996 7553.
Email: copyright@bsi-global.com.