

BS ISO 5692-2:2002



BSI Standards Publication

Agricultural vehicles — Mechanical connections on towed vehicles

Part 2: Coupling ring 40 with socket

bsi.

...making excellence a habit.™

National foreword

This British Standard is the UK implementation of ISO 5692-2:2002.

The UK participation in its preparation was entrusted to Technical Committee AGE/6, Agricultural tractors and forestry machinery.

A list of organizations represented on this committee can be obtained on request to its secretary.

This publication does not purport to include all the necessary provisions of a contract. Users are responsible for its correct application.

© The British Standards Institution 2014. Published by BSI Standards Limited 2014

ISBN 978 0 580 84902 2

ICS 65.060.10

Compliance with a British Standard cannot confer immunity from legal obligations.

This British Standard was published under the authority of the Standards Policy and Strategy Committee on 28 February 2014.

Amendments issued since publication

Date	Text affected
------	---------------

INTERNATIONAL STANDARD

ISO
5692-2

First edition
2002-03-15

Agricultural vehicles — Mechanical connections on towed vehicles —

Part 2: Coupling ring 40 with socket

*Véhicules agricoles — Liaisons mécaniques sur véhicules remorqués —
Partie 2: Anneau d'attelage 40 avec douille*



Reference number
ISO 5692-2:2002(E)

© ISO 2002

PDF disclaimer

This PDF file may contain embedded typefaces. In accordance with Adobe's licensing policy, this file may be printed or viewed but shall not be edited unless the typefaces which are embedded are licensed to and installed on the computer performing the editing. In downloading this file, parties accept therein the responsibility of not infringing Adobe's licensing policy. The ISO Central Secretariat accepts no liability in this area.

Adobe is a trademark of Adobe Systems Incorporated.

Details of the software products used to create this PDF file can be found in the General Info relative to the file; the PDF-creation parameters were optimized for printing. Every care has been taken to ensure that the file is suitable for use by ISO member bodies. In the unlikely event that a problem relating to it is found, please inform the Central Secretariat at the address given below.

© ISO 2002

All rights reserved. Unless otherwise specified, no part of this publication may be reproduced or utilized in any form or by any means, electronic or mechanical, including photocopying and microfilm, without permission in writing from either ISO at the address below or ISO's member body in the country of the requester.

ISO copyright office
Case postale 56 • CH-1211 Geneva 20
Tel. + 41 22 749 01 11
Fax + 41 22 749 09 47
E-mail copyright@iso.ch
Web www.iso.ch

Foreword

ISO (the International Organization for Standardization) is a worldwide federation of national standards bodies (ISO member bodies). The work of preparing International Standards is normally carried out through ISO technical committees. Each member body interested in a subject for which a technical committee has been established has the right to be represented on that committee. International organizations, governmental and non-governmental, in liaison with ISO, also take part in the work. ISO collaborates closely with the International Electrotechnical Commission (IEC) on all matters of electrotechnical standardization.

International Standards are drafted in accordance with the rules given in the ISO/IEC Directives, Part 3.

Draft International Standards adopted by the technical committees are circulated to the member bodies for voting. Publication as an International Standard requires approval by at least 75 % of the member bodies casting a vote.

Attention is drawn to the possibility that some of the elements of this part of ISO 5692 may be the subject of patent rights. ISO shall not be held responsible for identifying any or all such patent rights.

International Standard ISO 5692-2 was prepared by Technical Committee ISO/TC 23, *Tractors and machinery for agriculture and forestry*, Subcommittee SC 4, *Tractors*.

ISO 5692 consists of the following parts, under the general title *Agricultural vehicles — Mechanical connections on towed vehicles*:

— *Part 2: Coupling ring 40 with socket*

Hitch-rings will be the subject of a future part 1 to ISO 5692.

Agricultural vehicles — Mechanical connections on towed vehicles —

Part 2: Coupling ring 40 with socket

1 Scope

This part of ISO 5692 specifies the requirements for vehicle coupling rings with a ring inside diameter of 40 mm for coupling with the drawbar coupling specified in ISO 6489-2, and for ensuring vehicle coupling with the necessary horizontal and vertical rotation angle.

This part of ISO 5692 is applicable to couplings where the vertical static load is not more than 2 000 kg and the dynamic horizontal load is not more than the D value of 120 kN.

NOTE For value D , see ISO 6489-2.

2 Normative references

The following normative documents contain provisions which, through reference in this text, constitute provisions of this part of ISO 5692. For dated references, subsequent amendments to, or revisions of, any of these publications do not apply. However, parties to agreements based on this part of ISO 5692 are encouraged to investigate the possibility of applying the most recent editions of the normative documents indicated below. For undated references, the latest edition of the normative document referred to applies. Members of ISO and IEC maintain registers of currently valid International Standards.

ISO 286-1:1988, *ISO system of limits and fits — Part 1: Bases of tolerances, deviations and fits*

ISO 683-1:1987, *Heat-treatable steels, alloy steels and free-cutting steels — Part 1: Direct-hardening unalloyed and low-alloyed wrought steel in form of different black products*

ISO 2768-1:1989, *General tolerances — Part 1: Tolerances for linear and angular dimensions without individual tolerance indications*

ISO 6489-2:—¹⁾, *Agricultural vehicles — Mechanical connections between towed and towing vehicles — Part 2: Dimensions of drawbar coupling 40*

1) To be published. (Revision of ISO 6489-2:1980)

3 Dimensions

3.1 General

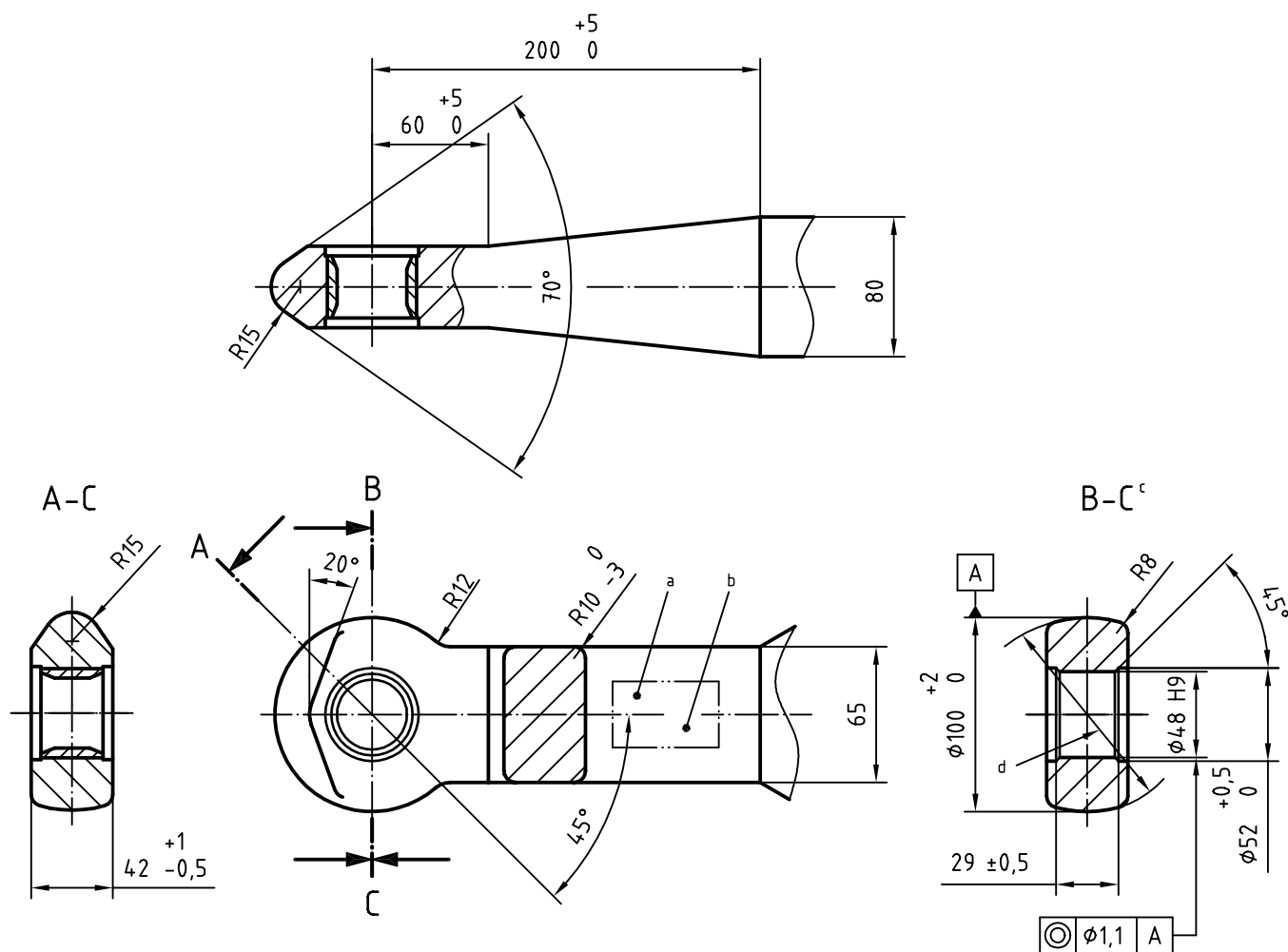
Details not specified in this part of ISO 5692 shall be chosen appropriately. Tolerances on dimensions without individual tolerance indications shall be chosen in accordance with tolerance class c specified in ISO 2768-1:1989.

Limits and fits shall be in accordance with ISO 286-1.

3.2 Dimensions of coupling ring

The coupling ring shall be made to shape A or shape B as shown in Figure 1 and Figure 2, respectively.

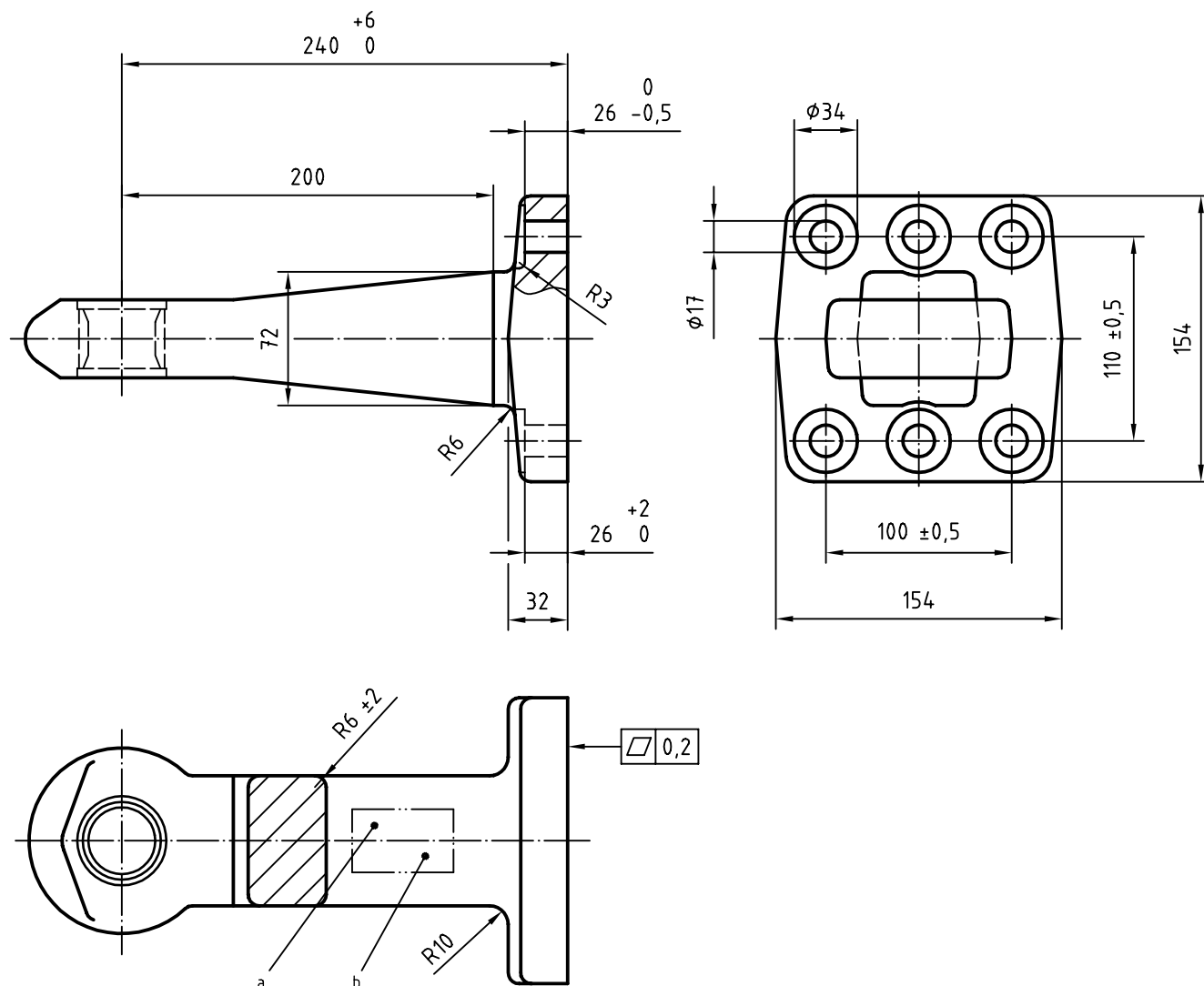
Dimensions in millimetres



- a Identification of this part of ISO 5692.
- b Mark of manufacturer.
- c Presented without socket.
- d Spherical.

Figure 1 — Ring with welding end — Shape A

Dimensions in millimetres



NOTE Other dimensions are as for shape A.

a Identification of this part of ISO 5692.

b Mark of manufacturer.

Figure 2 — Ring with flange end — Shape B

3.3 Dimension for sockets

Sockets shall be made to the dimensions shown in Figure 3.

4 Material

4.1 Ring

4.1.1 Coupling ring shape A

Instructions on the welding procedure shall be provided with each ring.

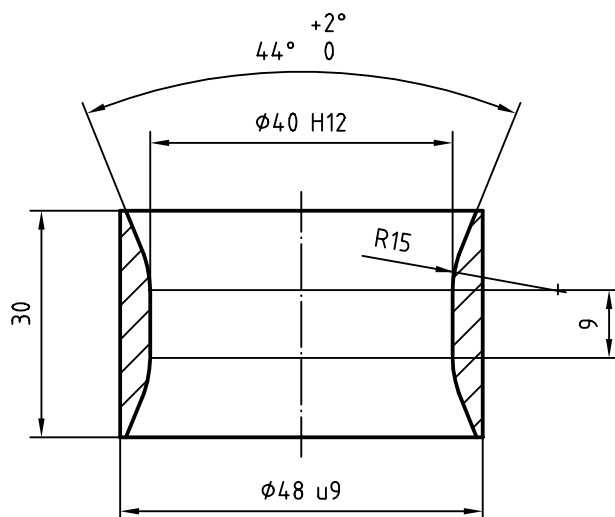


Figure 3 — Socket

Weldable material shall be chosen by the manufacturer. The welding procedure shall be chosen so that the hardness increase at the welding contact surfaces does not exceed 300 HV 30 (i.e. preheating for welding to ≈ 250 °C).

4.1.2 Ring shape B

At the manufacturer's discretion.

4.2 Socket

The socket shall be of CT ISO 683-1 42CrMo 4 steel.

5 Requirements

The socket shall not be welded or slotted. It shall be connected to the ring body, so that it cannot be moved during travelling.

The ring shapes A and B shall be tested for cracks using a test procedure of the manufacturer's choice.

6 Marking

The identification of this part of ISO 5692 and the manufacturer's mark on the drawbar shall be attached to the coupling ring in a durable and clearly legible way (see Figure 1 and Figure 2).

7 Designation

EXAMPLE 1 Designation of a coupling ring 40 shape A with socket:

Coupling ring ISO 5692-2-A-40

EXAMPLE 2 Designation of a socket for a coupling ring 40:

Socket ISO 5692-2-40

BS ISO 5692-2:2002

ISO 5692-2:2002(E)

ICS 65.060.10

Price based on 4 pages

© ISO 2002 – All rights reserved

British Standards Institution (BSI)

BSI is the national body responsible for preparing British Standards and other standards-related publications, information and services.

BSI is incorporated by Royal Charter. British Standards and other standardization products are published by BSI Standards Limited.

About us

We bring together business, industry, government, consumers, innovators and others to shape their combined experience and expertise into standards-based solutions.

The knowledge embodied in our standards has been carefully assembled in a dependable format and refined through our open consultation process. Organizations of all sizes and across all sectors choose standards to help them achieve their goals.

Information on standards

We can provide you with the knowledge that your organization needs to succeed. Find out more about British Standards by visiting our website at bsigroup.com/standards or contacting our Customer Services team or Knowledge Centre.

Buying standards

You can buy and download PDF versions of BSI publications, including British and adopted European and international standards, through our website at bsigroup.com/shop, where hard copies can also be purchased.

If you need international and foreign standards from other Standards Development Organizations, hard copies can be ordered from our Customer Services team.

Subscriptions

Our range of subscription services are designed to make using standards easier for you. For further information on our subscription products go to bsigroup.com/subscriptions.

With **British Standards Online (BSOL)** you'll have instant access to over 55,000 British and adopted European and international standards from your desktop. It's available 24/7 and is refreshed daily so you'll always be up to date.

You can keep in touch with standards developments and receive substantial discounts on the purchase price of standards, both in single copy and subscription format, by becoming a **BSI Subscribing Member**.

PLUS is an updating service exclusive to BSI Subscribing Members. You will automatically receive the latest hard copy of your standards when they're revised or replaced.

To find out more about becoming a BSI Subscribing Member and the benefits of membership, please visit bsigroup.com/shop.

With a **Multi-User Network Licence (MUNL)** you are able to host standards publications on your intranet. Licences can cover as few or as many users as you wish. With updates supplied as soon as they're available, you can be sure your documentation is current. For further information, email bsmusales@bsigroup.com.

BSI Group Headquarters

389 Chiswick High Road London W4 4AL UK

Revisions

Our British Standards and other publications are updated by amendment or revision.

We continually improve the quality of our products and services to benefit your business. If you find an inaccuracy or ambiguity within a British Standard or other BSI publication please inform the Knowledge Centre.

Copyright

All the data, software and documentation set out in all British Standards and other BSI publications are the property of and copyrighted by BSI, or some person or entity that owns copyright in the information used (such as the international standardization bodies) and has formally licensed such information to BSI for commercial publication and use. Except as permitted under the Copyright, Designs and Patents Act 1988 no extract may be reproduced, stored in a retrieval system or transmitted in any form or by any means – electronic, photocopying, recording or otherwise – without prior written permission from BSI. Details and advice can be obtained from the Copyright & Licensing Department.

Useful Contacts:

Customer Services

Tel: +44 845 086 9001

Email (orders): orders@bsigroup.com

Email (enquiries): cservices@bsigroup.com

Subscriptions

Tel: +44 845 086 9001

Email: subscriptions@bsigroup.com

Knowledge Centre

Tel: +44 20 8996 7004

Email: knowledgecentre@bsigroup.com

Copyright & Licensing

Tel: +44 20 8996 7070

Email: copyright@bsigroup.com



...making excellence a habit.™