

BS ISO 5611-9:2015



BSI Standards Publication

# Cartridges, type A, for indexable inserts

Part 9: Style T

**bsi.**

...making excellence a habit.™

**National foreword**

This British Standard is the UK implementation of ISO 5611-9:2015. Together with BS ISO 5611-1, BS ISO 5611-2, BS ISO 5611-3, BS ISO 5611-4, BS ISO 5611-5, BS ISO 5611-6, BS ISO 5611-7, BS ISO 5611-8, BS ISO 5611-10, BS ISO 5611-11 and BS ISO 5611-12 it supersedes BS 4193-8:1997 (dual numbered as ISO 5611:1995) which will be withdrawn upon publication of the rest of the parts in this series.

The UK participation in its preparation was entrusted to Technical Committee MTE/18, Tools tips and inserts for cutting applications.

A list of organizations represented on this committee can be obtained on request to its secretary.

This publication does not purport to include all the necessary provisions of a contract. Users are responsible for its correct application.

© The British Standards Institution 2015.  
Published by BSI Standards Limited 2015

ISBN 978 0 580 88420 7

ICS 25.100.01

**Compliance with a British Standard cannot confer immunity from legal obligations.**

This British Standard was published under the authority of the Standards Policy and Strategy Committee on 30 November 2015.

**Amendments/corrigenda issued since publication**

Date	Text affected
------	---------------

---

INTERNATIONAL  
STANDARD

**ISO**  
**5611-9**

First edition  
2015-11-01

---

---

**Cartridges, type A, for indexable  
inserts —**

Part 9:  
**Style T**

*Cartouches du type A, à plaquettes amovibles —*

*Partie 9: Forme T*



Reference number  
ISO 5611-9:2015(E)



**COPYRIGHT PROTECTED DOCUMENT**

© ISO 2015, Published in Switzerland

All rights reserved. Unless otherwise specified, no part of this publication may be reproduced or utilized otherwise in any form or by any means, electronic or mechanical, including photocopying, or posting on the internet or an intranet, without prior written permission. Permission can be requested from either ISO at the address below or ISO's member body in the country of the requester.

ISO copyright office  
Ch. de Blandonnet 8 • CP 401  
CH-1214 Vernier, Geneva, Switzerland  
Tel. +41 22 749 01 11  
Fax +41 22 749 09 47  
copyright@iso.org  
www.iso.org

# Contents

	Page
Foreword .....	iv
<b>1 Scope .....</b>	<b>1</b>
<b>2 Normative references .....</b>	<b>1</b>
<b>3 Dimensions .....</b>	<b>1</b>
<b>4 Designation .....</b>	<b>4</b>
<b>5 Material .....</b>	<b>5</b>
<b>6 Design .....</b>	<b>5</b>
6.1 Method of holding .....	5
6.2 Corner radius $r_{\epsilon}$ .....	5
6.3 Adjusting screw .....	6
<b>7 Extent of delivery .....</b>	<b>6</b>
<b>8 Marking .....</b>	<b>6</b>

## Foreword

ISO (the International Organization for Standardization) is a worldwide federation of national standards bodies (ISO member bodies). The work of preparing International Standards is normally carried out through ISO technical committees. Each member body interested in a subject for which a technical committee has been established has the right to be represented on that committee. International organizations, governmental and non-governmental, in liaison with ISO, also take part in the work. ISO collaborates closely with the International Electrotechnical Commission (IEC) on all matters of electrotechnical standardization.

The procedures used to develop this document and those intended for its further maintenance are described in the ISO/IEC Directives, Part 1. In particular the different approval criteria needed for the different types of ISO documents should be noted. This document was drafted in accordance with the editorial rules of the ISO/IEC Directives, Part 2 (see [www.iso.org/directives](http://www.iso.org/directives)).

Attention is drawn to the possibility that some of the elements of this document may be the subject of patent rights. ISO shall not be held responsible for identifying any or all such patent rights. Details of any patent rights identified during the development of the document will be in the Introduction and/or on the ISO list of patent declarations received (see [www.iso.org/patents](http://www.iso.org/patents)).

Any trade name used in this document is information given for the convenience of users and does not constitute an endorsement.

For an explanation on the meaning of ISO specific terms and expressions related to conformity assessment, as well as information about ISO's adherence to the WTO principles in the Technical Barriers to Trade (TBT) see the following URL: [Foreword - Supplementary information](#)

The committee responsible for this document is ISO/TC 29, *Small tools*, Subcommittee SC 9, *Tools with defined cutting edges, cutting items*.

This first edition of ISO 5611-9, together with ISO 5611-1, ISO 5611-2, ISO 5611-3, ISO 5611-4, ISO 5611-5, ISO 5611-6, ISO 5611-7, ISO 5611-8, ISO 5611-10, ISO 5611-11, and ISO 5611-12, cancels and replaces ISO 5611:1995, which has been technically revised.

ISO 5611 consists of the following parts, under the general title *Cartridges, type A, for indexable inserts*:

- *Part 1: General survey, correlation and determination of dimensions*
- *Part 2: Style F*
- *Part 3: Style G*
- *Part 4: Style J*
- *Part 5: Style K*
- *Part 6: Style L*
- *Part 7: Style R*
- *Part 8: Style S*
- *Part 9: Style T*
- *Part 10: Style U*
- *Part 11: Style W*
- *Part 12: Style Y*

# Cartridges, type A, for indexable inserts —

## Part 9: Style T

### 1 Scope

This part of ISO 5611 applies for cartridges type A, with hole(s) for fastening screw(s), of style T, i.e. with cutting edge angle  $\kappa_r = 60^\circ$  for side cutting.

Cartridges are intended to be used with indexable inserts made of hard metal, ceramic or other cutting materials and are primarily mounted to be used for internal turning of operations.

### 2 Normative references

The following documents, in whole or in part, are normatively referenced in this document and are indispensable for its application. For dated references, only the edition cited applies. For undated references, the latest edition of the referenced document (including any amendments) applies.

ISO 1832, *Indexable inserts for cutting tools — Designation*

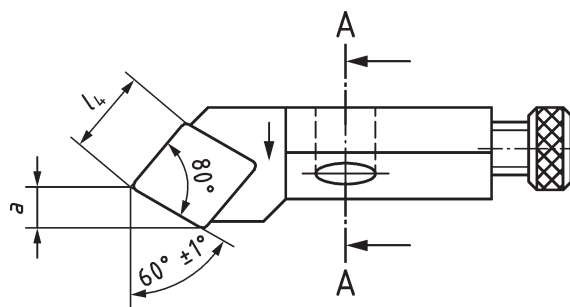
ISO 5608, *Turning and copying tool holders and cartridges for indexable inserts — Designation*

ISO 5611-1, *Cartridges, type A, for indexable inserts — Part 1: General survey, correlation and determination of dimensions*

### 3 Dimensions

Cartridges type A need not comply with the pictorial representation, only the dimensions given shall be observed.

For determination of dimensions  $h_1$ ,  $f$  and  $l_1$  ISO 5611-1. For explanation of the designation code for cartridges, see ISO 5608.



NOTE For other dimensions, see [Figure 2](#).

**Figure 1 — Style T with height  $h_1 = 6$  mm and 8 mm with rhombic indexable insert**

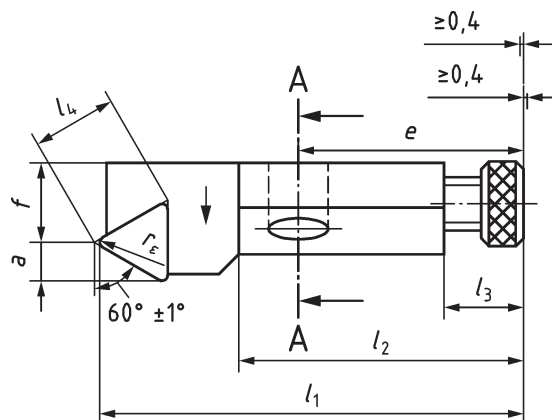
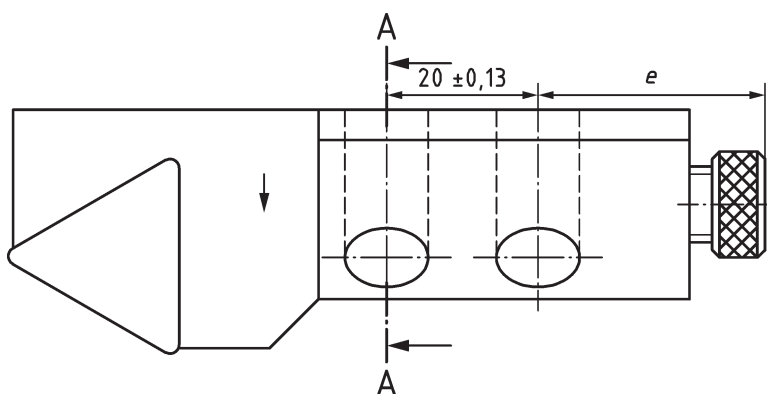


Figure 2 — Style T with height  $h_1 = 8 \text{ mm}, 10 \text{ mm}, 12 \text{ mm}, 16 \text{ mm}$  and  $20 \text{ mm}$  with triangular indexable insert



NOTE For other dimensions, see [Figure 2](#).

Figure 3 — Style T with height  $h_1 = 25 \text{ mm}$  with triangular indexable insert

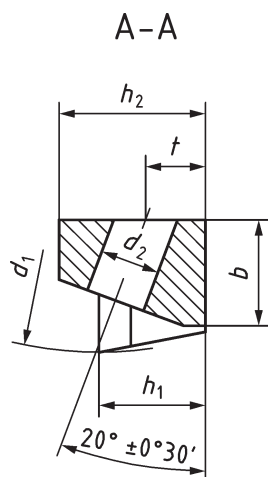


Figure 4 — Sectional drawing A-A at height  $h_1 = 6 \text{ mm}, 8 \text{ mm}, 10 \text{ mm}$  and  $12 \text{ mm}$



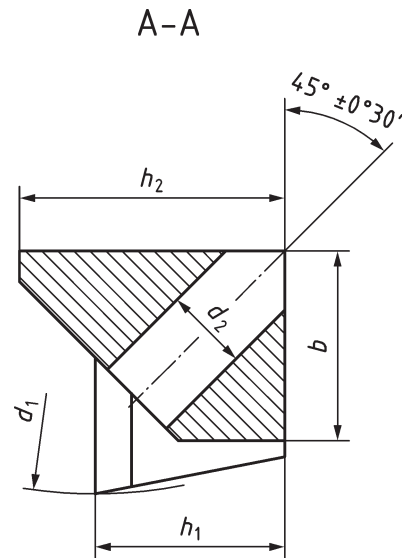


Figure 5 — Sectional drawing A-A at height  $h_1 = 16 \text{ mm}$ ,  $20 \text{ mm}$  and  $25 \text{ mm}$

NOTE Pictured is a right hand cartridge (Figure 4); left hand cartridge (Figure 5) laterally reversed.

Table 1

Dimensions in millimetres

Symbol <sup>a</sup>	$h_1$ $\pm 0,08$	$l_4$ $\approx$	$a$	$b$ $0$ $-0,2$	$d_1^b$ min.	$d_2^c$ H13	$e$	$f$ $0$ $-0,08$	$h_2$ $0$ $-0,2$	$l_1$	$l_2$ min.	$l_3$	$t$ $\pm 0,13$	Fastening screw
SCTPR 06CA — 05	6	5,6	2,6	6	20	4	12	5,5	8,5	25	16	4,5	3,5	M3,5
SCTPL 06CA — 05														
SCTCR 08CA — 06	8	6,4	3	8	25	4,5	17	6	11	32	21,5	6	4,5	M4
SCTCL 08CA — 06														
STTCR 08CA — 09	8	9,6	4,3	8	25	4,5	17	6	11	32	21,5	6	4,5	M4
STTCL 08CA — 09														
STTCR 10CA — 11	10	11	5	11	40	7	20	9	15	50	26	8	5	M6
STTCL 10CA — 11														
CTTPR 10CA — 11	12	11	5	16	50	7	20	13	20	55	26	8	6	M6
CTTPL 10CA — 11														
STTCR 12CA — 16	12	16,5	7,2	16	50	7	20	13	20	55	26	8	6	M6
STTCL 12CA — 16														
PTTNR 12CA — 16														
PTTNL 12CA — 16														

<sup>a</sup> Cartridges for indexable inserts for holding horizontally mounted with hole clamping (first letter symbol P) can be equipped with additional top and hole clamping; the letter symbol replaced P by M in this case.

<sup>b</sup> Smallest possible internal diameter for operating.

<sup>c</sup> The hole for fastening screws of the cartridges can be designed also as slotted hole at the manufacturer's option.

**Table 1** (continued)

Symbol <sup>a</sup>	$h_1$	$l_4$	$a$	$b$	$d_1^b$	$d_2^c$	$e$	$f$	$h_2$	$l_1$	$l_2$	$l_3$	$t$	Fastening screw
	$\pm 0,08$	$\approx$		$\begin{matrix} 0 \\ -0,2 \end{matrix}$	min.	H13		$\begin{matrix} 0 \\ -0,08 \end{matrix}$	$\begin{matrix} 0 \\ -0,2 \end{matrix}$		min.		$\pm 0,13$	
<b>CTTPR 16CA — 16</b>	16	16,5	7,2	20	60	9	25	15	25	63	32,5	8	—	M8
<b>CTTPL 16CA — 16</b>														
<b>PTTNR 16CA — 16</b>														
<b>PTTNL 16CA — 16</b>														
<b>STTCR 16CA — 16</b>														
<b>STTCL 16CA — 16</b>														
<b>PTTNR 20CA — 22</b>	20	22	10	20	70	9	30	15	30	70	37,5	10	—	M8
<b>PTTNL 20CA — 22</b>														
<b>PTTNR 25CA — 27</b>	25	27,5	12,2	25	100	11	30	20	35	100	59	10	—	M10
<b>PTTNL 25CA — 27</b>														
<sup>a</sup> Cartridges for indexable inserts for holding horizontally mounted with hole clamping (first letter symbol P) can be equipped with additional top and hole clamping; the letter symbol replaced P by M in this case. <sup>b</sup> Smallest possible internal diameter for operating. <sup>c</sup> The hole for fastening screws of the cartridges can be designed also as slotted hole at the manufacturer's option.														

## 4 Designation

A cartridge in accordance with this part of ISO 5611 shall be designated by:

- a) "Cartridge";
- b) reference of this part of ISO 5611, i.e. ISO 5611-4;
- c) letter symbol identifying the method of holding the insert, in accordance with ISO 5608;
- d) letter symbol identifying insert shape, in accordance with ISO 1832;
- e) letter symbol identifying cartridge style, in accordance with ISO 5608;
- f) letter symbol identifying insert normal clearance, in accordance with ISO 1832;
- g) letter symbol identifying hand of cartridge, in accordance with ISO 5608;
- h) number symbol identifying tool height (shank height of cartridges and height of cutting edge), in accordance with ISO 5608;
- i) number symbol identifying tool holder shank width or, for cartridges, letter C followed by a letter symbol identifying the cartridge type, in accordance with ISO 5608;
- j) letter symbol identifying tool length, in accordance with ISO 5608;
- k) number symbol identifying indexable insert size, in accordance with ISO 1832.

**EXAMPLE** Cartridge with screw clamping through hole (S) triangular indexable insert shape (T), cartridge style T (T), for the insert normal clearance 7° (C), right hand cartridge (R), with height  $h_1 = 12$  mm (12), cartridge Type A (CA), length  $l_1 = 47$  mm (-), edge length  $l_4 = 16,5$  mm (16) is designated as follows:

**Cartridge ISO 5611-9 - STTCR 12CA - 16**

## 5 Material

Steel with a tensile strength of at least 1 200 N/mm<sup>2</sup>.

## 6 Design

### 6.1 Method of holding

(first letter symbol identifying the method of holding the insert)

#### 6.1.1 Cartridge for indexable inserts with insert normal clearance $\alpha_n = 7^\circ$

(fourth symbol identifying insert normal clearance C)

— holding screw clamping through hole; letter symbol S, e.g. SCTCR.

#### 6.1.2 Cartridge for indexable inserts with insert normal clearance $\alpha_n = 11^\circ$

(fourth symbol identifying insert normal clearance P)

— holding with top clamping; letter symbol C, e.g. CTTPR;

— holding screw clamping through hole; letter symbol S, e.g. SCTPR.

#### 6.1.3 Cartridge for indexable inserts with insert normal clearance $\alpha_n = 0^\circ$

(fourth symbol identifying insert normal clearance N)

— holding with hole clamping; letter symbol P, e.g. PTTNR.

### 6.2 Corner radius $r_\varepsilon$

Cartridges in accordance with this part of ISO 5611 can be equipped with indexable inserts with cutting edge lengths  $l_4$  as specified in [Table 1](#) and any corner radius  $r_\varepsilon$ .

The values for  $a$ ,  $f$  and  $l_1$  given in [Table 1](#) apply to cartridges with indexable inserts having corner radii  $r_\varepsilon$  in accordance with [Table 2](#).

For cartridges with indexable inserts with corner radii other than those specified in [Table 2](#), the dimensions of  $a$ ,  $f$  and  $l_1$  shall be determined in accordance with ISO 5611-1.

The tolerances on  $h_1$  and  $f$  refer to dimensions measured with master indexable insert and master shim, if any.

**Table 2**

Dimensions in millimetres

$C\sqsupset$	$l_4$		$r_\varepsilon$
		$T\Delta$	
5,6		—	0,4
6,4		—	
—		9,52	0,8
—		12,7	
—		15,88	1,2
—		19,05	

NOTE The values given for  $r_\varepsilon$  are nominal values. The accurate values converted from the inch dimensions are 0,397 mm; 0,794 mm and 1,191 mm.

### 6.3 Adjusting screw

For the adjustment of the cartridge in the direction of the  $f$  dimension, it is the manufacturer's option to equip the cartridge with an adjustment screw.

## 7 Extent of delivery

Cartridges to be delivered with complete clamping device and adjusting screws.

## 8 Marking

Cartridges shall be marked with the letter symbol and the name or trademark of the manufacturer.

Additional marking based on the manufacturer's option or upon agreement.

Deviations in marking are based upon agreement.

The general number of this International Standard (ISO 5611) shall be given on the packaging.







# British Standards Institution (BSI)

BSI is the national body responsible for preparing British Standards and other standards-related publications, information and services.

BSI is incorporated by Royal Charter. British Standards and other standardization products are published by BSI Standards Limited.

## About us

We bring together business, industry, government, consumers, innovators and others to shape their combined experience and expertise into standards-based solutions.

The knowledge embodied in our standards has been carefully assembled in a dependable format and refined through our open consultation process. Organizations of all sizes and across all sectors choose standards to help them achieve their goals.

## Information on standards

We can provide you with the knowledge that your organization needs to succeed. Find out more about British Standards by visiting our website at [bsigroup.com/standards](http://bsigroup.com/standards) or contacting our Customer Services team or Knowledge Centre.

## Buying standards

You can buy and download PDF versions of BSI publications, including British and adopted European and international standards, through our website at [bsigroup.com/shop](http://bsigroup.com/shop), where hard copies can also be purchased.

If you need international and foreign standards from other Standards Development Organizations, hard copies can be ordered from our Customer Services team.

## Subscriptions

Our range of subscription services are designed to make using standards easier for you. For further information on our subscription products go to [bsigroup.com/subscriptions](http://bsigroup.com/subscriptions).

With **British Standards Online (BSOL)** you'll have instant access to over 55,000 British and adopted European and international standards from your desktop. It's available 24/7 and is refreshed daily so you'll always be up to date.

You can keep in touch with standards developments and receive substantial discounts on the purchase price of standards, both in single copy and subscription format, by becoming a **BSI Subscribing Member**.

**PLUS** is an updating service exclusive to BSI Subscribing Members. You will automatically receive the latest hard copy of your standards when they're revised or replaced.

To find out more about becoming a BSI Subscribing Member and the benefits of membership, please visit [bsigroup.com/shop](http://bsigroup.com/shop).

With a **Multi-User Network Licence (MUNL)** you are able to host standards publications on your intranet. Licences can cover as few or as many users as you wish. With updates supplied as soon as they're available, you can be sure your documentation is current. For further information, email [bsmusales@bsigroup.com](mailto:bsmusales@bsigroup.com).

## BSI Group Headquarters

389 Chiswick High Road London W4 4AL UK

## Revisions

Our British Standards and other publications are updated by amendment or revision.

We continually improve the quality of our products and services to benefit your business. If you find an inaccuracy or ambiguity within a British Standard or other BSI publication please inform the Knowledge Centre.

## Copyright

All the data, software and documentation set out in all British Standards and other BSI publications are the property of and copyrighted by BSI, or some person or entity that owns copyright in the information used (such as the international standardization bodies) and has formally licensed such information to BSI for commercial publication and use. Except as permitted under the Copyright, Designs and Patents Act 1988 no extract may be reproduced, stored in a retrieval system or transmitted in any form or by any means – electronic, photocopying, recording or otherwise – without prior written permission from BSI. Details and advice can be obtained from the Copyright & Licensing Department.

## Useful Contacts:

### Customer Services

**Tel:** +44 845 086 9001

**Email (orders):** [orders@bsigroup.com](mailto:orders@bsigroup.com)

**Email (enquiries):** [cservices@bsigroup.com](mailto:cservices@bsigroup.com)

### Subscriptions

**Tel:** +44 845 086 9001

**Email:** [subscriptions@bsigroup.com](mailto:subscriptions@bsigroup.com)

### Knowledge Centre

**Tel:** +44 20 8996 7004

**Email:** [knowledgecentre@bsigroup.com](mailto:knowledgecentre@bsigroup.com)

### Copyright & Licensing

**Tel:** +44 20 8996 7070

**Email:** [copyright@bsigroup.com](mailto:copyright@bsigroup.com)



...making excellence a habit.™