

BS ISO 5610-13:2014



BSI Standards Publication

# Tool holders with rectangular shank for indexable inserts

Part 13: Style T

**bsi.**

...making excellence a habit.™

**National foreword**

This British Standard is the UK implementation of ISO 5610-13:2014. It supersedes BS ISO 5610-13:2010 which is withdrawn.

The UK participation in its preparation was entrusted to Technical Committee MTE/18, Tools tips and inserts for cutting applications.

A list of organizations represented on this committee can be obtained on request to its secretary.

This publication does not purport to include all the necessary provisions of a contract. Users are responsible for its correct application.

© The British Standards Institution 2014. Published by BSI Standards Limited 2014

ISBN 978 0 580 83621 3

ICS 25.100.01

**Compliance with a British Standard cannot confer immunity from legal obligations.**

This British Standard was published under the authority of the Standards Policy and Strategy Committee on 31 August 2014.

**Amendments issued since publication**

Date	Text affected
------	---------------

---

INTERNATIONAL  
STANDARD

BS ISO 5610-13:2014

**ISO**  
**5610-13**

Second edition  
2014-09-01

---

---

**Tool holders with rectangular shank  
for indexable inserts —**

**Part 13:  
Style T**

*Porte-plaquette à queue rectangulaire pour plaquettes amovibles —  
Partie 13: Forme T*



Reference number  
ISO 5610-13:2014(E)

© ISO 2014



**COPYRIGHT PROTECTED DOCUMENT**

© ISO 2014

All rights reserved. Unless otherwise specified, no part of this publication may be reproduced or utilized otherwise in any form or by any means, electronic or mechanical, including photocopying, or posting on the internet or an intranet, without prior written permission. Permission can be requested from either ISO at the address below or ISO's member body in the country of the requester.

ISO copyright office  
Case postale 56 • CH-1211 Geneva 20  
Tel. + 41 22 749 01 11  
Fax + 41 22 749 09 47  
E-mail [copyright@iso.org](mailto:copyright@iso.org)  
Web [www.iso.org](http://www.iso.org)

Published in Switzerland

# Contents

	Page
Foreword .....	iv
<b>1 Scope</b> .....	<b>1</b>
<b>2 Normative references</b> .....	<b>1</b>
<b>3 Dimensions</b> .....	<b>1</b>
3.1 General .....	1
3.2 Tool holder style T for triangular indexable insert shape T .....	2
<b>4 Designation</b> .....	<b>4</b>
<b>5 Material</b> .....	<b>4</b>
<b>6 Design</b> .....	<b>4</b>
6.1 Type of mounting .....	4
6.2 Corner radius, $r_{\epsilon}$ .....	5
6.3 Thickness, $s$ , of indexable insert .....	5
<b>7 Extent of delivery</b> .....	<b>5</b>
<b>8 Marking</b> .....	<b>5</b>
<b>Bibliography</b> .....	<b>6</b>

## Foreword

ISO (the International Organization for Standardization) is a worldwide federation of national standards bodies (ISO member bodies). The work of preparing International Standards is normally carried out through ISO technical committees. Each member body interested in a subject for which a technical committee has been established has the right to be represented on that committee. International organizations, governmental and non-governmental, in liaison with ISO, also take part in the work. ISO collaborates closely with the International Electrotechnical Commission (IEC) on all matters of electrotechnical standardization.

The procedures used to develop this document and those intended for its further maintenance are described in the ISO/IEC Directives, Part 1. In particular the different approval criteria needed for the different types of ISO documents should be noted. This document was drafted in accordance with the editorial rules of the ISO/IEC Directives, Part 2 (see [www.iso.org/directives](http://www.iso.org/directives)).

Attention is drawn to the possibility that some of the elements of this document may be the subject of patent rights. ISO shall not be held responsible for identifying any or all such patent rights. Details of any patent rights identified during the development of the document will be in the Introduction and/or on the ISO list of patent declarations received (see [www.iso.org/patents](http://www.iso.org/patents)).

Any trade name used in this document is information given for the convenience of users and does not constitute an endorsement.

For an explanation on the meaning of ISO specific terms and expressions related to conformity assessment, as well as information about ISO's adherence to the WTO principles in the Technical Barriers to Trade (TBT) see the following URL: Foreword - Supplementary information

The committee responsible for this document is ISO/TC 29, *Small tools*, Subcommittee SC 9, *Tools with defined cutting edges, cutting items*.

This second edition cancels and replaces the first edition (ISO 5610-13:2010), of which it constitutes a minor revision.

ISO 5610 consists of the following parts, under the general title *Tool holders with rectangular shank for indexable inserts*:

- *Part 1: General survey, correlation and determination of dimensions*
- *Part 2: Style A*
- *Part 3: Style B*
- *Part 4: Style D*
- *Part 5: Style F*
- *Part 6: Style G*
- *Part 7: Style J*
- *Part 8: Style K*
- *Part 9: Style L*
- *Part 10: Style N*
- *Part 11: Style R*
- *Part 12: Style S*
- *Part 13: Style T*

- *Part 14: Style H*
- *Part 15: Style V*





# Tool holders with rectangular shank for indexable inserts —

## Part 13: Style T

### 1 Scope

This part of ISO 5610 specifies tool holders with rectangular shank, style T, i.e. with offset shank and cutting edge angle  $\kappa_r = 60^\circ$  for side cutting.

These tool holders are primarily intended for indexable inserts made of hard metal or other cutting materials to be mounted by clamping and to be used for turning operations.

NOTE The symbols for the dimensions shown in the tables of this part of ISO 5610 and the corresponding preferred symbols of properties defined in ISO/TS 13399-2 and ISO/TS 13399-3 are given in ISO 5610-1:2014, Table A.1.

### 2 Normative references

The following documents, in whole or in part, are normatively referenced in this document and are indispensable for its application. For dated references, only the edition cited applies. For undated references, the latest edition of the referenced document (including any amendments) applies.

ISO 5608:2012, *Turning and copying tool holders and cartridges for indexable inserts — Designation*

ISO 5610-1:2014, *Tool holders with rectangular shank for indexable inserts — Part 1: General survey, correlation and determination of dimensions*

### 3 Dimensions

#### 3.1 General

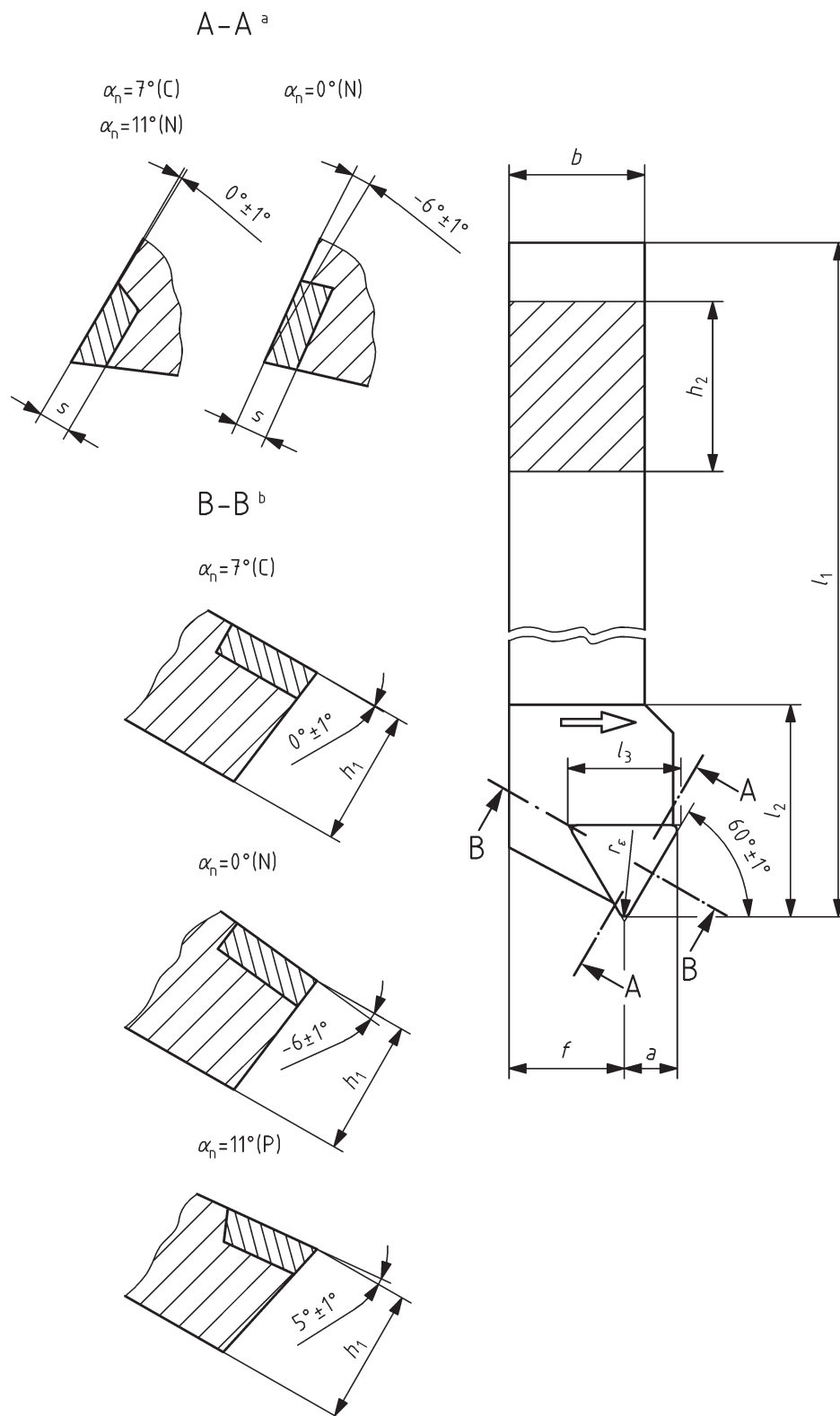
It is not necessary for tool holders to comply with the pictorial representation; only the dimensions given shall be observed.

For determination of dimensions  $h_1$ ,  $f$ , and  $l_1$ , see ISO 5610-1.

For explanation of the designation code for tool holders, see ISO 5608.

NOTE The values of rake angles and inclination angles shown in the figures are recommended values; they can vary according to the application.

### 3.2 Tool holder style T for triangular indexable insert shape T



**Key**

- a Inclination angle,  $\lambda_s$ .
- b Rake angle,  $\gamma_0$ .

NOTE This figure shows a right-hand tool holder (R); left-hand tool holder (L) laterally reversed.

Figure 1 — Tool holder style T for triangular indexable insert — T

Table 1

Dimensions in millimetres

Symbol <sup>a</sup>	$h_1$ js13	$b$ h13	$l_3$ ≈	$a$	$f$ $+0,5$ 0	$h_2$ h13	$l_1^a$ k16	$l_2$ max.	$s^b$
STTCR 1212 — 11	12	12	11	5	11	12	—	25	2,38
STTCL 1212 — 11									3,18
PTTNR 1212 — 11									
PTTNL 1212 — 11									
CTTPR 1212 — 11									
CTTPL 1212 — 11									16
STTCL 1616 — 16	4,76								
PTTNR 1616 — 16									
PTTNL 1616 — 16									
CTTPR 1616 — 16									
CTTPL 1616 — 16	20	20	16,5	7,2	17	20	—	32	
STTCL 2020 — 16									4,76
PTTNR 2020 — 16									
PTTNL 2020 — 16									
CTTPR 2020 — 16									
CTTPL 2020 — 16									25
STTCL 2525 — 16	4,76								
PTTNR 2525 — 16									
PTTNL 2525 — 16									
CTTPR 2525 — 16									
CTTPL 2525 — 16	32	25	16,5	7,2	22	32	—	32	
STTCL 3225 — 16									4,76
PTTNR 3225 — 16									
PTTNL 3225 — 16									
CTTPR 3225 — 16									
CTTPL 3225 — 16									3,18

<sup>a</sup> For the selection of length  $l_1$ , the dash may be replaced by the dimensions of ISO 5610-1:2014, Table 2. For letter symbols identifying the tool length, see ISO 5608:2012, Table 6.

<sup>b</sup> Insert thickness without shim, if applicable.

**Table 1**

Symbol <sup>a</sup>	$h_1$ js13	$b$ h13	$l_3$ ≈	$a$	$f$ $^{+0,5}_0$	$h_2$ h13	$l_1^a$ k16	$l_2$ max.	$s^b$
STTCR 3232 — 22	32	32	22	10	27	32	—	36	4,76
STTCL 3232 — 22									
PTTNR 3232 — 22									
PTTNL 3232 — 22									
CTTPR 3232 — 22									
CTTPL 3232 — 22									
PTTNR 4040 — 27	40	40	27,5	12,2	35	40	—	40	6,35
PTTNL 4040 — 27									

<sup>a</sup> For the selection of length  $l_1$ , the dash may be replaced by the dimensions of ISO 5610-1:2014, Table 2. For letter symbols identifying the tool length, see ISO 5608:2012, Table 6.

<sup>b</sup> Insert thickness without shim, if applicable.

## 4 Designation

A tool holder in accordance with this part of ISO 5610 shall be designated by the following:

- “Tool holder”;
- a reference to this part of ISO 5610 (i.e. ISO 5610-13);
- type of mounting, in accordance with ISO 5608;
- symbol for indexable insert shape, in accordance with ISO 5608;
- symbol for tool style, in accordance with ISO 5608;
- symbol for the indexable insert normal clearance, in accordance with ISO 5608;
- symbol for hand of tool, in accordance with ISO 5608;
- its height  $h_1$ , width  $b$ , and length  $l_1$  (symbol for tool length in accordance with ISO 5608);
- its cutting edge length  $l_3$ .

**EXAMPLE** Tool holder for a horizontally mounted, bore-clamped (P) triangular indexable insert shape T (T), tool holder style T (T), for normal clearance of indexable insert  $\alpha_n = 0^\circ$  (N), right-hand type (R), with height  $h_1 = 32$  mm and width  $b = 25$  mm (3225), length  $l_1 = 170$  mm (P), for cutting edge length  $l_3 = 16,5$  mm (16) is designated as follows:

**Tool holder ISO 5610-13 - PTTNR 3225 P16**

## 5 Material

The material should be steel with a tensile strength of at least 1 200 N/mm<sup>2</sup>.

## 6 Design

### 6.1 Type of mounting

Standard design of tool holders with indexable insert shall be mounted in accordance with [Table 1](#).

Other types of mounting are at the manufacturer's discretion or upon agreement. The letter symbol in the designation, symbol 1, shall then be replaced by the respective symbol for the chosen or agreed-upon type of mounting in accordance with ISO 5608.

For the modified type of mounting deviating from [Table 1](#), the relevant indexable insert thickness shall also be considered.

## 6.2 Corner radius, $r_\epsilon$

Tool holders in accordance with this part of ISO 5610 can be equipped with indexable inserts with cutting edge length,  $l_3$ , as specified in [Table 1](#), and any corner radius,  $r_\epsilon$ .

The values for  $a$  and  $f$  given in [Table 1](#) and for  $l_1$  in ISO 5610-1:2014, Table 2, apply to tool holders with indexable inserts having corner radii,  $r_\epsilon$ , in accordance with [Table 2](#).

**Table 2**

Dimensions in millimetres

$l_3$	$r_\epsilon$
11	0,4
16,5	0,8
22	
27,5	1,2
NOTE The values given for $r_\epsilon$ are nominal values. The accurate values converted from the inch dimensions are 0,397 mm, 0,794 mm, and 1,191 mm.	

For indexable inserts with corner radii,  $r_\epsilon$ , other than those specified in [Table 2](#), the dimensions  $a$ ,  $f$ , and  $l_1$  shall be determined in accordance with ISO 5610-1.

The tolerances for  $h_1$ ,  $f$ , and  $l_1$  refer to dimensions measured with master indexable insert and master shim, if applicable.

## 6.3 Thickness, $s$ , of indexable insert

The values for thickness,  $s$ , given in [Table 1](#), apply to indexable inserts without shim and for the standard design of tool holders.

For tool holders for indexable inserts with thicknesses deviating from the specified values, the thickness shall be indicated when ordering or upon delivery (in the handbook).

## 7 Extent of delivery

Tool holders shall be delivered complete with clamping device, but without indexable insert(s).

## 8 Marking

Tool holders shall be marked with the letter symbol and the name or trademark of the manufacturer.

Additional marking is at the manufacturer's discretion or upon agreement.

Deviations in marking may be by mutual agreement.

A reference to this part of ISO 5610, i.e. ISO 5610-13:2014, shall be given on the packaging.

## Bibliography

- [1] ISO 883, *Indexable hardmetal (carbide) inserts with rounded corners, without fixing hole — Dimensions*
- [2] ISO 3002-1, *Basic quantities in cutting and grinding — Part 1: Geometry of the active part of cutting tools — General terms, reference systems, tool and working angles, chip breakers*
- [3] ISO 3364, *Indexable hardmetal (carbide) inserts with rounded corners, with cylindrical fixing hole — Dimensions*
- [4] ISO 6987, *Indexable hard material inserts with rounded corners, with partly cylindrical fixing hole — Dimensions*
- [5] ISO/TS 13399-2, *Cutting tool data representation and exchange — Part 2: Reference dictionary for the cutting items*
- [6] ISO/TS 13399-3, *Cutting tool data representation and exchange — Part 3: Reference dictionary for tool items*









# British Standards Institution (BSI)

BSI is the national body responsible for preparing British Standards and other standards-related publications, information and services.

BSI is incorporated by Royal Charter. British Standards and other standardization products are published by BSI Standards Limited.

## About us

We bring together business, industry, government, consumers, innovators and others to shape their combined experience and expertise into standards-based solutions.

The knowledge embodied in our standards has been carefully assembled in a dependable format and refined through our open consultation process. Organizations of all sizes and across all sectors choose standards to help them achieve their goals.

## Information on standards

We can provide you with the knowledge that your organization needs to succeed. Find out more about British Standards by visiting our website at [bsigroup.com/standards](http://bsigroup.com/standards) or contacting our Customer Services team or Knowledge Centre.

## Buying standards

You can buy and download PDF versions of BSI publications, including British and adopted European and international standards, through our website at [bsigroup.com/shop](http://bsigroup.com/shop), where hard copies can also be purchased.

If you need international and foreign standards from other Standards Development Organizations, hard copies can be ordered from our Customer Services team.

## Subscriptions

Our range of subscription services are designed to make using standards easier for you. For further information on our subscription products go to [bsigroup.com/subscriptions](http://bsigroup.com/subscriptions).

With **British Standards Online (BSOL)** you'll have instant access to over 55,000 British and adopted European and international standards from your desktop. It's available 24/7 and is refreshed daily so you'll always be up to date.

You can keep in touch with standards developments and receive substantial discounts on the purchase price of standards, both in single copy and subscription format, by becoming a **BSI Subscribing Member**.

**PLUS** is an updating service exclusive to BSI Subscribing Members. You will automatically receive the latest hard copy of your standards when they're revised or replaced.

To find out more about becoming a BSI Subscribing Member and the benefits of membership, please visit [bsigroup.com/shop](http://bsigroup.com/shop).

With a **Multi-User Network Licence (MUNL)** you are able to host standards publications on your intranet. Licences can cover as few or as many users as you wish. With updates supplied as soon as they're available, you can be sure your documentation is current. For further information, email [bsmusales@bsigroup.com](mailto:bsmusales@bsigroup.com).

## BSI Group Headquarters

389 Chiswick High Road London W4 4AL UK

## Revisions

Our British Standards and other publications are updated by amendment or revision.

We continually improve the quality of our products and services to benefit your business. If you find an inaccuracy or ambiguity within a British Standard or other BSI publication please inform the Knowledge Centre.

## Copyright

All the data, software and documentation set out in all British Standards and other BSI publications are the property of and copyrighted by BSI, or some person or entity that owns copyright in the information used (such as the international standardization bodies) and has formally licensed such information to BSI for commercial publication and use. Except as permitted under the Copyright, Designs and Patents Act 1988 no extract may be reproduced, stored in a retrieval system or transmitted in any form or by any means – electronic, photocopying, recording or otherwise – without prior written permission from BSI. Details and advice can be obtained from the Copyright & Licensing Department.

## Useful Contacts:

### Customer Services

**Tel:** +44 845 086 9001

**Email (orders):** [orders@bsigroup.com](mailto:orders@bsigroup.com)

**Email (enquiries):** [cservices@bsigroup.com](mailto:cservices@bsigroup.com)

### Subscriptions

**Tel:** +44 845 086 9001

**Email:** [subscriptions@bsigroup.com](mailto:subscriptions@bsigroup.com)

### Knowledge Centre

**Tel:** +44 20 8996 7004

**Email:** [knowledgecentre@bsigroup.com](mailto:knowledgecentre@bsigroup.com)

### Copyright & Licensing

**Tel:** +44 20 8996 7070

**Email:** [copyright@bsigroup.com](mailto:copyright@bsigroup.com)



...making excellence a habit.™