

BS ISO 5609-6:2012



BSI Standards Publication

# Tool holders for internal turning with cylindrical shank for indexable inserts

Part 6: Style Q

**bsi.**

...making excellence a habit.™

### National foreword

This British Standard is the UK implementation of ISO 5609-6:2012. Together with BS ISO 5609-1:2012, BS ISO 5609-2:2012, BS ISO 5609-3:2012, BS ISO 5609-4:2012 and BS ISO 5609-5:2012, it supersedes BS 4193-18:1999, which is withdrawn.

The UK participation in its preparation was entrusted to Technical Committee MTE/18, Tools tips and inserts for cutting applications.

A list of organizations represented on this committee can be obtained on request to its secretary.

This publication does not purport to include all the necessary provisions of a contract. Users are responsible for its correct application.

© The British Standards Institution 2013  
Published by BSI Standards Limited 2013

ISBN 978 0 580 76157 7

ICS 25.100.10

### **Compliance with a British Standard cannot confer immunity from legal obligations.**

This British Standard was published under the authority of the Standards Policy and Strategy Committee on 30 June 2013.

### **Amendments issued since publication**

Amd. No.	Date	Text affected
----------	------	---------------

---

INTERNATIONAL  
STANDARD

**ISO**  
**5609-6**

First edition  
2012-12-15

---

---

**Tool holders for internal turning  
with cylindrical shank for indexable  
inserts —**

**Part 6:  
Style Q**

*Porte-plaquette de tournage intérieur à queue cylindrique pour  
plaquettes amovibles —*

*Partie 6: Forme Q*



Reference number  
ISO 5609-6:2012(E)

© ISO 2012



**COPYRIGHT PROTECTED DOCUMENT**

© ISO 2012

All rights reserved. Unless otherwise specified, no part of this publication may be reproduced or utilized in any form or by any means, electronic or mechanical, including photocopying and microfilm, without permission in writing from either ISO at the address below or ISO's member body in the country of the requester.

ISO copyright office  
Case postale 56 • CH-1211 Geneva 20  
Tel. + 41 22 749 01 11  
Fax + 41 22 749 09 47  
E-mail [copyright@iso.org](mailto:copyright@iso.org)  
Web [www.iso.org](http://www.iso.org)

Published in Switzerland

# Contents

Page

<b>Foreword</b> .....	<b>iv</b>
<b>1 Scope</b> .....	<b>1</b>
<b>2 Normative references</b> .....	<b>1</b>
<b>3 Dimensions</b> .....	<b>1</b>
3.1 General.....	1
3.2 Tool holder, style Q, for rhombic indexable insert, shape D.....	2
3.3 Tool holder, style Q, for rhombic indexable insert, shape V.....	3
<b>4 Designation</b> .....	<b>4</b>
<b>5 Material</b> .....	<b>4</b>
<b>6 Design</b> .....	<b>5</b>
6.1 Type of tool.....	5
6.2 Type of mounting.....	5
6.3 Corner radius $r_\epsilon$ .....	5
6.4 Thickness, $s$ , of insert.....	6
<b>7 Extent of delivery</b> .....	<b>6</b>
<b>8 Marking</b> .....	<b>6</b>
<b>Bibliography</b> .....	<b>7</b>

## Foreword

ISO (the International Organization for Standardization) is a worldwide federation of national standards bodies (ISO member bodies). The work of preparing International Standards is normally carried out through ISO technical committees. Each member body interested in a subject for which a technical committee has been established has the right to be represented on that committee. International organizations, governmental and non-governmental, in liaison with ISO, also take part in the work. ISO collaborates closely with the International Electrotechnical Commission (IEC) on all matters of electrotechnical standardization.

International Standards are drafted in accordance with the rules given in the ISO/IEC Directives, Part 2.

The main task of technical committees is to prepare International Standards. Draft International Standards adopted by the technical committees are circulated to the member bodies for voting. Publication as an International Standard requires approval by at least 75 % of the member bodies casting a vote.

Attention is drawn to the possibility that some of the elements of this document may be the subject of patent rights. ISO shall not be held responsible for identifying any or all such patent rights.

ISO 5609-6 was prepared by Technical Committee ISO/TC 29, *Small tools*, Subcommittee SC 9, *Tools with cutting edges made of hard cutting materials*.

This first edition of ISO 5609-6, together with ISO 5609-1, ISO 5609-2, ISO 5609-3, ISO 5609-4 and ISO 5609-5, cancels and replaces ISO 5609:1998, which has been technically revised.

ISO 5609 consists of the following parts, under the general title *Tool holders for internal turning with cylindrical shank for indexable inserts*:

*Part 1: Designation, styles, dimensions and calculation for corrections*

*Part 2: Style F*

*Part 3: Style K*

*Part 4: Style L*

*Part 5: Style U*

*Part 6: Style Q*

# Tool holders for internal turning with cylindrical shank for indexable inserts —

## Part 6: Style Q

### 1 Scope

This part of ISO 5609 specifies the characteristics of tool holders for internal turning with cylindrical shank, style Q, i.e. with reduced shank and cutting edge angle  $\kappa_r = 107,5^\circ$ .

These tool holders are primarily intended for indexable inserts made of hardmetal, ceramic or other cutting materials to be mounted by clamping and to be used for internal turning operations.

### 2 Normative references

The following documents, in whole or in part, are normatively referenced in this document and are indispensable for its application. For undated references, the latest edition of the referenced document (including any amendments) applies.

ISO 5609-1, *Tool holders for internal turning with cylindrical shank for indexable inserts — Part 1: Designation, styles, dimensions and calculation for corrections*

### 3 Dimensions

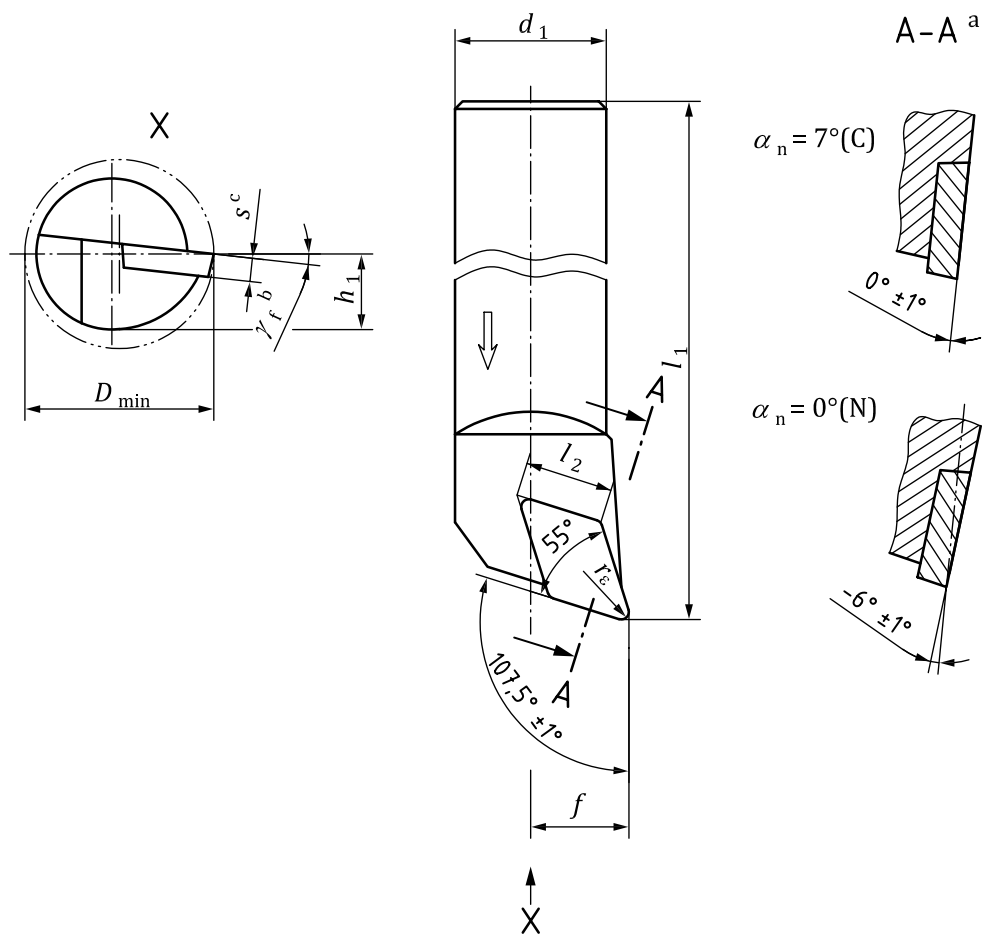
#### 3.1 General

The symbols for dimensions shown in the figures/illustrations in the tables of this part of ISO 5609 and the corresponding preferred symbols of properties defined in ISO 13399 (all parts) are in accordance with Table A.1 of ISO 5609-1:2012.

The tool holders need not comply with the pictorial representation, only the dimensions given shall be observed.

The determination of dimensions  $f$  and  $l_1$  and explanation of the designation code for tool holders are given in ISO 5609-1.

### 3.2 Tool holder, style Q, for rhombic indexable insert, shape D



NOTE This figure shows a right-hand tool holder (R); left-hand tool holder (L) laterally reversed.

a Orthogonal rake angle,  $\gamma_o$ , with indexable insert for:

—  $\alpha_n = 7^\circ (C)$ ;

—  $\alpha_n = 0^\circ (N)$ .

b  $\gamma_f$  is dependent on  $D_{min}$  and the indexable insert.

c See Table 1.

**Figure 1 — Tool holder, style Q, for rhombic indexable insert, shape D**



**Table 1 —**

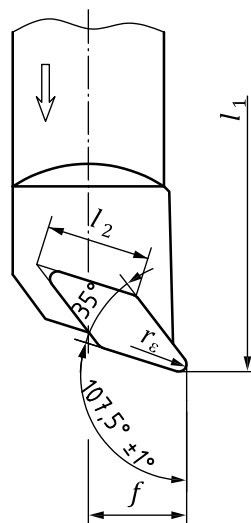
Dimensions in millimetres

Symbol <sup>a</sup>	$d_1$	$l_1$	$l_2$	$f$	$D_{\min}$	$s^b$
	g7	k16	$\approx$	$\begin{matrix} 0 \\ -0,25 \end{matrix}$		
· 12K — SDQCR 07 · 12K — SDQCL 07	12	125	7,75	9	16	2,38
· 16M — SDQCR 07 · 16M — SDQCL 07	16	150		11	20	
· 20Q — SDQCR 11 · 20Q — SDQCL 11	20	180	11,6	13	25	3,97
· 25R — SDQCR 11 · 25R — SDQCL 11	25	200		17	32	
· 32S — SDQCR 15 · 32S — SDQCL 15	32	250	15,5	22	40	4,76
· 40T — SDQCR 15 · 40T — SDQCL 15	40	300		27	50	
· 50U — SDQCR 15 · 50U — SDQCL 15	50	350		35	63	

<sup>a</sup> For supplementary symbol, see 6.1.  
<sup>b</sup> For indexable insert thickness without shim, if any, see 6.4.

### 3.3 Tool holder, style Q, for rhombic indexable insert, shape V

For other dimensions and details, see Figure 1.



NOTE This figure shows a right-hand tool holder (R); left-hand tool holder (L) laterally reversed.

**Figure 2 — Tool holder, style Q, for rhombic indexable insert, shape V**

**Table 2 —**

Dimensions in millimetres

Symbol <sup>a</sup>	$d_1$	$l_1$	$l_2$	$f$	$D_{\min}$	$s^b$
	g7	k16	≈	$\begin{matrix} 0 \\ -0,25 \end{matrix}$		
· 16M — + VQ ++ 11 · 16M — + VQ ++ 11	16	150	11,1	11	20	2,38
· 20Q — + VQ ++ 11 · 20Q — + VQ ++ 11	20	180	11,1	13	25	3,97
· 20Q — + VQ ++ 13 · 20Q — + VQ ++ 13	20	180	13,8	13	25	3,97
· 25R — + VQ ++ 13 · 25R — + VQ ++ 13	25	200	13,8	17	32	3,97
· 25R — + VQ ++ 16 · 25R — + VQ ++ 16	25	200	16,6	17	32	4,76
· 32S — + VQ ++ 16 · 32S — + VQ ++ 16	32	250	16,6	22	40	4,76
· 40T — + VQ ++ 16 · 40T — + VQ ++ 16	40	300	16,6	27	50	4,76
<sup>a</sup> For supplementary symbol, see 6.1. <sup>b</sup> For indexable insert thickness without shim, if any, see 6.4. <sup>+</sup> This is left to the manufacturer's discretion.						

## 4 Designation

A tool holder in accordance with this part of ISO 5609 shall be designated by:

- “Tool holder”;
- reference to this part of ISO 5609, i. e. ISO 5609-6;
- additional designation symbol, as specified in ISO 5609-1;

**EXAMPLE 1** Tool holder for internal turning with cylindrical shank with solid steel tool with lubrication hole (A), diameter  $d_1 = 32$  mm (32), length  $l_1 = 250$  mm (S), for screw clamping through hole (S) rhombic indexable insert with included angle  $\varepsilon_r = 55^\circ$  (D), style Q (Q), for indexable insert normal clearance  $\alpha_n = 7^\circ$  (C), right-hand type (R), for cutting edge length  $l_2 = 15,5$  mm (15) and round shank without flats is designated as follows:

**Tool holder ISO 5609-6 - A32S - SDQCR 15 - 10**

**EXAMPLE 2** Tool holder for internal turning with cylindrical shank with solid steel tool with lubrication hole (A), diameter  $d_1 = 20$  mm (20), length  $l_1 = 180$  mm (Q), for screw clamping through hole (S) rhombic indexable insert with included angle  $\varepsilon_r = 35^\circ$  (V), style Q (Q), for indexable insert normal clearance  $\alpha_n = 7^\circ$  (C), right-hand type (R), for cutting edge length  $l_2 = 13,8$  mm (13) and round shank without 4 flats is designated as follows:

**Tool holder ISO 5609-6 - A20Q - SVQCR 13 - 41**

## 5 Material

Tool holders for internal turning with cylindrical shank in accordance with this part of ISO 5609 shall be made from

- steel with a tensile strength of a least 1 000 N/mm<sup>2</sup>,
- hardmetal (carbide) tool with brazed steel head, or

heavy metal tool.

The material should be left to the manufacturer's discretion.

## 6 Design

### 6.1 Type of tool

Tool holders for internal turning with cylindrical shank in accordance with this part of ISO 5609 are designed with or without lubrication hole;

with or without antivibration device.

The design of the type of tool is left to the manufacturer's discretion.

### 6.2 Type of mounting

The standard design of tool holders with indexable insert shall be mounted in accordance with Tables 1 and 2.

Other types of mounting may be at the manufacturer's discretion or upon agreement. The letter symbol in the designation (symbol 4 ) shall then be replaced by the respective symbol for the chosen or agreed type of mounting.

For the modified type of mounting deviating from Tables 1 and 2, the relevant insert thickness shall also be considered.

### 6.3 Corner radius $r_\epsilon$

Tool holders with cylindrical shank in accordance with this International Standard can be equipped with indexable inserts with cutting edge lengths,  $l_2$ , as specified in Tables 1 and 2 and any corner radius  $r_\epsilon$ .

The values for  $f$  and  $l_1$  given in Tables 1 and 2 apply to tool holders with indexable inserts having corner radii,  $r_\epsilon$ , in accordance with Table 3.

**Table 3 —**

Dimensions in millimetres

$l_2$	$r_\epsilon$
7,75	0,4
11,1	0,8
11,6	
13,8	
15,5	
16,6	
NOTE The values given for $r_\epsilon$ are nominal values. The accurate values converted from the Imperial (inch) dimensions are 0,397 mm and 0,794 mm.	

For indexable inserts with corner radii,  $r_\epsilon$ , other than those specified in Table 3, the dimensions for  $f$  and  $l_1$  shall be determined in accordance with ISO 5609-1.

The tolerances on  $f$  and  $l_1$  refer to dimensions measured with master indexable insert and master shim, if any.

#### **6.4 Thickness, $s$ , of insert**

The values for thickness,  $s$ , given in Tables 1 and 2 apply to indexable inserts without shim and for the standard design of tool holders.

For tool holders for indexable inserts with thicknesses deviating from the specified values, the thickness shall be indicated when ordering or upon delivery (in the handbook).

### **7 Extent of delivery**

Tool holder shall be delivered complete with clamping device but without indexable insert(s).

### **8 Marking**

Tool holders with cylindrical shank shall be marked with the letter symbol and the name or trademark of the manufacturer.

Additional marking may be at the manufacturer's discretion or upon agreement.

Deviations in marking shall be upon agreement.

The general reference to this part of ISO 5609 (i.e. ISO 5609-6) shall be given on the packaging.

## Bibliography

- [1] ISO 1832, *Indexable inserts for cutting tools — Designation*
- [2] ISO 13399 (all parts), *Cutting tool data representation and exchange*





# British Standards Institution (BSI)

BSI is the national body responsible for preparing British Standards and other standards-related publications, information and services.

BSI is incorporated by Royal Charter. British Standards and other standardization products are published by BSI Standards Limited.

## About us

We bring together business, industry, government, consumers, innovators and others to shape their combined experience and expertise into standards-based solutions.

The knowledge embodied in our standards has been carefully assembled in a dependable format and refined through our open consultation process. Organizations of all sizes and across all sectors choose standards to help them achieve their goals.

## Information on standards

We can provide you with the knowledge that your organization needs to succeed. Find out more about British Standards by visiting our website at [bsigroup.com/standards](http://bsigroup.com/standards) or contacting our Customer Services team or Knowledge Centre.

## Buying standards

You can buy and download PDF versions of BSI publications, including British and adopted European and international standards, through our website at [bsigroup.com/shop](http://bsigroup.com/shop), where hard copies can also be purchased.

If you need international and foreign standards from other Standards Development Organizations, hard copies can be ordered from our Customer Services team.

## Subscriptions

Our range of subscription services are designed to make using standards easier for you. For further information on our subscription products go to [bsigroup.com/subscriptions](http://bsigroup.com/subscriptions).

With **British Standards Online (BSOL)** you'll have instant access to over 55,000 British and adopted European and international standards from your desktop. It's available 24/7 and is refreshed daily so you'll always be up to date.

You can keep in touch with standards developments and receive substantial discounts on the purchase price of standards, both in single copy and subscription format, by becoming a **BSI Subscribing Member**.

**PLUS** is an updating service exclusive to BSI Subscribing Members. You will automatically receive the latest hard copy of your standards when they're revised or replaced.

To find out more about becoming a BSI Subscribing Member and the benefits of membership, please visit [bsigroup.com/shop](http://bsigroup.com/shop).

With a **Multi-User Network Licence (MUNL)** you are able to host standards publications on your intranet. Licences can cover as few or as many users as you wish. With updates supplied as soon as they're available, you can be sure your documentation is current. For further information, email [bsmusales@bsigroup.com](mailto:bsmusales@bsigroup.com).

## BSI Group Headquarters

389 Chiswick High Road London W4 4AL UK

## Revisions

Our British Standards and other publications are updated by amendment or revision.

We continually improve the quality of our products and services to benefit your business. If you find an inaccuracy or ambiguity within a British Standard or other BSI publication please inform the Knowledge Centre.

## Copyright

All the data, software and documentation set out in all British Standards and other BSI publications are the property of and copyrighted by BSI, or some person or entity that owns copyright in the information used (such as the international standardization bodies) and has formally licensed such information to BSI for commercial publication and use. Except as permitted under the Copyright, Designs and Patents Act 1988 no extract may be reproduced, stored in a retrieval system or transmitted in any form or by any means – electronic, photocopying, recording or otherwise – without prior written permission from BSI. Details and advice can be obtained from the Copyright & Licensing Department.

## Useful Contacts:

### Customer Services

**Tel:** +44 845 086 9001

**Email (orders):** [orders@bsigroup.com](mailto:orders@bsigroup.com)

**Email (enquiries):** [cservices@bsigroup.com](mailto:cservices@bsigroup.com)

### Subscriptions

**Tel:** +44 845 086 9001

**Email:** [subscriptions@bsigroup.com](mailto:subscriptions@bsigroup.com)

### Knowledge Centre

**Tel:** +44 20 8996 7004

**Email:** [knowledgecentre@bsigroup.com](mailto:knowledgecentre@bsigroup.com)

### Copyright & Licensing

**Tel:** +44 20 8996 7070

**Email:** [copyright@bsigroup.com](mailto:copyright@bsigroup.com)



...making excellence a habit.™