

BS ISO 5600:2011



BSI Standards Publication

Rubber — Determination of adhesion to rigid materials using conical shaped parts

bsi.

...making excellence a habit.™

National foreword

This British Standard is the UK implementation of ISO 5600:2011. It supersedes BS ISO 5600:2007 which is withdrawn.

The UK participation in its preparation was entrusted to Technical Committee PRI/22, Physical testing of rubber.

A list of organizations represented on this committee can be obtained on request to its secretary.

This publication does not purport to include all the necessary provisions of a contract. Users are responsible for its correct application.

© BSI 2011

ISBN 978 0 580 73709 1

ICS 83.060

Compliance with a British Standard cannot confer immunity from legal obligations.

This British Standard was published under the authority of the Standards Policy and Strategy Committee on 30 September 2011.

Amendments issued since publication

Date	Text affected
------	---------------

INTERNATIONAL STANDARD

BS ISO 5600:2011

ISO
5600

Fourth edition
2011-09-01

Rubber — Determination of adhesion to rigid materials using conical shaped parts

*Caoutchouc — Détermination de l'adhérence aux matériaux rigides au
moyen de pièces coniques*



Reference number
ISO 5600:2011(E)

© ISO 2011



COPYRIGHT PROTECTED DOCUMENT

© ISO 2011

All rights reserved. Unless otherwise specified, no part of this publication may be reproduced or utilized in any form or by any means, electronic or mechanical, including photocopying and microfilm, without permission in writing from either ISO at the address below or ISO's member body in the country of the requester.

ISO copyright office
Case postale 56 • CH-1211 Geneva 20
Tel. + 41 22 749 01 11
Fax + 41 22 749 09 47
E-mail copyright@iso.org
Web www.iso.org

Published in Switzerland

Contents

Page

Foreword	iv
1 Scope	1
2 Normative references	1
3 Principle	2
4 Apparatus	2
5 Calibration	2
6 Test piece	2
7 Procedure	4
8 Expression of results	4
9 Salvaging of bonded metal parts	4
10 Test report	5
Annex A (normative) Calibration schedule	6

Foreword

ISO (the International Organization for Standardization) is a worldwide federation of national standards bodies (ISO member bodies). The work of preparing International Standards is normally carried out through ISO technical committees. Each member body interested in a subject for which a technical committee has been established has the right to be represented on that committee. International organizations, governmental and non-governmental, in liaison with ISO, also take part in the work. ISO collaborates closely with the International Electrotechnical Commission (IEC) on all matters of electrotechnical standardization.

International Standards are drafted in accordance with the rules given in the ISO/IEC Directives, Part 2.

The main task of technical committees is to prepare International Standards. Draft International Standards adopted by the technical committees are circulated to the member bodies for voting. Publication as an International Standard requires approval by at least 75 % of the member bodies casting a vote.

Attention is drawn to the possibility that some of the elements of this document may be the subject of patent rights. ISO shall not be held responsible for identifying any or all such patent rights.

ISO 5600 was prepared by Technical Committee ISO/TC 45, *Rubber and rubber products*, Subcommittee SC 2, *Testing and analysis*.

This fourth edition cancels and replaces the third edition (ISO 5600:2007), of which it constitutes a minor revision designed to add a calibration schedule (see Annex A).

Rubber — Determination of adhesion to rigid materials using conical shaped parts

WARNING — Persons using this International Standard should be familiar with normal laboratory practice. This standard does not purport to address all of the safety problems, if any, associated with its use. It is the responsibility of the user to establish appropriate safety and health practices and to ensure compliance with any national regulatory conditions.

IMPORTANT — Certain procedures specified in this International Standard may involve the use or generation of substances, or the generation of waste, that could constitute a local environmental hazard. Reference should be made to appropriate documentation on safe handling and disposal after use.

1 Scope

This International Standard specifies a method for the determination of the static vulcanized adhesion strength of rubber compounds to rigid materials. The test piece is composed of two conical ends of the rigid material, joined by a cylinder of rubber.

The adhesion is obtained by a bonding system which can include not only the rigid material and the rubber compound, but other elements such as thin alloy coatings or chemical treatments of rigid parts and either a single cement or both primer and cover cements. The bonding system for preparing the test pieces should be adequately specified by the user, but provision is made in this International Standard for the evaluation of different types of failure related to a complex bonding system.

The method is designed primarily for test pieces prepared in the laboratory under standard conditions in order to provide data for development and control of bonding systems and their components, such as cements or special rubber compounds, and of methods of manufacture. While intended to be applied where the rubber is bonded to rigid supporting pieces, it might not cover such cases where the support, although of high-modulus material, has a low rigidity due to small transverse dimensions, as in the case of rubber bonded to metal wires, cords or thin sheets.

2 Normative references

The following referenced documents are indispensable for the application of this document. For dated references, only the edition cited applies. For undated references, the latest edition of the referenced document (including any amendments) applies.

ISO 5893:2002, *Rubber and plastics test equipment — Tensile, flexural and compression types (constant rate of traverse) — Specification*

ISO 18899:2004, *Rubber — Guide to the calibration of test equipment*

ISO 23529, *Rubber — General procedures for preparing and conditioning test pieces for physical test methods*

3 Principle

The test consists in measuring the force required to cause the rupture of a test piece of standard dimensions, comprising a cylinder of rubber bonded to two rigid conical parts.

The particular geometry of the test piece produces in most cases an interfacial failure between the cylinder of rubber and the conical parts because of a stress concentration at the tip of the cones.

4 Apparatus

4.1 Tensile-testing machine, complying with the requirements of ISO 5893:2002, class 2, and with a rate of traverse of the moving grip of (50 ± 5) mm/min.

Inertia (pendulum) type dynamometers have a tendency to give results which differ because of inertial effects. A low-inertia type dynamometer (for example, using an electronic or optical transducer) gives results which are free from this effect, and is therefore to be preferred.

4.2 Fixtures, for holding the test pieces in the test machine, which permit accurate centring of the applied load during the test.

5 Calibration

The test apparatus shall be calibrated in accordance with Annex A.

6 Test piece

6.1 Form and dimensions

The standard test piece (see Figure 1) is formed by two rigid cylindrical parts terminated by opposite conical ends, and a cylinder of rubber bonded to the conical ends. The determination of the dimensions of the test piece shall be in accordance with ISO 23529.

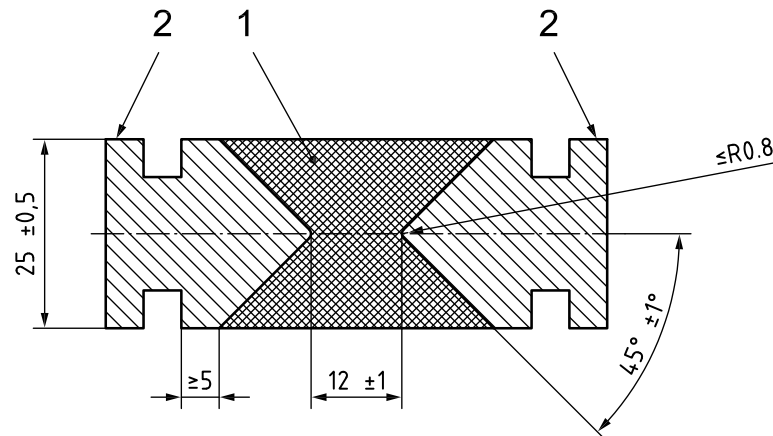
The diameter of this cylinder and of the cylindrical portion of the rigid parts shall be $(25 \pm 0,5)$ mm. The distance between the tips of the conical ends shall be (12 ± 1) mm. The half-angle of the cone vertex shall be $45^\circ \pm 1^\circ$ and the tip shall be rounded to a radius not greater than 0,8 mm.

The cylindrical portion of each rigid part shall be not less than 5 mm in length and shall be terminated so as to match with the holding jaws (4.2) of the test machine (4.1).

6.2 Materials

The materials used shall conform to the specifications for the bonding system to be investigated. If no specification is given for the material of the rigid parts, they shall be made from low-carbon steel bars and their conical ends shall be grit-blasted.

Dimensions in millimetres



Key

- 1 rubber cylinder
- 2 rigid conical parts

Figure 1 — Standard test piece

6.3 Preparation

6.3.1 Clean the surfaces of the conical ends or treat in accordance with the bonding system under investigation and, if so specified, coat with primer and/or cover cement. Spread the adhesive coating over the conical area only.

6.3.2 During the preparation of the test pieces, take great care when handling the materials to keep the bonding interfaces between the rubber and the rigid parts free from dust, moisture and foreign matter. Do not touch the treated conical surfaces with the hands during assembly.

6.3.3 Vulcanize the test pieces in a suitable transfer mould, properly insulated and provided with heaters and compression devices. Place the rigid parts and the rubber compound in the preheated mould for vulcanization. Use sufficient unvulcanized compound to fill the pot and provide some excess after filling the mould cavities.

The mould design should take account of the fact that machining the rigid parts for reuse will gradually reduce their size.

6.3.4 Carry out the vulcanization under the specified conditions of time, temperature and pressure.

6.3.5 At the conclusion of the cure, take great care when removing the test pieces from the mould to avoid subjecting the bonded surfaces to undue stress before the test pieces have cooled.

6.4 Number of test pieces

Prepare and test a minimum of three test pieces.

6.5 Conditioning of test pieces

Condition the test pieces in accordance with the requirements of ISO 23529 for at least 16 h at a standard laboratory temperature of $(23 \pm 2)^\circ\text{C}$ or $(27 \pm 2)^\circ\text{C}$. Use the same temperature throughout the test and throughout a series of tests intended to be comparable.

7 Procedure

7.1 Mount a test piece in the fixtures (4.2) of the tensile-testing machine (4.1). Take extreme care in centring and adjusting the test piece so that the tension is symmetrically distributed over the cross-section of the test piece during the test.

7.2 Apply the tension by separating the jaws at a constant rate of (50 ± 5) mm/min until the test piece breaks. Record the maximum force.

7.3 Recover the broken pieces and examine the failure surfaces.

7.4 Repeat for the remaining test pieces.

8 Expression of results

8.1 Adhesion value

Express the adhesion value, in newtons, required to produce failure. In cases where the failure is in the rubber bulk, the adhesion value is recognized as being higher than that recorded.

8.2 Type of adhesion failure

Express the type of adhesion failure, as determined by examination of the broken test pieces, by one or more of the following symbols:

- R failure in the rubber bulk;
- RC failure at the rubber/cover cement interface;
- CP failure at the cover cement/primer cement interface;
- M failure at the metal/primer cement interface.

Each symbol shall be followed by the percentage of the conical surface involved in that type of failure, estimated to the nearest 5 %.

NOTE The estimated percentage of the various types of failure can be expressed as in the following examples:

- R-50, RC-50 means that roughly 50 % of the failure was in the rubber and the other 50 % at the rubber/cover cement interface.
- R-25, RC-25, M-50 means three types of failure were present, with the M indicating that 50 % of the failure was at the metal/primer cement interface.

9 Salvaging of bonded metal parts

Bonded metal parts can be salvaged by the usual burning or chemical stripping techniques. Mechanical or chemical surface treatments can be used to re-establish a clean bonding surface.

The sharpness of the conical tip can be reduced during salvaging; this affects the reproducibility of the test results, and care shall be taken to re-establish the sharpness of the cone to a radius of 0,8 mm or less.

10 Test report

The test report shall include the following information:

- a) sample details:
 - 1) a description of the bonding system used, including materials, treatments and rubber cure (if the materials are of undisclosed composition, sufficient information shall be given to identify them),
 - 2) the date of vulcanization,
 - 3) the time and temperature of vulcanization;
- b) a reference to this International Standard;
- c) test details:
 - 1) the temperature of test,
 - 2) the type of dynamometer used,
 - 3) details of any operation not included in this International Standard or in the International Standards to which reference is made, as well as any operation regarded as optional;
- d) test results:
 - 1) the adhesion values for each test piece, in newtons,
 - 2) a description of the types of failure for each test piece, expressed in accordance with 8.2,
 - 3) any unusual features noted during the determination;
- e) the date of the test.

An example of a form for reporting adhesion test results is given in Table 1.

Table 1 — Example of form for reporting adhesion test results

Test piece No.	Compound designation	Cure temperature °C	Cure time min	Substrate treatment	Date of		Adhesion value N	Type of break				Test temperature °C	Test equipment	Bonding system	Comments	
					vulcanization	test		R	RC	CP	M					

Annex A (normative)

Calibration schedule

A.1 Inspection

Before any calibration is undertaken, the condition of the items to be calibrated shall be ascertained by inspection and recorded on any calibration report or certificate. It shall be reported whether calibration is carried out in the “as-received” condition or after rectification of any abnormality or fault.

It shall be ascertained that the apparatus is generally fit for the intended purpose, including any parameters specified as approximate and for which the apparatus does not therefore need to be formally calibrated. If such parameters are liable to change, then the need for periodic checks shall be written into the detailed calibration procedures.

A.2 Schedule

Verification/calibration of the test apparatus is a mandatory part of this International Standard. However, the frequency of calibration and the procedures used are, unless otherwise stated, at the discretion of the individual laboratory, using ISO 18899 for guidance.

The calibration schedule given in Table A.1 has been compiled by listing all of the parameters specified in the test method, together with the specified requirement. A parameter and requirement can relate to the main test apparatus, to part of that apparatus or to an ancillary item of apparatus necessary for the test.

For each parameter, a calibration procedure is indicated by reference to ISO 18899, to another publication or to a procedure particular to the test method which is detailed (whenever a calibration procedure more specific or detailed than that in ISO 18899 is available, it shall be used in preference).

The verification frequency for each parameter is given by a code-letter. The code-letters used in the calibration schedule are:

- C requirement to be confirmed, but no measurement;
- S standard interval as given in ISO 18899;
- U in use.

Table A.1 — Calibration schedule

Parameter	Requirement	Clause or subclause in ISO 18899:2004	Verification frequency guide	Notes
Rigid parts of test piece:				Check metal parts before moulding each test piece as metal can be lost during salvaging and cleaning
— diameter	(25 ± 0,5) mm	15.2	U	
— half-angle of cone	(45 ± 1)°	15.9	U	
— radius of tip of cone	≤0,8 mm	15.3	U	
— length of cylindrical portion	5 mm minimum	15.2	U	
Moulded part of test piece:				
— distance between tips of conical ends	(12 ± 1) mm	15.2	U	
Tensile-testing machine:				
— rate of separation of grips	(50 ± 5) mm/min	23.4	S	
— force measurement	Class 2 as defined in ISO 5893:2002	21.1	S	
— fixtures	Accurate centring	C		

In addition to the items listed in Table A.1, use of the following is implied, all of which need calibrating in accordance with ISO 18899:

- a conditioning chamber for conditioning the test pieces at standard laboratory temperature;
- a test chamber for maintaining the test pieces at standard laboratory temperature throughout the test.

British Standards Institution (BSI)

BSI is the national body responsible for preparing British Standards and other standards-related publications, information and services.

BSI is incorporated by Royal Charter. British Standards and other standardization products are published by BSI Standards Limited.

About us

We bring together business, industry, government, consumers, innovators and others to shape their combined experience and expertise into standards-based solutions.

The knowledge embodied in our standards has been carefully assembled in a dependable format and refined through our open consultation process. Organizations of all sizes and across all sectors choose standards to help them achieve their goals.

Information on standards

We can provide you with the knowledge that your organization needs to succeed. Find out more about British Standards by visiting our website at bsigroup.com/standards or contacting our Customer Services team or Knowledge Centre.

Buying standards

You can buy and download PDF versions of BSI publications, including British and adopted European and international standards, through our website at bsigroup.com/shop, where hard copies can also be purchased.

If you need international and foreign standards from other Standards Development Organizations, hard copies can be ordered from our Customer Services team.

Subscriptions

Our range of subscription services are designed to make using standards easier for you. For further information on our subscription products go to bsigroup.com/subscriptions.

With **British Standards Online (BSOL)** you'll have instant access to over 55,000 British and adopted European and international standards from your desktop. It's available 24/7 and is refreshed daily so you'll always be up to date.

You can keep in touch with standards developments and receive substantial discounts on the purchase price of standards, both in single copy and subscription format, by becoming a **BSI Subscribing Member**.

PLUS is an updating service exclusive to BSI Subscribing Members. You will automatically receive the latest hard copy of your standards when they're revised or replaced.

To find out more about becoming a BSI Subscribing Member and the benefits of membership, please visit bsigroup.com/shop.

With a **Multi-User Network Licence (MUNL)** you are able to host standards publications on your intranet. Licences can cover as few or as many users as you wish. With updates supplied as soon as they're available, you can be sure your documentation is current. For further information, email bsmusales@bsigroup.com.

Revisions

Our British Standards and other publications are updated by amendment or revision.

We continually improve the quality of our products and services to benefit your business. If you find an inaccuracy or ambiguity within a British Standard or other BSI publication please inform the Knowledge Centre.

Copyright

All the data, software and documentation set out in all British Standards and other BSI publications are the property of and copyrighted by BSI, or some person or entity that owns copyright in the information used (such as the international standardization bodies) and has formally licensed such information to BSI for commercial publication and use. Except as permitted under the Copyright, Designs and Patents Act 1988 no extract may be reproduced, stored in a retrieval system or transmitted in any form or by any means – electronic, photocopying, recording or otherwise – without prior written permission from BSI. Details and advice can be obtained from the Copyright & Licensing Department.

Useful Contacts:

Customer Services

Tel: +44 845 086 9001

Email (orders): orders@bsigroup.com

Email (enquiries): cservices@bsigroup.com

Subscriptions

Tel: +44 845 086 9001

Email: subscriptions@bsigroup.com

Knowledge Centre

Tel: +44 20 8996 7004

Email: knowledgecentre@bsigroup.com

Copyright & Licensing

Tel: +44 20 8996 7070

Email: copyright@bsigroup.com

BSI Group Headquarters

389 Chiswick High Road London W4 4AL UK



...making excellence a habit.™