

BS ISO 5072:2013



BSI Standards Publication

# **Brown coals and lignites — Determination of true relative density and apparent relative density**

**bsi.**

...making excellence a habit.™

**National foreword**

This British Standard is the UK implementation of ISO 5072:2013.

The UK participation in its preparation was entrusted to Technical Committee PTI/16, Solid mineral fuels.

A list of organizations represented on this committee can be obtained on request to its secretary.

This publication does not purport to include all the necessary provisions of a contract. Users are responsible for its correct application.

© The British Standards Institution 2013. Published by BSI Standards Limited 2013

ISBN 978 0 580 81216 3

ICS 73.040

**Compliance with a British Standard cannot confer immunity from legal obligations.**

This British Standard was published under the authority of the Standards Policy and Strategy Committee on 31 May 2013.

**Amendments issued since publication**

Date	Text affected
------	---------------

---

INTERNATIONAL  
STANDARD

BS ISO 5072:2013

**ISO**  
**5072**

Second edition  
2013-05-01

---

---

**Brown coals and lignites —  
Determination of true relative density  
and apparent relative density**

*Charbons bruns et lignites — Détermination de la densité relative  
vraie et de la densité relative apparente*



Reference number  
ISO 5072:2013(E)

© ISO 2013



**COPYRIGHT PROTECTED DOCUMENT**

© ISO 2013

All rights reserved. Unless otherwise specified, no part of this publication may be reproduced or utilized otherwise in any form or by any means, electronic or mechanical, including photocopying, or posting on the internet or an intranet, without prior written permission. Permission can be requested from either ISO at the address below or ISO's member body in the country of the requester.

ISO copyright office  
Case postale 56 • CH-1211 Geneva 20  
Tel. + 41 22 749 01 11  
Fax + 41 22 749 09 47  
E-mail [copyright@iso.org](mailto:copyright@iso.org)  
Web [www.iso.org](http://www.iso.org)

Published in Switzerland

# Contents

Page

<b>Foreword</b> .....	<b>iv</b>
<b>1 Scope</b> .....	<b>1</b>
<b>2 Normative references</b> .....	<b>1</b>
<b>3 Terms and definitions</b> .....	<b>1</b>
<b>4 Determination of the true relative density by the water method</b> .....	<b>1</b>
4.1 Principle.....	1
4.2 Reagents.....	1
4.3 Apparatus.....	2
4.4 Sample.....	2
4.5 Procedure.....	2
4.6 Calculation of results.....	3
4.7 Precision of the method.....	3
4.8 Test report.....	4
<b>5 Determination of the apparent relative density</b> .....	<b>4</b>
5.1 Principle.....	4
5.2 Reagents.....	4
5.3 Apparatus.....	4
5.4 Sample.....	4
5.5 Procedure.....	5
5.6 Calculation of results.....	6
5.7 Precision of the method.....	6
5.8 Test report.....	6

## Foreword

ISO (the International Organization for Standardization) is a worldwide federation of national standards bodies (ISO member bodies). The work of preparing International Standards is normally carried out through ISO technical committees. Each member body interested in a subject for which a technical committee has been established has the right to be represented on that committee. International organizations, governmental and non-governmental, in liaison with ISO, also take part in the work. ISO collaborates closely with the International Electrotechnical Commission (IEC) on all matters of electrotechnical standardization.

International Standards are drafted in accordance with the rules given in the ISO/IEC Directives, Part 2.

The main task of technical committees is to prepare International Standards. Draft International Standards adopted by the technical committees are circulated to the member bodies for voting. Publication as an International Standard requires approval by at least 75 % of the member bodies casting a vote.

Attention is drawn to the possibility that some of the elements of this document may be the subject of patent rights. ISO shall not be held responsible for identifying any or all such patent rights.

ISO 5072 was prepared by Technical Committee ISO/TC 27, *Solid mineral fuels*, Subcommittee SC 5, *Methods of analysis*.

This second edition cancels and replaces the first edition (ISO 5072:1997), of which this constitutes a minor revision.

# Brown coals and lignites — Determination of true relative density and apparent relative density

## 1 Scope

This International Standard describes methods for the determination of true relative density and the apparent relative density of brown coals and lignites.

## 2 Normative references

The following referenced documents are indispensable for the application of this document. For dated references, only the edition cited applies. For undated references, the latest edition of the referenced document (including any amendments) applies.

ISO 5068-2, *Brown coals and lignites — Determination of moisture — Part 2: Indirect gravimetric method for moisture in the analysis sample*

ISO 5069-2, *Brown coals and lignites — Principles of sampling — Part 2: Sample preparation for determination of moisture content and for general analysis*

## 3 Terms and definitions

### 3.1

#### **true relative density**

ratio of the mass of a sample of dry coal ground to pass through a 212  $\mu\text{m}$  sieve to the mass of an equal volume of water at a specified temperature

### 3.2

#### **apparent relative density**

ratio of the mass of a dry coal to the mass of a volume of water equal to the apparent volume of the coal at a specified temperature

## 4 Determination of the true relative density by the water method

### 4.1 Principle

The true relative density is determined pycnometrically by water displacement, with the inclusion of a wetting agent to ensure dispersion of the solid in the displacement medium.

NOTE The use of other displacement media such as methanol is not recommended because of possible swelling of some brown coals and lignites in such liquids.

### 4.2 Reagents

**4.2.1 Distilled or deionized water**, freshly boiled.

**4.2.2 Wetting agent**, 5 % (volume fraction) solution of detergent (such as sodium dodecyl sulfate) is suitable.

**4.2.3 Potassium dichromate-sulfuric acid mixture**, for cleaning pycnometers.

## 4.3 Apparatus

**4.3.1 Analytical balance**, sensitive to 0,1 mg.

**4.3.2 Camel hair brush**, of such a diameter that bristles can pass completely through the stem of the funnel (4.3.4).

**4.3.3 Filter paper**, for drying the necks of the pycnometers.

**4.3.4 Funnel**, with a stem of sufficient length to reach the middle of the pycnometer flask.

**4.3.5 Glass cloth**, fibre free for polishing the pycnometers prior to weighing.

**4.3.6 Glass syringe**, with a needle to bring the pycnometer liquid to the mark of the pycnometer.

**4.3.7 Earthing point**, to remove static charge from pycnometers.

**4.3.8 Mercury thermometer**, capable of measuring the temperature in the range of 20 °C to 30 °C with a minimum scale spacing of 0,1 °C.

**4.3.9 Pycnometers**, of capacity 50 ml, with capillary-bored ground stoppers, internal diameter of the neck no greater than 5 mm.

**4.3.10 Vacuum desiccator**, with protective cage.

NOTE The use of a vacuum desiccator is preferable for the purpose of degassing samples.

**4.3.11 Vacuum pump**, capable of attaining a vacuum of residual pressure from 0 kPa to 5 kPa.

**4.3.12 Water bath**, thermostatically controlled, the temperature of which shall be maintained at 25 °C ± 0,1 °C as measured by a thermometer (4.3.8) permanently placed in the water bath.

**4.3.13 Weighing boat**, with a capacity of not less than 2 g.

## 4.4 Sample

The sample for the determination of true relative density shall be the general analysis sample (ground to pass through a 212 µm sieve) prepared in accordance with ISO 5069-2.

## 4.5 Procedure

### 4.5.1 Calibration of the mass of the pycnometer(s)

Pipette 10 ml of wetting agent (4.2.2) into the pycnometer(s) (4.3.9). Pipette 10 ml of water (4.2.1) into the pycnometer(s). Swirl to mix the solution. Place the pycnometer(s) in the vacuum desiccator (4.3.10) and evacuate to 0 Pa to 500 Pa for 15 min. Release the vacuum and fill the pycnometer(s) with water (4.2.1) using a glass syringe (4.3.6) to 3 mm from the top of the neck.

Place the pycnometer(s) in a water bath (4.3.12) thermostatically controlled at 25 °C ± 0,1 °C. Allow to equilibrate for at least 1 h 45 min. Top up the pycnometer(s) to the meniscus using a glass syringe without removing them from the water bath. Leave the pycnometer(s) in the water bath for a further 5 min.

Remove the pycnometer(s) from the water bath and insert the capillary-bored stopper(s) such that no air is trapped in the pycnometer(s). Wipe the outside of the pycnometer(s) gently using filter paper (4.3.3) to



remove excess water. Polish the pycnometer(s) using fibre-free glass cloth (4.3.5) to remove any visible film. Touch the pycnometer(s) to the earthing point (4.3.7). Weigh the pycnometer(s) and record the mass(es) to the nearest 0,1 mg.

The mean of three replicate determinations of the mass of each pycnometer which fall within the range of 1 mg is taken as the calibration mass of the pycnometer.

#### 4.5.2 Determination of true relative density

Weigh  $2 \text{ g} \pm 0,1 \text{ g}$  of sample, to the nearest 0,1 mg, into a weighing boat (4.3.13). Transfer the sample to a pycnometer using a funnel (4.3.4) and a camel hair brush (4.3.2). Ensure that no material is lost during the transfer.

Pipette 10 ml of wetting agent (4.2.2) into the pycnometer allowing the wetting agent to run down the inner surface of the pycnometer. Pipette 10 ml of water (4.2.1) into the pycnometer, allowing the water to run down the inner surface of the pycnometer. Swirl gently to wet the sample with the minimum production of bubbles. Place the pycnometer in the vacuum desiccator and evacuate to 0 Pa to 500 Pa for 15 min. To ensure that no sample containing froth is expelled from the pycnometer, regulate the vacuum supply to remove any froth produced below the neck of the pycnometer. Release the vacuum and fill the pycnometer with water (4.2.1) to 3 mm from the top of the neck using a glass syringe.

Place the pycnometer in a water bath thermostatically controlled at  $25 \text{ }^\circ\text{C} \pm 0,1 \text{ }^\circ\text{C}$ . Allow to equilibrate for at least 1 h 45 min. Top up the pycnometer to the meniscus using a glass syringe, without removing from the water bath. Leave the pycnometer in the water bath for a further 5 min.

Remove the pycnometer from the water bath and insert the capillary bored stopper such that no air is trapped in the pycnometer. Wipe the outside of the pycnometer gently using filter paper to remove excess water. Polish the pycnometer using fibre-free glass cloth to remove any visible film. Touch the pycnometer to the earthing point. Weigh the pycnometer and record the mass to the nearest 0,1 mg.

Determine the moisture content,  $M$ , on a separate test portion of the sample (4.4) in accordance with ISO 5068-2.

#### 4.6 Calculation of results

Calculate the true relative density of the dry coal,  $TRD_d$ , according to the formula:

$$TRD_d = \frac{m \times (100 - M_{ad})}{m \times (100 - M_{ad}) + 100 \times (m_1 - m_2)}$$

where

- $m$  is the mass, in grams, of the analysis sample;
- $m_1$  is the mass, in grams, of the pycnometer and water;
- $m_2$  is the mass, in grams, of the pycnometer, sample and water;
- $M_{ad}$  is the moisture, as a percentage by mass, of the analysis sample.

#### 4.7 Precision of the method

##### 4.7.1 Repeatability limit

The results of duplicate determinations, carried out in the same laboratory by the same operator using the same apparatus on the same sample within short intervals of time, shall not differ by more than the value given in Table 1.

#### 4.7.2 Reproducibility limit

The means of the results of duplicate determinations, carried out in each of two laboratories on representative test portions taken from the same sample, shall not differ by more than the value given in [Table 1](#).

**Table 1 — Precision of the method**

Repeatability	Reproducibility
0,02	0,04

#### 4.8 Test report

The test report shall contain the following information:

- a) an identification of the sample;
- b) a reference to this International Standard including year of publication;
- c) the result and the method of expression used;
- d) any unusual features noted during the determination.

### 5 Determination of the apparent relative density

#### 5.1 Principle

The apparent relative density is determined by weighing a sample suspended in water, allowing the sample to drain to remove surface liquid and then reweighing the sample in air.

#### 5.2 Reagents

5.2.1 **Water**, distilled or deionized.

#### 5.3 Apparatus

5.3.1 **Beam balance**, sensitive to 10 mg, modified as in [Figure 1](#).

5.3.2 **Evaporating dishes**, 160 mm diameter, 60 mm deep.

5.3.3 **Paper towels or filter papers**.

5.3.4 **Top pan balance**, capacity of 1 kg, sensitive to 10 mg.

5.3.5 **Vacuum pump**, capable of attaining 250 Pa pressure.

5.3.6 **Vacuum desiccator**, 200 mm diameter.

#### 5.4 Sample

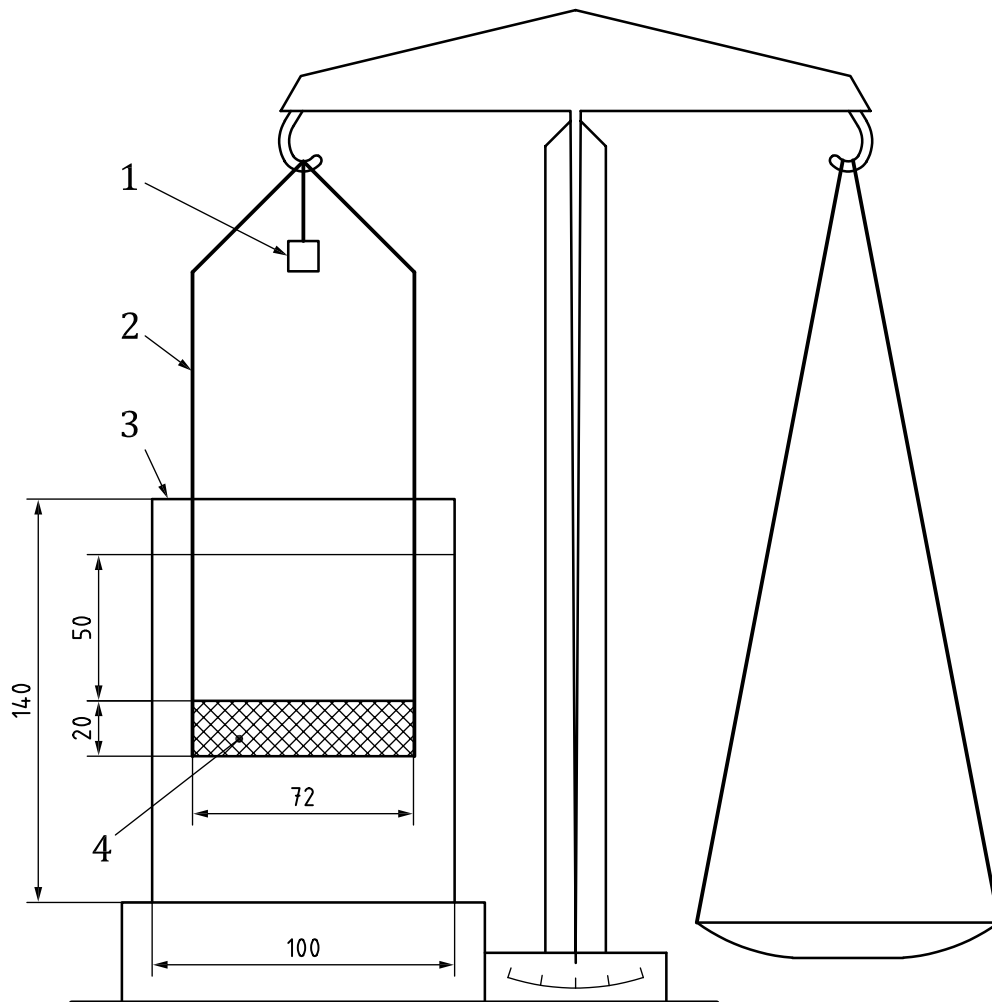
The determination of apparent relative density shall be carried out on an air-dried sample of particle size 10 mm to 30 mm.

## 5.5 Procedure

Set up the beam balance (5.3.1) as shown in Figure 1, with a minimum of 50 mm of water (5.2.1) covering the gauge basket. Tare the beam balance so that at the balance point approximately 5 g is added to the weight pan. Record the tare mass.

NOTE Check the beam balance tare at least once every 5 to 10 determinations.

Dimensions in millimetres



### Key

- 1 tare weight, approximately 5 g
- 2 copper wire
- 3 beaker, 800 ml
- 4 gauze basket (phosphor-bronze 12 mm aperture)

**Figure 1 — Modified beam balance**

Weigh from 30 g to 35 g of sample (5.4) into an evaporating dish (5.3.2). Add water (5.2.1) to the dish to completely immerse the sample. Place the evaporating dish plus sample in a vacuum desiccator (5.3.6). Evacuate the desiccator to 0 Pa to 250 Pa for 5 min. Release the vacuum and allow to stand for a further 5 min.

Transfer the sample to a pad of paper towels (5.3.3), using the paper towels to remove excess water. Immediately place the sample in the gauze basket of the beam balance ensuring that the sample is totally covered with water. Allow the balance to attain equilibrium and record the mass of the sample in water to the nearest 10 mg.

Transfer the sample from the gauze basket to a pad of paper towels, using the paper towels to remove any visible surface moisture. Immediately transfer the sample to a top pan balance (5.3.4) and record its mass in air to the nearest 10 mg.

NOTE Do not allow excessive drying when transferring the sample.

## 5.6 Calculation of results

Calculate the apparent relative density of the dry coal,  $ARD_d$ , according to the formula:

$$ARD_d = \frac{m \times (100 - M_t)}{100 \times (m - m_1 + m_2)}$$

where

- $m$  is the mass, in grams, of the sample in air;
- $m_1$  is the mass, in grams, of the sample suspended in water;
- $m_2$  is the mass, in grams, of the tare weight;
- $M_t$  is the total moisture, as a percentage by mass, determined on the sample after density determination.

## 5.7 Precision of the method

### 5.7.1 Repeatability limit

The results of duplicate determinations, carried out in the same laboratory by the same operator using the same apparatus on the same sample within short intervals of time, shall not differ by more than the value given in [Table 2](#).

### 5.7.2 Reproducibility limit

The means of the results of duplicate determinations, carried out in each of two laboratories on representative test portions taken from the same sample, shall not differ by more than the value given in [Table 2](#).

**Table 2 — Precision of the method**

Repeatability	Reproducibility
2 % of the mean result	5 % of the mean result

## 5.8 Test report

The test report shall contain the following information:

- a) an identification of the sample;
- b) a reference to this International Standard including year of publication;
- c) the result and method of expression used;
- d) any unusual features noted during the determination.







# British Standards Institution (BSI)

BSI is the national body responsible for preparing British Standards and other standards-related publications, information and services.

BSI is incorporated by Royal Charter. British Standards and other standardization products are published by BSI Standards Limited.

## About us

We bring together business, industry, government, consumers, innovators and others to shape their combined experience and expertise into standards-based solutions.

The knowledge embodied in our standards has been carefully assembled in a dependable format and refined through our open consultation process. Organizations of all sizes and across all sectors choose standards to help them achieve their goals.

## Information on standards

We can provide you with the knowledge that your organization needs to succeed. Find out more about British Standards by visiting our website at [bsigroup.com/standards](http://bsigroup.com/standards) or contacting our Customer Services team or Knowledge Centre.

## Buying standards

You can buy and download PDF versions of BSI publications, including British and adopted European and international standards, through our website at [bsigroup.com/shop](http://bsigroup.com/shop), where hard copies can also be purchased.

If you need international and foreign standards from other Standards Development Organizations, hard copies can be ordered from our Customer Services team.

## Subscriptions

Our range of subscription services are designed to make using standards easier for you. For further information on our subscription products go to [bsigroup.com/subscriptions](http://bsigroup.com/subscriptions).

With **British Standards Online (BSOL)** you'll have instant access to over 55,000 British and adopted European and international standards from your desktop. It's available 24/7 and is refreshed daily so you'll always be up to date.

You can keep in touch with standards developments and receive substantial discounts on the purchase price of standards, both in single copy and subscription format, by becoming a **BSI Subscribing Member**.

**PLUS** is an updating service exclusive to BSI Subscribing Members. You will automatically receive the latest hard copy of your standards when they're revised or replaced.

To find out more about becoming a BSI Subscribing Member and the benefits of membership, please visit [bsigroup.com/shop](http://bsigroup.com/shop).

With a **Multi-User Network Licence (MUNL)** you are able to host standards publications on your intranet. Licences can cover as few or as many users as you wish. With updates supplied as soon as they're available, you can be sure your documentation is current. For further information, email [bsmusales@bsigroup.com](mailto:bsmusales@bsigroup.com).

## BSI Group Headquarters

389 Chiswick High Road London W4 4AL UK

## Revisions

Our British Standards and other publications are updated by amendment or revision.

We continually improve the quality of our products and services to benefit your business. If you find an inaccuracy or ambiguity within a British Standard or other BSI publication please inform the Knowledge Centre.

## Copyright

All the data, software and documentation set out in all British Standards and other BSI publications are the property of and copyrighted by BSI, or some person or entity that owns copyright in the information used (such as the international standardization bodies) and has formally licensed such information to BSI for commercial publication and use. Except as permitted under the Copyright, Designs and Patents Act 1988 no extract may be reproduced, stored in a retrieval system or transmitted in any form or by any means – electronic, photocopying, recording or otherwise – without prior written permission from BSI. Details and advice can be obtained from the Copyright & Licensing Department.

## Useful Contacts:

### Customer Services

**Tel:** +44 845 086 9001

**Email (orders):** [orders@bsigroup.com](mailto:orders@bsigroup.com)

**Email (enquiries):** [cservices@bsigroup.com](mailto:cservices@bsigroup.com)

### Subscriptions

**Tel:** +44 845 086 9001

**Email:** [subscriptions@bsigroup.com](mailto:subscriptions@bsigroup.com)

### Knowledge Centre

**Tel:** +44 20 8996 7004

**Email:** [knowledgecentre@bsigroup.com](mailto:knowledgecentre@bsigroup.com)

### Copyright & Licensing

**Tel:** +44 20 8996 7070

**Email:** [copyright@bsigroup.com](mailto:copyright@bsigroup.com)



...making excellence a habit.™