

BS ISO 4642-1:2015



BSI Standards Publication

Rubber and plastics hoses, non-collapsible, for fire-fighting service

Part 1: Semi-rigid hoses for fixed systems

bsi.

...making excellence a habit.™

National foreword

This British Standard is the UK implementation of ISO 4642-1:2015.

The UK participation in its preparation was entrusted to Technical Committee PRI/66, Rubber and plastics tubing, hoses and hose assemblies.

A list of organizations represented on this committee can be obtained on request to its secretary.

This publication does not purport to include all the necessary provisions of a contract. Users are responsible for its correct application.

© The British Standards Institution 2015. Published by BSI Standards Limited 2015

ISBN 978 0 580 89070 3

ICS 13.220.10; 83.140.40

Compliance with a British Standard cannot confer immunity from legal obligations.

This British Standard was published under the authority of the Standards Policy and Strategy Committee on 31 December 2015.

Amendments issued since publication

Date	Text affected
------	---------------

**Rubber and plastics hoses, non-
collapsible, for fire-fighting service —**

**Part 1:
Semi-rigid hoses for fixed systems**

*Tuyaux en caoutchouc et en plastique, non aplatisables, pour la lutte
contre l'incendie —*

Partie 1: Tuyaux semi-rigides pour systèmes fixes





COPYRIGHT PROTECTED DOCUMENT

© ISO 2015, Published in Switzerland

All rights reserved. Unless otherwise specified, no part of this publication may be reproduced or utilized otherwise in any form or by any means, electronic or mechanical, including photocopying, or posting on the internet or an intranet, without prior written permission. Permission can be requested from either ISO at the address below or ISO's member body in the country of the requester.

ISO copyright office
Ch. de Blandonnet 8 • CP 401
CH-1214 Vernier, Geneva, Switzerland
Tel. +41 22 749 01 11
Fax +41 22 749 09 47
copyright@iso.org
www.iso.org

Contents

Page

Foreword	iv
Introduction	v
1 Scope	1
2 Normative references	1
3 Terms and definitions	2
4 Classification	2
4.1 General.....	2
4.2 Classification by types (hose construction).....	2
4.3 Classification by class (materials for lining and cover).....	2
5 Dimensions, tolerances and maximum mass	3
5.1 Inside diameter and maximum mass.....	3
5.2 Length and tolerances on length.....	3
6 Performance requirements of finished hose	3
6.1 Hydrostatic requirements.....	3
6.1.1 Deformation under maximum working pressure.....	3
6.1.2 Deformation under proof pressure.....	3
6.1.3 Minimum burst pressure.....	4
6.1.4 Kink pressure.....	4
6.2 Adhesion.....	4
6.3 Accelerated ageing.....	4
6.4 Low temperature flexibility.....	4
6.5 Hot surface resistance.....	4
6.6 Ozone resistance.....	4
6.7 Bending and crush resistance.....	5
6.8 UV resistance (xenon arc lamp).....	5
6.9 Loss in mass on heating.....	5
7 Frequency of testing	5
8 Type tests	5
9 Test report	5
10 Recommendation for packaging and storage	5
11 Marking	5
Annex A (normative) Kink pressure test	7
Annex B (normative) Accelerated ageing test	8
Annex C (normative) Hot surface resistance test	9
Annex D (normative) Bending and crush resistance test	14
Annex E (normative) Type test and routine test	16
Annex F (informative) Production test	17
Bibliography	18

Foreword

ISO (the International Organization for Standardization) is a worldwide federation of national standards bodies (ISO member bodies). The work of preparing International Standards is normally carried out through ISO technical committees. Each member body interested in a subject for which a technical committee has been established has the right to be represented on that committee. International organizations, governmental and non-governmental, in liaison with ISO, also take part in the work. ISO collaborates closely with the International Electrotechnical Commission (IEC) on all matters of electrotechnical standardization.

The procedures used to develop this document and those intended for its further maintenance are described in the ISO/IEC Directives, Part 1. In particular the different approval criteria needed for the different types of ISO documents should be noted. This document was drafted in accordance with the editorial rules of the ISO/IEC Directives, Part 2 (see www.iso.org/directives).

Attention is drawn to the possibility that some of the elements of this document may be the subject of patent rights. ISO shall not be held responsible for identifying any or all such patent rights. Details of any patent rights identified during the development of the document will be in the Introduction and/or on the ISO list of patent declarations received (see www.iso.org/patents).

Any trade name used in this document is information given for the convenience of users and does not constitute an endorsement.

For an explanation on the meaning of ISO specific terms and expressions related to conformity assessment, as well as information about ISO's adherence to the WTO principles in the Technical Barriers to Trade (TBT) see the following URL: [Foreword - Supplementary information](#)

The committee responsible for this document is ISO/TC 45, *Rubber and rubber products*, Subcommittee SC 1, *Rubber and plastics hoses and hose assemblies*.

This second edition cancels and replaces the first edition (ISO 4642-1:2009), of which it constitutes a minor revision.

ISO 4642 consists of the following parts, under the general title *Rubber and plastics hoses, non-collapsible, for fire-fighting service*:

- *Part 1: Semi-rigid hoses for fixed systems*
- *Part 2: Semi-rigid hoses (and hose assemblies) for pumps and vehicles*

Introduction

A fixed system is a manually operated unit installed in a building in order to make it possible for the occupants to control and extinguish a small fire. The system consists of fixed units mounted on walls or in cabinets permanently connected to a water supply. The fixed units are composed of a coupling, a valve, a semi-rigid water-filled hose with its support and a nozzle.

Rubber and plastics hoses, non-collapsible, for fire-fighting service —

Part 1: Semi-rigid hoses for fixed systems

1 Scope

This part of ISO 4642 specifies the requirements and test methods for semi-rigid reel hoses for fire-fighting purposes for use with fixed systems. The hoses are intended for use at a maximum working pressure of 1,2 MPa for hoses of 19 mm and 25 mm inside diameter and 0,7 MPa for hoses of 33 mm inside diameter.

Hoses conforming to this part of ISO 4642 are intended for applications where long intervals can occur between the occasions of use, for example on fixed fire hose reels in buildings and other construction works.

This part of ISO 4642 applies exclusively to hoses for fire-fighting purposes intended for use at ambient conditions in non-aggressive or non-corrosive atmospheres within the temperature range $-20\text{ }^{\circ}\text{C}$ to $+60\text{ }^{\circ}\text{C}$.

NOTE 1 Hoses for use at temperatures lower than $-20\text{ }^{\circ}\text{C}$ can be supplied at the request of the purchaser.

NOTE 2 All pressures are expressed in megapascals where 1 MPa = 10 bar.

2 Normative references

The following documents, in whole or in part, are normatively referenced in this document and are indispensable for its application. For dated references, only the edition cited applies. For undated references, the latest edition of the referenced document (including any amendments) applies.

ISO 176:2005, *Plastics — Determination of loss of plasticizers — Activated carbon method*

ISO 188, *Rubber, vulcanized or thermoplastic — Accelerated ageing and heat resistance tests*

ISO 1307, *Rubber and plastics hoses — Hose sizes, minimum and maximum inside diameters, and tolerances on cut-to-length hoses*

ISO 1402, *Rubber and plastics hoses and hose assemblies — Hydrostatic testing*

ISO 4671, *Rubber and plastics hoses and hose assemblies — Methods of measurement of the dimensions of hoses and the lengths of hose assemblies*

ISO 7326:2006, *Rubber and plastics hoses — Assessment of ozone resistance under static conditions*

ISO 8033, *Rubber and plastics hose — Determination of adhesion between components*

ISO 8330, *Rubber and plastics hoses and hose assemblies — Vocabulary*

ISO 8331, *Rubber and plastics hoses and hose assemblies — Guidelines for selection, storage, use and maintenance*

ISO 10619-2:2011, *Rubber and plastics hoses and tubing — Measurement of flexibility and stiffness — Part 2: Bending tests at sub-ambient temperatures*

3 Terms and definitions

For the purposes of this document, the terms and definitions given in ISO 8330 and the following apply.

3.1

semi-rigid hose

hose that maintains its round cross-section even when unpressurized

4 Classification

4.1 General

All types and classes of hose shall be so flexible that they can be rolled and kept on a drum of minimum diameter 200 mm for 19 mm inside diameter and 25 mm inside diameter hose and of minimum diameter 280 mm for 33 mm inside diameter hose.

Hoses shall be one of two types distinguished by their construction. Each hose type shall be further divided into classes distinguished by the materials used for lining and cover.

4.2 Classification by types (hose construction)

4.2.1 Type A hoses shall consist of:

- a) a seamless rubber or plastics lining;
- b) a textile reinforcement with or without a rigid spiral helix;
- c) a rubber or plastics cover.

4.2.2 Type B hoses shall consist of:

- a) a seamless rubber or plastics lining;
- b) a circular woven textile reinforcement with a rigid spiral helix;
- c) an uncovered or rubber or plastics cover.

4.3 Classification by class (materials for lining and cover)

The hose types shall be further subdivided into six classes dependent on the materials used in their construction, in accordance with [Table 1](#).

Table 1 — Classes and materials

Class	Lining material	Cover material
1	rubber	rubber
2	plastics	plastics
3	rubber	plastics
4	plastics	rubber
5	rubber	no cover
6	plastics	no cover

5 Dimensions, tolerances and maximum mass

5.1 Inside diameter and maximum mass

The inside diameter of the hose, when measured in accordance with ISO 4671, shall conform to the requirements given in [Table 2](#). The mass per metre length of the hose shall be in accordance with [Table 2](#).

Table 2 — Inside diameter, tolerances on inside diameter and maximum mass per unit length

Inside diameter mm	Tolerances for inside diameter mm	Mass per unit length kg/m	
		Type A max.	Type B max.
19	-0,5 to +1,0	0,75	0,25
25	±1,0	0,90	0,35
33	-1,0 to +1,5	1,00	0,50

5.2 Length and tolerances on length

The total length of hose supplied shall be in accordance with the purchaser's requirements and shall be stated in metres. Tolerance on length shall be in accordance with ISO 1307.

6 Performance requirements of finished hose

6.1 Hydrostatic requirements

6.1.1 Deformation under maximum working pressure

The dimensional stability of the hose, when tested in accordance with ISO 1402, shall conform to the requirements given in [Table 3](#). The length of the test piece shall be 1 m.

For 19 mm and 25 mm inside diameter hoses, the initial test pressure shall be 0,07 MPa and the final test pressure shall be 1,2 MPa. For 33 mm inside diameter hose, the initial test pressure shall be 0,07 MPa and the final test pressure shall be 0,7 MPa.

The twist shall be no greater than $30^{\circ} \text{ m}^{-1}$ for type A. For type B, the twist may be greater than $30^{\circ} \text{ m}^{-1}$ but in this case it shall only be in a direction which closes the coupling and shall be stated in the test report.

Table 3 — Change in length and external diameter

	Tolerances for type A	Tolerances for type B
	%	%
Change in length	0 to +7,5	0 to +5,0
Change in external diameter	0 to +7,5	0 to +5,0

6.1.2 Deformation under proof pressure

A proof pressure hold test shall be carried out on three hose lengths each of 1 m in accordance with ISO 1402. The proof pressure shall be as given in [Table 4](#) and, on examination during the test, the test pieces shall not show any evidence of leakage, cracking, abrupt distortion or other signs of failure.

Table 4 — Maximum working pressure, proof pressure and minimum burst pressure

Inside diameter	Maximum working pressure MPa	Proof pressure MPa	Minimum burst pressure MPa
19 mm and 25 mm	1,2	2,4	4,2
33 mm	0,7	1,4	2,45

6.1.3 Minimum burst pressure

A burst pressure test shall be carried out in accordance with ISO 1402 on the three test pieces used for the deformation under proof pressure test, until the hose bursts.

None of the test pieces shall burst at a pressure less than that given in [Table 4](#).

6.1.4 Kink pressure

When tested in accordance with [Annex A](#), the test piece shall neither burst nor show any visible signs of defect before or after pressurizing at 1,2 MPa for 19 mm and 25 mm inside diameter hoses and at 0,7 MPa for 33 mm inside diameter hose.

6.2 Adhesion

When tested in accordance with ISO 8033, the adhesion between all components shall be not less than 1,5 kN/m for type A hoses and 1,0 kN/m for type B hoses. Dependant on the construction of the hose, the test piece in either case shall be decided by the test laboratory in accordance with ISO 8033.

6.3 Accelerated ageing

When tested in accordance with [Annex B](#), the three test pieces subjected to the burst pressure test shall conform to the requirements of [6.1.3](#). The mean of the burst pressure test results shall not decrease by more than 25 % from the initial mean burst value determined from the results obtained in [6.1.3](#).

The resultant adhesion of the fourth test piece shall be in accordance with the requirements of [6.2](#).

NOTE There is no limitation on the increase in the values of these properties.

6.4 Low temperature flexibility

The test shall be carried out in accordance with ISO 10619-2:2011, Clause 5 (Method B) using a mandrel of outside diameter equal to $12 \times$ the inside diameter of the hose. After bending the hose round the mandrel through 180° for (10 ± 2) s at a temperature of (-20 ± 2) °C, or lower if requested, it shall not show any signs of breaking or cracking and shall meet the proof pressure requirement given in [Table 4](#).

6.5 Hot surface resistance

For all types and classes, when tested in accordance with [Annex C](#) at a test temperature of (200 ± 2) °C, in none of the four tests shall leakage occur less than 60 s after application of the filament rod.

6.6 Ozone resistance

After carrying out an ozone resistance test in accordance with ISO 7326:2006, 8.1 (Method 1) for all inside diameter sizes and types, the hose lining and cover shall not show any signs of cracking. The lining shall be examined by slitting the hose wall.

6.7 Bending and crush resistance

When tested in accordance with [Annex D](#) at a temperature of (23 ± 2) °C, the ratio *T:D* shall not exceed 1,20.

6.8 UV resistance (xenon arc lamp)

NOTE A test for resistance to UV and requirements based on ISO 30013 will be added at the next revision of this part of ISO 4642, when more experience has been acquired.

6.9 Loss in mass on heating

When tested in accordance with ISO 176:2005, 6.2 (Method B) the lining and cover materials shall not show a loss in mass greater than 4 %.

7 Frequency of testing

Type testing and routine testing and the minimum frequency of such tests shall be as specified in [Annex E](#).

Type tests are those tests carried out in order to obtain product approval.

Routine tests are those carried out on each length of hose or hose assembly.

Production tests are those tests, specified in [Annex E](#), which should preferably be carried out to control the quality of manufacture. The frequencies specified in [Annex F](#) are given as a guide only.

8 Type tests

Type testing is carried out in order to confirm that all the materials, construction and test requirements of this part of ISO 4642 have been met by the method of manufacture and hose design.

Type testing shall be repeated at a minimum of every five years or whenever there is a change in the method of manufacture of materials.

9 Test report

A test report shall be supplied if requested by the customer.

10 Recommendation for packaging and storage

Details of packaging and storage are given in ISO 8331.

11 Marking

Each length of hose shall be legibly and permanently marked with the following minimum information, at least twice per length, at both ends, for type B hoses and along the whole length at minimum intervals of 2 m for type A hoses:

- a) manufacturer's name or trademark;
- b) number of this part of ISO 4642, i.e. ISO 4642-1;
- c) hose type, class and inside diameter in millimetres;
- d) maximum working pressure in MPa (bar);
- e) quarter and year of manufacture;

- f) test temperature if lower than -20 °C (see [6.4](#));
- g) approval number and certifying body or its reference, where applicable.

EXAMPLE Man – ISO 4642-1-A-2-19-912-1Q/2015.

Annex A **(normative)**

Kink pressure test

A.1 Principle

This tests the hose for leakage or damage in a kinked test piece held under pressure.

A.2 Test piece

The test piece shall be a 2,0 m length of hose.

A.3 Apparatus

A.3.1 Source of hydrostatic pressure, with water as the test medium, capable of maintaining a pressure of 1,2 MPa for 19 mm inside diameter and 25 mm inside diameter hose and of 0,7 MPa for 33 mm inside diameter hose

A.4 Procedure

Connect the test piece to the pressure source and fill with water, expelling all air before securely clamping the free end of the hose. Maintain a pressure of 0,07 MPa in the test piece while bending it through 180° at a point approximately midway along its length. Tie the free end of the hose back on itself, as close as possible to the secure end, so as to form a sharp kink, ensuring that the tie does not prevent subsequent expansion of the diameter of the test piece.

Raise the pressure in the test piece to that given in [6.1.4](#) over a period of 60 s. Maintain the pressure for 1 min. Examine the test piece for any sign of leakage or damage prior to releasing the pressure.

A.5 Test report

The test report shall include the following information:

- a) a full description of the hose tested;
- b) a reference to this part of ISO 4642, i.e. ISO 4642-1;
- c) any evidence of leakage or damage observed;
- d) the date of the test.

Annex B (normative)

Accelerated ageing test

B.1 Test pieces

Four test pieces, each of 1 m length, shall be tested.

It is preferred that the test pieces be taken from the hose adjacent to the original burst and adhesion test pieces.

B.2 Apparatus

A temperature controlled oven as specified in ISO 188.

B.3 Procedure

Age the test pieces in air for 7 days at a temperature of (70 ± 1) °C in a temperature-controlled oven as specified in ISO 188.

After ageing, subject three of the test pieces to the burst pressure test as given in [6.1.3](#).

Subject the remaining test piece to the adhesion test as given in [6.2](#).

B.4 Test report

The test report shall include the following information:

- a) full description of the hose tested;
- b) a reference to this part of ISO 4642, i.e. ISO 4642-1;
- c) burst test value;
- d) adhesion value and any evidence of tearing;
- e) date of the test.

Annex C (normative)

Hot surface resistance test

C.1 Test piece

The test piece shall be a sample of hose approximately 0,5 m in length.

Mark the test piece in four places at approximately 90° intervals, circumferentially. In the case of layflat hose, the marked positions shall be such that two of the marks are coincident with the flat edges of the hose.

NOTE This sampling procedure is designed to eliminate eccentric covers.

C.2 Apparatus

C.2.1 Filament rod, consisting of an electrically heated spiral resistance wire with a resistance of approximately 80 Ω wound around a ceramic tube of diameter 21 mm and enclosed in a tube of quartz glass containing a mass fraction of at least 95 % SiO₂ (silicon dioxide) and fitted with a brass sleeve (see [Figure C.3](#))¹⁾. An example of the design is given in [Figure C.1](#).

C.2.2 Temperature controller and recorder, capable of restoring the set temperature within 15 s of commencement of the test and maintaining the set temperature within the specified limits.

C.2.3 Thermocouple, type J or K (i.e. not twisted together), jacketed type, diameter 1,5 mm.

C.2.4 Loading weight, designed to press the filament rod ([C.2.1](#)) against the vertically mounted test piece with a force, F , equal to 4 N (see [Figure C.2](#)).

C.2.5 Cabinet or small enclosure, to eliminate local air movement in the vicinity of the test piece and filament rod.

1) The filament rod can be obtained from Thermal Quarz-Schmelze GmbH, Postfach 130309, D-65201 Wiesbaden-Schierstein, Germany (immersion heater, article No. 7801). This information is given for the convenience of users of this document and does not constitute an endorsement by ISO of the product named. Equivalent products may be used if they can be shown to lead to the same results.

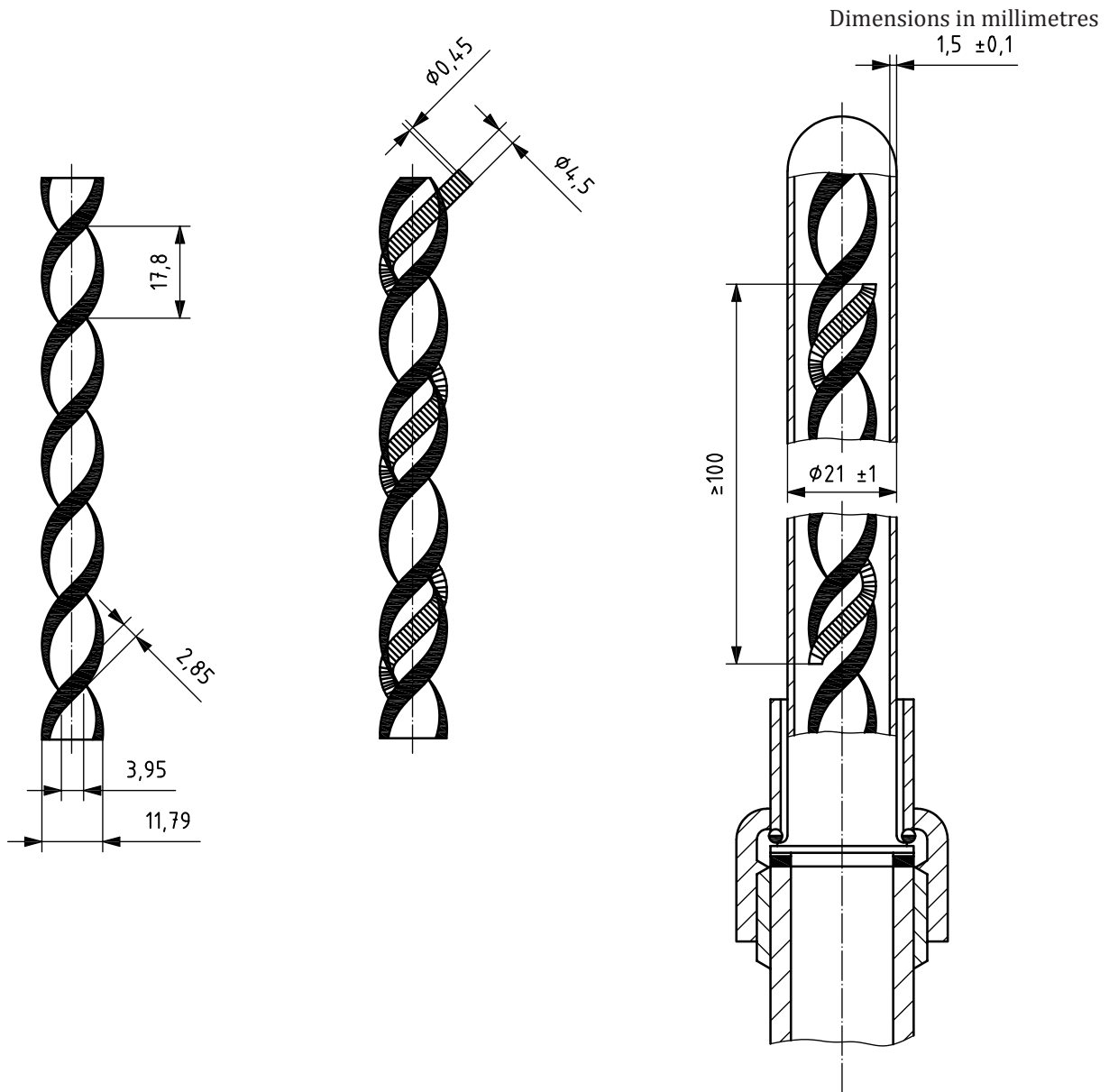
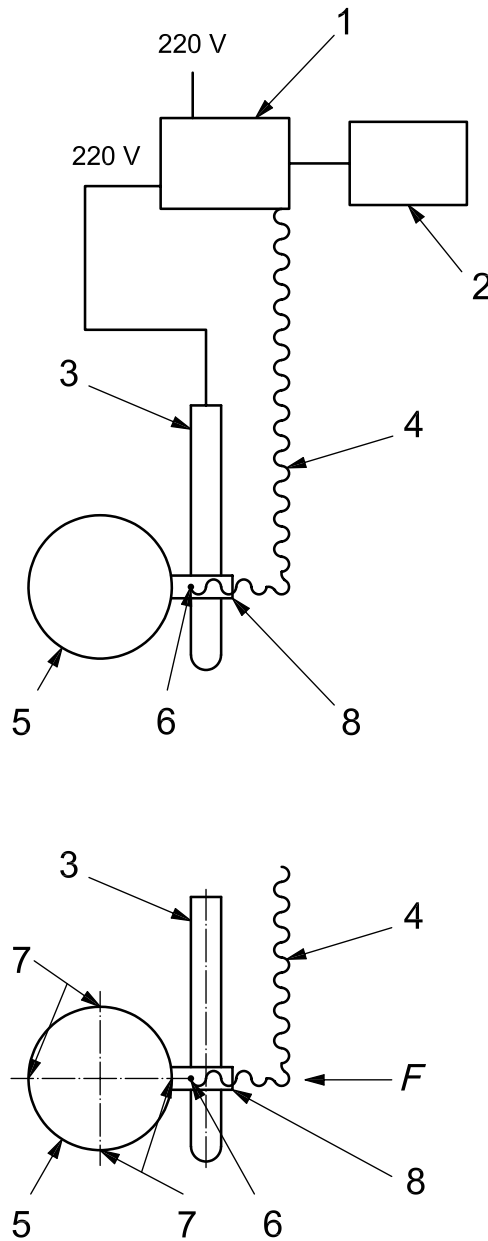


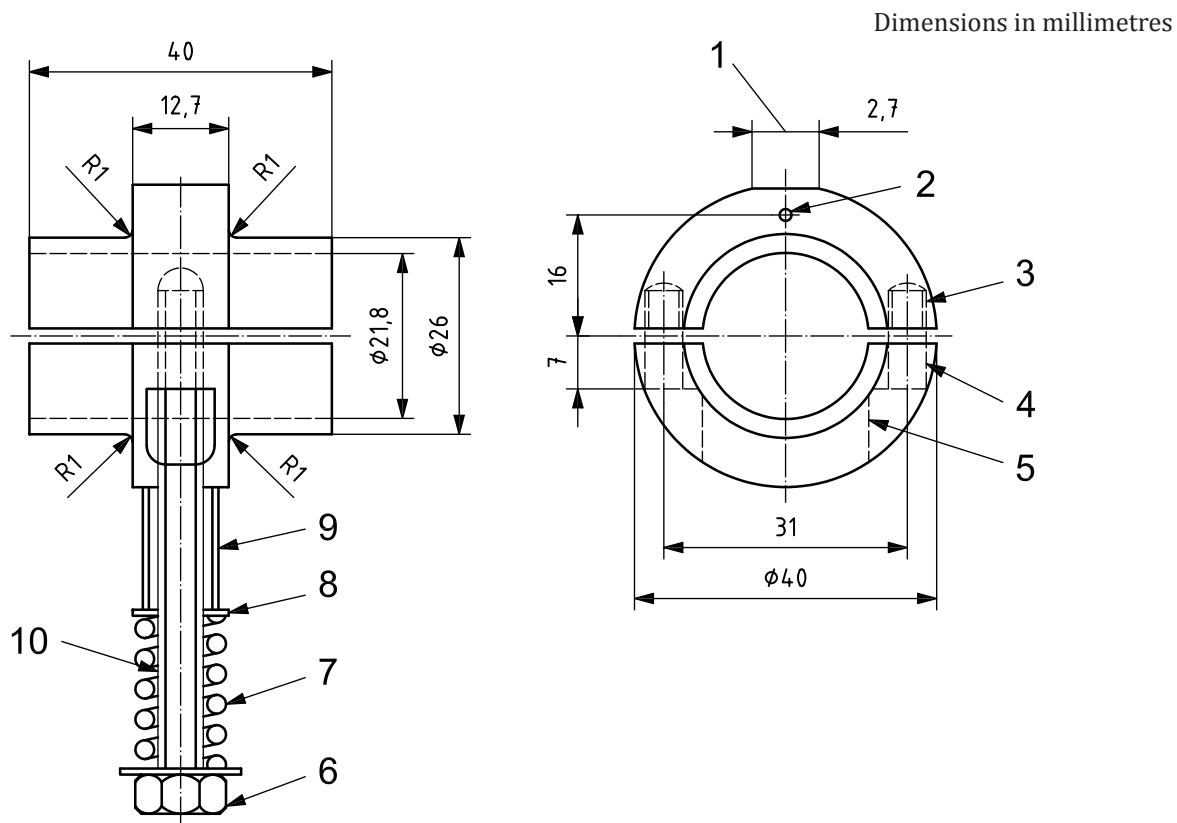
Figure C.1 — Example of suitable filament rod design



Key

- 1 temperature controller
- 2 recorder or computer
- 3 filament rod
- 4 thermocouple, type J or K
- 5 hose
- 6 point of measuring
- 7 testing areas
- 8 contact point
- F* force

Figure C.2 — Point of contact of filament rod with hose (seen from above)



Key

- 1 flat
- 2 hole $\varnothing 1,6 \times 10$
- 3 tap M5 \times 6
- 4 drill $\varnothing 5,5$
- 5 mill $\varnothing 9$
- 6 M5 nut
- 7 compression spring
- 8 M5 washer
- 9 tube spacer
- 10 threaded bar, 5 mm

Figure C.3 — Detail of brass metal sleeve

C.3 Procedure

Couple the test piece in a vertical position, fill it with water at a test temperature of $(15 \pm 5) ^\circ\text{C}$, expelling all air, and subject it to a pressure of 0,7 MPa.

At ambient temperature, adjust the test piece and the sleeve on the filament rod such that the flat side of the sleeve is in contact with one of the marks on the test piece.

Swing the filament rod away from the test piece, switch on the temperature controller and adjust to the test temperature (see 6.5). Maintain and record the test temperature throughout the tests.

Press the filament rod against the mark on the test piece with a force of 4 N.

For semi-rigid hose, after 60 s remove the rod and examine the test piece for leaks.

If a leak occurs in less than the specified time period, stop the test and record the time to failure.

If no leak occurs, repeat the test at the further three marked test positions after ensuring that the sleeve contact area is clean.

C.4 Test report

The test report shall include the following information:

- a) a full description of the hose tested;
- b) a reference to this part of ISO 4642, i.e. ISO 4642-1;
- c) all test results, whether there were any leaks, failures or exposure of the reinforcement and the burst value in seconds;
- d) the temperature at which the test was carried out;
- e) the date of the test.

Annex D (normative)

Bending and crush resistance test

D.1 Test piece

The test piece shall be a length of hose not less than 1 m. A minimum of two test pieces shall be tested.

D.2 Apparatus

A rigid drum of diameter 200 mm for 19 mm inside diameter and 25 mm inside diameter hoses and of diameter 280 mm for 33 mm inside diameter hose.

D.3 Procedure

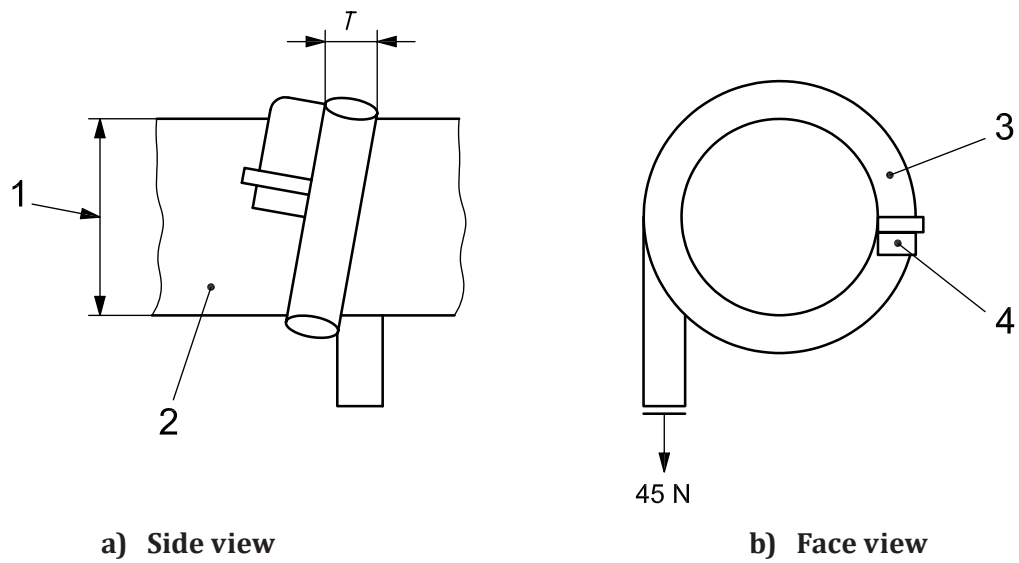
Determine, in accordance with ISO 4671, the average outside diameter of the hose, D , in millimetres, using a suitable measuring instrument.

Clamp one end of the test piece on to the appropriate rigid drum and wind 1,5 turns round the drum (see [Figure D.1](#)). The hose shall not show any visible signs of kinking.

Load the free end of the test piece with a force of 45 N. After 5 min determine the greatest outer dimension, T , in millimetres, of the part of the test piece which is touching the drum.

Measure the outside diameter of the major axis of the hose while the hose is still wound round the drum.

Calculate the ratio $T:D$.



Key

- 1 diameter of the drum
- 2 drum
- 3 clamp
- 4 test piece

Figure D.1 — Bending and crush resistance test

D.4 Test report

The test report shall include the following information:

- a) a full description of the hose tested;
- b) a reference to this part of ISO 4642, i.e. ISO 4642-1;
- c) the mean value of the test result, ratio $T:D$;
- d) whether kinking is observed;
- e) the date of the test.

Annex E (normative)

Type test and routine test

[Table E.1](#) gives the minimum frequencies for the tests specified in this part of ISO 4642.

Type approval tests are those tests carried out to determine that the hose design and methods of manufacture meet the full requirements of this part of ISO 4642. They should be repeated whenever the hose construction or the materials are modified, or every three years, whichever occurs first.

Routine tests are those tests to be carried out on every manufactured length of hose.

Table E.1 — Recommended minimum frequencies for tests

Dimension/property under test (with reference to relevant subclause)	Type test	Routine test
Inside diameter (5.1)	×	×
Tolerance on length (5.2)	×	×
Maximum mass (5.1)	×	—
Change in length at maximum working pressure (6.1.1)	×	—
Change in external diameter at maximum working pressure (6.1.1)	×	—
Twist at maximum working pressure (6.1.1)	×	—
Proof pressure (6.1.2)	×	×
Minimum burst pressure (6.1.3)	×	—
Kink pressure (6.1.4)	×	—
Adhesion (6.2)	×	×
Accelerated ageing (6.3)	×	—
Low temperature flexibility (6.4)	×	—
Bending and crush resistance (6.7)	×	—
Ozone resistance (6.6)	×	—
Hot surface resistance (6.5)	×	—
Loss in mass on heating (6.9)	×	—

Annex F (informative)

Production test

Production tests are those tests to be carried out on hose or sample hose from each batch manufactured. A batch is defined as either maximum 10 000 m of hose or 6 000 m of lining and/or cover plastic compound. [Table F.1](#) gives the recommended tests for production testing.

Table F.1

Dimension/property under test (with reference to relevant subclause)	Batch test
Inside diameter (5.1)	×
Tolerance on length (5.2)	×
Maximum mass (5.1)	×
Change in length at maximum working pressure (6.1.1)	×
Change in external diameter at maximum working pressure (6.1.1)	×
Twist at maximum working pressure (6.1.1)	×
Proof pressure (6.1.2)	×
Minimum burst pressure (6.1.3)	×
Kink pressure (6.1.4)	×
Adhesion (6.2)	×
Accelerated ageing (6.3)	—
Low temperature flexibility (6.4)	—
Bending and crush resistance (6.7)	—
Ozone resistance (6.6)	—
Hot surface resistance (6.5)	—
Loss in mass on heating (6.9)	—

Bibliography

- [1] EN 671-1, *Fixed firefighting systems — Hose systems — Part 1: Hose reels with semi-rigid hose*
- [2] ISO 9001, *Quality management systems — Requirements*
- [3] ISO 23529, *Rubber — General procedures for preparing and conditioning test pieces for physical test methods*
- [4] ISO 30013, *Rubber and plastics hoses — Methods of exposure to laboratory light sources — Determination of changes in colour, appearance and other physical properties*

British Standards Institution (BSI)

BSI is the national body responsible for preparing British Standards and other standards-related publications, information and services.

BSI is incorporated by Royal Charter. British Standards and other standardization products are published by BSI Standards Limited.

About us

We bring together business, industry, government, consumers, innovators and others to shape their combined experience and expertise into standards-based solutions.

The knowledge embodied in our standards has been carefully assembled in a dependable format and refined through our open consultation process. Organizations of all sizes and across all sectors choose standards to help them achieve their goals.

Information on standards

We can provide you with the knowledge that your organization needs to succeed. Find out more about British Standards by visiting our website at bsigroup.com/standards or contacting our Customer Services team or Knowledge Centre.

Buying standards

You can buy and download PDF versions of BSI publications, including British and adopted European and international standards, through our website at bsigroup.com/shop, where hard copies can also be purchased.

If you need international and foreign standards from other Standards Development Organizations, hard copies can be ordered from our Customer Services team.

Subscriptions

Our range of subscription services are designed to make using standards easier for you. For further information on our subscription products go to bsigroup.com/subscriptions.

With **British Standards Online (BSOL)** you'll have instant access to over 55,000 British and adopted European and international standards from your desktop. It's available 24/7 and is refreshed daily so you'll always be up to date.

You can keep in touch with standards developments and receive substantial discounts on the purchase price of standards, both in single copy and subscription format, by becoming a **BSI Subscribing Member**.

PLUS is an updating service exclusive to BSI Subscribing Members. You will automatically receive the latest hard copy of your standards when they're revised or replaced.

To find out more about becoming a BSI Subscribing Member and the benefits of membership, please visit bsigroup.com/shop.

With a **Multi-User Network Licence (MUNL)** you are able to host standards publications on your intranet. Licences can cover as few or as many users as you wish. With updates supplied as soon as they're available, you can be sure your documentation is current. For further information, email bsmusales@bsigroup.com.

BSI Group Headquarters

389 Chiswick High Road London W4 4AL UK

Revisions

Our British Standards and other publications are updated by amendment or revision.

We continually improve the quality of our products and services to benefit your business. If you find an inaccuracy or ambiguity within a British Standard or other BSI publication please inform the Knowledge Centre.

Copyright

All the data, software and documentation set out in all British Standards and other BSI publications are the property of and copyrighted by BSI, or some person or entity that owns copyright in the information used (such as the international standardization bodies) and has formally licensed such information to BSI for commercial publication and use. Except as permitted under the Copyright, Designs and Patents Act 1988 no extract may be reproduced, stored in a retrieval system or transmitted in any form or by any means – electronic, photocopying, recording or otherwise – without prior written permission from BSI. Details and advice can be obtained from the Copyright & Licensing Department.

Useful Contacts:

Customer Services

Tel: +44 845 086 9001

Email (orders): orders@bsigroup.com

Email (enquiries): cservices@bsigroup.com

Subscriptions

Tel: +44 845 086 9001

Email: subscriptions@bsigroup.com

Knowledge Centre

Tel: +44 20 8996 7004

Email: knowledgecentre@bsigroup.com

Copyright & Licensing

Tel: +44 20 8996 7070

Email: copyright@bsigroup.com



...making excellence a habit.™