

BS ISO 4602:2010



BSI Standards Publication

Reinforcements — Woven fabrics — Determination of number of yarns per unit length of warp and weft

bsi.

...making excellence a habit.™

National foreword

This British Standard is the UK implementation of ISO 4602:2010. It supersedes BS ISO 4602:1997 which is withdrawn.

The UK participation in its preparation was entrusted to Technical Committee PRI/42, Fibre reinforced thermosetting plastics and prepregs.

A list of organizations represented on this committee can be obtained on request to its secretary.

This publication does not purport to include all the necessary provisions of a contract. Users are responsible for its correct application.

© BSI 2011

ISBN 978 0 580 65163 2

ICS 59.100.01

Compliance with a British Standard cannot confer immunity from legal obligations.

This British Standard was published under the authority of the Standards Policy and Strategy Committee on 31 January 2011.

Amendments issued since publication

Date	Text affected
------	---------------

INTERNATIONAL STANDARD

BS ISO 4602:2010

ISO
4602

Third edition
2010-12-15

Reinforcements — Woven fabrics — Determination of number of yarns per unit length of warp and weft

*Renforts — Tissus — Détermination du compte de fils de chaîne et de
drites par unité de longueur*



Reference number
ISO 4602:2010(E)

© ISO 2010

PDF disclaimer

This PDF file may contain embedded typefaces. In accordance with Adobe's licensing policy, this file may be printed or viewed but shall not be edited unless the typefaces which are embedded are licensed to and installed on the computer performing the editing. In downloading this file, parties accept therein the responsibility of not infringing Adobe's licensing policy. The ISO Central Secretariat accepts no liability in this area.

Adobe is a trademark of Adobe Systems Incorporated.

Details of the software products used to create this PDF file can be found in the General Info relative to the file; the PDF-creation parameters were optimized for printing. Every care has been taken to ensure that the file is suitable for use by ISO member bodies. In the unlikely event that a problem relating to it is found, please inform the Central Secretariat at the address given below.



COPYRIGHT PROTECTED DOCUMENT

© ISO 2010

All rights reserved. Unless otherwise specified, no part of this publication may be reproduced or utilized in any form or by any means, electronic or mechanical, including photocopying and microfilm, without permission in writing from either ISO at the address below or ISO's member body in the country of the requester.

ISO copyright office
Case postale 56 • CH-1211 Geneva 20
Tel. + 41 22 749 01 11
Fax + 41 22 749 09 47
E-mail copyright@iso.org
Web www.iso.org

Published in Switzerland

Foreword

ISO (the International Organization for Standardization) is a worldwide federation of national standards bodies (ISO member bodies). The work of preparing International Standards is normally carried out through ISO technical committees. Each member body interested in a subject for which a technical committee has been established has the right to be represented on that committee. International organizations, governmental and non-governmental, in liaison with ISO, also take part in the work. ISO collaborates closely with the International Electrotechnical Commission (IEC) on all matters of electrotechnical standardization.

International Standards are drafted in accordance with the rules given in the ISO/IEC Directives, Part 2.

The main task of technical committees is to prepare International Standards. Draft International Standards adopted by the technical committees are circulated to the member bodies for voting. Publication as an International Standard requires approval by at least 75 % of the member bodies casting a vote.

Attention is drawn to the possibility that some of the elements of this document may be the subject of patent rights. ISO shall not be held responsible for identifying any or all such patent rights.

ISO 4602 was prepared by Technical Committee ISO/TC 61, *Plastics*, Subcommittee SC 13, *Composites and reinforcement fibres*.

This third edition cancels and replaces the second edition (ISO 4602:1997), which has been revised principally to include an alternative method (method A) in addition to the original method (now method B). For details, see Clause 2.

Reinforcements — Woven fabrics — Determination of number of yarns per unit length of warp and weft

1 Scope

This International Standard specifies two methods of determining the number of yarns per unit length of warp and weft of woven textile-reinforcement fabrics made of glass, carbon, aramid or any other (textile-diameter) reinforcement fibre.

2 Principle

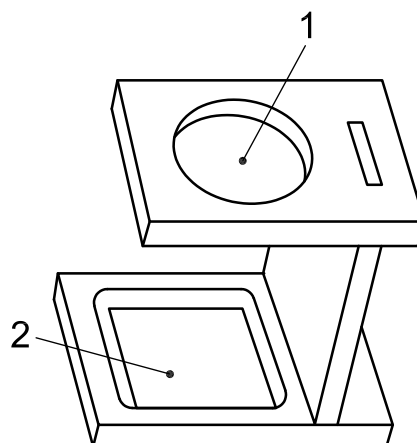
The numbers of yarns in the warp and in the weft are counted over a given distance using a suitable yarn-counting device. Two methods, A and B, are specified. In method A, a given number of yarns is counted and the distance between the first and the last measured. In method B, the distance over which the yarns are to be counted is fixed and the yarns lying within this distance counted. The method used is normally chosen by agreement between the interested parties or specified by the materials specification.

3 Apparatus

3.1 Rule, graduated in millimetres.

3.2 Yarn-counting device: any suitable magnifying device ranging from a counting glass (see Figure 1) to a traversing microscope.

3.3 Suitable needle, if required, for separating the yarns.



Key

- 1 lens (several magnifications available, usually from $\times 7$ to $\times 10$)
- 2 window (several sizes available, usually from 10 mm to 30 mm)

Figure 1 — Example of a counting glass

4 Test area

Measurements shall be made on areas free from creases or deformation.

5 Procedure

5.1 Method A — Measurement of a fixed number of yarns

5.1.1 Determine the number of yarns to be counted so that the distance covering the yarns will be between 10 mm and 200 mm.

The number should preferably be 50 or more. If, however, the distance covering 50 yarns is more than 200 mm, the number may be decreased, down to a minimum of 20.

5.1.2 Lay the fabric smoothly and without tension on a horizontal surface.

5.1.3 Do not make measurements closer than 50 mm to the edges or selvages of the fabric.

5.1.4 Place the graduated rule (3.1) or yarn-counting device (3.2) on the fabric so that the zero (or any other suitable reference point) is coincident with the right-hand edge of a warp yarn.

Count the number of yarns determined in 5.1.1. If necessary, use the needle (3.3) to separate the yarns which have been counted from the yarns which have still to be counted.

Measure the exact distance from the initial reference point to the right-hand edge of the last yarn to be counted. The measurement resolution of this distance shall be 0,5 mm or better.

5.1.5 Consider this as one measurement. Move the graduated rule or yarn-counting device to another position chosen so that none of the yarns in the previous measurement is included and, still counting in the same direction, repeat the above procedure at least three times to give a total of at least four measurements.

For narrow fabric that is not wide enough for four measurements to be made in accordance with the requirements concerning the edges of the fabric (see 5.1.3) and the non-inclusion of yarns which have already been counted (see first paragraph in this subclause), the number of measurements may, by agreement between the interested parties, be reduced to three or two.

5.1.6 Repeat the same procedure for the weft yarns.

5.2 Method B — Measurement over a fixed distance

5.2.1 Determine the distance over which the measurements are to be made, taking care that the distance chosen will enable at least 20 yarns to be counted and that the distance is not less than 10 mm and not more than 200 mm.

5.2.2 Lay the fabric smoothly and without tension on a horizontal surface.

5.2.3 Do not make measurements closer than 50 mm to the edges or selvages of the fabric.

5.2.4 Place the graduated rule (3.1) or yarn-counting device (3.2) on the fabric so that the zero (or any other suitable reference point) is coincident with the right-hand edge of a warp yarn.

Count, to the nearest tenth of a yarn, the number of yarns or part yarns lying within the distance determined in 5.2.1. If necessary, use the needle (3.3) to separate the yarns which have been counted from the yarns which have still to be counted.

5.2.5 Consider this as one measurement. Move the graduated rule or yarn-counting device to another position chosen so that none of the yarns in the previous measurement is included and, still counting in the same direction, repeat the above procedure at least three times to give a total of at least four measurements.

For narrow fabric that is not wide enough for four measurements to be made in accordance with the requirements concerning the edges of the fabric (see 5.2.3) and the non-inclusion of yarns which have already been counted (see first paragraph in this subclause), the number of measurements may, by agreement between the interested parties, be reduced to three or two.

5.2.6 Repeat the same procedure for the weft yarns.

6 Expression of results

6.1 Calculate, for each of the measurements made, the number of warp or weft yarns, N , in a given distance, l (10 mm or 25 mm), using the equation

$$N = \frac{n \times l}{a}$$

where

n is the number of yarns counted;

a is the distance, in millimetres, over which the yarns were counted.

The distance l (10 mm or 25 mm) is referred to as the “unit length”.

6.2 Calculate the average number of warp yarns and the average number of weft yarns per unit length as the arithmetic mean of the measurements made.

6.3 Report the average number of warp and weft yarns per unit length to three significant figures.

7 Precision

The precision of this method is not known because interlaboratory data are not available. When interlaboratory data are obtained, a precision statement will be added at the following revision of this International Standard.

8 Test report

The test report shall include the following particulars:

- a) a reference to this International Standard (i.e. ISO 4602:2010) and the method used (method A or method B);
- b) all details necessary for complete identification of the fabric measured;
- c) the size of the window of the counting glass used (if applicable);
- d) the number of yarns counted in making each measurement (method A) or the distance over which the yarns were counted (method B);
- e) the individual values and the average values of the number of warp yarns per unit length and the number of weft yarns per unit length;
- f) details of any operations not specified in this International Standard, as well as details of any incidents which might have affected the results;
- g) the date of the test.

ICS 59.100.01

Price based on 3 pages

British Standards Institution (BSI)

BSI is the national body responsible for preparing British Standards and other standards-related publications, information and services.

BSI is incorporated by Royal Charter. British Standards and other standardization products are published by BSI Standards Limited.

About us

We bring together business, industry, government, consumers, innovators and others to shape their combined experience and expertise into standards-based solutions.

The knowledge embodied in our standards has been carefully assembled in a dependable format and refined through our open consultation process. Organizations of all sizes and across all sectors choose standards to help them achieve their goals.

Information on standards

We can provide you with the knowledge that your organization needs to succeed. Find out more about British Standards by visiting our website at bsigroup.com/standards or contacting our Customer Services team or Knowledge Centre.

Buying standards

You can buy and download PDF versions of BSI publications, including British and adopted European and international standards, through our website at bsigroup.com/shop, where hard copies can also be purchased.

If you need international and foreign standards from other Standards Development Organizations, hard copies can be ordered from our Customer Services team.

Subscriptions

Our range of subscription services are designed to make using standards easier for you. For further information on our subscription products go to bsigroup.com/subscriptions.

With **British Standards Online (BSOL)** you'll have instant access to over 55,000 British and adopted European and international standards from your desktop. It's available 24/7 and is refreshed daily so you'll always be up to date.

You can keep in touch with standards developments and receive substantial discounts on the purchase price of standards, both in single copy and subscription format, by becoming a **BSI Subscribing Member**.

PLUS is an updating service exclusive to BSI Subscribing Members. You will automatically receive the latest hard copy of your standards when they're revised or replaced.

To find out more about becoming a BSI Subscribing Member and the benefits of membership, please visit bsigroup.com/shop.

With a **Multi-User Network Licence (MUNL)** you are able to host standards publications on your intranet. Licences can cover as few or as many users as you wish. With updates supplied as soon as they're available, you can be sure your documentation is current. For further information, email bsmusales@bsigroup.com.

BSI Group Headquarters

389 Chiswick High Road London W4 4AL UK

Revisions

Our British Standards and other publications are updated by amendment or revision.

We continually improve the quality of our products and services to benefit your business. If you find an inaccuracy or ambiguity within a British Standard or other BSI publication please inform the Knowledge Centre.

Copyright

All the data, software and documentation set out in all British Standards and other BSI publications are the property of and copyrighted by BSI, or some person or entity that owns copyright in the information used (such as the international standardization bodies) and has formally licensed such information to BSI for commercial publication and use. Except as permitted under the Copyright, Designs and Patents Act 1988 no extract may be reproduced, stored in a retrieval system or transmitted in any form or by any means – electronic, photocopying, recording or otherwise – without prior written permission from BSI. Details and advice can be obtained from the Copyright & Licensing Department.

Useful Contacts:

Customer Services

Tel: +44 845 086 9001

Email (orders): orders@bsigroup.com

Email (enquiries): cservices@bsigroup.com

Subscriptions

Tel: +44 845 086 9001

Email: subscriptions@bsigroup.com

Knowledge Centre

Tel: +44 20 8996 7004

Email: knowledgecentre@bsigroup.com

Copyright & Licensing

Tel: +44 20 8996 7070

Email: copyright@bsigroup.com



...making excellence a habit.™