

BS ISO 3438:2013



BSI Standards Publication

Subland twist drills for holes prior to tapping screw threads

bsi.

...making excellence a habit.™

National foreword

This British Standard is the UK implementation of ISO 3438:2013. It supersedes BS ISO 3438:2003 which is withdrawn.

The UK participation in its preparation was entrusted to Technical Committee MTE/18, Tools tips and inserts for cutting applications.

A list of organizations represented on this committee can be obtained on request to its secretary.

This publication does not purport to include all the necessary provisions of a contract. Users are responsible for its correct application.

© The British Standards Institution 2013. Published by BSI Standards Limited 2013

ISBN 978 0 580 77002 9

ICS 25.100.30

Compliance with a British Standard cannot confer immunity from legal obligations.

This British Standard was published under the authority of the Standards Policy and Strategy Committee on 30 June 2013.

Amendments issued since publication

Date	Text affected
------	---------------

INTERNATIONAL
STANDARD

BS ISO 3438:2013

ISO
3438

Third edition
2013-05-01

**Subland twist drills for holes prior to
tapping screw threads**

Forets étagés pour avant-trous de taraudage



Reference number
ISO 3438:2013(E)

© ISO 2013



COPYRIGHT PROTECTED DOCUMENT

© ISO 2013

All rights reserved. Unless otherwise specified, no part of this publication may be reproduced or utilized otherwise in any form or by any means, electronic or mechanical, including photocopying, or posting on the internet or an intranet, without prior written permission. Permission can be requested from either ISO at the address below or ISO's member body in the country of the requester.

ISO copyright office
Case postale 56 • CH-1211 Geneva 20
Tel. + 41 22 749 01 11
Fax + 41 22 749 09 47
E-mail copyright@iso.org
Web www.iso.org

Published in Switzerland

Contents

Page

Foreword	iv
1 Scope	1
2 Normative references	1
3 Dimensions	1
3.1 General.....	1
3.2 Subland twist drills with Morse taper shank.....	1
3.3 Subland twist drill with cylindrical shank.....	2
Annex A (informative) Relationship between the symbols of this International Standard and the ISO 13399 series	4
Bibliography	5

Foreword

ISO (the International Organization for Standardization) is a worldwide federation of national standards bodies (ISO member bodies). The work of preparing International Standards is normally carried out through ISO technical committees. Each member body interested in a subject for which a technical committee has been established has the right to be represented on that committee. International organizations, governmental and non-governmental, in liaison with ISO, also take part in the work. ISO collaborates closely with the International Electrotechnical Commission (IEC) on all matters of electrotechnical standardization.

International Standards are drafted in accordance with the rules given in the ISO/IEC Directives, Part 2.

The main task of technical committees is to prepare International Standards. Draft International Standards adopted by the technical committees are circulated to the member bodies for voting. Publication as an International Standard requires approval by at least 75 % of the member bodies casting a vote.

Attention is drawn to the possibility that some of the elements of this document may be the subject of patent rights. ISO shall not be held responsible for identifying any or all such patent rights.

ISO 3438 was prepared by Technical Committee ISO/TC 29, *Small tools*, Subcommittee SC 2, *High speed steel cutting tools and their attachments*.

This third edition cancels and replaces the second edition (ISO 3438:2003), of which it constitutes a minor revision with the following changes:

- merging of ISO 3438:2003 and ISO 3439:2003 into a single standard;
- adding of an informative annex giving the relationship between the symbols of this document and the symbols according to the ISO 13399 series.

Subland twist drills for holes prior to tapping screw threads

1 Scope

This International Standard specifies the dimensions of subland twist drills with Morse taper shanks and cylindrical shanks for holes prior to tapping screw threads.

The drills are designed to produce holes prior to tapping metric threads (coarse pitch series) over a selected range of:

- M8 to M30 for subland twist drills with Morse taper shanks;
- M3 to M14 for subland twist drills with cylindrical shanks.

This International Standard complements ISO 2306.

The relationship between the symbols of this International Standard and those according to the ISO 13399 series is given for information in [Annex A](#).

2 Normative references

The following documents, in whole or in part, are normatively referenced in this document and are indispensable for its application. For dated references, only the edition cited applies. For undated references, the latest edition of the referenced document (including any amendments) applies.

ISO 296, *Machine tools — Self-holding tapers for tool shanks*

ISO 2768-1, *General tolerances — Part 1: Tolerances for linear and angular dimensions without individual tolerance indications*

ISO 10899:1996, *High-speed steel two-flute twist drills — Technical specifications*

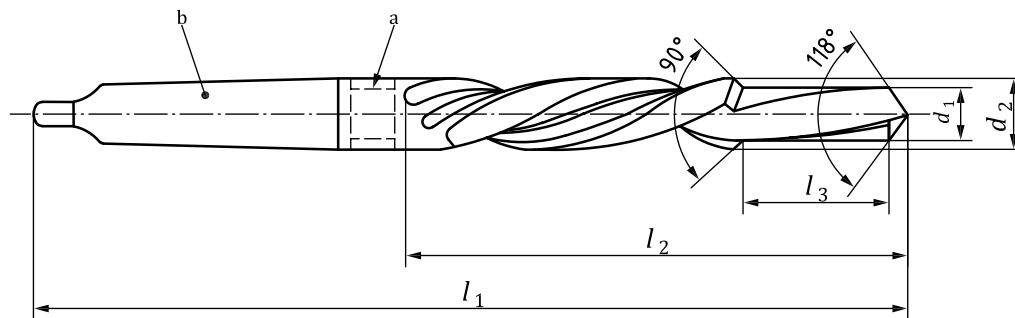
3 Dimensions

3.1 General

All dimensions and tolerances are given in millimetres. Tolerances not specified shall be of tolerance class “c” in accordance with ISO 2768-1.

3.2 Subland twist drills with Morse taper shank

The dimensions for subland twist drills with Morse taper shanks shall be in accordance with the dimensions shown in Figure 1 and given in Table 1.



- a Optional recess.
- b Morse taper in accordance with ISO 296, but with a cone tolerance as defined in ISO 10899:1996, 5.3, and [Annex A](#).

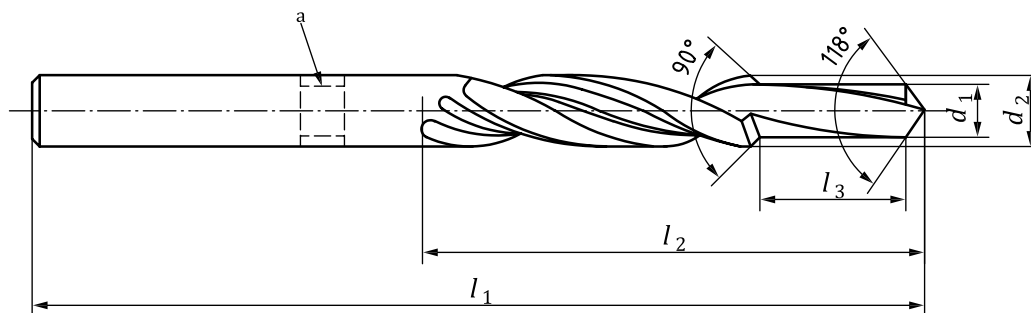
Figure 1 — Subland twist drill with Morse taper shank

Table 1 — Dimensions of subland twist drill with Morse taper shank prior to tapping metric screw threads

d_1 h8	d_2 h8	l_1	l_2	l_3	Morse taper No.	Thread
6,8	9	162	81	21	1	M8 × 1,25
8,5	11	175	94	25,5		M10 × 1,5
10,2	13,5	189	108	30		M12 × 1,75
12	15,5	218	120	34,5	2	M14 × 2
14	17,5	228	130	38,5		M16 × 2
15,5	20	238	140	43,5		M18 × 2,5
17,5	22	248	150	47,5	3	M20 × 2,5
19,5	24	281	160	51,5		M22 × 2,5
21	26	286	165	56,5	3	M24 × 3
24	30	296	175	62,5		M27 × 3
26,5	33	334	185	70	4	M30 × 3,5

3.3 Subland twist drill with cylindrical shank

The dimensions for subland twist drills with cylindrical shanks shall be in accordance with the dimensions shown in Figure 2 and given in Table 2.



- a Optional recess.

Figure 2 — Subland twist drill with cylindrical shank

Table 2 — Dimensions of subland twist drill with cylindrical shank prior to tapping metric screw threads

d_1 h8	d_2 h8	l_1	l_2	l_3	Thread
2,5	3,4	70	39	8,8	M3 × 0,5
3,3	4,5	80	47	11,4	M4 × 0,7
4,2	5,5	93	57	13,6	M5 × 0,8
5	6,6	101	63	16,5	M6 × 1
6,8	9	125	81	21	M8 × 1,25
8,5	11	142	94	25,5	M10 × 1,5
10,2	13,5	160	108	30	M12 × 1,75
12	15,5	178	120	34,5	M14 × 2

Annex A (informative)

Relationship between the symbols of this International Standard and the ISO 13399 series

A.1 Relationship between symbols

For the relationship between the symbols of this International Standard and symbols according to the ISO 13399 series, see Table A.1.

Table A.1 — Relationship between symbols in this International Standard and the ISO 13399 series

Symbol in ISO 3438 (this International Standard)	Reference in ISO 3438 (this International Standard)	Property name in the ISO 13399 series	Symbol in the ISO 13399 series	ISO 13399 series BSU code
d_1	Figures 1 and 2	Cutting diameter	DCON	ISO/TS 13399-3 71CF29862B277
d_2	Figures 1 and 2	Cutting diameter	DCON	ISO/TS 13399-3 71CF29862B277
l_1	Figures 1 and 2	Overall length	OAL	ISO/TS 13399-3 71D078EB7C086
l_2	Figures 1 and 2	Length chip flute	LCF	ISO/TS 13399-3 71DCD39338974
l_3	Figures 1 and 2	Step diameter length	SDL	ISO/TS 13399-3 71D078F5BEDBE

Bibliography

- [1] ISO 13399-1, *Cutting tool data representation and exchange — Part 1: Overview, fundamental principles and general information model*
- [2] ISO/TS 13399-2, *Cutting tool data representation and exchange — Part 2: Reference dictionary for the cutting items*
- [3] ISO/TS 13399-3, *Cutting tool data representation and exchange — Part 3: Reference dictionary for tool items*
- [4] ISO/TS 13399-4, *Cutting tool data representation and exchange — Part 4: Reference dictionary for adaptive items*
- [5] ISO/TS 13399-5, *Cutting tool data representation and exchange — Part 5: Reference dictionary for assembly items*
- [6] ISO 13399-50, *Cutting tool data representation and exchange — Part 50: Reference dictionary for reference systems and common concepts*
- [7] ISO 13399-60, *Cutting tool data representation and exchange — Part 60: Reference dictionary for connection systems*
- [8] ISO 13399-100, *Cutting tool data representation and exchange — Part 100: Definitions, principles and methods for reference dictionaries*
- [9] ISO 13399-150, *Cutting tool data representation and exchange — Part 150: Usage guidelines*

British Standards Institution (BSI)

BSI is the national body responsible for preparing British Standards and other standards-related publications, information and services.

BSI is incorporated by Royal Charter. British Standards and other standardization products are published by BSI Standards Limited.

About us

We bring together business, industry, government, consumers, innovators and others to shape their combined experience and expertise into standards-based solutions.

The knowledge embodied in our standards has been carefully assembled in a dependable format and refined through our open consultation process. Organizations of all sizes and across all sectors choose standards to help them achieve their goals.

Information on standards

We can provide you with the knowledge that your organization needs to succeed. Find out more about British Standards by visiting our website at bsigroup.com/standards or contacting our Customer Services team or Knowledge Centre.

Buying standards

You can buy and download PDF versions of BSI publications, including British and adopted European and international standards, through our website at bsigroup.com/shop, where hard copies can also be purchased.

If you need international and foreign standards from other Standards Development Organizations, hard copies can be ordered from our Customer Services team.

Subscriptions

Our range of subscription services are designed to make using standards easier for you. For further information on our subscription products go to bsigroup.com/subscriptions.

With **British Standards Online (BSOL)** you'll have instant access to over 55,000 British and adopted European and international standards from your desktop. It's available 24/7 and is refreshed daily so you'll always be up to date.

You can keep in touch with standards developments and receive substantial discounts on the purchase price of standards, both in single copy and subscription format, by becoming a **BSI Subscribing Member**.

PLUS is an updating service exclusive to BSI Subscribing Members. You will automatically receive the latest hard copy of your standards when they're revised or replaced.

To find out more about becoming a BSI Subscribing Member and the benefits of membership, please visit bsigroup.com/shop.

With a **Multi-User Network Licence (MUNL)** you are able to host standards publications on your intranet. Licences can cover as few or as many users as you wish. With updates supplied as soon as they're available, you can be sure your documentation is current. For further information, email bsmusales@bsigroup.com.

BSI Group Headquarters

389 Chiswick High Road London W4 4AL UK

Revisions

Our British Standards and other publications are updated by amendment or revision.

We continually improve the quality of our products and services to benefit your business. If you find an inaccuracy or ambiguity within a British Standard or other BSI publication please inform the Knowledge Centre.

Copyright

All the data, software and documentation set out in all British Standards and other BSI publications are the property of and copyrighted by BSI, or some person or entity that owns copyright in the information used (such as the international standardization bodies) and has formally licensed such information to BSI for commercial publication and use. Except as permitted under the Copyright, Designs and Patents Act 1988 no extract may be reproduced, stored in a retrieval system or transmitted in any form or by any means – electronic, photocopying, recording or otherwise – without prior written permission from BSI. Details and advice can be obtained from the Copyright & Licensing Department.

Useful Contacts:

Customer Services

Tel: +44 845 086 9001

Email (orders): orders@bsigroup.com

Email (enquiries): cservices@bsigroup.com

Subscriptions

Tel: +44 845 086 9001

Email: subscriptions@bsigroup.com

Knowledge Centre

Tel: +44 20 8996 7004

Email: knowledgecentre@bsigroup.com

Copyright & Licensing

Tel: +44 20 8996 7070

Email: copyright@bsigroup.com



...making excellence a habit.™