

BS ISO 3271:2015



BSI Standards Publication

Iron ores for blast furnace and direct reduction feedstocks — Determination of the tumble and abrasion indices

bsi.

...making excellence a habit.™

National foreword

This British Standard is the UK implementation of ISO 3271:2015. It supersedes BS ISO 3271:2007 which is withdrawn.

The UK participation in its preparation was entrusted to Technical Committee ISE/58, Iron ores.

A list of organizations represented on this committee can be obtained on request to its secretary.

This publication does not purport to include all the necessary provisions of a contract. Users are responsible for its correct application.

© The British Standards Institution 2015. Published by BSI Standards Limited 2015

ISBN 978 0 580 79283 0

ICS 73.060.10

Compliance with a British Standard cannot confer immunity from legal obligations.

This British Standard was published under the authority of the Standards Policy and Strategy Committee on 31 August 2015.

Amendments issued since publication

Date	Text affected
------	---------------

INTERNATIONAL
STANDARD

BS ISO 3271:2015

ISO
3271

Fifth edition
2015-08-01

**Iron ores for blast furnace and
direct reduction feedstocks —
Determination of the tumble and
abrasion indices**

*Minerais de fer pour charges de hauts fourneaux et pour procédés par
réduction directe — Détermination des indices de cohésion et d'abrasion*



Reference number
ISO 3271:2015(E)

© ISO 2015



COPYRIGHT PROTECTED DOCUMENT

© ISO 2015, Published in Switzerland

All rights reserved. Unless otherwise specified, no part of this publication may be reproduced or utilized otherwise in any form or by any means, electronic or mechanical, including photocopying, or posting on the internet or an intranet, without prior written permission. Permission can be requested from either ISO at the address below or ISO's member body in the country of the requester.

ISO copyright office
Ch. de Blandonnet 8 • CP 401
CH-1214 Vernier, Geneva, Switzerland
Tel. +41 22 749 01 11
Fax +41 22 749 09 47
copyright@iso.org
www.iso.org

Contents

Page

Foreword	iv
Introduction	v
1 Scope	1
2 Normative references	1
3 Terms and definitions	1
4 Principle	1
5 Sampling, sample preparation, and preparation of test portions	1
5.1 Sampling and sample preparation.....	1
5.2 Preparation of test portions.....	2
6 Apparatus	2
6.1 General.....	2
7 Procedure	3
7.1 Number of determinations for the test.....	3
7.2 Tumbling.....	3
7.3 Sieving.....	3
8 Expression of results	3
8.1 Calculation of the tumble index (TI) and abrasion index (AI).....	3
8.2 Repeatability and acceptance of test results.....	4
9 Test report	4
10 Verification	4
Annex A (normative) Flowsheet of the procedure for the acceptance of test results	6

Foreword

ISO (the International Organization for Standardization) is a worldwide federation of national standards bodies (ISO member bodies). The work of preparing International Standards is normally carried out through ISO technical committees. Each member body interested in a subject for which a technical committee has been established has the right to be represented on that committee. International organizations, governmental and non-governmental, in liaison with ISO, also take part in the work. ISO collaborates closely with the International Electrotechnical Commission (IEC) on all matters of electrotechnical standardization.

The procedures used to develop this document and those intended for its further maintenance are described in the ISO/IEC Directives, Part 1. In particular the different approval criteria needed for the different types of ISO documents should be noted. This document was drafted in accordance with the editorial rules of the ISO/IEC Directives, Part 2 (see www.iso.org/directives).

Attention is drawn to the possibility that some of the elements of this document may be the subject of patent rights. ISO shall not be held responsible for identifying any or all such patent rights. Details of any patent rights identified during the development of the document will be in the Introduction and/or on the ISO list of patent declarations received (see www.iso.org/patents).

Any trade name used in this document is information given for the convenience of users and does not constitute an endorsement.

For an explanation on the meaning of ISO specific terms and expressions related to conformity assessment, as well as information about ISO's adherence to the WTO principles in the Technical Barriers to Trade (TBT) see the following URL: [Foreword - Supplementary information](#).

The committee responsible for this document is ISO/TC 102, *Iron ore and direct reduced iron*, Subcommittee SC 3, *Physical testing*.

This fifth edition cancels and replaces the fourth edition (ISO 3271:2007), of which it constitutes a minor revision to contemplate the care needed during hand sieving, to introduce the mechanical sieving, and to exclude the reference to ISO 4701.

Introduction

This International Standard concerns one of a number of physical test methods that have been developed to measure various physical parameters and to evaluate the behaviour of iron ores, including reducibility, disintegration, crushing strength, apparent density, etc. This method was developed to provide a uniform procedure, validated by collaborative testing, to facilitate comparisons of tests made in different laboratories.

The results of this test have to be considered in conjunction with other tests used to evaluate the quality of iron ores as feedstocks for blast furnace and direct reduction processes.

This International Standard can be used to provide test results as part of a production quality-control system, as a basis of a contract, or as part of a research project.

Iron ores for blast furnace and direct reduction feedstocks — Determination of the tumble and abrasion indices

CAUTION — This International Standard may involve hazardous operations and equipment. This International Standard does not purport to address all of the safety issues associated with its use. It is the responsibility of the user of this International Standard to establish appropriate safety and health practices and determine the applicability of regulatory limitations prior to its use.

1 Scope

This International Standard specifies a method to provide a relative measure for evaluating the resistance of iron ores to size degradation by impact and abrasion. It covers the determination of the tumble and abrasion indices.

This International Standard is applicable to lump ores, sinters, and hot-bonded pellets.

2 Normative references

The following documents, in whole or in part, are normatively referenced in this document and are indispensable for its application. For dated references, only the edition cited applies. For undated references, the latest edition of the referenced document (including any amendments) applies.

ISO 3082, *Iron ores — Sampling and sample preparation procedures*

ISO 3310-1, *Test sieves — Technical requirements and testing — Part 1: Test sieves of metal wire cloth*

ISO 3310-2, *Test sieves — Technical requirements and testing — Part 2: Test sieves of perforated metal plate*

ISO 11323, *Iron ore and direct reduced iron — Vocabulary*

3 Terms and definitions

For the purposes of this document, the terms and definitions given in ISO 11323 apply.

4 Principle

The test portion is tumbled in a circular drum for a total of 200 revolutions, at 25 r/min. The product material is sieved with test sieves having square openings of 6,30 mm and 500 μm . The tumble index is expressed as the mass percentage of material greater than 6,30 mm and the abrasion index as the mass percentage of material less than 500 μm .

5 Sampling, sample preparation, and preparation of test portions

5.1 Sampling and sample preparation

Sampling of a lot and preparation of a test sample shall be in accordance with ISO 3082.

The size range for pellets shall be $-40,0 \text{ mm} + 6,30 \text{ mm}$.

The size range for sinters and lump ores shall be $-40,0 \text{ mm} + 10,0 \text{ mm}$.

A test sample of at least 60 kg, on a dry basis, of the sized material shall be obtained.

Oven-dry the test sample to constant mass at $105\text{ °C} \pm 5\text{ °C}$ and cool it to room temperature before preparation of the test portions.

NOTE Constant mass is achieved when the difference in mass between two subsequent measurements becomes less than 0,05 % of the initial mass of the test sample.

5.2 Preparation of test portions

The test portions shall be obtained from the test sample using the division methods given in ISO 3082.

For pellets, at least four test portions, each of $15\text{ kg} \pm 0,15\text{ kg}$ mass shall be prepared.

For sinters and lump ores, the test sample shall be separated into four fractions by sieving through 25,0 mm, 16,0 mm, and 10,0 mm sieves. From the material on the three sieves, at least four test portions, each of $15\text{ kg} \pm 0,15\text{ kg}$ mass, shall be reconstituted by taking a proportionate mass of material from each of the fractions. Register the mass of each test portion on its recipient label.

6 Apparatus

6.1 General

The test apparatus shall comprise the following:

- a) ordinary laboratory equipment, such as an oven, hand tools, and safety equipment;
- b) tumble drum and rotation equipment;
- c) test sieves;
- d) weighing device.

6.2 Tumble drum, made of steel plate at least 5 mm in thickness, having an internal diameter of 1 000 mm and an internal length of 500 mm. Two equally spaced L-shaped steel lifters 50 mm flat \times 50 mm high \times 5 mm thick and 500 mm long shall be solidly attached longitudinally inside the drum by welding, in such a manner as to prevent accumulation of material between the lifter and drum. Each lifter shall be fastened so that it points towards the axis of the drum, with its attached leg pointing away from the direction of rotation, thus providing a clear unobstructed shelf for lifting the sample. The door shall be so constructed as to fit into the drum to form a smooth inner surface. During the test, the door shall be rigidly fastened and sealed to prevent loss of the sample. The drum shall be rotated on stub axles attached to its ends by flanges welded so as to provide smooth inner surfaces. The drum shall be replaced, in any case, when the thickness of the plate is reduced to 3 mm in any area. The lifters shall be replaced when the height of the shelf is reduced to less than 47 mm.

[Figure 1](#) shows an example of a tumble drum.

6.3 Drum rotation equipment, capable of ensuring that the drum attains full speed in one revolution, rotates at a constant speed of $25\text{ r/min} \pm 1\text{ r/min}$, and stops within one revolution. The equipment shall be fitted with a revolution counter and with an automatic device for stopping the drum after a predetermined number of revolutions.

6.4 Test sieves, conforming to ISO 3310-1 or ISO 3310-2 and having square apertures of the following nominal sizes: 6,30 mm and 500 μm .

6.5 Weighing device, capable of weighing the test sample and test portions and having a sensitivity of 1/1 000 or better.

7 Procedure

7.1 Number of determinations for the test

Carry out the test as many times as required by the procedure in [Annex A](#).

7.2 Tumbling

Take, at random, one of the test portions prepared in [5.2](#), record its mass (m_0), and place it in the tumble drum ([6.2](#)). Tightly fasten the door and rotate the drum at $25 \text{ r/min} \pm 1 \text{ r/min}$ for a total of 200 revolutions. Stop the drum and keep the door fastened for at least 2 min before opening, to allow the dust to settle.

DANGER — Tumbling can be noisy and care should be taken to protect the hearing of the operator.

It is recommended that putty or modelling clay be used to seal the door to prevent the loss of fines from the drum.

7.3 Sieving

Remove all the material carefully from the drum and hand sieve it with care on the 6,30 mm and 500 μm sieves ([6.4](#)). Determine and record the mass of each fraction retained on the 6,30 mm (m_1) and 500 μm (m_2) sieves to the nearest 0,1 g. Material lost during sieving shall be considered to be part of the $-500 \mu\text{m}$ fraction.

NOTE 1 Scalping sieves can be used to lessen the load on the critical sieves.

NOTE 2 Equivalent mechanical sieving can be used provided that preliminary test programme is carried out according to ISO 3086, being the hand sieving the reference method.

NOTE 3 Sieving results are influenced by the sieve shaker characteristics. Therefore, in cases in which two or more laboratories need to compare their results for commercial or research purposes, they can adjust the sieving conditions until they obtain identical results for the same test sample.

The difference between the initial mass of the test portion and the total mass of the fractions shall not exceed 1,0 %. If this difference exceeds 1,0 %, the test shall be rejected.

8 Expression of results

8.1 Calculation of the tumble index (TI) and abrasion index (AI)

The tumble index, TI, and the abrasion index, AI, expressed as percentages by mass, are calculated from Formula (1) and Formula (2), respectively:

$$\text{TI} = \frac{m_1}{m_0} \times 100 \quad (1)$$

$$\text{AI} = \frac{m_0 - (m_1 + m_2)}{m_0} \times 100 \quad (2)$$

where

m_0 is the mass, in kilograms, of the test portion as weighed out and placed in the tumble drum;

m_1 is the mass, in kilograms, of +6,30 mm fraction of the tumbled test portion;

m_2 is the mass, in kilograms, of $-6,30 \text{ mm} + 500 \mu\text{m}$ fraction of the tumbled test portion.

Record each result to one decimal place.

8.2 Repeatability and acceptance of test results

Follow the procedure in [Annex A](#) for each of the indices, by using the repeatability given in [Table 1](#). The results shall be reported to one decimal place.

Table 1 — Repeatability (*r*)

Tumble strength	<i>r</i> %, absolute
Tumble index TI (+6,30 mm)	1,4
Abrasion index AI (-500 μm)	0,8

9 Test report

The test report shall include the following information:

- a) a reference to this International Standard, i.e. ISO 3271;
- b) all details necessary for the identification of the sample;
- c) the name and address of the test laboratory;
- d) the date of the test;
- e) the date of the test report;
- f) the signature of the person responsible for the test;
- g) the details of any operation and any test conditions not specified in this International Standard or regarded as optional, as well as any incident which may have had an influence on the results;
- h) the tumble index, TI, and the abrasion index, AI;
- i) the type of sieve used.

10 Verification

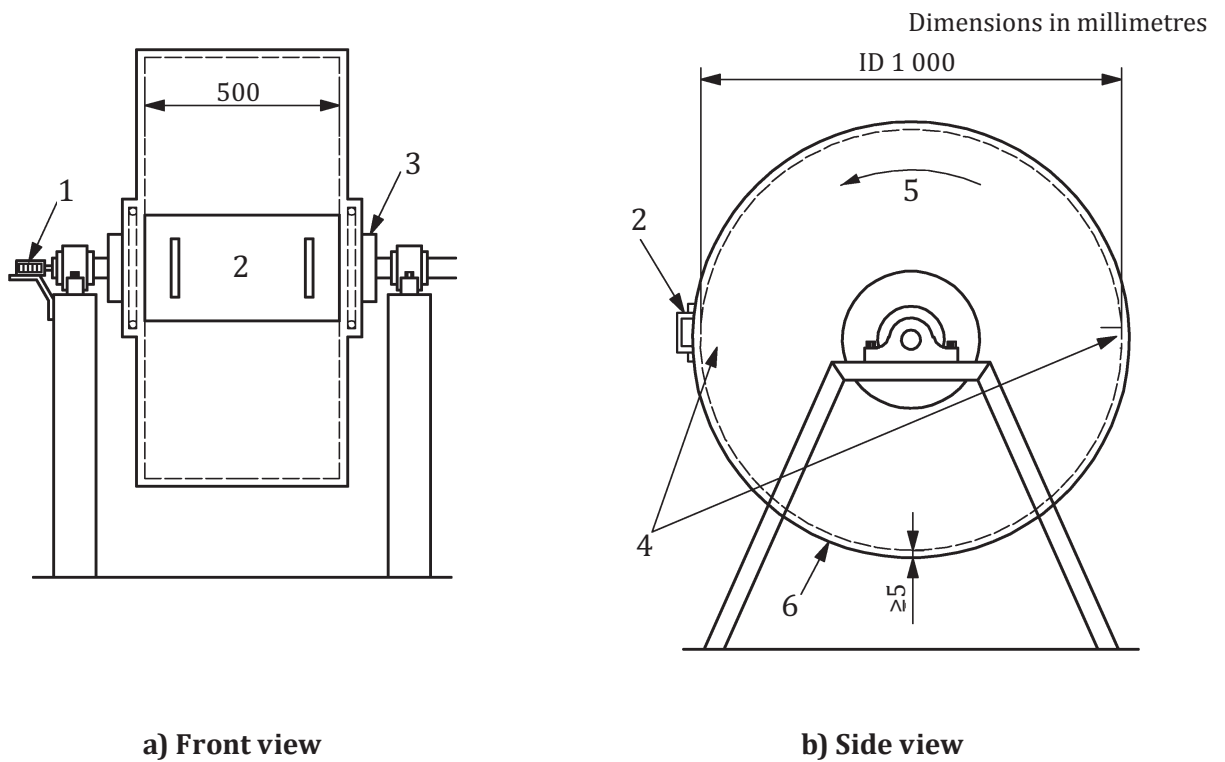
Regular checking of the apparatus is essential to ensure test-result reliability. The frequency of checking is a matter for each laboratory to determine.

The conditions of the following items shall be checked:

- sieves;
- weighing device;
- tumble drum;
- drum rotation equipment.

It is recommended that internal reference material be prepared and used periodically to check test repeatability.

Appropriate records of verification activities shall be maintained.



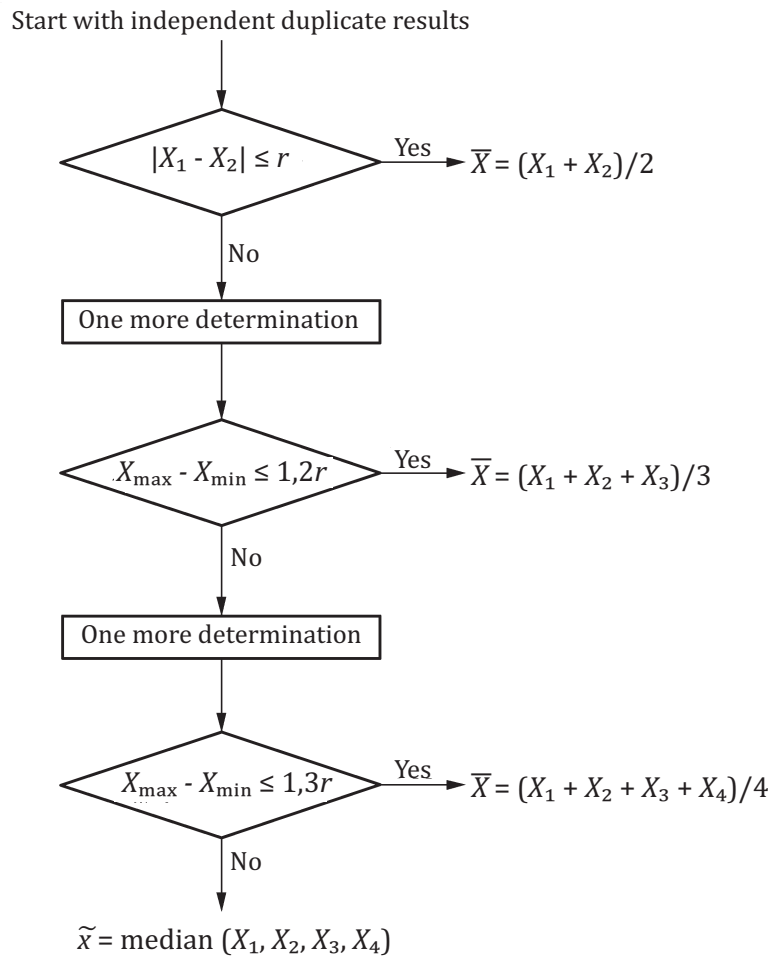
Key

- 1 revolution counter
- 2 door with handle
- 3 stub axle (no through shaft)
- 4 two lifters (50 × 50 × 5)
- 5 direction of rotation
- 6 plate
- ID internal diameter

Figure 1 — Example of test apparatus (schematic diagram)

Annex A (normative)

Flowsheet of the procedure for the acceptance of test results



r: see [Table 1](#)

British Standards Institution (BSI)

BSI is the national body responsible for preparing British Standards and other standards-related publications, information and services.

BSI is incorporated by Royal Charter. British Standards and other standardization products are published by BSI Standards Limited.

About us

We bring together business, industry, government, consumers, innovators and others to shape their combined experience and expertise into standards-based solutions.

The knowledge embodied in our standards has been carefully assembled in a dependable format and refined through our open consultation process. Organizations of all sizes and across all sectors choose standards to help them achieve their goals.

Information on standards

We can provide you with the knowledge that your organization needs to succeed. Find out more about British Standards by visiting our website at bsigroup.com/standards or contacting our Customer Services team or Knowledge Centre.

Buying standards

You can buy and download PDF versions of BSI publications, including British and adopted European and international standards, through our website at bsigroup.com/shop, where hard copies can also be purchased.

If you need international and foreign standards from other Standards Development Organizations, hard copies can be ordered from our Customer Services team.

Subscriptions

Our range of subscription services are designed to make using standards easier for you. For further information on our subscription products go to bsigroup.com/subscriptions.

With **British Standards Online (BSOL)** you'll have instant access to over 55,000 British and adopted European and international standards from your desktop. It's available 24/7 and is refreshed daily so you'll always be up to date.

You can keep in touch with standards developments and receive substantial discounts on the purchase price of standards, both in single copy and subscription format, by becoming a **BSI Subscribing Member**.

PLUS is an updating service exclusive to BSI Subscribing Members. You will automatically receive the latest hard copy of your standards when they're revised or replaced.

To find out more about becoming a BSI Subscribing Member and the benefits of membership, please visit bsigroup.com/shop.

With a **Multi-User Network Licence (MUNL)** you are able to host standards publications on your intranet. Licences can cover as few or as many users as you wish. With updates supplied as soon as they're available, you can be sure your documentation is current. For further information, email bsmusales@bsigroup.com.

BSI Group Headquarters

389 Chiswick High Road London W4 4AL UK

Revisions

Our British Standards and other publications are updated by amendment or revision.

We continually improve the quality of our products and services to benefit your business. If you find an inaccuracy or ambiguity within a British Standard or other BSI publication please inform the Knowledge Centre.

Copyright

All the data, software and documentation set out in all British Standards and other BSI publications are the property of and copyrighted by BSI, or some person or entity that owns copyright in the information used (such as the international standardization bodies) and has formally licensed such information to BSI for commercial publication and use. Except as permitted under the Copyright, Designs and Patents Act 1988 no extract may be reproduced, stored in a retrieval system or transmitted in any form or by any means – electronic, photocopying, recording or otherwise – without prior written permission from BSI. Details and advice can be obtained from the Copyright & Licensing Department.

Useful Contacts:

Customer Services

Tel: +44 845 086 9001

Email (orders): orders@bsigroup.com

Email (enquiries): cservices@bsigroup.com

Subscriptions

Tel: +44 845 086 9001

Email: subscriptions@bsigroup.com

Knowledge Centre

Tel: +44 20 8996 7004

Email: knowledgecentre@bsigroup.com

Copyright & Licensing

Tel: +44 20 8996 7070

Email: copyright@bsigroup.com



...making excellence a habit.™