

BS ISO 2328:2011



BSI Standards Publication

Fork-lift trucks — Hook-on type fork arms and fork arm carriages — Mounting dimensions

bsi.

...making excellence a habit.™

National foreword

This British Standard is the UK implementation of ISO 2328:2011. It supersedes BS ISO 2328:2007 which is withdrawn.

The UK participation in its preparation was entrusted to Technical Committee MHE/7, Industrial trucks.

A list of organizations represented on this committee can be obtained on request to its secretary.

This publication does not purport to include all the necessary provisions of a contract. Users are responsible for its correct application.

© BSI 2011

ISBN 978 0 580 65612 5

ICS 53.060

Compliance with a British Standard cannot confer immunity from legal obligations.

This British Standard was published under the authority of the Standards Policy and Strategy Committee on 31 October 2011.

Amendments issued since publication

Date	Text affected
------	---------------

INTERNATIONAL STANDARD

BS ISO 2328:2011
ISO
2328

Fourth edition
2011-09-15

Fork-lift trucks — Hook-on type fork arms and fork arm carriages — Mounting dimensions

*Chariots élévateurs à fourche — Bras de fourche à tenons et tabliers
porte-fourches — Dimensions de montage*



Reference number
ISO 2328:2011(E)

© ISO 2011



COPYRIGHT PROTECTED DOCUMENT

© ISO 2011

All rights reserved. Unless otherwise specified, no part of this publication may be reproduced or utilized in any form or by any means, electronic or mechanical, including photocopying and microfilm, without permission in writing from either ISO at the address below or ISO's member body in the country of the requester.

ISO copyright office
Case postale 56 • CH-1211 Geneva 20
Tel. + 41 22 749 01 11
Fax + 41 22 749 09 47
E-mail copyright@iso.org
Web www.iso.org

Published in Switzerland

Foreword

ISO (the International Organization for Standardization) is a worldwide federation of national standards bodies (ISO member bodies). The work of preparing International Standards is normally carried out through ISO technical committees. Each member body interested in a subject for which a technical committee has been established has the right to be represented on that committee. International organizations, governmental and non-governmental, in liaison with ISO, also take part in the work. ISO collaborates closely with the International Electrotechnical Commission (IEC) on all matters of electrotechnical standardization.

International Standards are drafted in accordance with the rules given in the ISO/IEC Directives, Part 2.

The main task of technical committees is to prepare International Standards. Draft International Standards adopted by the technical committees are circulated to the member bodies for voting. Publication as an International Standard requires approval by at least 75 % of the member bodies casting a vote.

Attention is drawn to the possibility that some of the elements of this document may be the subject of patent rights. ISO shall not be held responsible for identifying any or all such patent rights.

ISO 2328 was prepared by Technical Committee ISO/TC 110, *Industrial trucks*, Subcommittee SC 2, *Safety of powered industrial trucks*.

This fourth edition cancels and replaces the third edition (ISO 2328:2007), which has been technically revised.

Fork-lift trucks — Hook-on type fork arms and fork arm carriages — Mounting dimensions

1 Scope

This International Standard specifies the dimensions of, and additional requirements for, fork carriers and hook-on type fork arms, to permit the interchangeability of these fork arms and/or other attachments, relative to the truck-rated capacity and fork arm type, on fork-lift trucks up to and including a rated capacity of 10 999 kg.

2 Normative references

The following referenced documents are indispensable for the application of this document. For dated references, only the edition cited applies. For undated references, the latest edition of the referenced document (including any amendments) applies.

ISO 2331, *Fork lift trucks — Hook-on type fork arms — Vocabulary*

ISO 3691-1, *Industrial trucks — Safety requirements and verification — Part 1: Self-propelled industrial trucks, other than driverless trucks, variable-reach trucks and burden-carrier trucks*

3 Terms and definitions

For the purposes of this document, the terms and definitions given in ISO 2331 and ISO 3691-1 apply.

4 Requirements

4.1 Dimensions

The mounting dimensions of the fork arms and fork carrier for type A (short drop) and type B (long drop) fork arms (the position of the lower hook determining the type of fork arm) shall be in accordance with Figures 1, 2 and 3 and Tables 1 and 2. The fork arm removal/mounting slot on the lower fork carrier is optional and shall be in accordance with 4.3. Fork arm location slots to the dimensions specified in Table 2 shall be provided at a suitable spacing on the fork carrier. In order to locate attachments, one slot shall be situated on the top edge of the fork carrier centreline. However, when an offset lower slot is provided to avoid unintentional disengagement, then the lower slot shall be offset from the fork carrier centreline by dimension w (see Figure 1); this slot shall be 3 mm deeper than k_2 (see Figure 3), to facilitate the attachment and fork arm mounting.

4.2 Stops

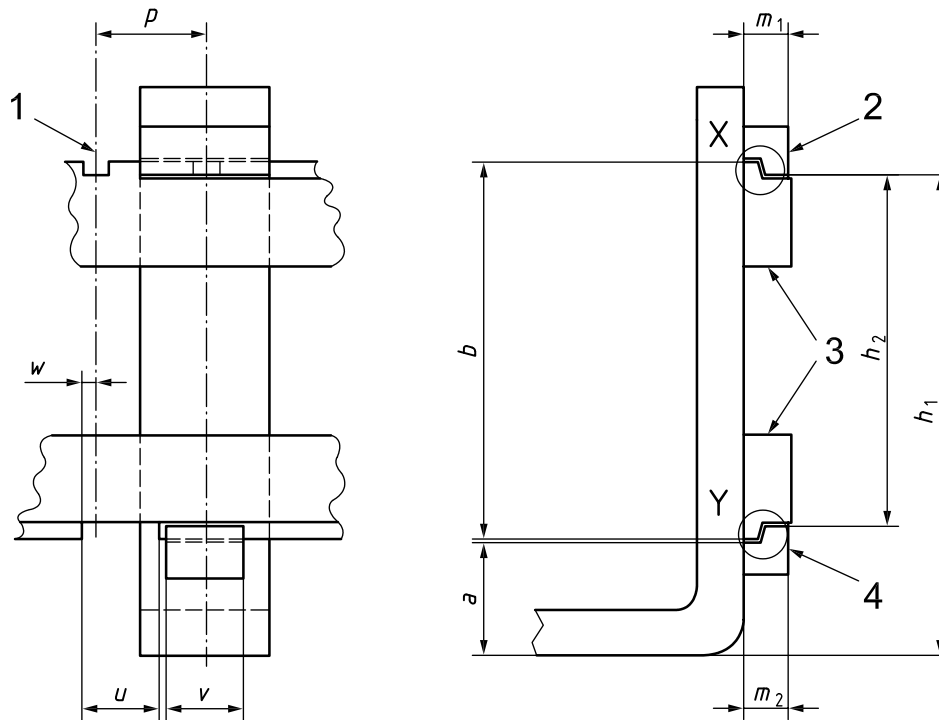
Stops shall be provided in order to prevent lateral disengagement of the fork arms from the extremities of the fork carrier. If these stops are not permanent, i.e. welded, then the instruction handbook shall contain warnings that the truck is not to be used if the stops are not correctly in place.

4.3 Slot on the lower carriage

If a fork arm removal/mounting slot is provided in the lower edge of the fork carrier, it shall be positioned as shown in Figure 3, that shown in the detailed view X–X being optional. If the positioning of the slots in the upper and lower fork carrier could enable the fork arm or attachment to become inadvertently disengaged from the carrier, then other means (e.g. mechanical) shall be provided to prevent this from occurring.

Where the exclusive means of preventing unintentional fork arm disengagement is by an offset lower slot, then the instruction handbook shall contain the following warning notice:

WARNING — If the fork/locking pin is not fully engaged, the fork could become unintentionally disengaged.



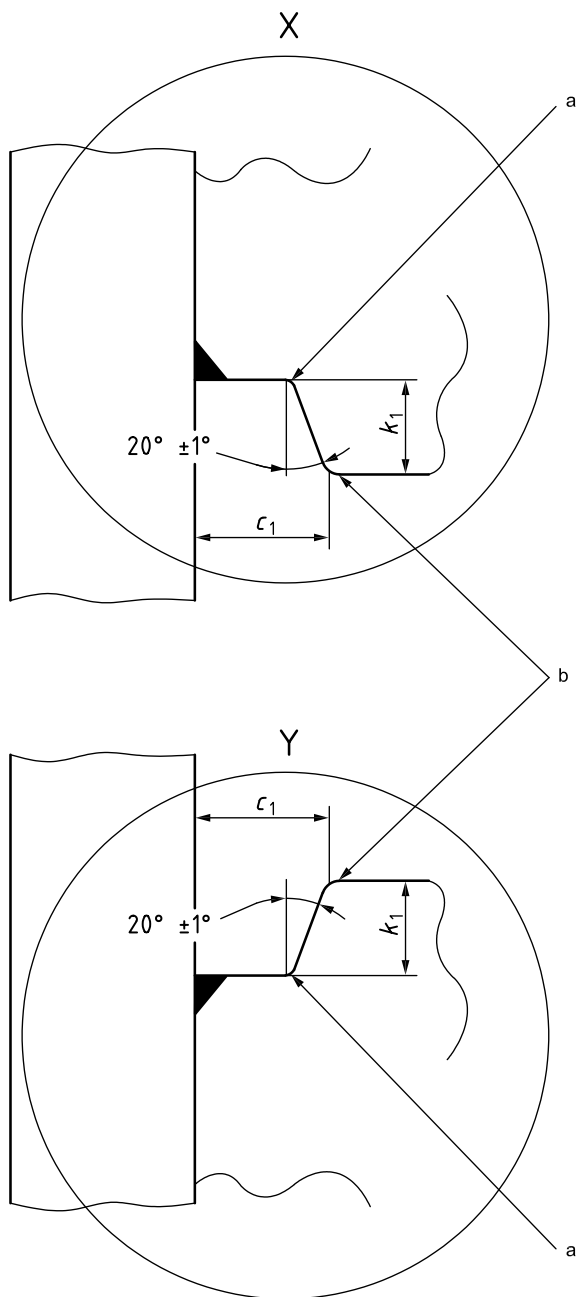
Key

- 1 carriage centreline
- 2 upper hook
- 3 fork carrier
- 4 lower hook

NOTE 1 For the values of the dimensions, see Tables 1 and 2.

NOTE 2 h_1 and h_2 are fork arm dimensions; a and b are fork carrier dimensions.

Figure 1 — Hook-on type fork arm mounted on fork carrier



Key

X detail of upper hook

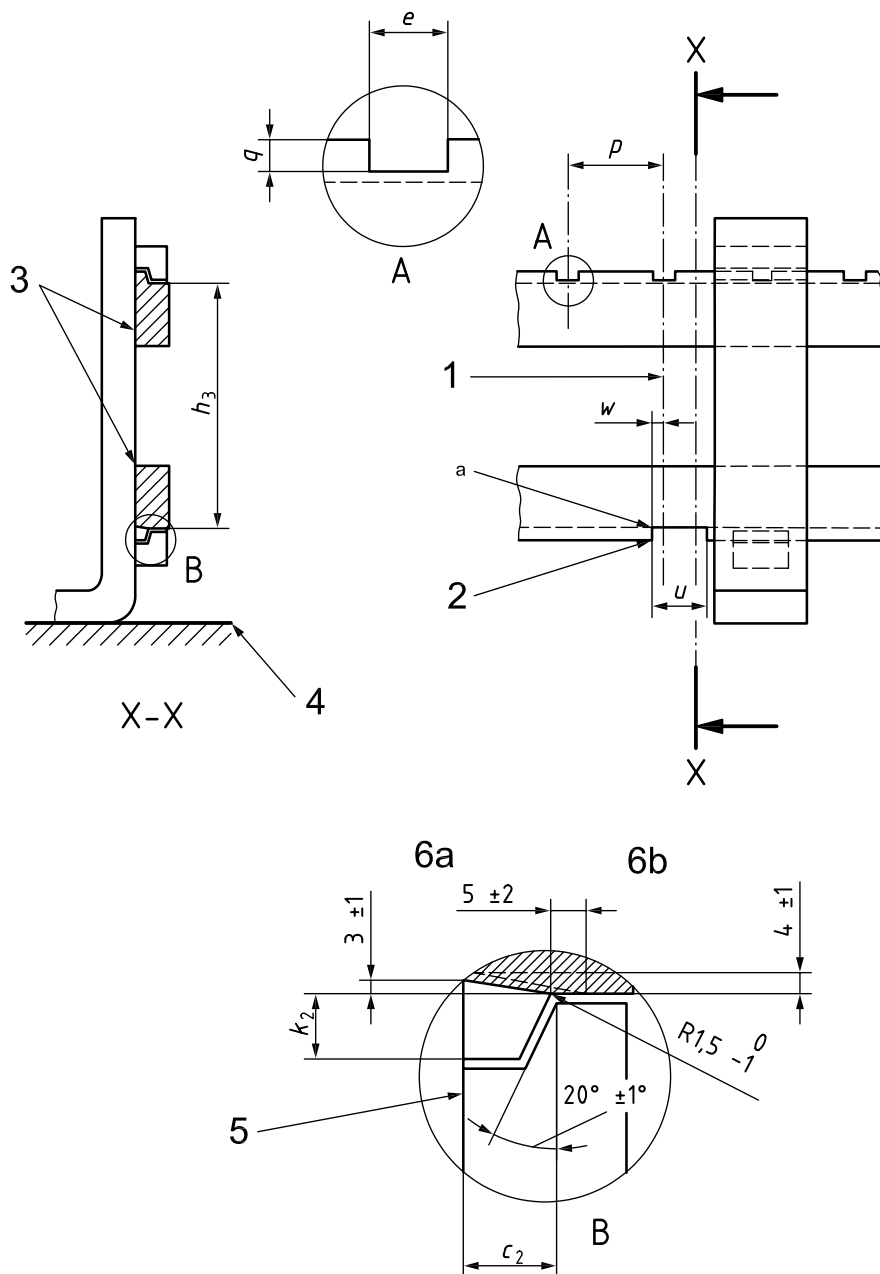
Y detail of lower hook

NOTE For the values of the dimensions, see Table 1.

a Upper and lower fork hooks may be rounded or chamfered for clearance (see Table 1).

b Maximum radius 1,0 mm.

Figure 2 — Fork arm hook detail



Key

- 1 carriage centreline
- 2 slot on right side when looking at front face of the fork arm carrier
- 3 hook-on type fork arm carrier
- 4 bottom of fork arm (ground level)
- 5 lower hook of fork arm or attachment lug
- 6a optional front slope for ease of attachment mounting
- 6b optional front square cut-out for ease of attachment mounting

NOTE For the values of the dimensions, see Tables 1 and 2.

^a Maximum radius 5 mm.

Figure 3 — Hook-on type fork arm carrier

Table 1 — Mounting dimensions of hook-on type fork arms

Dimensions in millimetres

Truck rated capacity at rated distance of centre load		Fork arm type	<i>a</i>	<i>c</i> ₁	<i>h</i> ₁	<i>h</i> ₂		<i>m</i> ₁	<i>m</i> ₂	<i>k</i> ₁	Lower hook <i>v</i>
Class	kg/mm					ref.	tol.				
1	Up to 999/400 and 600 ^a	A	76	16,5	394	306	+1,0 0	28	26	14	90
		B	114		432						
2	1 000 to 2 500/500 and 600 ^b	A	76	16,5	470	382	+1,0 0	31	29	14	90
		B	152		546						
3	2 501 to 4 999/500 and 600 ^b	A	76	22	568	477	+1,5 0	40	38	17	115
		B	203		695						
4	5 000 to 8 000/600	A	127	26	743	598	+1,5 0	47	45	20	139
		B	254		870						
5	8 001 to 10 999/600	A	127	35	830	680	+1,5 0	65	63	26	164
		B	257		960						

^a 600 mm is used in the USA.
^b 600 mm is used in the USA, Asia and Australia.

Table 2 — Mounting dimensions of fork carriers

Dimensions in millimetres

Truck rated capacity at rated distance of centre load		Fork arm type	<i>a</i>	<i>b</i>	<i>c</i> ₂	<i>e</i>	<i>h</i> ₃		<i>k</i> ₂	<i>q</i> ^a	Lower slot <i>u</i>	Slot offset from	<i>p</i>
Class	kg/mm						ref.	ref.					
1	Up to 999/400 and 600 ^b	A	76	331	16	16	305	0 -1,0	13	8	95	13	160
		B	114										
2	1 000 to 2 500/500 and 600 ^c	A	76	407	16	16	381	0 -1,0	13	8	95	13	160
		B	152										
3	2 501 to 4 999/500 and 600 ^c	A	76	508	21,5	19	476	0 -1,5	16	10	120	20	160
		B	203										
4	5 000 to 8 000/600	A	127	635	25,5	19	597	0 -1,5	19	12	145	27,5	160
		B	254										
5	8 001 to 10 999/600	A	127	728	34	25	678	0 -1,5	25	16	171	30	160
		B	257										

^a The centre slot shall be 3 mm deeper to facilitate attachment and fork arm mounting.
^b 600 mm is used in the USA.
^c 600 mm is used in the USA, Asia and Australia.

ICS 53.060

Price based on 5 pages

British Standards Institution (BSI)

BSI is the national body responsible for preparing British Standards and other standards-related publications, information and services.

BSI is incorporated by Royal Charter. British Standards and other standardization products are published by BSI Standards Limited.

About us

We bring together business, industry, government, consumers, innovators and others to shape their combined experience and expertise into standards-based solutions.

The knowledge embodied in our standards has been carefully assembled in a dependable format and refined through our open consultation process. Organizations of all sizes and across all sectors choose standards to help them achieve their goals.

Information on standards

We can provide you with the knowledge that your organization needs to succeed. Find out more about British Standards by visiting our website at bsigroup.com/standards or contacting our Customer Services team or Knowledge Centre.

Buying standards

You can buy and download PDF versions of BSI publications, including British and adopted European and international standards, through our website at bsigroup.com/shop, where hard copies can also be purchased.

If you need international and foreign standards from other Standards Development Organizations, hard copies can be ordered from our Customer Services team.

Subscriptions

Our range of subscription services are designed to make using standards easier for you. For further information on our subscription products go to bsigroup.com/subscriptions.

With **British Standards Online (BSOL)** you'll have instant access to over 55,000 British and adopted European and international standards from your desktop. It's available 24/7 and is refreshed daily so you'll always be up to date.

You can keep in touch with standards developments and receive substantial discounts on the purchase price of standards, both in single copy and subscription format, by becoming a **BSI Subscribing Member**.

PLUS is an updating service exclusive to BSI Subscribing Members. You will automatically receive the latest hard copy of your standards when they're revised or replaced.

To find out more about becoming a BSI Subscribing Member and the benefits of membership, please visit bsigroup.com/shop.

With a **Multi-User Network Licence (MUNL)** you are able to host standards publications on your intranet. Licences can cover as few or as many users as you wish. With updates supplied as soon as they're available, you can be sure your documentation is current. For further information, email bsmusales@bsigroup.com.

BSI Group Headquarters

389 Chiswick High Road London W4 4AL UK

Revisions

Our British Standards and other publications are updated by amendment or revision.

We continually improve the quality of our products and services to benefit your business. If you find an inaccuracy or ambiguity within a British Standard or other BSI publication please inform the Knowledge Centre.

Copyright

All the data, software and documentation set out in all British Standards and other BSI publications are the property of and copyrighted by BSI, or some person or entity that owns copyright in the information used (such as the international standardization bodies) and has formally licensed such information to BSI for commercial publication and use. Except as permitted under the Copyright, Designs and Patents Act 1988 no extract may be reproduced, stored in a retrieval system or transmitted in any form or by any means – electronic, photocopying, recording or otherwise – without prior written permission from BSI. Details and advice can be obtained from the Copyright & Licensing Department.

Useful Contacts:

Customer Services

Tel: +44 845 086 9001

Email (orders): orders@bsigroup.com

Email (enquiries): cservices@bsigroup.com

Subscriptions

Tel: +44 845 086 9001

Email: subscriptions@bsigroup.com

Knowledge Centre

Tel: +44 20 8996 7004

Email: knowledgecentre@bsigroup.com

Copyright & Licensing

Tel: +44 20 8996 7070

Email: copyright@bsigroup.com



...making excellence a habit.™