

Mechanical vibration and shock — Resilient mounting systems —

**Part 1: Technical information to be
exchanged for the application of
isolation systems**

ICS 17.160

National foreword

This British Standard reproduces verbatim ISO 2017-1:2005 and implements it as the UK national standard. It supersedes BS 6414:1983 which is withdrawn.

The UK participation in its preparation was entrusted by Technical Committee GME/21, Mechanical vibration and shock, to Subcommittee GME/21/5, Vibration of machines, which has the responsibility to:

- aid enquirers to understand the text;
- present to the responsible international/European committee any enquiries on the interpretation, or proposals for change, and keep the UK interests informed;
- monitor related international and European developments and promulgate them in the UK.

A list of organizations represented on this subcommittee can be obtained on request to its secretary.

Cross-references

The British Standards which implement international publications referred to in this document may be found in the *BSI Catalogue* under the section entitled “International Standards Correspondence Index”, or by using the “Search” facility of the *BSI Electronic Catalogue* or of British Standards Online.

This publication does not purport to include all the necessary provisions of a contract. Users are responsible for its correct application.

Compliance with a British Standard does not of itself confer immunity from legal obligations.

Summary of pages

This document comprises a front cover, an inside front cover, the ISO title page, pages ii to v, a blank page, pages 1 to 17 and a back cover.

The BSI copyright notice displayed in this document indicates when the document was last issued.

Amendments issued since publication

| Amd. No. | Date | Comments |
|----------|------|----------|
| | | |
| | | |
| | | |
| | | |

This British Standard was published under the authority of the Standards Policy and Strategy Committee on 23 February 2005

© BSI 23 February 2005

ISBN 0 580 45548 3

INTERNATIONAL STANDARD

ISO
2017-1

First edition
2005-02-01

Mechanical vibration and shock — Resilient mounting systems —

Part 1:

Technical information to be exchanged for the application of isolation systems

Vibrations et chocs mécaniques — Systèmes de montage résilients —

*Partie 1: Informations techniques à échanger pour l'application
des systèmes d'isolation*



Reference number
ISO 2017-1:2005(E)

Contents

Page

| | |
|---|----|
| Foreword..... | iv |
| Introduction | v |
| 1 Scope..... | 1 |
| 2 Normative references | 1 |
| 3 Terms and definitions..... | 2 |
| 4 Purpose of vibration isolation (why isolate mechanical systems) | 2 |
| 5 What is to be isolated | 3 |
| 5.1 Source isolation | 3 |
| 5.2 Receiver isolation | 3 |
| 6 Applicability of vibration isolation (when to isolate structures or mechanical systems) | 3 |
| 7 Measurement and evaluation of vibration conditions..... | 4 |
| 8 Information for the choice of an isolation mounting system | 4 |
| 9 Information to be supplied by the producer of the source or receiver | 4 |
| 9.1 General | 4 |
| 9.2 Information to be supplied by the source producer..... | 5 |
| 9.3 Information to be supplied by the receiver producer..... | 6 |
| 10 Information to be supplied by the customer..... | 7 |
| 10.1 Information to be supplied by the user of the source..... | 7 |
| 10.2 Information to be supplied by the user of the receiver..... | 8 |
| 11 Information to be provided by the supplier of the isolation system | 8 |
| 11.1 Physical data of the isolation system | 8 |
| 11.2 Dynamic behaviour..... | 9 |
| 11.3 Durability..... | 9 |
| 11.4 Environmental data..... | 9 |
| 11.5 Maintenance data | 10 |
| 12 Guidelines for the validation of isolation performance | 10 |
| Annex A (informative) Elements for vibration isolation | 11 |
| Bibliography | 17 |

Foreword

ISO (the International Organization for Standardization) is a worldwide federation of national standards bodies (ISO member bodies). The work of preparing International Standards is normally carried out through ISO technical committees. Each member body interested in a subject for which a technical committee has been established has the right to be represented on that committee. International organizations, governmental and non-governmental, in liaison with ISO, also take part in the work. ISO collaborates closely with the International Electrotechnical Commission (IEC) on all matters of electrotechnical standardization.

International Standards are drafted in accordance with the rules given in the ISO/IEC Directives, Part 2.

The main task of technical committees is to prepare International Standards. Draft International Standards adopted by the technical committees are circulated to the member bodies for voting. Publication as an International Standard requires approval by at least 75 % of the member bodies casting a vote.

Attention is drawn to the possibility that some of the elements of this document may be the subject of patent rights. ISO shall not be held responsible for identifying any or all such patent rights.

ISO 2017-1 was prepared by Technical Committee ISO/TC 108, *Mechanical vibration and shock*.

This first edition of ISO 2017-1, together with ISO 2017-2, cancels and replaces ISO 2017:1982, which has been technically revised.

ISO 2017 consists of the following parts, under the general title *Mechanical vibration and shock — Resilient mounting systems*:

- *Part 1: Technical information to be exchanged for the application of isolation systems*
- *Part 2: Technical information to be exchanged for the application of vibration isolation associated with railway systems*

Introduction

This International Standard is limited to the consideration of resilient devices.

Some suppliers of shock and vibration isolators (resilient mounts) have experience covering a wide variety of applications. In most instances, they are willing to use this background information for solving the user's problems with isolators. However, it is frequently difficult for the supplier to provide this service, because the customer, the user or the producer of the vibration source or receiver has not furnished sufficient information regarding the application.

On the other hand, the user is sometimes handicapped in applying isolators properly because the supplier does not furnish sufficient technical information. Consequently, the users must conduct their own experimental evaluation of the isolator and may unknowingly duplicate work already carried out by the supplier.

With some vibration sources or receivers, the producer provides the isolating system. To do that, the producer needs all the information from the customer relating to the future application, site and environment.

This International Standard is intended to serve as guide for the exchange of technical information between the customer, the supplier of resilient devices, and the producer of vibration sources or receivers, as required for their proper application.

Mechanical vibration and shock — Resilient mounting systems —

Part 1: Technical information to be exchanged for the application of isolation systems

1 Scope

This part of ISO 2017 establishes requirements to ensure the appropriate exchange of information between users, manufacturers and suppliers of vibration sources and receivers regarding the application of isolation systems. The sources and the receivers can be machines, structures, people or sensitive equipment subjected to vibrations and shocks generated by machines, railways, road traffic and other external and internal sources where the vibrations are usually transmitted through the ground to a building.

This part of ISO 2017 is applicable to the use of new products (source or receiver), and can also be applied to previously installed products when the user wishes to solve a newly arisen vibration problem.

It is not to be considered as a manual for the design or installation of an isolation system. Examples of elements of vibration isolation are shown in Annex A, for information only.

This part of ISO 2017 is intended to provide appropriate responses to questions highlighted by the producer and users (e.g. why, what, when and how to isolate mechanical systems).

2 Normative references

The following normative documents are indispensable for the application of this document. For dated references only the edition cited applies. For undated references, the latest edition of the referenced document (including any amendments) applies.

ISO 2041:1990, *Vibration and shock — Vocabulary*

ISO 9688:1990, *Mechanical vibration and shock — Analytical methods of assessing shock resistance of mechanical systems — Information exchange between suppliers and users of analyses*

ISO 10846-4:2003, *Acoustics and vibration — Laboratory measurement of vibro-acoustic transfer properties of resilient elements — Part 4: Dynamic stiffness of elements other than resilient supports for translatory motion*

3 Terms and definitions

For the purposes of this document, the terms and definitions given in ISO 2041, ISO 9688 and ISO 10846-4 and the following apply.

3.1 resilient device
flexible element or system used between an equipment item and its supporting structure to attenuate the transmission of shock or vibration from the equipment to the structure or from the structure to the equipment

3.2 vibration source
simple or multiple solid, liquid or gaseous body causing vibration in its environment

NOTE This covers sources such as machinery, traffic, explosions, wave loading and wind loading.

3.3 vibration receiver
all structures or elements of structures responding to vibration energy emitted by an internal or external source

3.4 customer
user or purchaser of a product (building, machine, etc.)

3.5 producer
party constructing or manufacturing a product that needs to be isolated from internal or external vibration

3.6 isolation supplier
party responsible for providing and installing an isolation system which will meet the requirements to reduce vibration as agreed upon with the customer

NOTE 1 In certain cases, the producer and the supplier may be the same party.

NOTE 2 The customer, the producer or the supplier may each mandate subcontractors to execute the work or to purchase elements. From a legal point of view, all three remain responsible in the case of failure of the project.

4 Purpose of vibration isolation (why isolate mechanical systems)

The purpose of vibration isolation is to protect people and mechanical systems from vibrations and shocks by taking action on the source or the receiver of the vibration. The purpose may include assurance of the following:

- a) the safety of the industrial building containing the vibrating equipment itself;
- b) the safety and comfort of the operators of the vibrating machine;
- c) the safety and comfort of bystanders near the vibrating machine;
- d) the security of a building located close to a source of vibration, such as an industrial plant or railway;
- e) the comfort of people in temporary or permanent habitations that may be subject to vibration excitation;
- f) the security of sensitive equipment in buildings;
- g) the correct operation of the isolated equipment;
- h) meeting regulatory requirements.

5 What is to be isolated

5.1 Source isolation

The purpose in this case is the protection of the environment in the vicinity of a vibrating source by modifying the input at the source level. This may include

- a) isolation of the machine emitting vibrations,
- b) isolation of the rail track and surrounding subsystems, such as the soil systems for new and existing railways, and
- c) isolation of the road embankment and viaducts for highways and removal (suppression) of irregularities.

5.2 Receiver isolation

Where source isolation is impossible or impractical (i.e. environmental sources), as for railways or road traffic, or where source isolation has proved unsatisfactory, receiver isolation is applied. Sometimes it is an economical compromise. It may include applying isolation to

- a) a machine operator's workstation,
- b) a new building or elements of the building in the neighbourhood of a railway, tunnel, or heavy traffic roadway,
- c) a sensitive building (concert halls, laboratories, or sensitive installations),
- d) the support of sensitive equipment (laser tables, computer discs, electronic microscopes, etc.), and
- e) isolation from environmental sources.

6 Applicability of vibration isolation (when to isolate structures or mechanical systems)

A vibration isolation system may be used additionally to design measures for reducing vibration. It shall not be substituted for such measures, but it may be applied as follows:

- a) when vibrating machines are designed or installed;
- b) when constructions, installations or buildings containing vibrating machines are designed or modified;
- c) when vibrating sources are displaced or modified;
- d) when structure-borne noises occur;
- e) when designing and constructing buildings, especially sensitive ones in the neighbourhood of railways or high-traffic roads;
- f) when designing or ordering sensitive equipment;
- g) when receiving complaints from people working or living in the area of vibration sources;
- h) when the limiting values specified in legislation for vibration are exceeded.

7 Measurement and evaluation of vibration conditions

In order to choose the correct isolation mounting system, it is necessary to make prior measurement and evaluation of vibration in the site.

Measurements shall be made under the environmental conditions relevant for the location of the source or receiver. The measurements and analysis should help to provide an understanding of the origin of the problem and possibly give an indication of the solutions. Measurements shall be made in accordance with an appropriate standard and this standard shall be identified.

The measuring position shall be defined in a contract, and the mounting points of transducers and the directions of measurements shall be reported.

These measurements shall include time history monitoring over a sufficiently long period to cover the working cycle of the source of vibration.

For source measurements, analysis of frequency responses for the structures that transmit and receive vibration will help to avoid coincidence between dominant frequencies of the source and the natural frequencies of these structures.

For receiver measurements, determination of the background vibration shall be carried out in order to know the inherent level below which no solution is normally necessary.

8 Information for the choice of an isolation mounting system

In order to select appropriate isolators and to correctly fit the isolation, an exchange of information is needed between the producer, the supplier of the isolator and the customer. Clause 9 lists the information required for optimized isolation. If the source or receiver producer is also the supplier of the isolation system, some of the information requested may seem to be not relevant. Nevertheless, this information may be useful when replacement parts have to be provided and should be part of the instruction handbook.

The choice of the isolation system shall take into consideration not only the static characteristics of the isolated structure, but also its dynamic characteristics and the dynamic characteristics of its surrounding structure (and other sources).

It will often be necessary for the supplier of a vibration isolation system to ask for more detailed information from the user in order to provide the best possible solution.

The information is different in the case of source or receiver isolation.

In every case, the people concerned are

- the producer (of the source or receiver),
- the supplier of the isolation, and
- the customer of the source or receiver.

9 Information to be supplied by the producer of the source or receiver

9.1 General

The manufacturer shall supply to the user as much of the information listed in 9.2 and 9.3 as is needed to ensure proper installation. If necessary, the manufacturer should obtain information from the supplier of the vibration isolation system.

The main vibration sources to be considered in this part of ISO 2017 are machines.

9.2 Information to be supplied by the source producer

9.2.1 Machine drawing

A drawing shall be furnished giving the following:

- a) the outline and installation of the machine, if appropriate, including an intermediate foundation specified by the machine manufacturer;
- b) the overall dimensions;
- c) the total mass and the location of the centre of gravity (rotational inertia shall also be included);
- d) specifications of bolt sizes and special connectors for securing the machine; the locations of attachments, tapped holes, tolerances, and any special material considerations shall be indicated on the drawing;
- e) identification and direction of the three mutually orthogonal axes of origin in the centre of gravity of the unit to be isolated under conditions of preferred orientation;
- f) the normal machine orientation with respect to the vertical axis; the direction of the major shock or vibration shall be indicated;
- g) feasible structural attachment points (these points frequently determine the isolation system in relation to orientation, centre of gravity, etc.);
- h) the structure and dimensions of the supporting surface of the mechanism, with indication of the connection of this surface to the mechanism body.

9.2.2 Vibration excitation

The vibration excitation by a machine as characterized by its exciting forces and couples as a function of frequency, or in the form of a time history, shall be described in the detail necessary to ensure the safe installation and use of the machinery.

Examples include the following:

- a) rotational frequency forces and couples;
- b) forces and couples caused by reciprocating masses;
- c) torque reaction couples;
- d) amplitudes and/or frequencies of fluid pulsation phenomena;
- e) frequencies of aerodynamic phenomena (e.g. for fans);
- f) electromagnetic forces and frequencies associated with electrical rotating machines or transformers;
- g) dynamic characteristics of the isolation system on which the mechanism has been tested;
- h) distribution of vibration (in three directions) over the surface of the mechanism mounting and where electric cables and pipes may be mounted;
- i) factors ensuring that the isolation system does not introduce specific vibration levels that are detrimental to the machine.

9.2.3 Special requirements

Special features peculiar to the equipment shall be covered in the machine description and by drawings. Examples of such special features are as follows:

- a) electrical connectors, tubing, ducting or piping which might modify the mechanical response of the mounting system (type, size, stiffness, etc.);
- b) externally applied forces and moments;
- c) required access areas;
- d) minimum clearance required for cooling air flow; any temperature gradients which might adversely affect isolator operation shall be shown on the drawing and the expected temperature range shall be given;
- e) maximum clearance between the equipment and the foundation, where applicable;
- f) alignment requirements for shafts.

9.2.4 Electrical features

Provisions for grounding and applicable specifications shall be indicated in a note on the drawing.

9.2.5 Special requirements for mechanical stability

Special requirements for mechanical stability shall be given. For example, special care is needed where equipment with a high or variable centre of gravity is supported by isolators located below the centre of gravity, or where uncompensated side thrusts exist.

9.3 Information to be supplied by the receiver producer

9.3.1 Building

The designer and constructor of the building shall supply the following information to the supplier of the isolation system:

- a) a drawing of the structure detailing the nature, dimensions and the position of the bearing elements (steel, concrete, combined);
- b) category of the foundation expected to be used (shallow, deep);
- c) position of the foundation in relation to tunnels or traffic roads;
- d) position of any underground water table;
- e) function of the future building (offices, laboratories, habitation, manufacturing of particular equipment);
- f) maximum admissible vibration level for equipment to be used in the building.

9.3.2 Sensitive equipment

The producer of sensitive equipment shall supply the following information about the equipment to help the user to choose the proper location and set up of the equipment:

- a) overall dimensions;
- b) total mass and the position of the centre of gravity;

- c) feasible structure attachment points (three points frequently determine the isolation system);
- d) acceptable vibration level measured at the base of the equipment;
- e) any particular natural frequency to be avoided at the equipment base.

9.3.3 Vehicles

The designer of a vehicle shall supply the following information to the manufacturer of seats or secondary elements (partitions, doors, etc.) and furniture in the case of boats:

- a) motor and transmission characteristics as well as intermediate systems, such as torque converters and clutch systems;
- b) dominant frequency and frequency range of the rotating systems;
- c) natural frequency of the suspension systems;
- d) expected road and sea state characteristics for each vehicle category (e.g. private, agriculture, road and construction engines, boat);
- e) maximum permissible level of vibration for the user of the vehicle;
- f) maximum permissible structure-borne sound (re-radiated) to be perceived by the user for each zone of the vehicle.

10 Information to be supplied by the customer

10.1 Information to be supplied by the user of the source

10.1.1 Technical information on the surrounding structure of the machine

A brief description, sufficient for understanding the technical details of the proposed arrangement, shall be provided. The following information should be included:

- a) type of structure in which the machine is to be mounted (e.g. ship, steel building, concrete building, power plant) and its dynamic characteristics (e.g. resonance frequency, modes, damping);
- b) location in the structure (e.g. engine room, main deck, roof);
- c) data on the supporting structure (ground conditions, such as the permissible load of the ground, ground water level versus floor, natural frequencies, and input mechanical impedance of the supporting structure);
- d) isolation criteria or user's criteria for acceptance (neighbourhood, such as residential area, industrial area; type of neighbouring machines, such as testing machines, punching machines);
- e) possible seismic activity level.

10.1.2 Vibration and shock evaluation of the surrounding structure

The vibration and shock evaluation of the surrounding structure before the installation of the machine shall be described with respect to the three axes in terms of the magnitude (displacement, velocity, or acceleration), corresponding frequencies, and the duration over which this will occur. Time history, spectral analysis and other descriptive parameters shall be included.

10.1.3 Environment

The user shall supply, as applicable, the following information on the climatic environment:

- a) upper and lower temperature limits;
- b) humidity, presence of water, sand or dust, salt spray, ozone, oils, solvents, radiation, etc.

10.2 Information to be supplied by the user of the receiver

Existing buildings are the main receivers of vibration, but it is often economically impractical to isolate the building except for certain important projects where the cost is deemed acceptable. In this case, only the substructure isolation ("box in the box") technique may be applied.

The receiver isolation mainly concerns sensitive equipment or machine operator work stations. The isolation system may be designated by the producer or by the supplier of isolation according to user's demand.

A brief description, sufficient for a complete understanding of the technical details of the proposed system, shall be provided. The following information should be included:

- a) type of equipment to be isolated;
- b) type of structure in which the equipment is mounted;
- c) location of the equipment in the structure;
- d) data on the supporting structure (e.g. natural frequencies, dynamic stiffness, coupling with the vibration isolation system);
- e) criteria for acceptance of isolation efficiency;
- f) description of vibration conditions in the surrounding structure, with respect to the three orthogonal axes, by amplitude, frequencies and duration;
- g) information on environmental condition (e.g. temperature, humidity).

11 Information to be provided by the supplier of the isolation system

11.1 Physical data of the isolation system

The supplier of the isolation system shall provide the following detailed information on the characteristics of the isolation system:

- a) type of isolation system;
- b) materials of the isolation system;
- c) mass of the isolation system;
- d) levelling features;
- e) static stiffness of isolators;
- f) maximum and minimum weight forces (expressed in newtons) under the operation conditions of the machine;

- g) dimensions, structure, mass, location and orientation of the isolation system (e.g. drawing), including any intermediate structure;
- h) any creep of the isolators relative to load and time;
- i) special requirements for air-mounted systems;
- j) chemical-, sunlight- and oil-resistant isolator materials;
- k) maximum stress and strain relationships (nonlinear characteristics).

11.2 Dynamic behaviour

The supplier shall describe the translational and rotational dynamic behaviour of the isolation system in terms of dynamic stiffness. The environmental conditions and the rate of loading under which the load-deflection data were obtained shall be described and tolerances shall be given. However, where necessary, as an alternative the supplier may describe the dynamic behaviour by transmissibility characteristics measured in a test set-up that is fully described. Dynamic behaviour may be related to variations in the following input parameters:

- a) frequency response as a function of load;
- b) amplitude;
- c) temperature;
- d) damping: dynamic stiffness and damping for direction (for details of orientation and frequency range of interest, see ISO 10846-1, ISO 10846-2 and ISO 10846-3).

The supplier shall describe the performance of the isolation in the three principal directions, indicating applicable frequencies and internal resonance.

11.3 Durability

The supplier shall present information on the durability and anticipated changes in physical characteristics during the life of the material, such as the following:

- a) endurance limit associated with repeated deflections and shocks;
- b) creep (permanent deformation) data, where applicable, and how the data were obtained;
- c) ageing effects due to storage in specified environments, including maximum and minimum temperatures;
- d) maximum permissible displacement before restraint is required.

11.4 Environmental data

The supplier shall supply the following information on the isolators, as necessary to ensure proper use:

- a) upper and lower temperature limits beyond or below which the isolator under rated loads will not properly perform its function or will undergo permanent changes in characteristics;
- b) ability of the isolator to withstand corrosion or deterioration caused by such factors as humidity, water, salt spray, fungus, ozone, oils and fuels, corrosive vapours or sunshine;
- c) ability to perform under adverse conditions, for example, in an atmosphere loaded with sand or dust;
- d) permissible storage environment.

11.5 Maintenance data

The supplier shall supply details of any maintenance, periodical inspection and service requirements.

12 Guidelines for the validation of isolation performance

Normally, the supplier of isolated machines or the supplier of isolating systems has contractual or guarantee requirements to prove the performance of the vibration isolation after it is installed in the surrounding structure of the source or of the receiver itself. This performance shall be evaluated by an experimental method.

Where machines are made by mass production, such evaluation may be performed under nominal installation conditions, and that information may be used in qualifying the installed vibration performance. In such cases the manufacturer shall provide information on the installation conditions that have been used for the evaluation.

If relevant, the following requirements apply:

- a) measurement and evaluation of vibration shall be made by an independent party specialist before installation; it shall be performed in predetermined measurement locations and under the environmental operating conditions expected for the future machine;
- b) after installation, measurements shall be made at the same locations and conditions, using the measurement method specified and the specified processing and analysis of the results;
- c) measurement positions and the measurement results shall be reported;
- d) acceptable values shall be communicated to the machine supplier (or machine/isolator supplier);
- e) limit values accepted by the supplier shall be specified in the contract;
- f) values measured shall be compared with the contractual limit values.

In the case of correction of an existing situation, the measurements should be made under the same conditions as given in Clause 7 in defined positions. These positions should be the positions of the disturbed subjects (operator's or worker's positions, office floors, neighbouring building, etc.).

As in Clause 7, acceptable limit values should be defined contractually between the user and the supplier.

After correction, measurements should be carried out as described in Clause 7. The results should be compared to the contractual values.

In more complex situations, more detailed measurements will be required.

Annex A (informative)

Elements for vibration isolation

A.1 Object of this annex

This informative annex has the objective of helping the user to understand the different functions of isolation systems. It does not represent an exhaustive survey of isolation systems and should not be used as guidance for choice of an isolation system.

A.2 Springs

A.2.1 General

Springs are used to provide elastic vibration and shock isolating supports for machines; i.e. they are construction elements which deform, predominantly, elastically. Ideal springs cannot be realised in practice since each spring shows a certain amount of mass and damping. While for the calculation of vibration in the frequency range of interest in this part of ISO 2017, the mass of the spring may be ignored, the damping is strongly dependent on the spring material.

A.2.2 Elastomer springs

Because of its elastic deformability and its small Young's modulus, elastomers are appropriate materials for springs. Compared to metal springs, elastomer springs have larger material damping.

Deformation characteristics, such as stiffness and damping, depend on the choice of basic material and the components of the material mixture, as well as the shape of the spring. They are also affected by environmental conditions such as temperature. The long-term creeping depends strongly on the composition of the material. The material has viscoelastic properties.

Usually, the static and dynamic stiffnesses of elastomer springs are different; the dynamic stiffness is greater than the static. The natural frequencies of the isolated system should be calculated only from the dynamic stiffness. With elastomer springs, vertical natural frequencies can be between 6 Hz and 20 Hz.

In general, the load-deflection curve is nonlinear but, in practice, for operational loading it can be linearized.

The following factors are important for the load capacity and the durability of elastomer springs:

- a) materials, additions and hardness;
- b) design of the spring;
- c) static load and dynamic load;
- d) vibration amplitude and frequency of the vibrating system.

Because of their flexible design, connection with metal parts, and the wide range of possible material combinations, these springs may be adapted to a wide range of applications.

Elastomer springs may be used as single elements or as distributed plates or mats.

The detailed design of elastomer springs is determined by the type of loading (compression forces, shear forces, torsion moments, bending moments, or combinations thereof). Figure A.1 shows some examples of elastomer springs.

For large, distributed compression loads, elastomer springs in the form of plates or mats are common. The vertical natural frequencies are usually higher than 12 Hz for these installations.

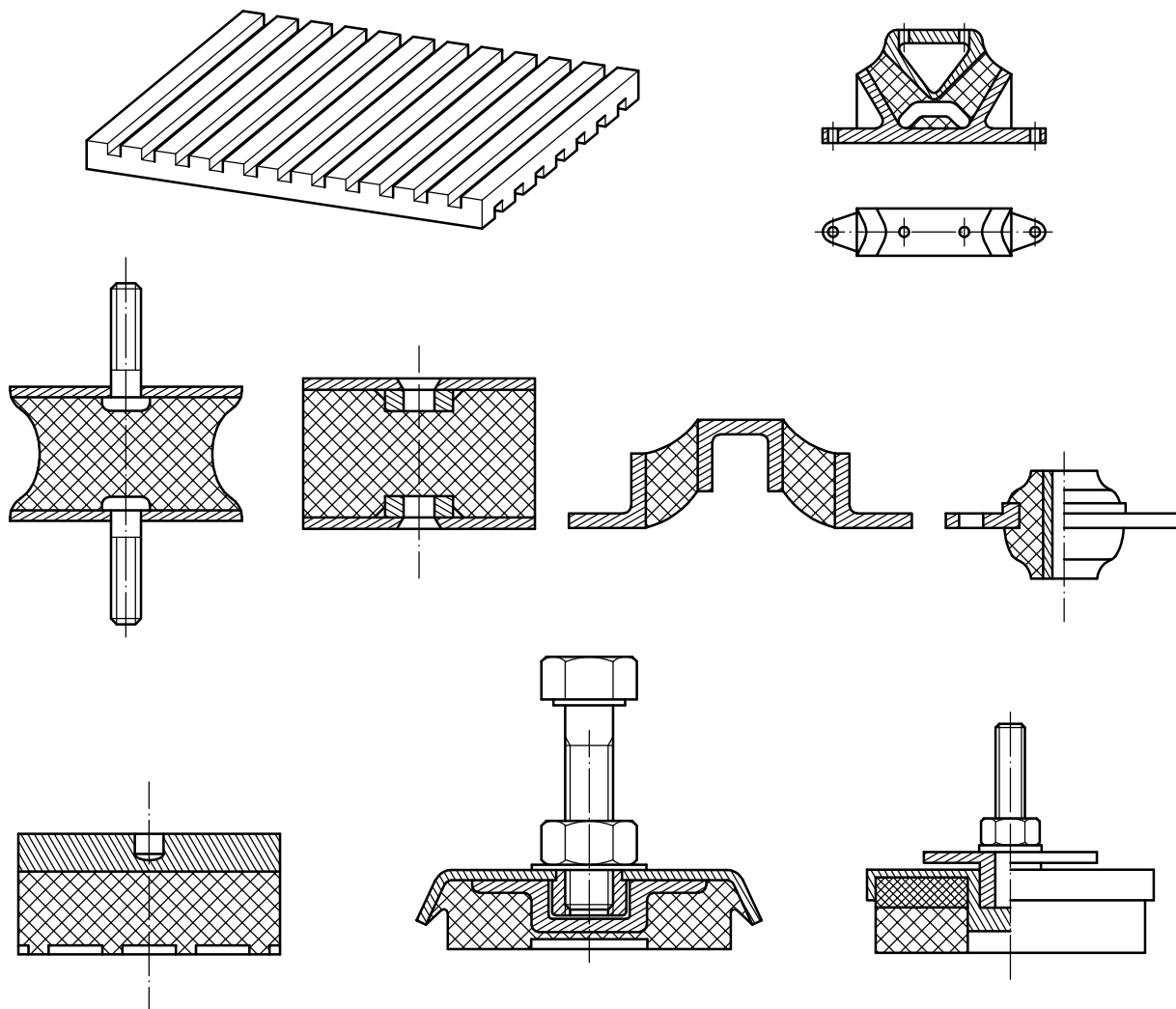


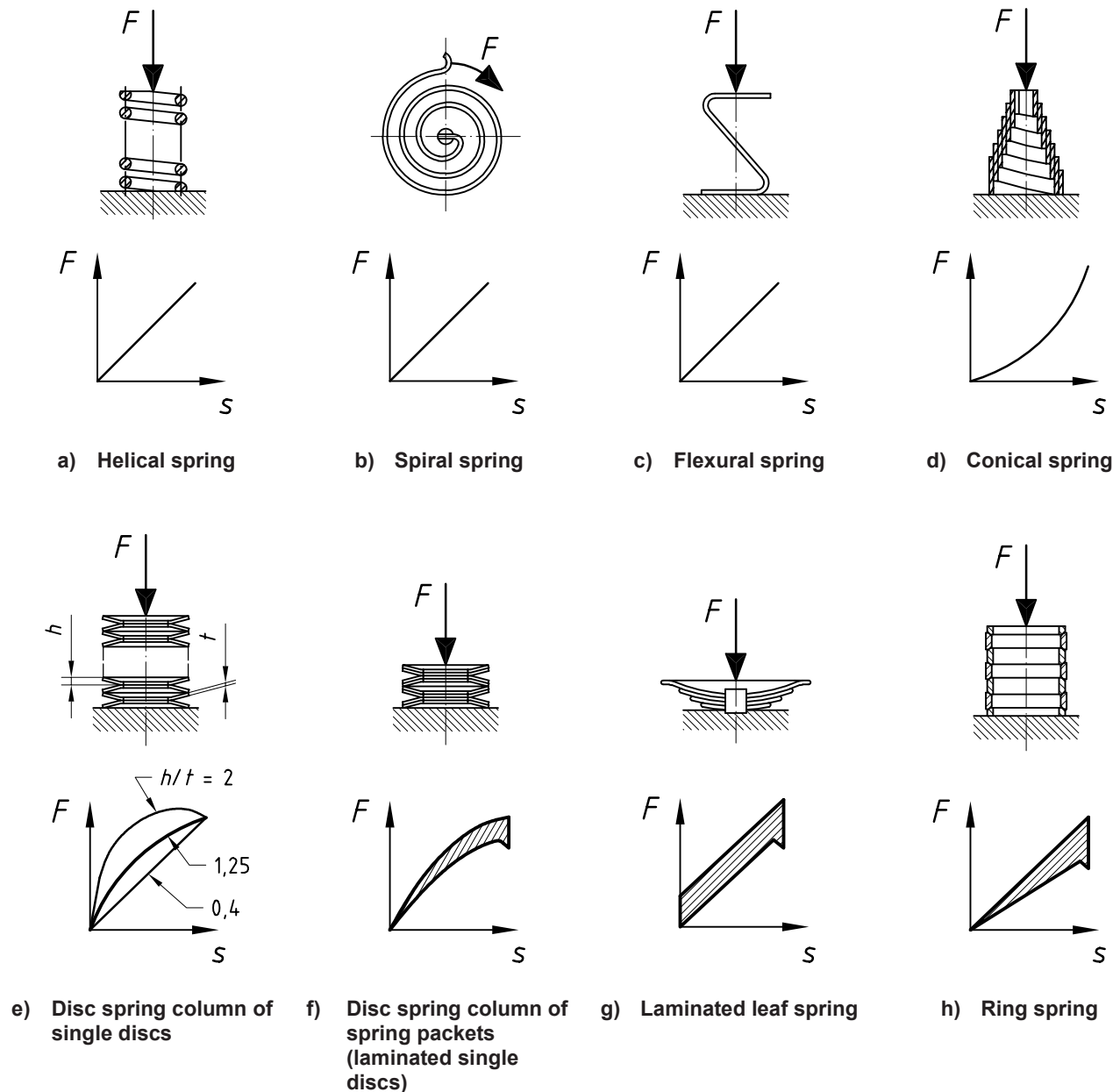
Figure A.1 — Examples of elastomer springs

A.2.3 Metal springs

Metal springs are not sensitive to large temperature differences and they are resistant to most organic substances.

For the vibration isolation of machines, it is preferable to use metal springs that are made especially for this purpose from spring steel in the form of wire strings, plates and rods. There is no significant difference between the static and dynamic stiffnesses of metal springs. Depending on the type and design of the spring, the load-deflection curve can be linear, progressive or digressive. With metal springs, vertical natural frequencies of 1,5 Hz to 8 Hz can be achieved. Metal springs have the ability to store high deformation energies at large deflection amplitudes. Their spring characteristics do not change with age.

Figure A.2 shows examples of different types of metal springs and their load-deflection curves.

**Key**

- F is the load
 s is the deflection in the direction of load
 h and t are dimensions

NOTE The hatched areas indicate hysteresis due to friction damping.

Figure A.2 — Metal springs and their load-deflection curves (characteristic)

The helical compression spring is the metal spring generally used for the vibration isolation of machines. Because of its largely linear characteristics over a wide deflection range (load-deflection curve) and the wide choice of spring stiffness available, for all axes, this type of spring is particularly well suited for application to the resilient mounting of machines of most types.

The transverse or horizontal spring constant of a helical compression spring can be varied over a wide range, relative to the vertical spring constant, by an appropriate choice of spring dimensions. Figure A.3 shows an example of a spring unit made of helical compression springs.

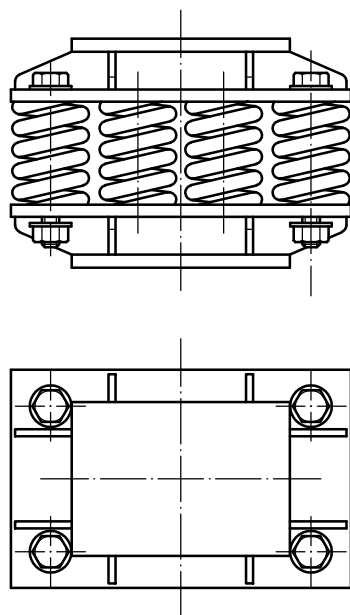


Figure A.3 — Typical spring unit made of helical compression springs

A.2.4 Air springs

In principle, an air spring consists of a closed gas-filled volume with elastic sides (see Figure A.4). When the load changes the spring deflects, by deflection of the elastic sides, causing a change of volume which results in a change of pressure. This applies to pistons in cylinders as well as to the various bellows designs that are manufactured. The deflection characteristics of air springs depend on the balance between the external load and the pressure difference between the internal pressure and external pressure (e.g. atmosphere) multiplied by the effective area depending on the internal gas used. The static and dynamic stiffnesses can be different.

For level control, air springs are supplied in non-controllable and controllable designs.

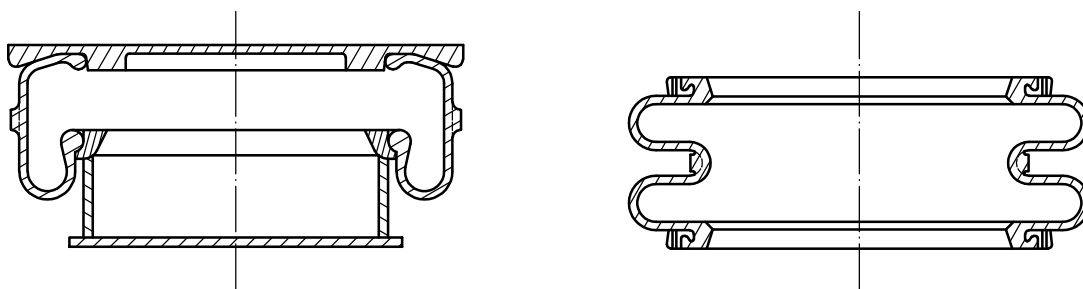


Figure A.4 — Examples of air springs

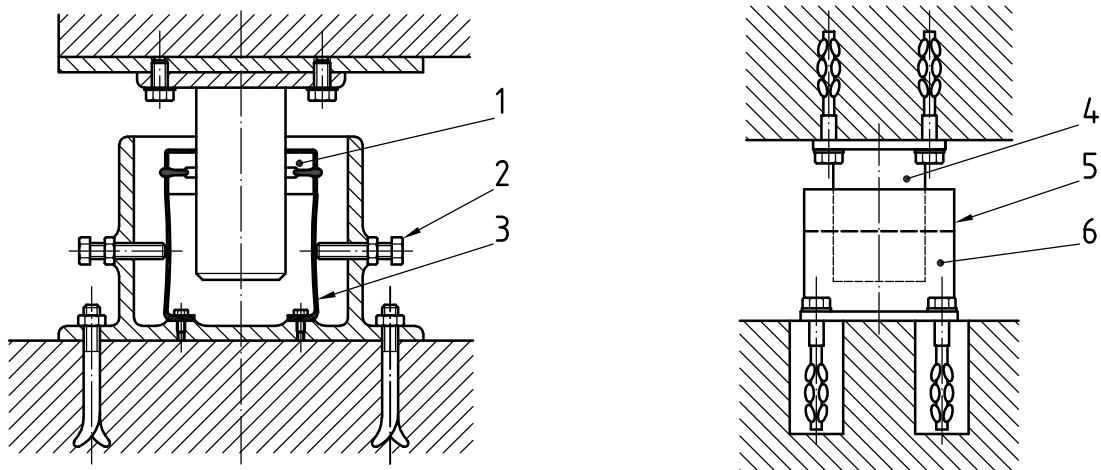
A.3 Dampers

Dampers are used to limit the movement of elastically supported systems while passing through resonance in the case of periodical excitation or in cases of shock or random excitation. They are mounted in parallel with the spring units and convert mechanical energy to heat.

They are divided into dampers which utilize damping between rigid bodies (friction dampers, see Figure A.5) and dampers which utilize energy exchange in liquid (liquid dampers, see Figure A.5) or gaseous media. The

force-velocity characteristics can be made independent of velocity, progressive, linear or digressive. Attention should be paid to the risk of structure-borne noise problems when using friction dampers.

The most important types of dampers for the vibration isolation of machines used in combination with spring units are liquid viscous dampers. Viscous dampers are particularly suitable for large vibration amplitudes at low to medium high frequencies. They consist of a damper casing, damping medium and piston. The piston immersed in the damping medium can move in all directions (vertical and horizontal) up to a limit set by the casing of the damper. The damper is, therefore, able to reduce vibration in all six degrees of freedom.



Key

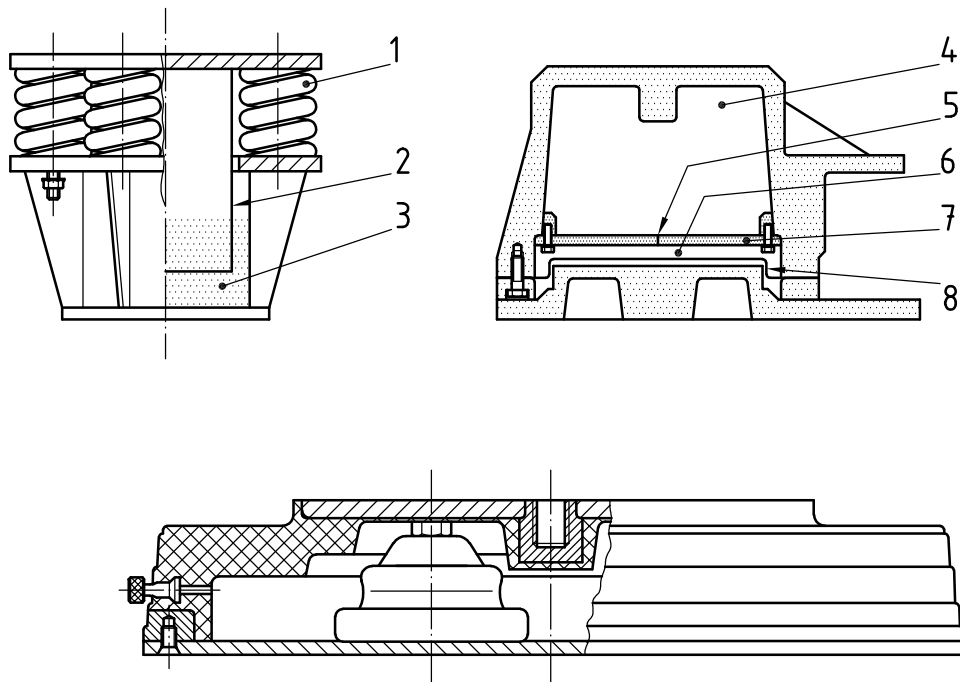
- | | | | |
|---|--------------------|---|---------------|
| 1 | friction lining | 4 | piston |
| 2 | adjustment screw | 5 | casing |
| 3 | compression spring | 6 | liquid medium |

Figure A.5 — Design of a friction and viscous damper

A.4 Combinations of springs and dampers

Damping, as an important part of the vibration isolation system, either in the form of material damping or in the form of integrated dampers (see Figure A.6), is required

- in all cases where an increase of vibration amplitude on passing through resonance frequencies must be avoided,
- for most rotating machines whose operating conditions could give rise to unbalance forces,
- for the absorption of short-circuit torque transients produced by electrical machines,
- for the stabilization of machines and systems which must be resiliently mounted on foundations of inadequate mass for technical or economical reasons, and
- to secure a rapid decay of shock-induced vibration.



Key

- | | |
|-----------------|-------------------|
| 1 spring | 5 drilling |
| 2 piston | 6 load volume |
| 3 liquid | 7 interface plate |
| 4 damper volume | 8 membrane |

Figure A.6 — Combination of springs and dampers

A.5 Active vibration isolators

This International Standard deals with passive vibration isolation systems only (consisting of springs and dampers). In special cases it may be possible to reduce vibration by using dynamic vibration absorbers or active tuned mass dampers.

Bibliography

- [1] ISO 10846-1, *Acoustics and vibration — Laboratory measurement of vibro-acoustic transfer properties of resilient elements — Part 1: Principles and guidelines*
- [2] ISO 10846-2, *Acoustics and vibration — Laboratory measurement of vibro-acoustic transfer properties of resilient elements — Part 2: Dynamic stiffness of elastic supports for translatory motion — Direct method*
- [3] ISO 10846-3, *Acoustics and vibration — Laboratory measurement of vibro-acoustic transfer properties of resilient elements — Part 3: Indirect method for determination of the dynamic stiffness of resilient supports for translatory motion*
- [4] EN 1299, *Mechanical vibration and shock — Vibration isolation of machines — Information for the application of source isolation*

BSI — British Standards Institution

BSI is the independent national body responsible for preparing British Standards. It presents the UK view on standards in Europe and at the international level. It is incorporated by Royal Charter.

Revisions

British Standards are updated by amendment or revision. Users of British Standards should make sure that they possess the latest amendments or editions.

It is the constant aim of BSI to improve the quality of our products and services. We would be grateful if anyone finding an inaccuracy or ambiguity while using this British Standard would inform the Secretary of the technical committee responsible, the identity of which can be found on the inside front cover.
Tel: +44 (0)20 8996 9000. Fax: +44 (0)20 8996 7400.

BSI offers members an individual updating service called PLUS which ensures that subscribers automatically receive the latest editions of standards.

Buying standards

Orders for all BSI, international and foreign standards publications should be addressed to Customer Services. Tel: +44 (0)20 8996 9001.
Fax: +44 (0)20 8996 7001. Email: orders@bsi-global.com. Standards are also available from the BSI website at <http://www.bsi-global.com>.

In response to orders for international standards, it is BSI policy to supply the BSI implementation of those that have been published as British Standards, unless otherwise requested.

Information on standards

BSI provides a wide range of information on national, European and international standards through its Library and its Technical Help to Exporters Service. Various BSI electronic information services are also available which give details on all its products and services. Contact the Information Centre.
Tel: +44 (0)20 8996 7111. Fax: +44 (0)20 8996 7048. Email: info@bsi-global.com.

Subscribing members of BSI are kept up to date with standards developments and receive substantial discounts on the purchase price of standards. For details of these and other benefits contact Membership Administration.
Tel: +44 (0)20 8996 7002. Fax: +44 (0)20 8996 7001.
Email: membership@bsi-global.com.

Information regarding online access to British Standards via British Standards Online can be found at <http://www.bsi-global.com/bsonline>.

Further information about BSI is available on the BSI website at <http://www.bsi-global.com>.

Copyright

Copyright subsists in all BSI publications. BSI also holds the copyright, in the UK, of the publications of the international standardization bodies. Except as permitted under the Copyright, Designs and Patents Act 1988 no extract may be reproduced, stored in a retrieval system or transmitted in any form or by any means – electronic, photocopying, recording or otherwise – without prior written permission from BSI.

This does not preclude the free use, in the course of implementing the standard, of necessary details such as symbols, and size, type or grade designations. If these details are to be used for any other purpose than implementation then the prior written permission of BSI must be obtained.

Details and advice can be obtained from the Copyright & Licensing Manager.
Tel: +44 (0)20 8996 7070. Fax: +44 (0)20 8996 7553.
Email: copyright@bsi-global.com.