

Paper and board — Determination of tensile properties —

Part 3: Constant rate of elongation method (100 mm/min)

ICS 85.060

National foreword

This British Standard reproduces verbatim ISO 1924-3:2005 and implements it as the UK national standard.

The UK participation in its preparation was entrusted to Technical Committee PAI/11, Methods of test for paper, board and pulps, which has the responsibility to:

- aid enquirers to understand the text;
- present to the responsible international/European committee any enquiries on the interpretation, or proposals for change, and keep UK interests informed;
- monitor related international and European developments and promulgate them in the UK.

A list of organizations represented on this committee can be obtained on request to its secretary.

Cross-references

The British Standards which implement international publications referred to in this document may be found in the *BSI Catalogue* under the section entitled “International Standards Correspondence Index”, or by using the “Search” facility of the *BSI Electronic Catalogue* or of British Standards Online.

This publication does not purport to include all the necessary provisions of a contract. Users are responsible for its correct application.

Compliance with a British Standard does not of itself confer immunity from legal obligations.

Summary of pages

This document comprises a front cover, an inside front cover, the ISO title page, pages ii to v, a blank page, pages 1 to 10, an inside back cover and a back cover.

The BSI copyright notice displayed in this document indicates when the document was last issued.

Amendments issued since publication

Amd. No.	Date	Comments

This British Standard was published under the authority of the Standards Policy and Strategy Committee on 3 October 2005

© BSI 3 October 2005

INTERNATIONAL
STANDARD

ISO
1924-3

First edition
2005-07-01

**Paper and board — Determination
of tensile properties —**

Part 3:
**Constant rate of elongation method
(100 mm/min)**

*Papier et carton — Détermination des propriétés de traction —
Partie 3: Méthode à gradient d'allongement constant (100 mm/min)*



Reference number
ISO 1924-3:2005(E)

Contents

Page

Foreword.....	iv
Introduction	v
1 Scope	1
2 Normative references	1
3 Terms and definitions.....	1
4 Principle	2
5 Apparatus	2
6 Calibration and adjustment of apparatus.....	4
7 Sampling and preparation of test pieces	4
7.1 Sampling.....	4
7.2 Conditioning.....	4
7.3 Preparation of test pieces.....	4
8 Procedure	4
9 Calculation and report.....	5
9.1 Tensile strength	5
9.2 Tensile index	6
9.3 Strain at break	6
9.4 Tensile energy absorption	6
9.5 Tensile energy absorption index.....	7
9.6 Tensile stiffness	7
9.7 Tensile stiffness index	8
9.8 Modulus of elasticity	8
10 Precision	8
10.1 Repeatability.....	8
10.2 Reproducibility	8
11 Test report	9
Bibliography	10

Foreword

ISO (the International Organization for Standardization) is a worldwide federation of national standards bodies (ISO member bodies). The work of preparing International Standards is normally carried out through ISO technical committees. Each member body interested in a subject for which a technical committee has been established has the right to be represented on that committee. International organizations, governmental and non-governmental, in liaison with ISO, also take part in the work. ISO collaborates closely with the International Electrotechnical Commission (IEC) on all matters of electrotechnical standardization.

International Standards are drafted in accordance with the rules given in the ISO/IEC Directives, Part 2.

The main task of technical committees is to prepare International Standards. Draft International Standards adopted by the technical committees are circulated to the member bodies for voting. Publication as an International Standard requires approval by at least 75 % of the member bodies casting a vote.

Attention is drawn to the possibility that some of the elements of this document may be the subject of patent rights. ISO shall not be held responsible for identifying any or all such patent rights.

ISO 1924-3 was prepared by Technical Committee ISO/TC 6, *Paper, board and pulps*, Subcommittee SC 2, *Test methods and quality specifications for paper and board*.

ISO 1924 consists of the following parts, under the general title *Paper and board — Determination of tensile properties*:

- Part 2: *Constant rate of elongation method*¹⁾
- Part 3: *Constant rate of elongation method (100 mm/min)*

Part 1: (*Constant rate of loading method*) was withdrawn in 2004 as it was considered obsolete.

1) In Part 2, a constant rate of elongation of 20 mm/min is used.

Introduction

This part of ISO 1924 has been developed in order to specify the conditions for determining the tensile properties of paper, including tensile stiffness and tensile stiffness index, using a higher rate of elongation than specified in ISO 1924-2, which is the most commonly used part where tensile strength, stretch at break, tensile energy absorption and modulus of elasticity are measured. In ISO 1924-2, the tensile properties are measured at a constant rate of elongation of 20 mm/min at a test span of 180 mm. For the measuring of tensile stiffness in this part of ISO 1924, a higher accuracy in the recording of elongation, compared to ISO 1924-2, is also required.

This part of ISO 1924 specifies the fastest of the two methods. In addition to the properties measured in ISO 1924-2, the tensile stiffness is also measured. The tensile properties are measured at a constant rate of elongation of 100 mm/min at a test span of 100 mm, and the elongation is recorded with a higher accuracy than the accuracy in ISO 1924-2.

This part of ISO 1924 differs from existing standards for testing tensile properties in that the test span, i.e. the distance between the clamping lines, is 100 mm irrespective of the kind of sample to be tested. The rate of elongation has been increased to 100 mm/min in order to reduce the testing time, thus making it possible to test a greater number of samples within a given time period.

NOTE The results of tensile tests depend on the rate of elongation applied and the test span. The rate dependence and the effect of test span may vary with paper grade and are different for tensile strength, strain at break, tensile energy absorption and tensile stiffness. In a study within SCAN-test, comparing the results achieved using ISO 1924-2 and this part, the tensile strength increased by 5 % to 15 % when the rate of elongation was increased from 20 mm/min (at a test span length of 180 mm) to 100 mm/min (at a test span length of 100 mm).

It is not possible to predict the exact relationship between the results for any particular paper whose tensile properties are determined using ISO 1924-2 and this part of ISO 1924. This relationship may only be determined by laboratory experimentation.

In this part of ISO 1924, the same terminology and symbols are used as in general literature concerning physics and mechanics of materials.

Paper and board — Determination of tensile properties —

Part 3: Constant rate of elongation method (100 mm/min)

1 Scope

This part of ISO 1924 specifies a method for measuring the tensile strength, strain at break, tensile energy absorption and tensile stiffness, using a testing machine operating with a constant rate of elongation (100 mm/min). This part of ISO 1924 also specifies equations for calculating the tensile index, the tensile energy absorption index, the tensile stiffness index and the modulus of elasticity.

When tensile stiffness is to be determined, a greater accuracy is required in the elongation measurement than when the other tensile properties are to be determined. If the elongation is determined with the lower accuracy, the tensile stiffness value obtained is not in accordance with this part of ISO 1924.

This part of ISO 1924 is applicable to all papers and boards, including papers of high extensibility, such as creped papers and extensible sack papers, but with the exception of low-density papers such as tissue papers and tissue products for which ISO 12625-4^[2] is recommended.

2 Normative references

The following referenced documents are indispensable for the application of this document. For dated references, only the edition cited applies. For undated references, the latest edition of the referenced document (including any amendments) applies.

ISO 186, *Paper and board — Sampling to determine average quality*

ISO 187, *Paper, board and pulps — Standard atmosphere for conditioning and testing and procedure for monitoring the atmosphere and conditioning of samples*

ISO 534, *Paper and board — Determination of thickness, density and specific volume*

ISO 536, *Paper and board — Determination of grammage*

3 Terms and definitions

For the purposes of this document, the following terms and definitions apply.

3.1

tensile strength

maximum tensile force per unit width that paper and board will withstand before breaking under the conditions defined in this standard test method

3.2

tensile index

tensile strength divided by the grammage

3.3

elongation

increase in length of a test piece

3.4

strain

ratio of the elongation of a test piece to the initial test length

NOTE The initial test length of the test piece is the same as the initial span between the clamping lines.

3.5

strain at break

strain at the maximum tensile force

3.6

tensile energy absorption

amount of energy per unit surface area (test length \times width) of a test piece when it is strained to the maximum tensile force

3.7

tensile energy absorption index

tensile energy absorption divided by the grammage

3.8

tensile stiffness

maximum slope of the curve obtained when tensile force per unit width is plotted versus strain

3.9

tensile stiffness index

tensile stiffness divided by the grammage

3.10

modulus of elasticity

tensile stiffness divided by the thickness

4 Principle

A test piece of given dimensions is strained to break at a constant rate of elongation using a testing machine that automatically records both the tensile force and the elongation. From the recorded data, the tensile strength, the strain at break, the tensile energy absorption and the tensile stiffness are calculated.

5 Apparatus

5.1 Tensile testing machine, including means of determining the force (i.e. a load-cell), the elongation and the area between the force-elongation curve and the elongation axis. The testing machine is designed to strain a test piece at a constant rate of elongation of 100 mm/min \pm 10 mm/min, and to record both the tensile force and the elongation.

NOTE 1 The true elongation rate is less than the rate of movement of the moving clamp due to the deflection of the load-cell and the testing machine. This rate difference has, however, normally a negligible effect on the strength values.

The testing machine shall have two clamps for holding the test piece. Each clamp shall be designed to grip the test piece firmly, but without damage, along a straight line across the full width of the test piece (the clamping line), and have a means of adjusting the clamping force.

NOTE 2 The clamping line is the contact zone resulting from gripping the test piece between a cylindrical and a flat surface or between two cylindrical surfaces whose axes are parallel. For certain grades of paper, "line contact" clamps may not be appropriate and it may be necessary to replace them with another type of gripping surface. Other types of clamps may be used, provided no slippage of, or damage to, the test piece occurs during the test.

When the test piece is clamped, the clamping lines shall be parallel to each other within an angle of 1° , see Figure 1. During the test, the angle between the clamping lines shall not change by more than $0,5^\circ$ in the plane of the test piece. The centre-line of the test piece shall be perpendicular to the clamping lines within an angle of 1° .

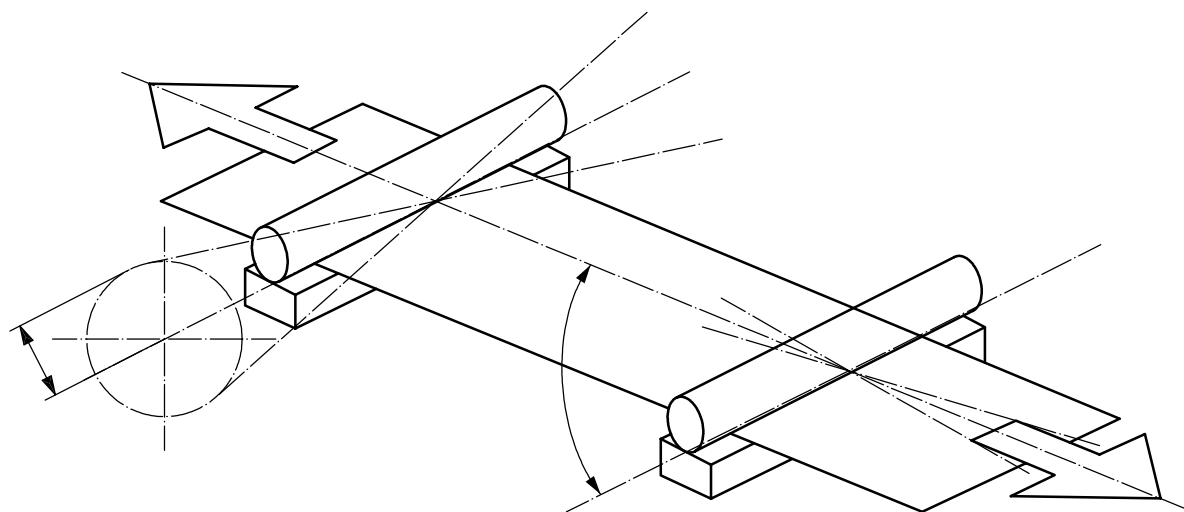
If there is any suspicion that the test piece slips, a test with different clamping forces shall be carried out. If the clamping force influences the strain at break, this means that the test piece may be slipping in the clamp. If the strain at break is independent of the clamping force, then no slipping in the clamps occurs.

The applied tensile force shall be parallel to the test piece centre-line, in the direction of the test piece, within an angle of 1° . The distance between the clamping lines (the test span) shall be $100 \text{ mm} \pm 0,5 \text{ mm}$.

The apparatus shall have means of recording the elongation and the force as follows:

Property	Elongation	Force
Tensile strength	—	to an accuracy of 1,0 % of the true force
Strain at break	to an accuracy of 0,1 mm	—
Tensile energy absorption	to an accuracy of 0,1 mm	to an accuracy of 1,0 % of the true force
Tensile stiffness	to an accuracy of 0,01 mm, in the range 0 to 1 mm	to an accuracy of 1,0 % of the true force

The elongation shall be calculated from the change in distance between the clamps, or by the use of an extensometer.



Clamping lines parallel to each other within an angle of 1°

Centre-line of test piece perpendicular to clamping line within an angle of 1°

Tensile force parallel to the test piece centre-line within an angle of 1°

Figure 1 — Clamping line and test piece relationship

NOTE 3 If the elongation is calculated from the movement of the moving clamp, the deflection of the load-cell and of the testing machine must be taken into consideration and adjusted for.

5.2 Device for cutting test pieces to the dimensions required (see 7.3).

6 Calibration and adjustment of apparatus

The apparatus shall be calibrated according to the instructions given by the manufacturer. Ensure that the criteria stated in the Table in 5.1 are fulfilled.

Position the clamps so that the test span is $100 \text{ mm} \pm 0,5 \text{ mm}$. Check the test span by measuring the two impressions produced by the clamps when strips of, for example, thin aluminium foil are clamped.

Adjust the rate of separation of the clamps to $100 \text{ mm/min} \pm 10 \text{ mm/min}$. Adjust the clamping force so that there is neither slipping of, nor damage to, the test piece.

7 Sampling and preparation of test pieces

7.1 Sampling

If the tests are being made to evaluate a lot, the sample shall be selected in accordance with ISO 186. If the tests are made on another type of sample, make sure that the test pieces are representative of the sample received.

7.2 Conditioning

Condition the specimens of paper and board as specified in ISO 187. Keep them in the conditioning atmosphere throughout the test.

This test, like other mechanical tests, is very sensitive to changes in the moisture content of the test piece. Handle the test pieces carefully, and avoid touching with a bare hand the part of the test piece to be placed between the clamps. Keep the test pieces away from moisture, heat and other influences that may change their moisture content.

7.3 Preparation of test pieces

If the tensile index, tensile stiffness index or tensile energy absorption index is required, determine the grammage of the specimens as described in ISO 536. If the modulus of elasticity is required, determine the thickness as described in ISO 534.

From specimens of undamaged paper and board, cut test pieces with a width of $15,0 \text{ mm} \pm 0,1 \text{ mm}$ and long enough to be clamped in the clamps. Avoid touching with a bare hand the part of the test piece to be placed between the clamps, avoiding watermarks, folds and wrinkles. Ensure that the test pieces are representative of the sample to be tested. The long edges of the test pieces shall be straight, parallel to within $\pm 0,1 \text{ mm}$ over the total clamping length, cleanly cut and undamaged. Cut a sufficient number of test pieces to enable at least 10 tests to be made in each direction of interest (machine direction, cross direction).

NOTE Several test pieces can be cut simultaneously, provided that the test pieces obtained fulfil the requirements specified above and that the test pieces obtained give the same result as test pieces cut one at a time.

A test width of $25,0 \text{ mm} \pm 0,1 \text{ mm}$ or $50,0 \text{ mm} \pm 0,1 \text{ mm}$ is also permitted, but this shall be reported.

8 Procedure

Ensure that the testing machine is calibrated as described in Clause 6. Place the test piece in the clamps without straining it and so that any observable slack is eliminated. Avoid touching the test area between the clamps with the fingers. Align and tightly clamp the test piece and perform the test.

Test at least 10 test pieces in each direction of interest (machine direction, cross direction). Reject all readings for test pieces that break within 2 mm of the clamping lines.

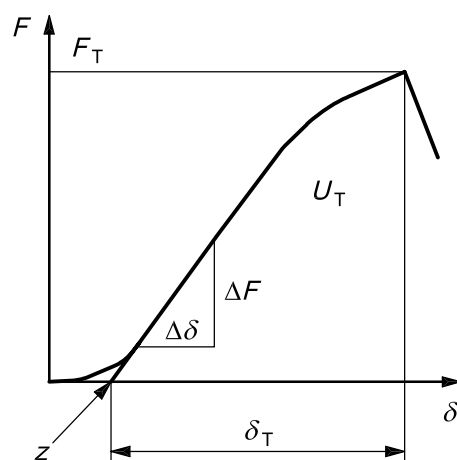
NOTE If more than 20 % of the test pieces break within 2 mm of the clamping lines, inspect the apparatus for conformity with the specifications and take the appropriate remedial measures. Accept the results if the apparatus conforms to the specifications in 5.1. Otherwise, reject all the readings obtained for that particular specimen.

9 Calculation and report

Calculate and report the results separately for the machine and cross directions.

In order to specify the kind of result reported, the suffixes MD and CD shall be used to express the machine and cross direction, respectively. As an example, $\sigma_{T,MD}^w$ is used for the tensile index in the machine direction, $\sigma_{T,CD}^w$ is used for the tensile index in the cross direction and $\sigma_{T,GM}^w$ is used for the geometric mean tensile index.

A typical force-elongation curve is shown in Figure 2.



Key

- F tensile force, in newtons
 - δ elongation, in millimetres
 - z point where the tangent to the curve, with a slope equal to the maximum slope of the curve, intersects the elongation axis
 - F_T maximum tensile force, in newtons
 - δ_T elongation at break, in millimetres
 - U_T area under the tensile force-elongation curve, in millijoules
- For other symbols, see Equation 6.

Figure 2 — Measured quantities for calculation of tensile properties

9.1 Tensile strength

Evaluate the maximum tensile force for each test piece. Calculate the mean maximum tensile force and then the tensile strength from the expression:

$$\sigma_T^b = \frac{\bar{F}_T}{b} \quad (1)$$

where

σ_T^b is the tensile strength, in kilonewtons per metre;

\bar{F}_T is the mean maximum tensile force, in newtons;

b is the width of the test piece, in millimetres (normally 15 mm).

Report the tensile strength to three significant figures.

9.2 Tensile index

Calculate the tensile index from the expression:

$$\sigma_T^w = \frac{1\,000\sigma_T^b}{w} \quad (2)$$

where

σ_T^w is the tensile index, in kilonewton metres per kilogram;

σ_T^b is the tensile strength, in kilonewtons per metre;

w is the grammage, in grams per square metre.

Report the tensile index to three significant figures.

9.3 Strain at break

All elongation values shall be calculated from the point, z , where the tangent to the curve, with a slope equal to the maximum slope of the curve, intersects the elongation axis, see Figure 2.

Evaluate the elongation at break for each test piece from the force-elongation curves from the point z up to the elongation corresponding to the maximum tensile force, see Figure 2. Calculate the mean elongation at break and then the strain at break from the expression:

$$\varepsilon_T = \frac{100\bar{\delta}_T}{l} \quad (3)$$

where

ε_T is the strain at break, as a percentage of the initial test length;

$\bar{\delta}_T$ is the mean elongation at break, in millimetres;

l is the initial test length of the test piece, in millimetres (100 mm).

If the higher accuracy of the elongation measurement is used, the strain at break shall be reported with two decimals. If the lower accuracy of the elongation measurement is used, report the strain at break with one decimal.

9.4 Tensile energy absorption

For each test piece, determine the area under the force-elongation curve from the point z up to the point of maximum tensile force, see Figure 2. Calculate the mean area, and then the tensile energy absorption, from the expression:

$$W_T^b = \frac{1\,000 \bar{U}_T}{bl} \quad (4)$$

where

W_T^b is the tensile energy absorption (TEA), in joules per square metre;

\bar{U}_T is the mean area under the force-elongation curve, in millijoules;

b is the initial width of the test piece, in millimetres (normally 15 mm);

l is the initial test length of the test piece, in millimetres (100 mm).

Report the tensile energy absorption to three significant figures.

9.5 Tensile energy absorption index

Calculate the tensile energy absorption index from the expression:

$$W_T^w = \frac{1\,000 W_T^b}{w} \quad (5)$$

where

W_T^w is the tensile energy absorption index, in joules per kilogram;

W_T^b is the tensile energy absorption, in joules per square metre;

w is the grammage, in grams per square metre.

Report the tensile energy absorption index to three significant figures.

9.6 Tensile stiffness

With the aid of a computer, for each test piece, determine the maximum slope of the force-elongation curve by preferably linear regression analysis over a number of corresponding force and elongation values, see Figure 2.

$$S_{\max} = \left(\frac{\Delta F}{\Delta \delta} \right)_{\max} \quad (6)$$

where

S_{\max} is the maximum slope of the force-elongation curve, in newtons per millimetre;

ΔF is the force increment, in newtons;

$\Delta \delta$ is the elongation increment, in millimetres.

Choose an elongation increment, $\Delta \delta$, of 0,1 mm. The linear regression analysis shall contain at least 10 force-elongation values.

Calculate the mean maximum slope, \bar{S}_{\max} , and then the tensile stiffness from the expression:

$$E^b = \frac{\bar{S}_{\max} l}{b} \quad (7)$$

where

E^b is the tensile stiffness, in kilonewtons per metre;

\bar{S}_{\max} is the mean maximum slope, in newtons per millimetre;

b is the initial width of the test piece, in millimetres (normally 15 mm);

l is the initial test length of the test piece, in millimetres (100 mm).

Calculate and report the tensile stiffness to three significant figures.

NOTE Since the stiffness (in the plane of the paper) is the same in tension and compression, the subscript T is omitted in Equation 7.

9.7 Tensile stiffness index

Calculate the tensile stiffness index from the expression:

$$E^w = \frac{E^b}{w} \quad (8)$$

where

E^w is the tensile stiffness index, in meganewton metres per kilogram;

E^b is the tensile stiffness, in kilonewtons per metre;

w is the grammage, in grams per square metre.

Report the tensile stiffness index to three significant figures.

9.8 Modulus of elasticity

Calculate the modulus of elasticity from the expression:

$$E = \frac{E^b}{t} \quad (9)$$

where

E is the modulus of elasticity, in megapascals;

E^b is the tensile stiffness, in kilonewtons per metre;

t is the thickness, in millimetres.

Report the modulus of elasticity to three significant figures.

10 Precision

10.1 Repeatability

Results from repeated measurements, under normal laboratory conditions using test pieces from the same gross sample, have a coefficient of variation for tensile strength and tensile stiffness of the order of 3 % to 5 % depending on the paper grade, whereas the coefficient of variation for the tensile energy absorption is of the order of 5 % to 10 %.

10.2 Reproducibility

Seven laboratories (within the Scandinavian Pulp, Paper and Board Testing Committee) tested the same papers and boards. The tensile stiffness was evaluated according to Equation (7). The reproducibility is shown in Table 1.

Table 1 — Tensile properties and the coefficient of variation between laboratories for different paper grades (test span: 100 mm, rate of elongation: 100 mm/min)

Type of sample	Tensile strength		Strain at break		Tensile energy absorption		Tensile stiffness	
	kN/m	CV, %	%	CV, %	J/m ²	CV, %	kN/m	CV, %
Newsprint, MD	2,62	1,9	1,1	8,1	16,4	4,3	395	10,2
Newsprint, CD	1,09	3,3	1,9	8,7	12,8	7,8	152	17,0
Sack paper, MD	8,34	4,3	2,4	6,4	131	8,5	888	6,0
Sack paper, CD	4,88	1,9	6,9	3,4	231	3,5	422	14,2
Solid board, MD	19,3	1,7	1,7	9,3	212	8,8	2 311	6,0
Solid board, CD	6,69	2,2	5,7	4,2	279	3,7	730	7,4
Multiply board, MD	19,3	1,7	2,1	5,3	262	5,2	1 948	6,0
Multiply board, CD	7,27	2,2	5,1	3,0	264	4,7	682	7,7

CV Coefficient of Variation
MD Machine Direction
CD Cross Direction

11 Test report

The test report shall include the following information:

- a) reference to this part of ISO 1924;
- b) date and place of testing;
- c) all the information necessary for complete identification of the sample;
- d) the conditioning atmosphere used;
- e) the direction of the test;
- f) the type of clamps used;
- g) if tensile stiffness is determined, the accuracy of the recording of elongation (in the range 0 mm to 1 mm);
- h) required results, as specified in Clause 9;
- i) the width of the test piece, if not 15 mm;
- j) the coefficient of variation of the required results;
- k) any departure from this part of ISO 1924 that may have affected the results.

Bibliography

- [1] ISO 12625-4, *Tissue paper and tissue products — Determination of tensile strength, stretch at break and tensile energy absorption*

BSI — British Standards Institution

BSI is the independent national body responsible for preparing British Standards. It presents the UK view on standards in Europe and at the international level. It is incorporated by Royal Charter.

Revisions

British Standards are updated by amendment or revision. Users of British Standards should make sure that they possess the latest amendments or editions.

It is the constant aim of BSI to improve the quality of our products and services. We would be grateful if anyone finding an inaccuracy or ambiguity while using this British Standard would inform the Secretary of the technical committee responsible, the identity of which can be found on the inside front cover.
Tel: +44 (0)20 8996 9000. Fax: +44 (0)20 8996 7400.

BSI offers members an individual updating service called PLUS which ensures that subscribers automatically receive the latest editions of standards.

Buying standards

Orders for all BSI, international and foreign standards publications should be addressed to Customer Services. Tel: +44 (0)20 8996 9001.
Fax: +44 (0)20 8996 7001. Email: orders@bsi-global.com. Standards are also available from the BSI website at <http://www.bsi-global.com>.

In response to orders for international standards, it is BSI policy to supply the BSI implementation of those that have been published as British Standards, unless otherwise requested.

Information on standards

BSI provides a wide range of information on national, European and international standards through its Library and its Technical Help to Exporters Service. Various BSI electronic information services are also available which give details on all its products and services. Contact the Information Centre.
Tel: +44 (0)20 8996 7111. Fax: +44 (0)20 8996 7048. Email: info@bsi-global.com.

Subscribing members of BSI are kept up to date with standards developments and receive substantial discounts on the purchase price of standards. For details of these and other benefits contact Membership Administration.
Tel: +44 (0)20 8996 7002. Fax: +44 (0)20 8996 7001.
Email: membership@bsi-global.com.

Information regarding online access to British Standards via British Standards Online can be found at <http://www.bsi-global.com/bsonline>.

Further information about BSI is available on the BSI website at <http://www.bsi-global.com>.

Copyright

Copyright subsists in all BSI publications. BSI also holds the copyright, in the UK, of the publications of the international standardization bodies. Except as permitted under the Copyright, Designs and Patents Act 1988 no extract may be reproduced, stored in a retrieval system or transmitted in any form or by any means – electronic, photocopying, recording or otherwise – without prior written permission from BSI.

This does not preclude the free use, in the course of implementing the standard, of necessary details such as symbols, and size, type or grade designations. If these details are to be used for any other purpose than implementation then the prior written permission of BSI must be obtained.

Details and advice can be obtained from the Copyright & Licensing Manager.
Tel: +44 (0)20 8996 7070. Fax: +44 (0)20 8996 7553.
Email: copyright@bsi-global.com.