

BS ISO 1434:2016



BSI Standards Publication

Natural rubber in bales — Amount of bale coating — Determination

National foreword

This British Standard is the UK implementation of ISO 1434:2016. It supersedes BS ISO 1434:1995 which is withdrawn.

The UK participation in its preparation was entrusted to Technical Committee PRI/50, Raw materials (including latex) for use in the rubber industry.

A list of organizations represented on this committee can be obtained on request to its secretary.

This publication does not purport to include all the necessary provisions of a contract. Users are responsible for its correct application.

© The British Standards Institution 2016.
Published by BSI Standards Limited 2016

ISBN 978 0 580 77196 5

ICS 83.060

Compliance with a British Standard cannot confer immunity from legal obligations.

This British Standard was published under the authority of the Standards Policy and Strategy Committee on 30 November 2016.

Amendments/corrigenda issued since publication

Date	Text affected
------	---------------

INTERNATIONAL
STANDARD

BS ISO 1434:2016

ISO
1434

Third edition
2016-11-01

**Natural rubber in bales — Amount of
bale coating — Determination**

Caoutchouc naturel en balles — Quantité d'enduit — Détermination



Reference number
ISO 1434:2016(E)

© ISO 2016



COPYRIGHT PROTECTED DOCUMENT

© ISO 2016, Published in Switzerland

All rights reserved. Unless otherwise specified, no part of this publication may be reproduced or utilized otherwise in any form or by any means, electronic or mechanical, including photocopying, or posting on the internet or an intranet, without prior written permission. Permission can be requested from either ISO at the address below or ISO's member body in the country of the requester.

ISO copyright office
Ch. de Blandonnet 8 • CP 401
CH-1214 Vernier, Geneva, Switzerland
Tel. +41 22 749 01 11
Fax +41 22 749 09 47
copyright@iso.org
www.iso.org

Contents

Page

Foreword	iv
1 Scope	1
2 Sampling	1
2.1 General.....	1
2.2 Preparation of the test portion	1
3 Ashing method	2
3.1 Principle.....	2
3.2 Apparatus.....	2
3.3 Procedure.....	2
4 Brushing or scraping method	2
5 Expression of the results	3
6 Test report	3
Annex A (informative) Sample cutting die	4
Annex B (informative) Amount of bale coating	5
Bibliography	6

Foreword

ISO (the International Organization for Standardization) is a worldwide federation of national standards bodies (ISO member bodies). The work of preparing International Standards is normally carried out through ISO technical committees. Each member body interested in a subject for which a technical committee has been established has the right to be represented on that committee. International organizations, governmental and non-governmental, in liaison with ISO, also take part in the work. ISO collaborates closely with the International Electrotechnical Commission (IEC) on all matters of electrotechnical standardization.

The procedures used to develop this document and those intended for its further maintenance are described in the ISO/IEC Directives, Part 1. In particular the different approval criteria needed for the different types of ISO documents should be noted. This document was drafted in accordance with the editorial rules of the ISO/IEC Directives, Part 2 (see www.iso.org/directives).

Attention is drawn to the possibility that some of the elements of this document may be the subject of patent rights. ISO shall not be held responsible for identifying any or all such patent rights. Details of any patent rights identified during the development of the document will be in the Introduction and/or on the ISO list of patent declarations received (see www.iso.org/patents).

Any trade name used in this document is information given for the convenience of users and does not constitute an endorsement.

For an explanation on the meaning of ISO specific terms and expressions related to conformity assessment, as well as information about ISO's adherence to the World Trade Organization (WTO) principles in the Technical Barriers to Trade (TBT) see the following URL: www.iso.org/iso/foreword.html.

The committee responsible for this document is ISO/TC 45, *Rubber and rubber products*, Subcommittee SC 3, *Raw materials (including latex) for use in the rubber industry*.

This third edition cancels and replaces the second edition (ISO 1434:1995), which has been technically revised with the following changes:

- the scope has been reworded and the ashing method has been made the preferred method;
- the brushing or scraping method has been modified to align dimensions of specimen for ashing methods;
- the sampling procedure has been modified;
- the notes in the ashing method, stating the need for the correction of ash arising from the rubber itself, have been deleted.

Natural rubber in bales — Amount of bale coating — Determination

WARNING — Persons using this International Standard should be familiar with normal laboratory practice. This International Standard does not purport to address all of the safety problems, if any, associated with its use. It is the responsibility of the user to establish appropriate safety and health practices and to ensure compliance with any national regulatory conditions.

1 Scope

This International Standard specifies two methods for the determination of the amount of bale coating present on the outside wrapper sheets of bales of natural rubber:

- ashing method;
- brushing or scraping method.

The ashing method is the preferred method.

NOTE 1 The brushing or scraping procedure, while much faster, is not suitable for use on such rubbers which have holes on the surface where coatings could penetrate, making its removal difficult.

NOTE 2 The ashing procedure is not suitable for coating materials which are affected by the ashing. In particular, coatings containing carbonates or organic matter can give very low results.

2 Sampling

2.1 General

The greater the number of bales in the sample, the more representative is the sample of the lot.

But in most cases, practical considerations impose a limit on what is possible.

The number of bales to be chosen at random shall be agreed between the customer and the supplier.

NOTE If applicable, a statistical sampling plan chosen from ISO 3951-2 can be used.

2.2 Preparation of the test portion

Pneumatically punch out three test pieces of 50 mm × 50 mm, selected at random from the outside wrapper sheets, from any three contiguous sides of the bale, one piece from each side.

If the ashing procedure is used, the thickness of the piece shall not exceed 4 mm.

Handle and store the sample so as to minimize the loss of bale coating.

Test pieces shall be punched out from the bales using a sample cutting die (3.2.1).

3 Ashing method

3.1 Principle

A weighed test portion is wrapped in ashless filter paper, preignited at $300\text{ °C} \pm 25\text{ °C}$ for 1 h, followed by incineration in a muffle furnace at about $550\text{ °C} \pm 25\text{ °C}$ for 2 h to 4 h until all the carbonaceous matter has been burnt off and constant mass is attained.

NOTE This method is taken from ISO 247.

3.2 Apparatus

Normal laboratory equipment and the following.

3.2.1 Sample cutting die (see [Annex A](#)), mounted on suitable device.

3.2.2 Crucible, of silica or porcelain, with lid of capacity approximately 80 ml.

3.2.3 Weighing balance, to weigh accurately up to 1 mg.

3.2.4 Bunsen burner, or similar type of gas burner.

3.2.5 Desiccator, with efficient desiccant.

3.2.6 Ashless filter paper, diameter about 150 mm.

3.2.7 Muffle furnace, fitted with provision for controlling the air flow through the furnace and with temperature controlling device to maintain a temperature of $550\text{ °C} \pm 25\text{ °C}$.

3.3 Procedure

Punch out three test specimens from each of the three pieces removed from the bale, as per [2.2](#), taking care not to lose bale coating. Weigh each test specimen to the nearest 0,1 mg and wrap each test portion in an ashless filter paper ([3.2.6](#)). Take care that the rubber does not ignite. If any material is lost due to spurting or frothing, repeat the above procedure with a new test portion.

When the rubber has decomposed and a dry carbonaceous mass remains, transfer the crucible and its contents to the muffle furnace ([3.2.7](#)), maintained at $550\text{ °C} \pm 25\text{ °C}$. Continue heating until a clean ash is obtained. Remove the crucible from the furnace; allow to cool to ambient temperature in the desiccator ([3.2.5](#)) and weigh to the nearest 0,1 mg.

Then heat the crucible and its content for a further 30 min in the muffle furnace maintained at $550\text{ °C} \pm 25\text{ °C}$. Allow cooling to ambient temperature in the desiccators and re-weigh to the nearest 0,1 mg.

Repeat the heating, cooling and weighing procedure until the difference between two successive weighings is less than 1 mg. Calculate the mass of the ash by difference.

4 Brushing or scraping method

Punch out three test specimens from each of the three pieces removed from the bale, as per [3.2](#), taking care not to lose bale coating. Weigh the test specimen to the nearest 0,1 mg. Remove the bale coating using a stiff wire brush or by scraping, taking care not to abrade rubber from the wrapper sheet. Weigh the specimens after the removal of bale coating, to the nearest 0,1 mg.

Calculate the mass of the bale coating by difference.

5 Expression of the results

Calculate the amount of bale coating per bale, expressed in grams per kilogram of rubber, using the following formula:

$$W = \frac{A_1 \times m_2}{A_2 \times m_1}$$

where

A_1 is the nominal surface area of the bale, in square millimetres;

A_2 is the surface area of the test specimen, in square millimetres;

m_1 is the nominal mass of the bale, in kilograms;

m_2 is the mass, in grams, of the ash or bale coating obtained from the test specimen from [3.3](#) or [Clause 4](#).

The final value of bale coating is obtained by averaging the individual values. The tolerance should be $\pm 5\%$.

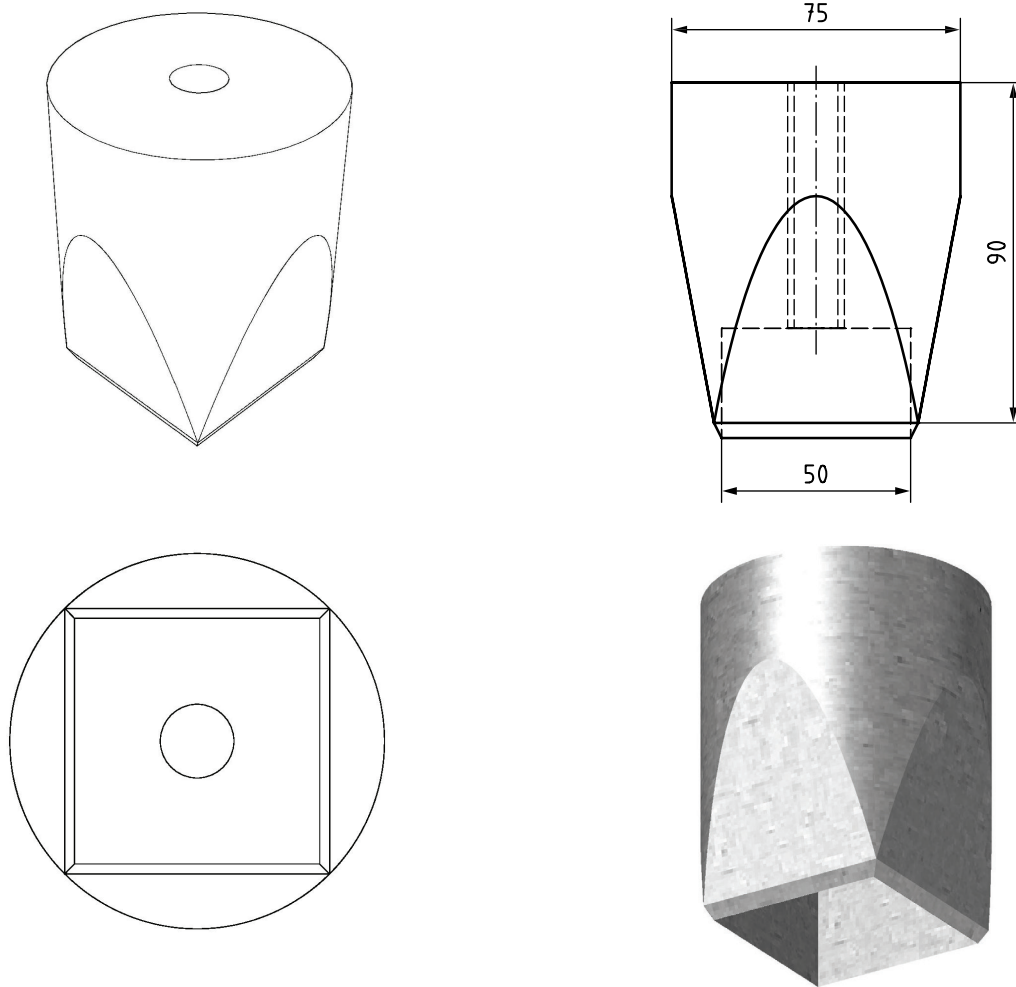
6 Test report

The test report shall include the following information:

- a) a reference to this International Standard, i.e. ISO 1434;
- b) a reference to the method used;
- c) all details necessary for the identification of the sample;
- d) any operation not specified in this International Standard and any operation regarded as optional;
- e) the date of the test.

Annex A (informative)

Sample cutting die



NOTE All dimensions are in millimetres. The only critical dimension is that of cutting edge, 50 mm².

Figure A.1 — Sample cutting die

Annex B (informative)

Amount of bale coating

The “International Standards of Quality and Packing for Natural Rubber Grades” (The Green Book), Part V, Section 7.C, specifies that the maximum weight of bale coating solids shall not exceed 16 oz (0,45 kg) per bale (of 0,14 m³ in volume), i.e. 4 g bale coating per kilogram of rubber.

Bibliography

- [1] ISO 247, *Rubber — Determination of ash*
- [2] ISO 248-1, *Rubber, raw — Determination of volatile-matter content — Part 1: Hot-mill method and oven method*
- [3] ISO 1629, *Rubber and latices — Nomenclature*
- [4] ISO 3951-2, *Sampling procedures for inspection by variables — Part 2: General specification for single sampling plans indexed by acceptance quality limit (AQL) for lot-by-lot inspection of independent quality characteristics*
- [5] RUBBER MANUFACTURERS ASSOCIATION. *International Standards of Quality and Packing for Natural Rubber Grades (Green Book)*. 1969

British Standards Institution (BSI)

BSI is the national body responsible for preparing British Standards and other standards-related publications, information and services.

BSI is incorporated by Royal Charter. British Standards and other standardization products are published by BSI Standards Limited.

About us

We bring together business, industry, government, consumers, innovators and others to shape their combined experience and expertise into standards-based solutions.

The knowledge embodied in our standards has been carefully assembled in a dependable format and refined through our open consultation process. Organizations of all sizes and across all sectors choose standards to help them achieve their goals.

Information on standards

We can provide you with the knowledge that your organization needs to succeed. Find out more about British Standards by visiting our website at bsigroup.com/standards or contacting our Customer Services team or Knowledge Centre.

Buying standards

You can buy and download PDF versions of BSI publications, including British and adopted European and international standards, through our website at bsigroup.com/shop, where hard copies can also be purchased.

If you need international and foreign standards from other Standards Development Organizations, hard copies can be ordered from our Customer Services team.

Copyright in BSI publications

All the content in BSI publications, including British Standards, is the property of and copyrighted by BSI or some person or entity that owns copyright in the information used (such as the international standardization bodies) and has formally licensed such information to BSI for commercial publication and use.

Save for the provisions below, you may not transfer, share or disseminate any portion of the standard to any other person. You may not adapt, distribute, commercially exploit, or publicly display the standard or any portion thereof in any manner whatsoever without BSI's prior written consent.

Storing and using standards

Standards purchased in soft copy format:

- A British Standard purchased in soft copy format is licensed to a sole named user for personal or internal company use only.
- The standard may be stored on more than 1 device provided that it is accessible by the sole named user only and that only 1 copy is accessed at any one time.
- A single paper copy may be printed for personal or internal company use only.

Standards purchased in hard copy format:

- A British Standard purchased in hard copy format is for personal or internal company use only.
- It may not be further reproduced – in any format – to create an additional copy. This includes scanning of the document.

If you need more than 1 copy of the document, or if you wish to share the document on an internal network, you can save money by choosing a subscription product (see 'Subscriptions').

Reproducing extracts

For permission to reproduce content from BSI publications contact the BSI Copyright & Licensing team.

Subscriptions

Our range of subscription services are designed to make using standards easier for you. For further information on our subscription products go to bsigroup.com/subscriptions.

With **British Standards Online (BSOL)** you'll have instant access to over 55,000 British and adopted European and international standards from your desktop. It's available 24/7 and is refreshed daily so you'll always be up to date.

You can keep in touch with standards developments and receive substantial discounts on the purchase price of standards, both in single copy and subscription format, by becoming a **BSI Subscribing Member**.

PLUS is an updating service exclusive to BSI Subscribing Members. You will automatically receive the latest hard copy of your standards when they're revised or replaced.

To find out more about becoming a BSI Subscribing Member and the benefits of membership, please visit bsigroup.com/shop.

With a **Multi-User Network Licence (MUNL)** you are able to host standards publications on your intranet. Licences can cover as few or as many users as you wish. With updates supplied as soon as they're available, you can be sure your documentation is current. For further information, email subscriptions@bsigroup.com.

Revisions

Our British Standards and other publications are updated by amendment or revision.

We continually improve the quality of our products and services to benefit your business. If you find an inaccuracy or ambiguity within a British Standard or other BSI publication please inform the Knowledge Centre.

Useful Contacts

Customer Services

Tel: +44 345 086 9001

Email (orders): orders@bsigroup.com

Email (enquiries): cservices@bsigroup.com

Subscriptions

Tel: +44 345 086 9001

Email: subscriptions@bsigroup.com

Knowledge Centre

Tel: +44 20 8996 7004

Email: knowledgecentre@bsigroup.com

Copyright & Licensing

Tel: +44 20 8996 7070

Email: copyright@bsigroup.com

BSI Group Headquarters

389 Chiswick High Road London W4 4AL UK