

BS ISO 1174-1:2011



BSI Standards Publication

Assembly tools for screws and nuts — Driving squares

Part 1: Driving squares for hand socket tools

bsi.

...making excellence a habit.™

National foreword

This British Standard is the UK implementation of ISO 1174-1:2011.

The UK participation in its preparation was entrusted to Technical Committee MTE/15, Hand tools.

A list of organizations represented on this committee can be obtained on request to its secretary.

This publication does not purport to include all the necessary provisions of a contract. Users are responsible for its correct application.

© BSI 2011

ISBN 978 0 580 67807 3

ICS 25.140.30

Compliance with a British Standard cannot confer immunity from legal obligations.

This British Standard was published under the authority of the Standards Policy and Strategy Committee on 31 August 2011.

Amendments issued since publication

Date	Text affected
------	---------------

**Assembly tools for screws and nuts —
Driving squares —**

Part 1:

Driving squares for hand socket tools

Outils de manœuvre pour vis et écrous — Carrés d'entraînement —

Partie 1: Carrés d'entraînement pour outils à main





COPYRIGHT PROTECTED DOCUMENT

© ISO 2011

All rights reserved. Unless otherwise specified, no part of this publication may be reproduced or utilized in any form or by any means, electronic or mechanical, including photocopying and microfilm, without permission in writing from either ISO at the address below or ISO's member body in the country of the requester.

ISO copyright office
Case postale 56 • CH-1211 Geneva 20
Tel. + 41 22 749 01 11
Fax + 41 22 749 09 47
E-mail copyright@iso.org
Web www.iso.org

Published in Switzerland

Foreword

ISO (the International Organization for Standardization) is a worldwide federation of national standards bodies (ISO member bodies). The work of preparing International Standards is normally carried out through ISO technical committees. Each member body interested in a subject for which a technical committee has been established has the right to be represented on that committee. International organizations, governmental and non-governmental, in liaison with ISO, also take part in the work. ISO collaborates closely with the International Electrotechnical Commission (IEC) on all matters of electrotechnical standardization.

International Standards are drafted in accordance with the rules given in the ISO/IEC Directives, Part 2.

The main task of technical committees is to prepare International Standards. Draft International Standards adopted by the technical committees are circulated to the member bodies for voting. Publication as an International Standard requires approval by at least 75 % of the member bodies casting a vote.

ISO 1174-1 was prepared by Technical Committee ISO/TC 29, *Small tools*, Subcommittee SC 10, *Assembly tools for screws and nuts, pliers and nippers*.

This second edition cancels and replaces the first edition (ISO 1174-1:1996), Table 1 and Figure 2 of which have been technically revised.

ISO 1174 consists of the following parts, under the general title *Assembly tools for screws and nuts — Driving squares*:

- *Part 1: Driving squares for hand socket tools*
- *Part 2: Driving squares for power socket tools*

Assembly tools for screws and nuts — Driving squares —

Part 1: Driving squares for hand socket tools

1 Scope

This part of ISO 1174 specifies the dimensions, separation force and designation of driving squares for hand socket tools.

NOTE Driving squares for power socket tools are dealt with in ISO 1174-2.

2 Normative references

The following referenced documents are indispensable for the application of this document. For dated references, only the edition cited applies. For undated references, the latest edition of the referenced document (including any amendments) applies.

ISO 3, *Preferred numbers — Series of preferred numbers*

ISO 286-1, *Geometrical product specifications (GPS) — ISO code system for tolerances on linear sizes — Part 1: Bases of tolerances, deviations and fits*

3 Dimensions

3.1 General

Nominal dimensions of driving squares, in millimetres, have been selected from the values of the R 10 series of preferred numbers in accordance with ISO 3.

3.2 Interchangeability

Driving square maximum and minimum dimensions have been selected for the types of tool described in 3.3 and 3.4 so as to allow for interchangeability, whatever the measurement system used.

Deviations, between maximum and minimum dimensions correspond

— for s_1 , to tolerances of grade IT11 in accordance with ISO 286-1, and

— for s_2 , to tolerances of grade IT13 in accordance with ISO 286-1.

When using male square drives with a plunger retainer instead of a ball, only female squares with retaining holes as opposed to recesses should be used.

3.3 Male squares

See Figures 1 and 2 and Table 1.

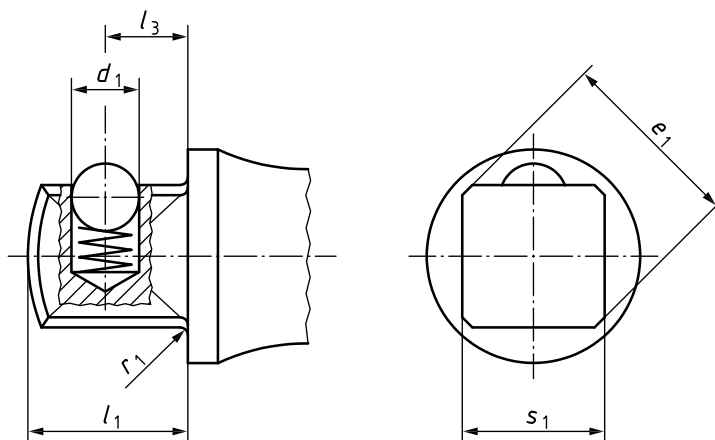


Figure 1 — Type A with ball

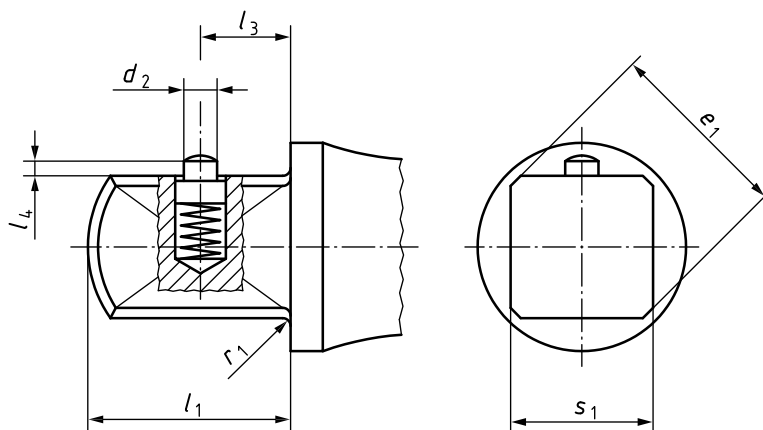


Figure 2 — Type B with plunger retainer

Table 1 — Male square dimensions — Types A and B

Dimensions in millimetres

Type ^a	s_1			d_1	d_2	e_1		l_1	l_3		l_4	r_1
	nom.	max.	min.	≈	max.	max.	min.	max.	nom.	tol.	min. ^b	max.
A (B)	6,3	6,35	6,26	3	2	8,4	8,0	7,5	4	±0,2	0,9	0,5
A (B)	10	9,53	9,44	5	2,6	12,7	12,2	11	5,5	±0,2	0,9	0,6
A (B)	12,5	12,70	12,59	6	3	16,9	16,3	15,5	8	±0,3	1,0	0,8
B (A)	20	19,05	18,92	7	4,3	25,4	24,4	23	10,2	±0,3	1,0	1,2
B	25	25,40	25,27	—	5	34,0	32,4	28	15	±0,3	1,0	1,6

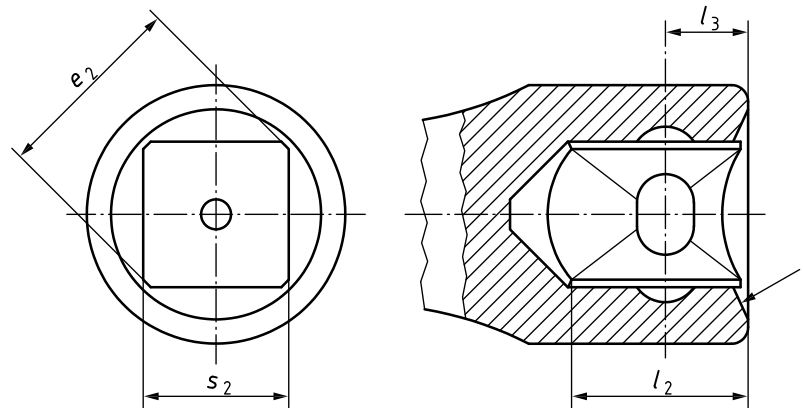
NOTE It is not recommended that types B and C be used together.

^a Types given in brackets are non-preferred.

^b Rounded values given, based on the calculation $l_{4,\min} = s_{2,\max} - s_{1,\min} + 0,5$ mm.

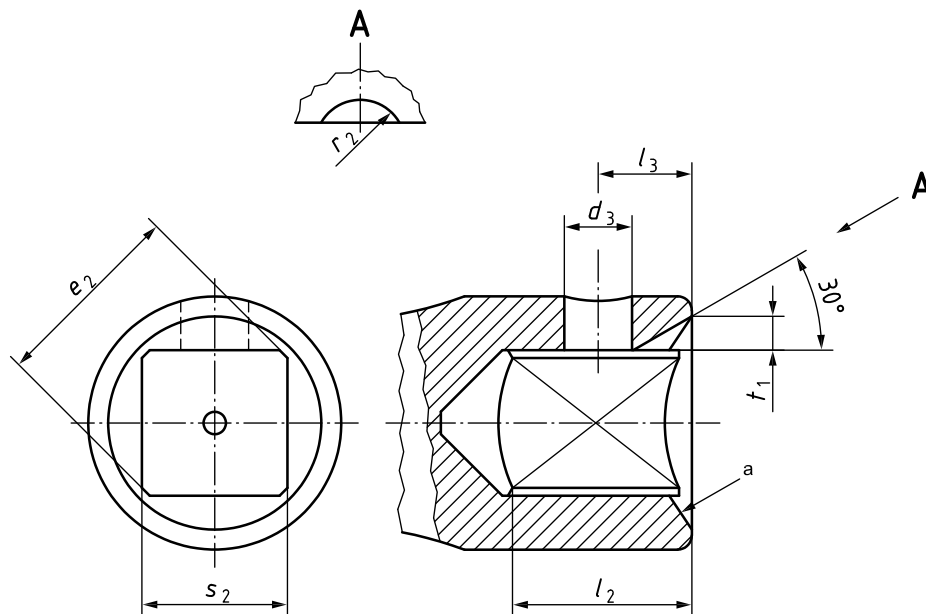
3.4 Female squares

See Figures 3 and 4 and Table 2.



^a Chamfered or rounded in conformity with radius, r_1 , of the male square.

Figure 3 — Type C



^a Chamfered or rounded in conformity with radius, r_1 , of the male square.

Figure 4 — Type D

Table 2 — Female square dimensions — Types C and D

Dimensions in millimetres

Type ^a	s_2			d_3	e_2	l_2	l_3		r_2	t_1
	nom.	max.	min.	min.	min.	min.	nom.	tol.		
C, D	6,3	6,63	6,41	2,5	8,5	8	4	±0,2	—	—
C (D)	10	9,80	9,58	5	12,9	11,5	5,5	±0,2	—	—
C (D)	12,5	13,03	12,76	6	17,1	16	8	±0,3	4	3
D	20	19,44	19,11	6	25,6	24	10,2	±0,3	4	3,5
D	25	25,79	25,46	6,5	34,4	29	15	±0,3	6	4

NOTE It is not recommended that types B and C be used together.

^a Types given in brackets are non-preferred.

4 Separation force

When the male and female squares are locked, the force that shall be applied in order to separate the two parts shall not be less than

- 4 N for the 6,3 mm square,
- 11 N for the 10 mm square,
- 25 N for the 12,5 mm square, and
- 45 N for the 20 mm square.

The force shall be applied gradually along the axis of the squares.

NOTE The values of separation force apply to tools in the delivery condition and to parts supplied by one manufacturer.

5 Designation

A driving square for hand socket tools in accordance with this part of ISO 1174 shall be designated by

- a) “Male square” or “Female square”, as appropriate;
- b) reference to this part of ISO 1174, i.e. ISO 1174-1;
- c) type;
- d) nominal dimension of driving square, in millimetres.

EXAMPLE A male driving square for hand socket tools type A with nominal dimension 12,5 mm is designated as follows:

Male square ISO 1174-1 – A – 12,5

British Standards Institution (BSI)

BSI is the national body responsible for preparing British Standards and other standards-related publications, information and services.

BSI is incorporated by Royal Charter. British Standards and other standardization products are published by BSI Standards Limited.

About us

We bring together business, industry, government, consumers, innovators and others to shape their combined experience and expertise into standards-based solutions.

The knowledge embodied in our standards has been carefully assembled in a dependable format and refined through our open consultation process. Organizations of all sizes and across all sectors choose standards to help them achieve their goals.

Information on standards

We can provide you with the knowledge that your organization needs to succeed. Find out more about British Standards by visiting our website at bsigroup.com/standards or contacting our Customer Services team or Knowledge Centre.

Buying standards

You can buy and download PDF versions of BSI publications, including British and adopted European and international standards, through our website at bsigroup.com/shop, where hard copies can also be purchased.

If you need international and foreign standards from other Standards Development Organizations, hard copies can be ordered from our Customer Services team.

Subscriptions

Our range of subscription services are designed to make using standards easier for you. For further information on our subscription products go to bsigroup.com/subscriptions.

With **British Standards Online (BSOL)** you'll have instant access to over 55,000 British and adopted European and international standards from your desktop. It's available 24/7 and is refreshed daily so you'll always be up to date.

You can keep in touch with standards developments and receive substantial discounts on the purchase price of standards, both in single copy and subscription format, by becoming a **BSI Subscribing Member**.

PLUS is an updating service exclusive to BSI Subscribing Members. You will automatically receive the latest hard copy of your standards when they're revised or replaced.

To find out more about becoming a BSI Subscribing Member and the benefits of membership, please visit bsigroup.com/shop.

With a **Multi-User Network Licence (MUNL)** you are able to host standards publications on your intranet. Licences can cover as few or as many users as you wish. With updates supplied as soon as they're available, you can be sure your documentation is current. For further information, email bsmusales@bsigroup.com.

BSI Group Headquarters

389 Chiswick High Road London W4 4AL UK

Revisions

Our British Standards and other publications are updated by amendment or revision.

We continually improve the quality of our products and services to benefit your business. If you find an inaccuracy or ambiguity within a British Standard or other BSI publication please inform the Knowledge Centre.

Copyright

All the data, software and documentation set out in all British Standards and other BSI publications are the property of and copyrighted by BSI, or some person or entity that owns copyright in the information used (such as the international standardization bodies) and has formally licensed such information to BSI for commercial publication and use. Except as permitted under the Copyright, Designs and Patents Act 1988 no extract may be reproduced, stored in a retrieval system or transmitted in any form or by any means – electronic, photocopying, recording or otherwise – without prior written permission from BSI. Details and advice can be obtained from the Copyright & Licensing Department.

Useful Contacts:

Customer Services

Tel: +44 845 086 9001

Email (orders): orders@bsigroup.com

Email (enquiries): cservices@bsigroup.com

Subscriptions

Tel: +44 845 086 9001

Email: subscriptions@bsigroup.com

Knowledge Centre

Tel: +44 20 8996 7004

Email: knowledgecentre@bsigroup.com

Copyright & Licensing

Tel: +44 20 8996 7070

Email: copyright@bsigroup.com



...making excellence a habit.™